

# CoolSET™-F2

**ICE2A0565/165/265/365**

**ICE2B0565/165/265/365**

**ICE2A0565G**

**ICE2A0565Z**

**ICE2A180Z/280Z**

**ICE2A765I/2B765I**

**ICE2A765P2/2B765P2**

**ICE2A380P2**

Off-Line SMPS Current Mode  
Controller with integrated 650V/  
800V CoolMOS™

PMM Power Management  
& Multimarket



---

**CoolSET™-F2****Revision History:****2014-3-25****Datasheet**

---

Previous Version: 2.10

Page	Subjects (major changes since last revision)
4, 22, 24	revised typo

For questions on technology, delivery and prices please contact the Infineon Technologies Offices in Germany or the Infineon Technologies Companies and Representatives worldwide: see our webpage at <http://www.infineon.com>.

CoolMOS™, CoolSET™ are trademarks of Infineon Technologies AG.

**Edition 2014-3-25**

**Published by**  
**Infineon Technologies AG,**  
**81726 Munich, Germany,**  
**© 2014 Infineon Technologies AG.**  
**All Rights Reserved.**

**Legal disclaimer**

The information given in this document shall in no event be regarded as a guarantee of conditions or characteristics. With respect to any examples or hints given herein, any typical values stated herein and/or any information regarding the application of the device, Infineon Technologies hereby disclaims any and all warranties and liabilities of any kind, including without limitation, warranties of non-infringement of intellectual property rights of any third party.

**Information**

For further information on technology, delivery terms and conditions and prices, please contact your nearest Infineon Technologies Office ([www.infineon.com](http://www.infineon.com)).

**Warnings**

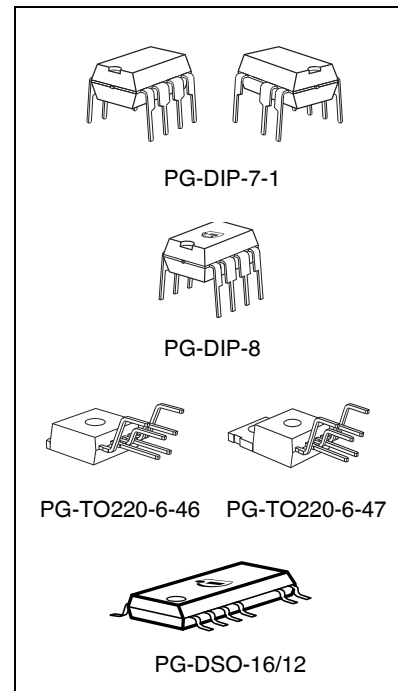
Due to technical requirements, components may contain dangerous substances. For information on the types in question, please contact your nearest Infineon Technologies Office.

Infineon Technologies Components may be used in life-support devices or systems only with the express written approval of Infineon Technologies, if a failure of such components can reasonably be expected to cause the failure of that life-support device or system or to affect the safety or effectiveness of that device or system. Life support devices or systems are intended to be implanted in the human body or to support and/or maintain and sustain and/or protect human life. If they fail, it is reasonable to assume that the health of the user or other persons may be endangered.

## Off-Line SMPS Current Mode Controller with integrated 650V/800V CoolMOS™

### Product Highlights

- Best in class in DIP8, DIP7, TO220 and DSO16/12 packages
- No heat-sink required for DIP8, DIP7 and DSO16/12 packages
- Increased creepage distance for TO220, DIP7 and DSO16/12
- Isolated drain for TO220 packages
- Lowest standby power dissipation
- Enhanced protection functions with Auto Restart Mode
- Pb-free plating, halogen free mold compound

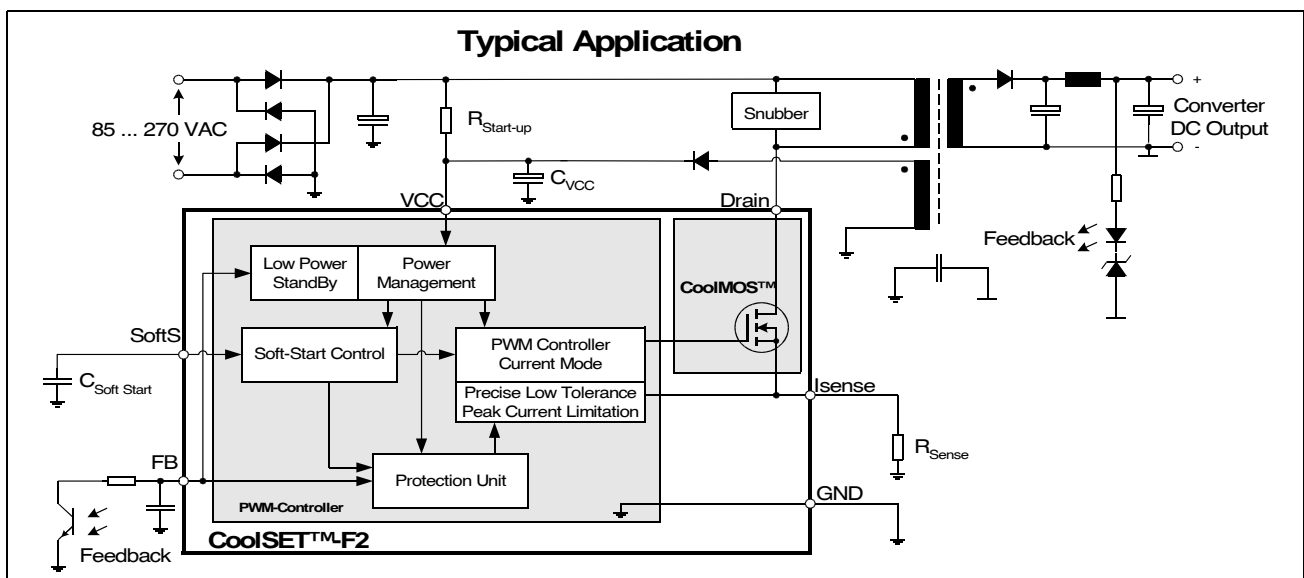


### Features

- 650V/800V avalanche rugged CoolMOS™
- Only few external components required
- Input Vcc Undervoltage Lockout
- 67kHz/100kHz switching frequency
- Max duty cycle 72%
- Low Power Standby Mode to meet European Commission Requirements
- Thermal Shut Down with Auto Restart
- Overload and Open Loop Protection
- Overvoltage Protection during Auto Restart
- Adjustable Peak Current Limitation via external resistor
- Overall tolerance of Current Limiting <math>< \pm 5\%</math>
- Internal Leading Edge Blanking
- User defined Soft Start
- Soft driving for low EMI

### Description

The second generation CoolSET™-F2 provides several special enhancements to satisfy the needs for low power standby and protection features. In standby mode frequency reduction is used to lower the power consumption and support a stable output voltage in this mode. The frequency reduction is limited to 20kHz/21.5 kHz to avoid audible noise. In case of failure modes like open loop, overvoltage or overload due to short circuit the device switches in Auto Restart Mode which is controlled by the internal protection unit. By means of the internal precise peak current limitation, the dimension of the transformer and the secondary diode can be sized lower which leads to more cost effective for the overall system.



**Overview**

Type	Package	V <sub>DS</sub>	F <sub>OSC</sub>	R <sub>DSon</sub> <sup>1)</sup>	230VAC ±15% <sup>2)</sup>	85-265 VAC <sup>2)</sup>
ICE2A0565	PG-DIP-8	650V	100kHz	4.7Ω	23W	13W
ICE2A165	PG-DIP-8	650V	100kHz	3.0Ω	31W	18W
ICE2A265	PG-DIP-8	650V	100kHz	0.9Ω	52W	32W
ICE2A365	PG-DIP-8	650V	100kHz	0.45Ω	67W	45W
ICE2B0565	PG-DIP-8	650V	67kHz	4.7Ω	23W	13W
ICE2B165	PG-DIP-8	650V	67kHz	3.0Ω	31W	18W
ICE2B265	PG-DIP-8	650V	67kHz	0.9Ω	52W	32W
ICE2B365	PG-DIP-8	650V	67kHz	0.45Ω	67W	45W
ICE2A0565Z	PG-DIP-7-1	650V	100kHz	4.7Ω	23W	13W
ICE2A180Z	PG-DIP-7-1	800V	100kHz	3.0Ω	29W	17W
ICE2A280Z	PG-DIP-7-1	800V	100KHz	0.8Ω	50W	31W

<sup>1)</sup> typ @ T=25°C

<sup>2)</sup> Maximum power rating at T<sub>a</sub>=75°C, T<sub>j</sub>=125°C and with copper area on PCB = 6cm<sup>2</sup>

Type	Package	V <sub>DS</sub>	F <sub>OSC</sub>	R <sub>DSon</sub> <sup>1)</sup>	230VAC ±15% <sup>2)</sup>	85-265 VAC <sup>2)</sup>
ICE2A0565G	PG-DSO-16/12	650V	100kHz	4.7Ω	23W	13W

<sup>1)</sup> typ @ T=25°C

<sup>2)</sup> Maximum power rating at T<sub>a</sub>=75°C, T<sub>j</sub>=125°C and with copper area on PCB = 6cm<sup>2</sup>

Type	Package	V <sub>DS</sub>	F <sub>OSC</sub>	R <sub>DSon</sub> <sup>1)</sup>	230VAC ±15% <sup>2)</sup>	85-265 VAC <sup>2)</sup>
ICE2A765I	PG-TO-220-6-46	650V	100kHz	0.45Ω	240W	130W
ICE2B765I	PG-TO-220-6-46	650V	67kHz	0.45Ω	240W	130W
ICE2A765P2	PG-TO-220-6-47	650V	100kHz	0.45Ω	240W	130W
ICE2B765P2	PG-TO-220-6-47	650V	67kHz	0.45Ω	240W	130W
ICE2A380P2	PG-TO-220-6-47	800V	100kHz	1.89Ω	111W	60W

<sup>1)</sup> typ @ T=25°C

<sup>2)</sup> Maximum practical continuous power in an open frame design at T<sub>a</sub>=75°C, T<sub>j</sub>=125°C and R<sub>thCA</sub>=2.7K/W

<b>Table of Contents</b>		<b>Page</b>
<b>1</b>	<b>Pin Configuration and Functionality</b> .....	6
1.1	Pin Configuration with PG-DIP-8 .....	6
1.2	Pin Configuration with PG-DIP-7-1 .....	6
1.3	Pin Configuration with PG-TO220-6-46/7 .....	7
1.4	Pin Configuration with PG-DSO-16/12 .....	7
1.5	Pin Functionality .....	8
<b>2</b>	<b>Representative Blockdiagram</b> .....	9
<b>3</b>	<b>Functional Description</b> .....	10
3.1	Power Management .....	10
3.2	Improved Current Mode .....	10
3.2.1	PWM-OP .....	11
3.2.2	PWM-Comparator .....	11
3.3	Soft-Start .....	12
3.4	Oscillator and Frequency Reduction .....	13
3.4.1	Oscillator .....	13
3.4.2	Frequency Reduction .....	13
3.5	Current Limiting .....	13
3.5.1	Leading Edge Blanking .....	13
3.5.2	Propagation Delay Compensation .....	14
3.6	PWM-Latch .....	14
3.7	Driver .....	14
3.8	Protection Unit (Auto Restart Mode) .....	15
3.8.1	Overload / Open Loop with Normal Load .....	15
3.8.2	Overvoltage due to Open Loop with No Load .....	16
3.8.3	Thermal Shut Down .....	16
<b>4</b>	<b>Electrical Characteristics</b> .....	17
4.1	Absolute Maximum Ratings .....	17
4.2	Thermal Impedance (ICE2X765I and ICE2X765P2) .....	20
4.3	Operating Range .....	20
4.4	Characteristics .....	21
4.4.1	Supply Section .....	21
4.4.2	Internal Voltage Reference .....	22
4.4.3	Control Section .....	22
4.4.4	Protection Unit .....	23
4.4.5	Current Limiting .....	23
4.4.6	CoolMOS™ Section .....	24
<b>5</b>	<b>Typical Performance Characteristics</b> .....	26
<b>6</b>	<b>Layout Recommendation for C<sub>18</sub></b> .....	32
<b>7</b>	<b>Outline Dimension</b> .....	33

**Pin Configuration and Functionality**
**1 Pin Configuration and Functionality**
**1.1 Pin Configuration with PG-DIP-8**

Pin	Symbol	Function
1	SoftS	Soft-Start
2	FB	Feedback
3	Isense	Controller Current Sense Input, CoolMOS™ Source Output
4	Drain	650V <sup>1)</sup> /800V <sup>2)</sup> CoolMOS™ Drain
5	Drain	650V <sup>1)</sup> /800V <sup>2)</sup> CoolMOS™ Drain
6	N.C	Not connected
7	VCC	Controller Supply Voltage
8	GND	Controller Ground

1) at T<sub>j</sub> = 110°C

2) at T<sub>j</sub> = 25°C

**1.2 Pin Configuration with PG-DIP-7-1**

Pin	Symbol	Function
1	SoftS	Soft-Start
2	FB	Feedback
3	Isense	Controller Current Sense Input, CoolMOS™ Source Output
4	N.C.	Not connected
5	Drain	650V <sup>1)</sup> /800V <sup>2)</sup> CoolMOS™ Drain
7	VCC	Controller Supply Voltage
8	GND	Controller Ground

1) at T<sub>j</sub> = 110°C

2) at T<sub>j</sub> = 25°C



Figure 1 Pin Configuration PG-DIP-8 (top view)

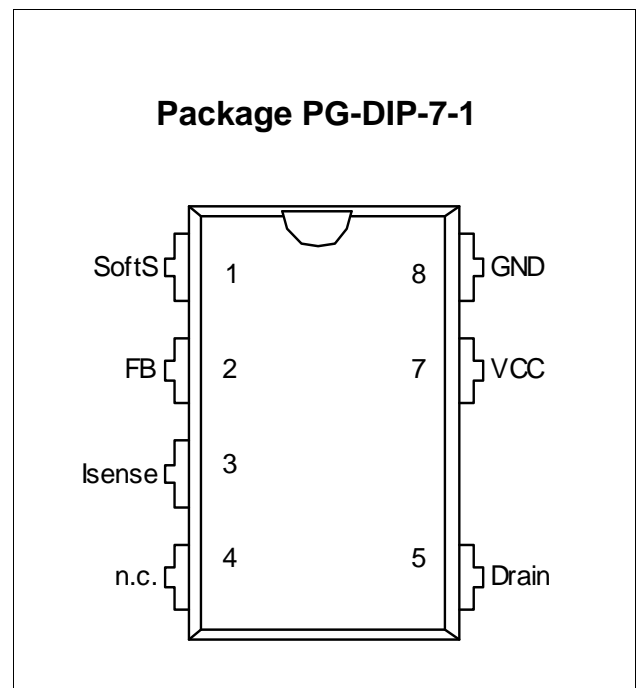


Figure 2 Pin Configuration PG-DIP-7-1 (top view)

**Pin Configuration and Functionality**
**1.3 Pin Configuration with PG-TO220-6-46/7**

Pin	Symbol	Function
1	Drain	650V <sup>1)</sup> CoolMOS™ Drain
3	Isense	Controller Current Sense Input, CoolMOS™ Source Output
4	GND	Controller Ground
5	VCC	Controller Supply Voltage
6	SoftS	Soft-Start
7	FB	Feedback

<sup>1)</sup> at  $T_j = 110^\circ\text{C}$



Figure 3 Pin Configuration PG-TO220-6-46/47 (top view)

**1.4 Pin Configuration with PG-DSO-16/12**

Pin	Symbol	Function
1	N.C.	Not Connected
2	SoftS	Soft-Start
3	FB	Feedback
4	Isense	Controller Current Sense Input, CoolMOS™ Source Output
5	Drain	650V <sup>1)</sup> CoolMOS™ Drain
6	Drain	650V <sup>1)</sup> CoolMOS™ Drain
7	Drain	650V <sup>1)</sup> CoolMOS™ Drain
8	Drain	650V <sup>1)</sup> CoolMOS™ Drain
9	N.C.	Not Connected
10	N.C.	Not Connected
11	VCC	Controller Supply Voltage
12	GND	Controller Ground

<sup>1)</sup> at  $T_j = 110^\circ\text{C}$

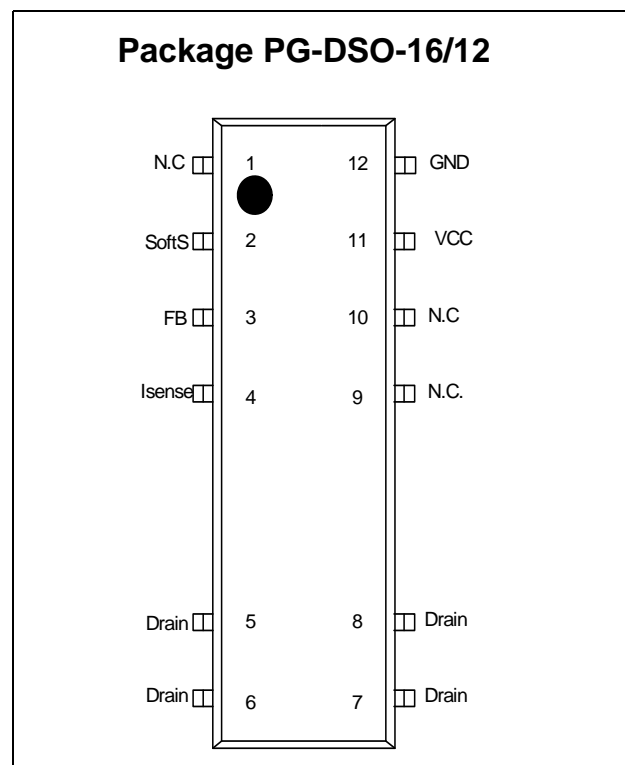


Figure 4 Pin Configuration PG-DSO-16/12 (top view)

---

## Pin Configuration and Functionality

### 1.5 Pin Functionality

#### **SoftS (Soft Start & Auto Restart Control)**

This pin combines the function of Soft Start in case of Start Up and Auto Restart Mode and the controlling of the Auto Restart Mode in case of an error detection.

#### **FB (Feedback)**

The information about the regulation is provided by the FB Pin to the internal Protection Unit and to the internal PWM-Comparator to control the duty cycle.

#### **Isense (Current Sense)**

The Current Sense pin senses the voltage developed on the series resistor inserted in the source of the integrated CoolMOS™. When Isense reaches the internal threshold of the Current Limit Comparator, the Driver output is disabled. By this means the Over Current Detection is realized.

Furthermore the current information is provided for the PWM-Comparator to realize the Current Mode.

#### **Drain (Drain of integrated CoolMOS™)**

Pin Drain is the connection to the Drain of the internal CoolMOS™.

#### **VCC (Power supply)**

This pin is the positive supply of the IC. The operating range is between 8.5V and 21V.

To provide overvoltage protection the driver gets disabled when the voltage becomes higher than 16.5V during Start Up Phase.

#### **GND (Ground)**

This pin is the ground of the primary side of the SMPS.



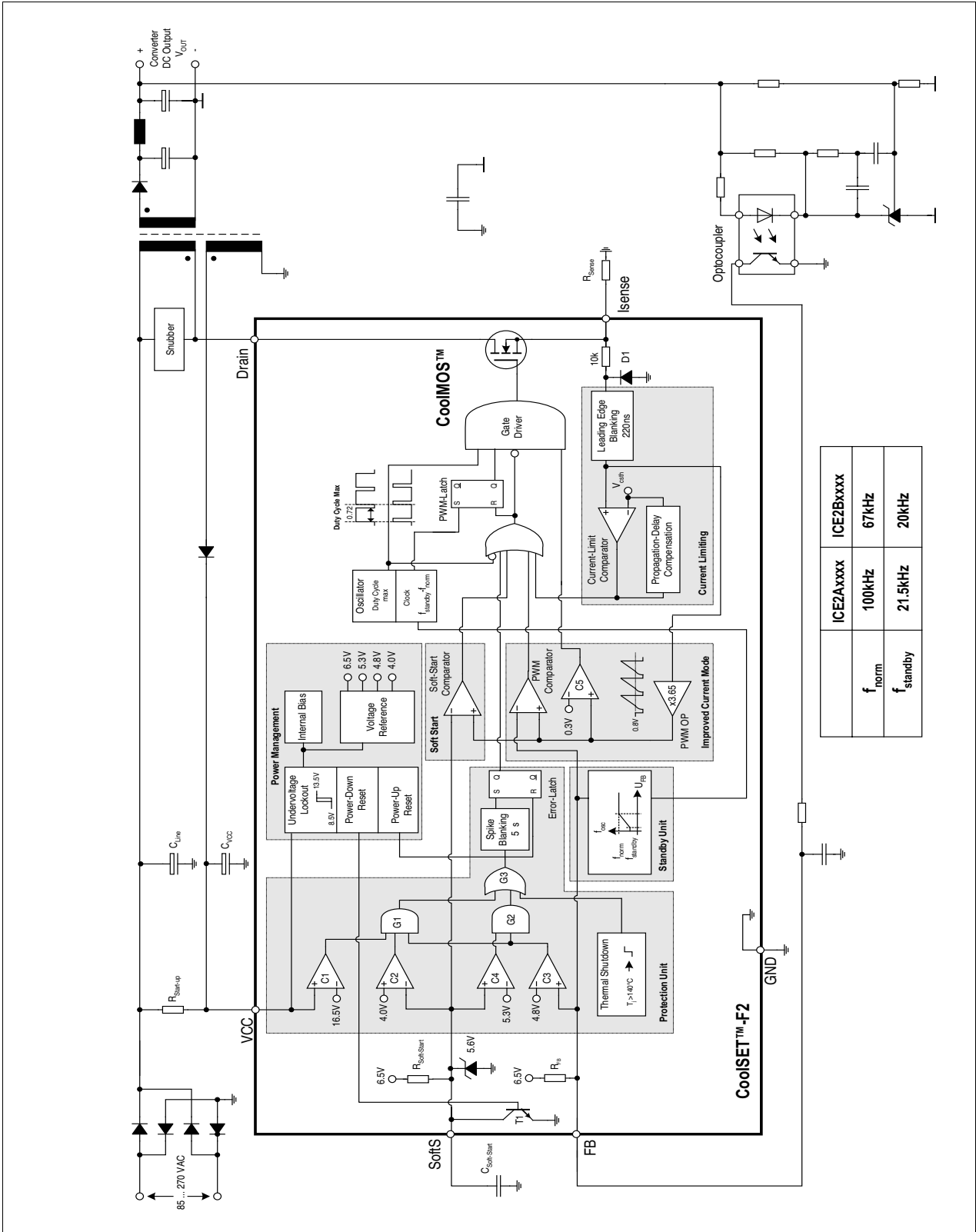
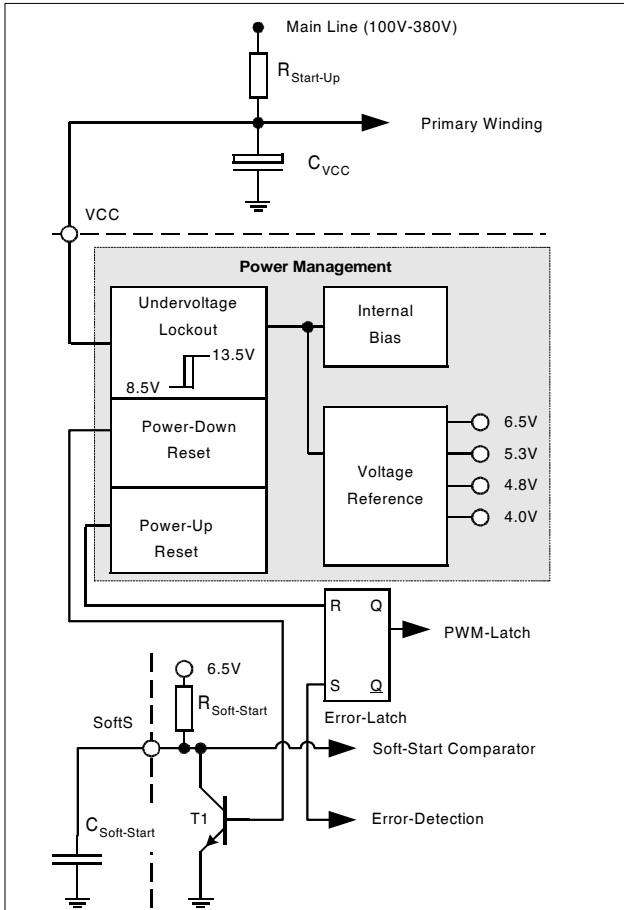
**Representative Blockdiagram**
**2 Representative Blockdiagram**


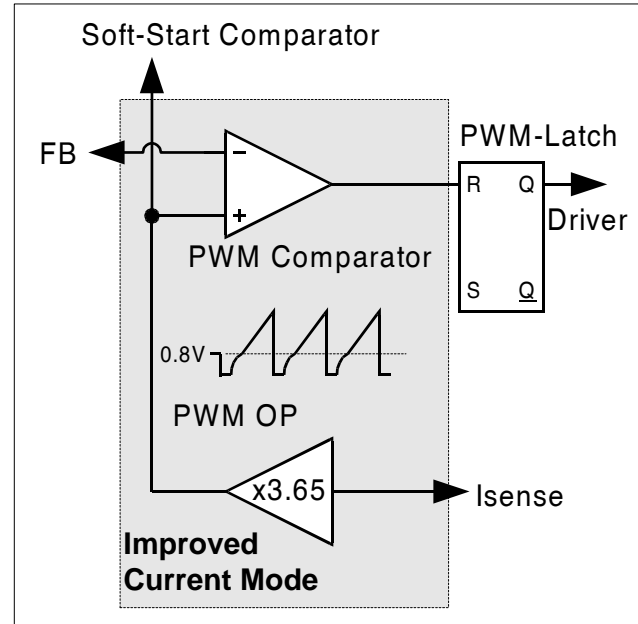
Figure 5 Representative Blockdiagram

**Functional Description**
**3 Functional Description**
**3.2 Improved Current Mode**
**3.1 Power Management**

**Figure 6 Power Management**

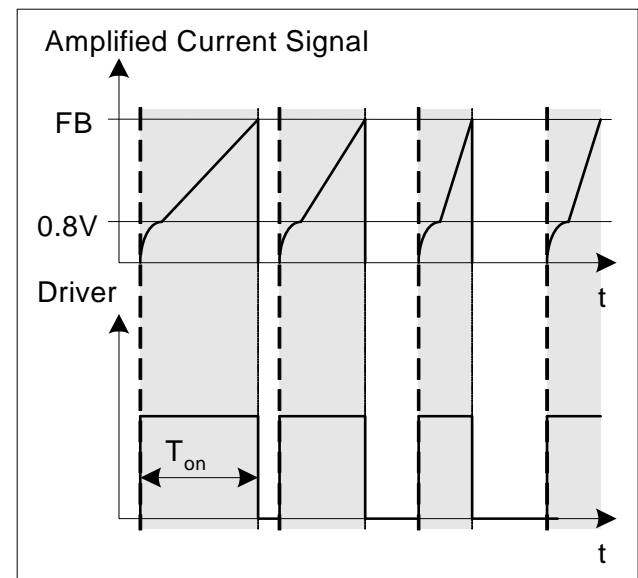
The Undervoltage Lockout monitors the external supply voltage  $V_{VCC}$ . In case the IC is inactive the current consumption is max.  $55\mu A$ . When the SMPS is plugged to the main line the current through  $R_{Start-up}$  charges the external Capacitor  $C_{VCC}$ . When  $V_{VCC}$  exceeds the on-threshold  $V_{CCon}=13.5V$  the internal bias circuit and the voltage reference are switched on. After that the internal bandgap generates a reference voltage  $V_{REF}=6.5V$  to supply the internal circuits. To avoid uncontrolled ringing at switch-on a hysteresis is implemented which means that switch-off is only after active mode when  $V_{cc}$  falls below  $8.5V$ .

In case of switch-on a Power Up Reset is done by resetting the internal error-latch in the protection unit.

When  $V_{VCC}$  falls below the off-threshold  $V_{CCoff}=8.5V$  the internal reference is switched off and the Power Down reset let T1 discharging the soft-start capacitor  $C_{Soft-Start}$  at pin SoftS. Thus it is ensured that at every switch-on the voltage ramp at pin SoftS starts at zero.


**Figure 7 Current Mode**

Current Mode means that the duty cycle is controlled by the slope of the primary current. This is done by comparison the FB signal with the amplified current sense signal.


**Figure 8 Pulse Width Modulation**

In case the amplified current sense signal exceeds the FB signal the on-time  $T_{on}$  of the driver is finished by resetting the PWM-Latch (see Figure 8).

The primary current is sensed by the external series resistor  $R_{Sense}$  inserted in the source of the integrated CoolMOS™. By means of Current Mode regulation, the

**Functional Description**

secondary output voltage is insensitive on line variations. Line variation changes the current waveform slope which controls the duty cycle.

The external  $R_{Sense}$  allows an individual adjustment of the maximum source current of the integrated CoolMOS™.

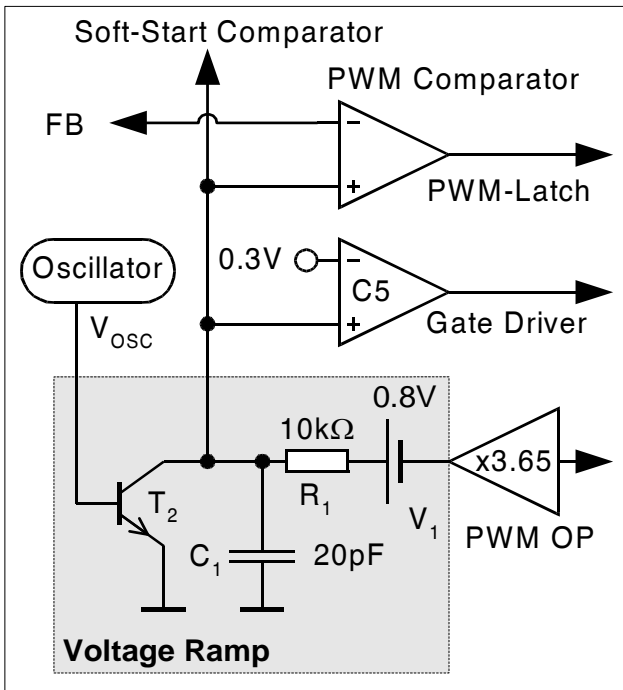


Figure 9 Improved Current Mode

To improve the Current Mode during light load conditions the amplified current ramp of the PWM-OP is superimposed on a voltage ramp, which is built by the switch  $T_2$ , the voltage source  $V_1$  and the 1st order low pass filter composed of  $R_1$  and  $C_1$  (see Figure 9, Figure 10). Every time the oscillator shuts down for max. duty cycle limitation the switch  $T_2$  is closed by  $V_{osc}$ . When the oscillator triggers the Gate Driver  $T_2$  is opened so that the voltage ramp can start.

In case of light load the amplified current ramp is so small to ensure a stable regulation. In that case the Voltage Ramp is a well defined signal for the comparison with the  $FB$ -signal. The duty cycle is then controlled by the slope of the Voltage Ramp.

By means of the Comparator  $C_5$ , the Gate Driver is switched-off until the voltage ramp exceeds 0.3V. It allows the duty cycle to be reduced continuously till 0% by decreasing  $V_{FB}$  below that threshold.

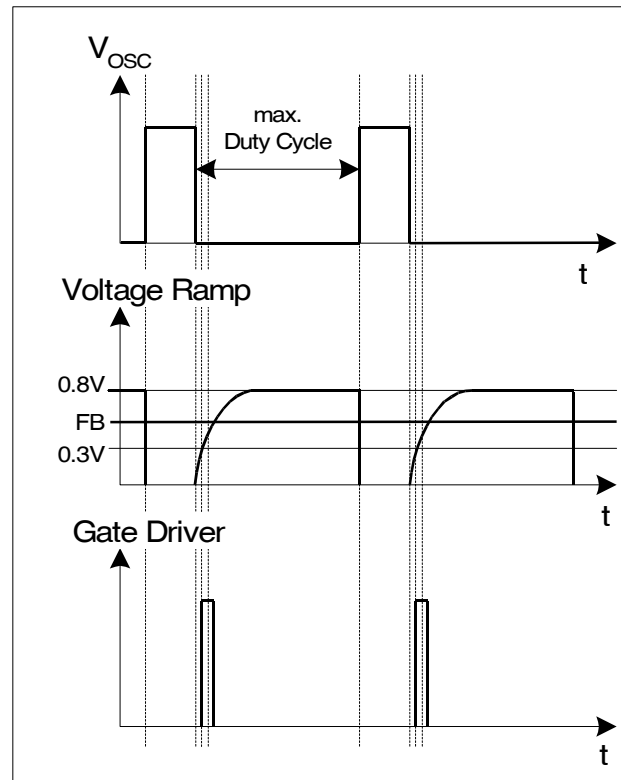


Figure 10 Light Load Conditions

**3.2.1 PWM-OP**

The input of the PWM-OP is applied over the internal leading edge blanking to the external sense resistor  $R_{Sense}$  connected to pin  $I_{sense}$ .  $R_{Sense}$  converts the source current into a sense voltage. The sense voltage is amplified with a gain of 3.65 by PWM OP. The output of the PWM-OP is connected to the voltage source  $V_1$ . The voltage ramp with the superimposed amplified current signal is fed into the positive inputs of the PWM-Comparator,  $C_5$  and the Soft-Start-Comparator.

**3.2.2 PWM-Comparator**

The PWM-Comparator compares the sensed current signal of the integrated CoolMOS™ with the feedback signal  $V_{FB}$  (see Figure 11).  $V_{FB}$  is created by an external optocoupler or external transistor in combination with the internal pull-up resistor  $R_{FB}$  and provides the load information of the feedback circuitry. When the amplified current signal of the integrated CoolMOS™ exceeds the signal  $V_{FB}$  the PWM-Comparator switches off the Gate Driver.

Functional Description



Figure 11 PWM Controlling

3.3 Soft-Start



Figure 12 Soft-Start Phase

The Soft-Start is realized by the internal pull-up resistor  $R_{Soft-Start}$  and the external Capacitor  $C_{Soft-Start}$  (see Figure 5). The Soft-Start voltage  $V_{SoftS}$  is generated by charging the external capacitor  $C_{Soft-Start}$  by the internal

pull-up resistor  $R_{Soft-Start}$ . The Soft-Start-Comparator compares the voltage at pin SoftS at the negative input with the ramp signal of the PWM-OP at the positive input. When Soft-Start voltage  $V_{SoftS}$  is less than Feedback voltage  $V_{FB}$  the Soft-Start-Comparator limits the pulse width by resetting the PWM-Latch (see Figure 12). In addition to Start-Up, Soft-Start is also activated at each restart attempt during Auto Restart. By means of the above mentioned  $C_{Soft-Start}$  the Soft-Start can be defined by the user. The Soft-Start is finished when  $V_{SoftS}$  exceeds 5.3V. At that time the Protection Unit is activated by Comparator C4 and senses the FB by Comparator C3 whether the voltage is below 4.8V which means that the voltage on the secondary side of the SMPS is settled. The internal Zener Diode at SoftS has a clamp voltage of 5.6V to prevent the internal circuit from saturation (see Figure 13).



Figure 13 Activation of Protection Unit

The Start-Up time  $T_{Start-Up}$  within the converter output voltage  $V_{OUT}$  is settled must be shorter than the Soft-Start Phase  $T_{Soft-Start}$  (see Figure 14).

$$C_{Soft-Start} = \frac{T_{Soft-Start}}{R_{Soft-Start} \times 1.69}$$

By means of Soft-Start there is an effective minimization of current and voltage stresses on the integrated CoolMOS™, the clamp circuit and the output

## Functional Description

overshoot and prevents saturation of the transformer during Start-Up.

reachable frequency is limited to 20kHz/21.5 kHz to avoid audible noise in any case.

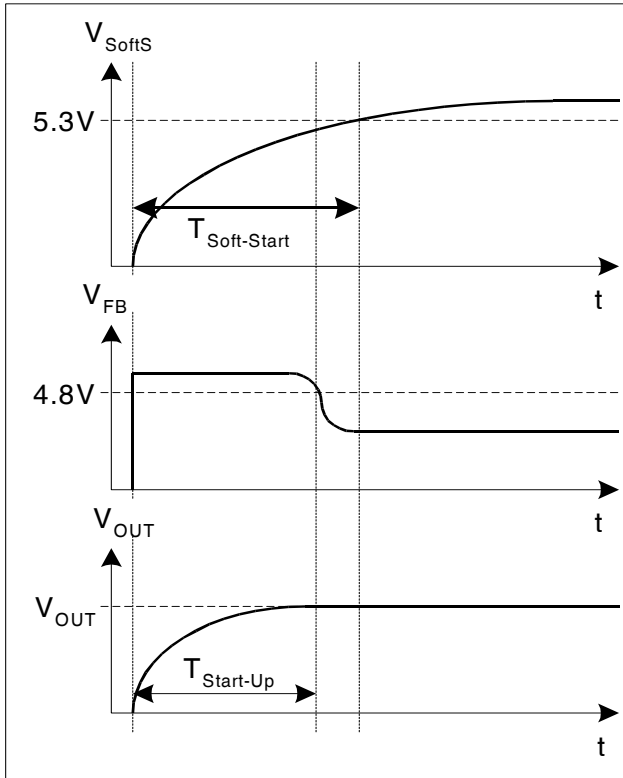


Figure 14 Start Up Phase

### 3.4 Oscillator and Frequency Reduction

#### 3.4.1 Oscillator

The oscillator generates a frequency  $f_{\text{switch}} = 67\text{kHz}/100\text{kHz}$ . A resistor, a capacitor and a current source and current sink which determine the frequency are integrated. The charging and discharging current of the implemented oscillator capacitor are internally trimmed, in order to achieve a very accurate switching frequency. The ratio of controlled charge to discharge current is adjusted to reach a max. duty cycle limitation of  $D_{\text{max}}=0.72$ .

#### 3.4.2 Frequency Reduction

The frequency of the oscillator is depending on the voltage at pin FB. The dependence is shown in Figure 15. This feature allows a power supply to operate at lower frequency at light loads thus lowering the switching losses while maintaining good cross regulation performance and low output ripple. In case of low power the power consumption of the whole SMPS can now be reduced very effective. The minimal

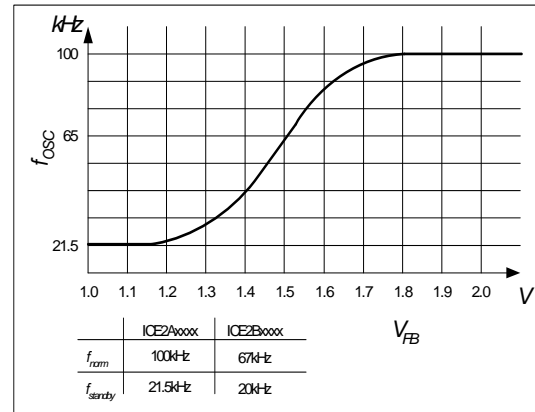


Figure 15 Frequency Dependence

### 3.5 Current Limiting

There is a cycle by cycle current limiting realized by the Current-Limit Comparator to provide an overcurrent detection. The source current of the integrated CoolMOS™ is sensed via an external sense resistor  $R_{\text{Sense}}$ . By means of  $R_{\text{Sense}}$  the source current is transformed to a sense voltage  $V_{\text{Sense}}$ . When the voltage  $V_{\text{Sense}}$  exceeds the internal threshold voltage  $V_{\text{csth}}$  the Current-Limit-Comparator immediately turns off the gate drive. To prevent the Current Limiting from distortions caused by leading edge spikes a Leading Edge Blanking is integrated at the Current Sense. Furthermore a Propagation Delay Compensation is added to support the immediate shut down of the CoolMOS™ in case of overcurrent.

#### 3.5.1 Leading Edge Blanking

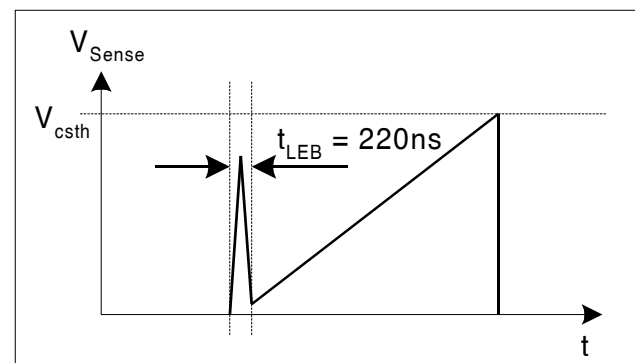


Figure 16 Leading Edge Blanking

Each time when CoolMOS™ is switched on a leading spike is generated due to the primary-side capacitances and secondary-side rectifier reverse recovery time. To avoid a premature termination of the

## Functional Description

switching pulse this spike is blanked out with a time constant of  $t_{LEB} = 220\text{ns}$ . During that time the output of the Current-Limit Comparator cannot switch off the gate drive.

### 3.5.2 Propagation Delay Compensation

In case of overcurrent detection by  $I_{Limit}$  the shut down of CoolMOS™ is delayed due to the propagation delay of the circuit. This delay causes an overshoot of the peak current  $I_{peak}$  which depends on the ratio of  $dI/dt$  of the peak current (see Figure 17).

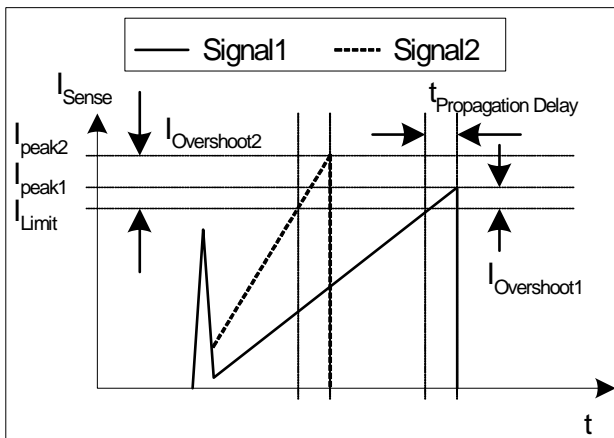


Figure 17 Current Limiting

The overshoot of Signal2 is bigger than of Signal1 due to the steeper rising waveform.

A propagation delay compensation is integrated to bound the overshoot dependent on  $dI/dt$  of the rising primary current. That means the propagation delay time between exceeding the current sense threshold  $V_{csth}$  and the switch off of CoolMOS™ is compensated over temperature within a range of at least.

$$0 \leq R_{Sense} \times \frac{dI_{peak}}{dt} \leq \frac{dV_{Sense}}{dt}$$

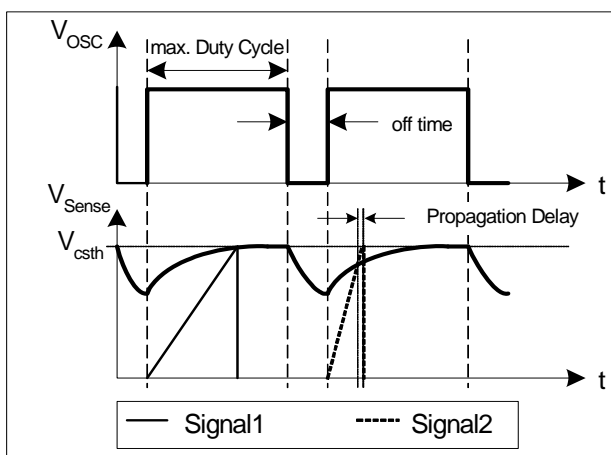


Figure 18 Dynamic Voltage Threshold  $V_{csth}$

The propagation delay compensation is done by means of a dynamic threshold voltage  $V_{csth}$  (see Figure 18). In case of a steeper slope the switch off of the driver is earlier to compensate the delay.

E.g.  $I_{peak} = 0.5\text{A}$  with  $R_{Sense} = 2$ . Without propagation delay compensation the current sense threshold is set to a static voltage level  $V_{csth} = 1\text{V}$ . A current ramp of  $dI/dt = 0.4\text{A}/\mu\text{s}$ , that means  $dV_{Sense}/dt = 0.8\text{V}/\mu\text{s}$ , and a propagation delay time of i.e.  $t_{Propagation Delay} = 180\text{ns}$  leads then to a  $I_{peak}$  overshoot of 14.4%. By means of propagation delay compensation the overshoot is only about 2% (see Figure 19).



Figure 19 Overcurrent Shutdown

### 3.6 PWM-Latch

The oscillator clock output applies a set pulse to the PWM-Latch when initiating CoolMOS™ conduction. After setting the PWM-Latch can be reset by the PWM-OP, the Soft-Start-Comparator, the Current-Limit-Comparator, Comparator C3 or the Error-Latch of the Protection Unit. In case of resetting the driver is shut down immediately.

### 3.7 Driver

The driver-stage drives the gate of the CoolMOS™ and is optimized to minimize EMI and to provide high circuit efficiency. This is done by reducing the switch on slope when reaching the CoolMOS™ threshold. This is achieved by a slope control of the rising edge at the driver's output (see Figure 20) to the CoolMOS™ gate. Thus the leading switch on spike is minimized. When CoolMOS™ is switched off, the falling shape of the driver is slowed down when reaching 2V to prevent an overshoot below ground. Furthermore the driver circuit is designed to eliminate cross conduction of the output stage. At voltages below the undervoltage lockout threshold  $V_{VCCoff}$  the gate drive is active low.



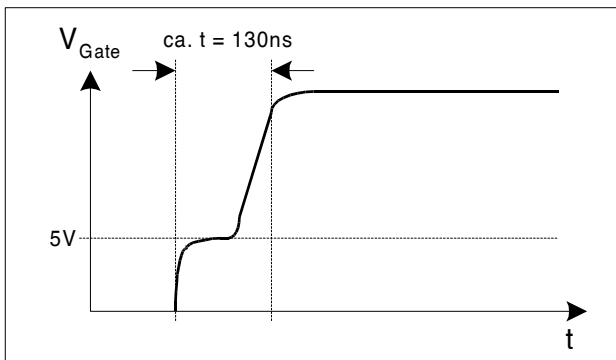
**Functional Description**


Figure 20 Internal Gate Rising Slope

### 3.8 Protection Unit (Auto Restart Mode)

An overload, open loop and overvoltage detection is integrated within the Protection Unit. These three failure modes are latched by an Error-Latch. Additional thermal shutdown is latched by the Error-Latch. In case of those failure modes the Error-Latch is set after a blanking time of 5µs and the CoolMOS™ is shut down. That blanking prevents the Error-Latch from distortions caused by spikes during operation mode.

#### 3.8.1 Overload / Open Loop with Normal Load

Figure 21 shows the Auto Restart Mode in case of overload or open loop with normal load. The detection of open loop or overload is provided by the Comparator C3, C4 and the AND-gate G2 (see Figure 22). The detection is activated by C4 when the voltage at pin SoftS exceeds 5.3V. Till this time the IC operates in the Soft-Start Phase. After this phase the comparator C3 can set the Error-Latch in case of open loop or overload which leads the feedback voltage  $V_{FB}$  to exceed the threshold of 4.8V. After latching VCC decreases till 8.5V and inactivates the IC. At this time the external Soft-Start capacitor is discharged by the internal transistor T1 due to Power Down Reset. When the IC is inactive  $V_{VCC}$  increases till  $V_{CCon} = 13.5V$  by charging the Capacitor  $C_{VCC}$  by means of the Start-Up Resistor  $R_{Start-Up}$ . Then the Error-Latch is reset by Power Up Reset and the external Soft-Start capacitor  $C_{Soft-Start}$  is charged by the internal pull-up resistor  $R_{Soft-Start}$ . During the Soft-Start Phase which ends when the voltage at pin SoftS exceeds 5.3V the detection of overload and open loop by C3 and G2 is inactive. In this way the Start Up Phase is not detected as an overload.

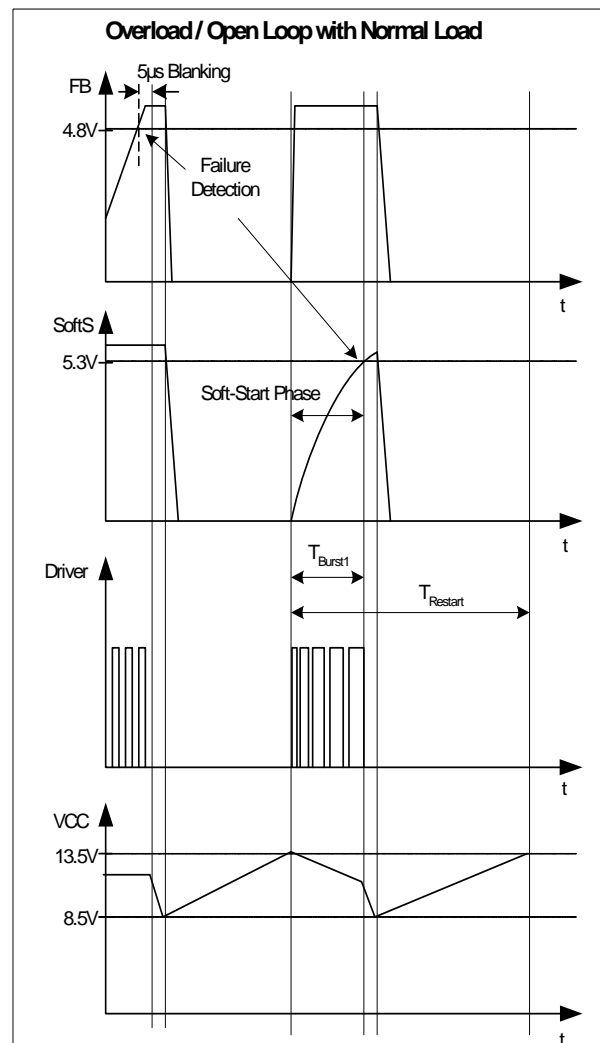


Figure 21 Auto Restart Mode

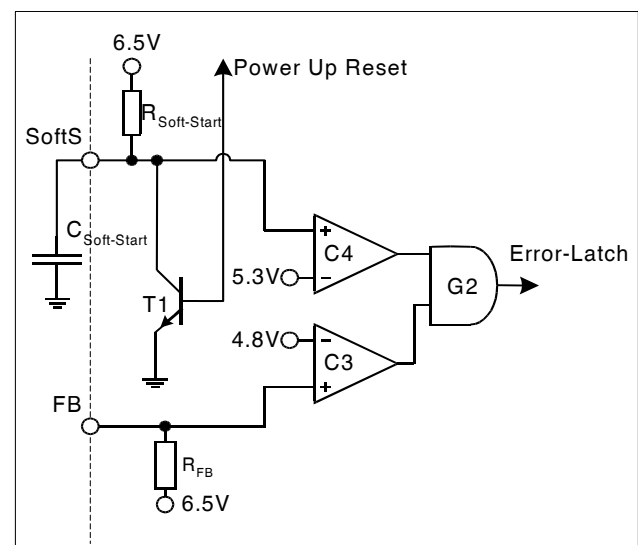


Figure 22 FB-Detection

## Functional Description

But the Soft-Start Phase must be finished within the Start Up Phase to force the voltage at pin FB below the failure detection threshold of 4.8V.

normal operation mode is prevented from overvoltage detection due to varying of VCC concerning the regulation of the converter output. When the voltage  $V_{SoftS}$  is above 4.0V the overvoltage detection by C1 is deactivated.

### 3.8.2 Overvoltage due to Open Loop with No Load

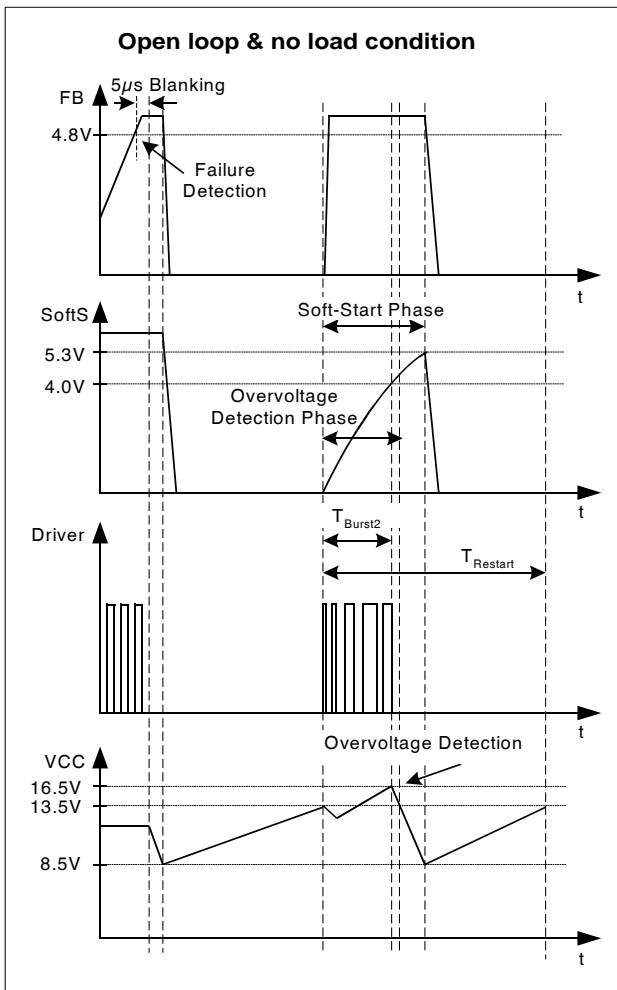


Figure 23 Auto Restart Mode

Figure 23 shows the Auto Restart Mode for open loop and no load condition. In case of this failure mode the converter output voltage increases and also VCC. An additional protection by the comparators C1, C2 and the AND-gate G1 is implemented to consider this failure mode (see Figure 24). The overvoltage detection is provided by Comparator C1 only in the first time during the Soft-Start Phase till the Soft-Start voltage exceeds the threshold of the Comparator C2 at 4.0V and the voltage at pin FB is above 4.8V. When VCC exceeds 16.5V during the overvoltage detection phase C1 can set the Error-Latch and the Burst Phase during Auto Restart Mode is finished earlier. In that case  $T_{Burst2}$  is shorter than  $T_{Soft-Start}$ . By means of C2 the

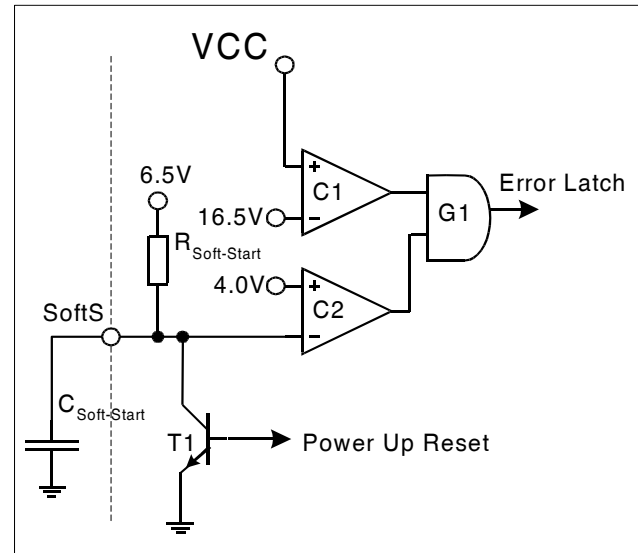


Figure 24 Overvoltage Detection

### 3.8.3 Thermal Shut Down

Thermal Shut Down is latched by the Error-Latch when junction temperature  $T_j$  of the pwm-controller is exceeding an internal threshold of 140°C. In that case the IC switches in Auto Restart Mode.

*Note:* All the values which are mentioned in the functional description are typical. Please refer to Electrical Characteristics for min/max limit values.



**Electrical Characteristics**

## 4 Electrical Characteristics

### 4.1 Absolute Maximum Ratings

Note: Absolute maximum ratings are defined as ratings, which when being exceeded may lead to destruction of the integrated circuit. For the same reason make sure, that any capacitor that will be connected to pin 6 (VCC) is discharged before assembling the application circuit.

Parameter	Symbol	Limit Values		Unit	Remarks	
		min.	max.			
Drain Source Voltage ICE2A0565/165/265/365/765I/765P2 ICE2B0565/165/265/365/765I/765P2 ICE2A0565G ICE2A0565Z	$V_{DS}$	-	650	V	$T_j = 110^\circ\text{C}$	
Drain Source Voltage ICE2A180Z/280Z/380P2	$V_{DS}$	-	800	V	$T_j = 25^\circ\text{C}$	
Pulsed drain current, $t_p$ limited by $T_{jmax}$	ICE2A0565/ ICE2B056/ ICE2A0565G/ ICE2A0565Z	$I_{D\_Puls1}$		2.0	A	
	ICE2A165/ ICE2B165	$I_{D\_Puls2}$		3.8	A	
	ICE2A265/ ICE2B265	$I_{D\_Puls3}$		9.8	A	
	ICE2A365/ ICE2B365	$I_{D\_Puls4}$		23.3	A	
	ICE2A180Z	$I_{D\_Puls5}$		4.1	A	
	ICE2A280Z	$I_{D\_Puls6}$		14.8	A	
	ICE2A765P2/ ICE2B765P2/ ICE2A765I/ ICE2B765I	$I_{D\_Puls7}$		19.0	A	
	ICE2A380P2	$I_{D\_Puls8}$		5.7	A	

**Electrical Characteristics**

Parameter		Symbol	Limit Values		Unit	Remarks
			min.	max.		
Avalanche energy, repetitive $t_{AR}$ limited by max. $T_j=150^\circ\text{C}^{1)}$	ICE2A0565	$E_{AR1}$	-	0.01	mJ	
	ICE2A165	$E_{AR2}$	-	0.07	mJ	
	ICE2A265	$E_{AR3}$	-	0.40	mJ	
	ICE2A365	$E_{AR4}$	-	0.50	mJ	
	ICE2B0565	$E_{AR5}$	-	0.01	mJ	
	ICE2B165	$E_{AR6}$	-	0.07	mJ	
	ICE2B265	$E_{AR7}$	-	0.40	mJ	
	ICE2B365	$E_{AR8}$	-	0.50	mJ	
	ICE2A0565G	$E_{AR9}$	-	0.01	mJ	
	ICE2A0565Z	$E_{AR10}$	-	0.01	mJ	
	ICE2A180Z	$E_{AR11}$	-	0.07	mJ	
	ICE2A280Z	$E_{AR12}$	-	0.40	mJ	
	ICE2A765I	$E_{AR13}$	-	0.50	mJ	
	ICE2B765I	$E_{AR14}$	-	0.50	mJ	
	ICE2A765P2	$E_{AR15}$	-	0.50	mJ	
	ICE2B765P2	$E_{AR16}$	-	0.50	mJ	
	ICE2A380P2	$E_{AR17}$	-	0.06	mJ	

<sup>1)</sup> Repetitive avalanche causes additional power losses that can be calculated as  $P_{AV}=E_{AR} * f$

**Electrical Characteristics**

Parameter	Symbol	Limit Values		Unit	Remarks	
		min.	max.			
Avalanche current, repetitive tAR limited by max. $T_j=150^{\circ}\text{C}$	ICE2A0565	$I_{AR1}$	-	0.5	A	
	ICE2A165	$I_{AR2}$	-	1	A	
	ICE2A265	$I_{AR3}$	-	2	A	
	ICE2A365	$I_{AR4}$	-	3	A	
	ICE2B0565	$I_{AR5}$	-	0.5	A	
	ICE2B165	$I_{AR6}$	-	1	A	
	ICE2B265	$I_{AR7}$	-	2	A	
	ICE2B365	$I_{AR8}$	-	3	A	
	ICE2A0565G	$I_{AR9}$	-	0.5	A	
	ICE2A0565Z	$I_{AR10}$	-	0.5	A	
	ICE2A180Z	$I_{AR11}$	-	1	A	
	ICE2A280Z	$I_{AR12}$	-	2	A	
	ICE2A765I	$I_{AR13}$	-	7	A	
	ICE2B765I	$I_{AR14}$	-	7	A	
	ICE2A765P2	$I_{AR15}$	-	7	A	
	ICE2B765P2	$I_{AR16}$	-	7	A	
	ICE2A380P2	$I_{AR17}$	-	2.4	A	
$V_{CC}$ Supply Voltage	$V_{CC}$	-0.3	22	V		
FB Voltage	$V_{FB}$	-0.3	6.5	V		
SoftS Voltage	$V_{SoftS}$	-0.3	6.5	V		
$I_{Sense}$	$I_{Sense}$	-0.3	3	V		
Junction Temperature	$T_j$	-40	150	$^{\circ}\text{C}$	Controller & CoolMOS™	
Storage Temperature	$T_S$	-50	150	$^{\circ}\text{C}$		
Thermal Resistance Junction-Ambient	$R_{thJA1}$	-	90	K/W	PG-DIP-8	
	$R_{thJA2}$	-	96	K/W	PG-DIP-7-1	
	$R_{thJA3}$	-	110	K/W	P-DSO-16/12	
ESD Robustness <sup>1)</sup>	$V_{ESD}$	-	2 <sup>2)</sup>	kV	Human Body Model	

1) Equivalent to discharging a 100pF capacitor through a 1.5 kW series resistor

2) 1kV at pin drain of ICE2x0565, ICE2A0565Z and ICE2A0565G

**Electrical Characteristics**
**4.2 Thermal Impedance (ICE2X765I and ICE2X765P2)**

Parameter		Symbol	Limit Values		Unit	Remarks
			min.	max.		
Thermal Resistance Junction-Ambient	ICE2A765I ICE2B765I ICE2A765P2 ICE2B765P2	$R_{thJA4}$	-	74	K/W	Free standing with no heat-sink
	ICE2A380P2	$R_{thJA5}$	-	82	K/W	
Junction-Case	ICE2A765I ICE2B765I ICE2A765P2 ICE2B765P2	$R_{thJC1}$	-	2.5	K/W	
	ICE2A380P2	$R_{thJC2}$	-	2.86	K/W	

**4.3 Operating Range**

Note: Within the operating range the IC operates as described in the functional description.

Parameter	Symbol	Limit Values		Unit	Remarks
		min.	max.		
$V_{CC}$ Supply Voltage	$V_{CC}$	$V_{CCoff}$	21	V	
Junction Temperature of Controller	$T_{JCon}$	-25	130	°C	Limited due to thermal shut down of controller
Junction Temperature of CoolMOS™	$T_{JCoolMOS}$	-25	150	°C	

**Electrical Characteristics**
**4.4 Characteristics**

*Note: The electrical characteristics involve the spread of values given within the specified supply voltage and junction temperature range  $T_J$  from  $-25\text{ }^\circ\text{C}$  to  $125\text{ }^\circ\text{C}$ . Typical values represent the median values, which are related to  $25\text{ }^\circ\text{C}$ . If not otherwise stated, a supply voltage of  $V_{CC} = 15\text{ V}$  is assumed.*

**4.4.1 Supply Section**

Parameter		Symbol	Limit Values			Unit	Test Condition
			min.	typ.	max.		
Start Up Current		$I_{VCC1}$	-	27	55	$\mu\text{A}$	$V_{CC} = V_{CCon} - 0.1\text{V}$
Supply Current with Inactive Gate		$I_{VCC2}$	-	5.0	6.6	$\text{mA}$	$V_{SoftS} = 0$ $I_{FB} = 0$
Supply Current with Active Gate	ICE2A0565	$I_{VCC3}$	-	5.3	6.7	$\text{mA}$	$V_{SoftS} = 5\text{V}$ $I_{FB} = 0$
	ICE2A165	$I_{VCC4}$	-	6.5	7.8	$\text{mA}$	
	ICE2A265	$I_{VCC5}$	-	6.7	8.0	$\text{mA}$	
	ICE2A365	$I_{VCC6}$	-	8.5	9.8	$\text{mA}$	
	ICE2B0565	$I_{VCC7}$	-	5.2	6.7	$\text{mA}$	
	ICE2B165	$I_{VCC8}$	-	5.5	7.0	$\text{mA}$	
	ICE2B265	$I_{VCC9}$	-	6.1	7.3	$\text{mA}$	
	ICE2B365	$I_{VCC10}$	-	7.1	8.3	$\text{mA}$	
	ICE2A0565G	$I_{VCC11}$	-	5.3	6.7	$\text{mA}$	
	ICE2A0565Z	$I_{VCC12}$	-	5.3	6.7	$\text{mA}$	
	ICE2A180Z	$I_{VCC13}$	-	6.5	7.8	$\text{mA}$	
	ICE2A280Z	$I_{VCC14}$	-	7.7	9.0	$\text{mA}$	
Supply Current with Active Gate	ICE2A765I	$I_{VCC15}$	-	8.5	9.8	$\text{mA}$	$V_{SoftS} = 5\text{V}$ $I_{FB} = 0$
	ICE2B765I	$I_{VCC16}$	-	7.1	8.3	$\text{mA}$	
	ICE2A765P2	$I_{VCC17}$	-	8.5	9.8	$\text{mA}$	
	ICE2B765P2	$I_{VCC18}$	-	7.1	8.3	$\text{mA}$	
	ICE2A380P2	$I_{VCC19}$	-	6.7	8.0	$\text{mA}$	
VCC Turn-On Threshold	$V_{CCon}$	13	13.5	14	$\text{V}$		
VCC Turn-Off Threshold	$V_{CCoff}$	-	8.5	-	$\text{V}$		
VCC Turn-On/Off Hysteresis	$V_{CCHY}$	4.5	5	5.5	$\text{V}$		

**Electrical Characteristics**
**4.4.2 Internal Voltage Reference**

Parameter	Symbol	Limit Values			Unit	Test Condition
		min.	typ.	max.		
Trimmed Reference Voltage	$V_{REF}$	6.37	6.50	6.63	V	measured at pin FB

**4.4.3 Control Section**

Parameter	Symbol	Limit Values			Unit	Test Condition
		min.	typ.	max.		
Oscillator Frequency ICE2A0565/165/265/365/765I/765P2 ICE2A0565G/0565Z/180Z/280Z/380P2	$f_{OSC1}$	93	100	107	kHz	$V_{FB} = 4V$
Oscillator Frequency ICE2B0565/165/265/365/765I/765P2	$f_{OSC3}$	62	67	72	kHz	$V_{FB} = 4V$
Reduced Osc. Frequency ICE2A0565/165/265/365/765I/765P2 ICE2A0565G/0565Z/180Z/280Z/380P2	$f_{OSC2}$	-	21.5	-	kHz	$V_{FB} = 1V$
Reduced Osc. Frequency ICE2B0565/165/265/365/765I/765P2	$f_{OSC4}$	-	20	-	kHz	$V_{FB} = 1V$
Frequency Ratio $f_{OSC1}/f_{OSC2}$ ICE2A0565/165/265/365/765I/765P2 ICE2A0565G/0565Z/180Z/280Z/380P2		4.5	4.65	4.9		
Frequency Ratio $f_{OSC3}/f_{OSC4}$ ICE2B0565/165/265/365/765I/765P2		3.18	3.35	3.53		
Max Duty Cycle	$D_{max}$	0.67	0.72	0.77		
Min Duty Cycle	$D_{min}$	0	-	-		$V_{FB} < 0.3V$
PWM-OP Gain	$A_V$	3.45	3.65	3.85		
$V_{FB}$ Operating Range Min Level	$V_{FBmin}$	0.3	-	-	V	
$V_{FB}$ Operating Range Max level	$V_{FBmax}$	-	-	4.6	V	
Feedback Resistance	$R_{FB}$	3.0	3.7	4.9	k $\Omega$	
Soft-Start Resistance	$R_{Soft-Start}$	42	50	62	k $\Omega$	

**Electrical Characteristics**
**4.4.4 Protection Unit**

Parameter	Symbol	Limit Values			Unit	Test Condition
		min.	typ.	max.		
Over Load & Open Loop Detection Limit	$V_{FB2}$	4.65	4.8	4.95	V	$V_{SoftS} > 5.5V$
Activation Limit of Overload & Open Loop Detection	$V_{SoftS1}$	5.15	5.3	5.46	V	$V_{FB} > 5V$
Deactivation Limit of Overvoltage Detection	$V_{SoftS2}$	3.88	4.0	4.12	V	$V_{FB} > 5V$ $V_{CC} > 17.5V$
Overvoltage Detection Limit	$V_{VCC1}$	16	16.5	17.2	V	$V_{SoftS} < 3.8V$ $V_{FB} > 5V$
Latched Thermal Shutdown	$T_{JSD}$	130	140	150	°C	1)
Spike Blanking	$t_{Spike}$	-	5	-	µs	

1) The parameter is not subject to production test - verified by design/characterization

**4.4.5 Current Limiting**

Parameter	Symbol	Limit Values			Unit	Test Condition
		min.	typ.	max.		
Peak Current Limitation (incl. Propagation Delay Time)	$V_{csth}$	0.95	1.0	1.05	V	$dV_{sense} / dt = 0.6V/ms$
Leading Edge Blanking	$t_{LEB}$	-	220	-	ns	

**Electrical Characteristics**
**4.4.6 CoolMOS™ Section**

Parameter	Symbol	Limit Values			Unit	Test Condition	
		min.	typ.	max.			
Drain Source Breakdown Voltage ICE2A0565/165/265/365/765I/765P2 ICE2B0565/165/265/365/765I/765P2 ICE2A0565G/0565Z	$V_{(BR)DSS}$	600	-	-	V	$T_j=25^\circ\text{C}$	
		650	-	-	V	$T_j=110^\circ\text{C}$	
Drain Source Breakdown Voltage ICE2A180Z/280Z/380P2	$V_{(BR)DSS}$	800	-	-	V	$T_j=25^\circ\text{C}$	
		870	-	-	V	$T_j=110^\circ\text{C}$	
Drain Source On-Resistance	ICE2A0565	$R_{DSon1}$	- -	4.7 10.0	5.5 12.5	$\Omega$ $\Omega$	$T_j=25^\circ\text{C}$ $T_j=125^\circ\text{C}$
	ICE2A165	$R_{DSon2}$	- -	3 6.6	3.3 7.3	$\Omega$ $\Omega$	$T_j=25^\circ\text{C}$ $T_j=125^\circ\text{C}$
	ICE2A265	$R_{DSon3}$	- -	0.9 1.9	1.08 2.28	$\Omega$ $\Omega$	$T_j=25^\circ\text{C}$ $T_j=125^\circ\text{C}$
	ICE2A365	$R_{DSon4}$	- -	0.45 0.95	0.54 1.14	$\Omega$ $\Omega$	$T_j=25^\circ\text{C}$ $T_j=125^\circ\text{C}$
	ICE2B0565	$R_{DSon5}$	- -	4.7 10.0	5.5 12.5	$\Omega$ $\Omega$	$T_j=25^\circ\text{C}$ $T_j=125^\circ\text{C}$
	ICE2B165	$R_{DSon6}$	- -	3 6.6	3.3 7.3	$\Omega$ $\Omega$	$T_j=25^\circ\text{C}$ $T_j=125^\circ\text{C}$
	ICE2B265	$R_{DSon7}$	- -	0.9 1.9	1.08 2.28	$\Omega$ $\Omega$	$T_j=25^\circ\text{C}$ $T_j=125^\circ\text{C}$
	ICE2B365	$R_{DSon8}$	- -	0.45 0.95	0.54 1.14	$\Omega$ $\Omega$	$T_j=25^\circ\text{C}$ $T_j=125^\circ\text{C}$
	ICE2A0565G	$R_{DSon9}$	- -	4.7 10.0	5.5 12.5	$\Omega$ $\Omega$	$T_j=25^\circ\text{C}$ $T_j=125^\circ\text{C}$
	ICE2A0565Z	$R_{DSon10}$	- -	4.7 10.0	5.5 12.5	$\Omega$ $\Omega$	$T_j=25^\circ\text{C}$ $T_j=125^\circ\text{C}$
	ICE2A180Z	$R_{DSon11}$	- -	3 6.6	3.3 7.3	$\Omega$ $\Omega$	$T_j=25^\circ\text{C}$ $T_j=125^\circ\text{C}$
	ICE2A280Z	$R_{DSon12}$	- -	0.8 1.7	1.06 2.04	$\Omega$ $\Omega$	$T_j=25^\circ\text{C}$ $T_j=125^\circ\text{C}$
	ICE2A765I	$R_{DSon13}$	- -	0.45 0.95	0.54 1.14	$\Omega$ $\Omega$	$T_j=25^\circ\text{C}$ $T_j=125^\circ\text{C}$
	ICE2B765I	$R_{DSon14}$	- -	0.45 0.95	0.54 1.14	$\Omega$ $\Omega$	$T_j=25^\circ\text{C}$ $T_j=125^\circ\text{C}$
	ICE2A765P2	$R_{DSon15}$	- -	0.45 0.95	0.54 1.14	$\Omega$ $\Omega$	$T_j=25^\circ\text{C}$ $T_j=125^\circ\text{C}$
	ICE2B765P2	$R_{DSon16}$	- -	0.45 0.95	0.54 1.14	$\Omega$ $\Omega$	$T_j=25^\circ\text{C}$ $T_j=125^\circ\text{C}$
	ICE2A380P2	$R_{DSon17}$	- -	1.89 4.15	2.27 4.98	$\Omega$ $\Omega$	$T_j=25^\circ\text{C}$ $T_j=125^\circ\text{C}$



**Electrical Characteristics**

Parameter	Symbol	Limit Values			Unit	Test Condition	
		min.	typ.	max.			
Effective output capacitance, energy related	ICE2A0565	$C_{o(er)1}$	-	4.751	-	pF	$V_{DS} = 0V$ to 480V
	ICE2A165	$C_{o(er)2}$	-	7	-	pF	
	ICE2A265	$C_{o(er)3}$	-	21	-	pF	
	ICE2A365	$C_{o(er)4}$	-	30	-	pF	
	ICE2B0565	$C_{o(er)5}$	-	4.751	-	pF	
	ICE2B165	$C_{o(er)6}$	-	7	-	pF	
	ICE2B265	$C_{o(er)7}$	-	21	-	pF	
	ICE2B365	$C_{o(er)8}$	-	30	-	pF	
	ICE2A0565G	$C_{o(er)9}$	-	4.751	-	pF	
	ICE2A0565Z	$C_{o(er)10}$	-	4.751	-	pF	
	ICE2A180Z	$C_{o(er)11}$	-	7	-	pF	
	ICE2A280Z	$C_{o(er)12}$	-	22	-	pF	
	ICE2A765I	$C_{o(er)13}$	-	30	-	pF	
	ICE2B765I	$C_{o(er)14}$	-	30	-	pF	
	ICE2A765P2	$C_{o(er)15}$	-	30	-	pF	
	ICE2B765P2	$C_{o(er)16}$	-	30	-	pF	
	ICE2A380P2	$C_{o(er)17}$	-	16.8	-	pF	
Zero Gate Voltage Drain Current	$I_{DSS}$	-	0.5	-	$\mu A$	$V_{VCC} = 0V$	
Rise Time	$t_{rise}$	-	30 <sup>1)</sup>	-	ns		
Fall Time	$t_{fall}$	-	30 <sup>1)</sup>	-	ns		

1) Measured in a Typical Flyback Converter Application

## 5 Typical Performance Characteristics

### Typical Performance Characteristics

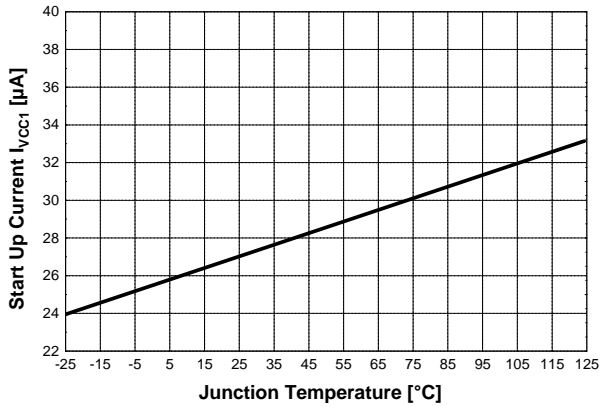


Figure 25 Start Up Current  $I_{VCC1}$  vs.  $T_j$

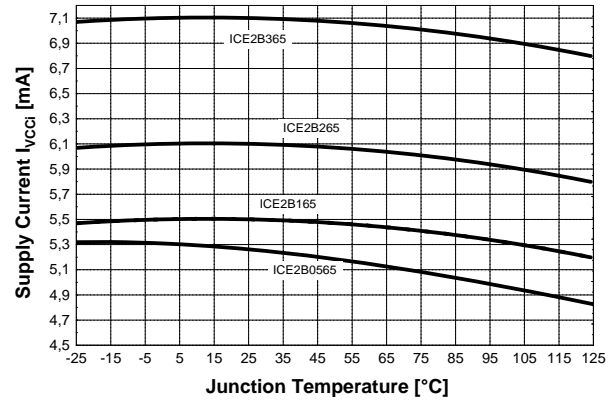


Figure 28 Supply Current  $I_{VCC1}$  vs.  $T_j$



Figure 26 Static Supply Current  $I_{VCC2}$  vs.  $T_j$



Figure 29 Supply Current  $I_{VCC1}$  vs.  $T_j$



Figure 27 Supply Current  $I_{VCC1}$  vs.  $T_j$

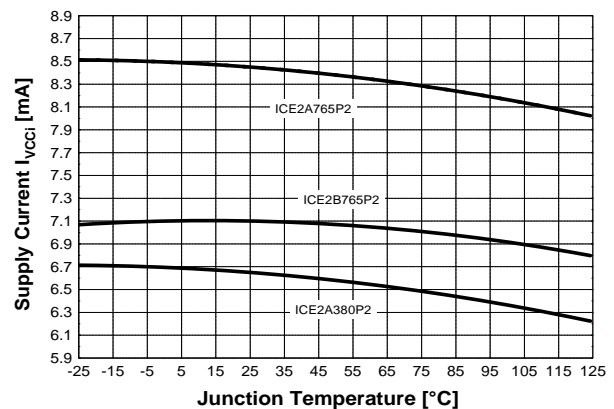
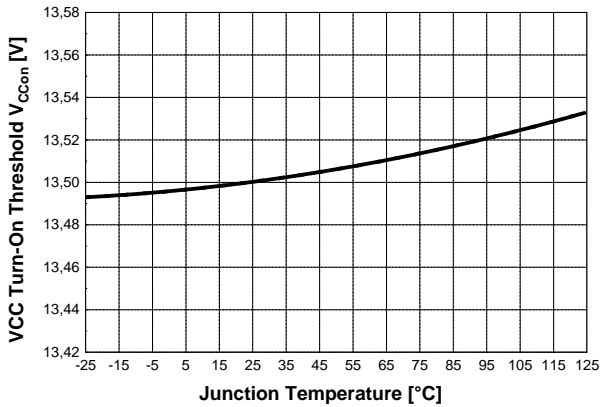
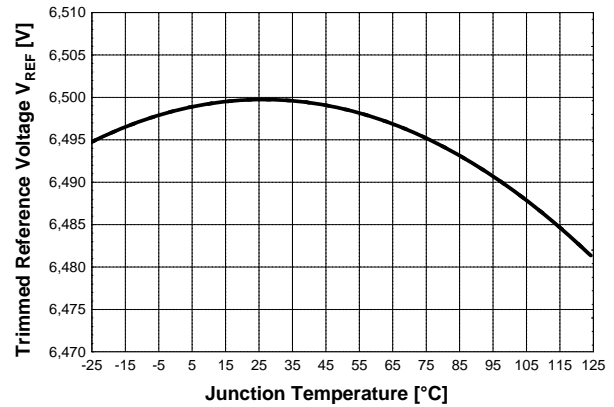
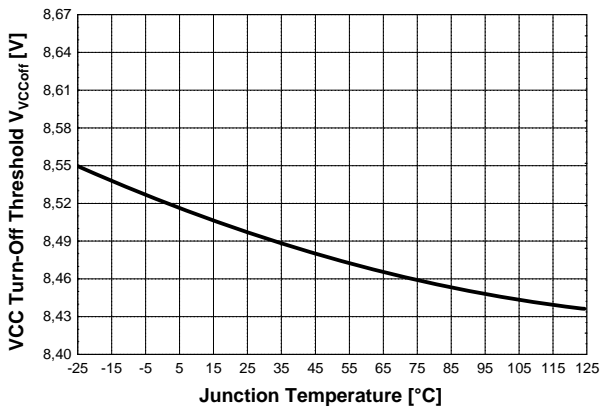
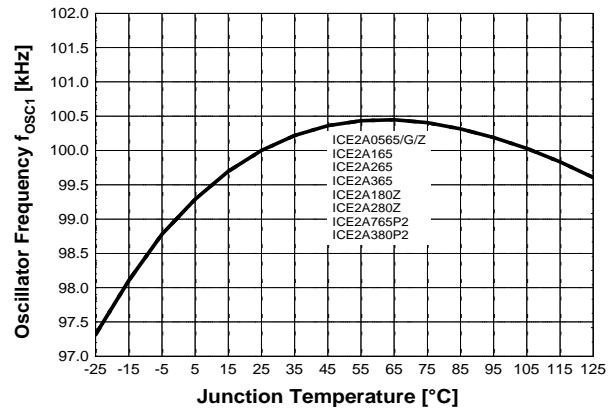
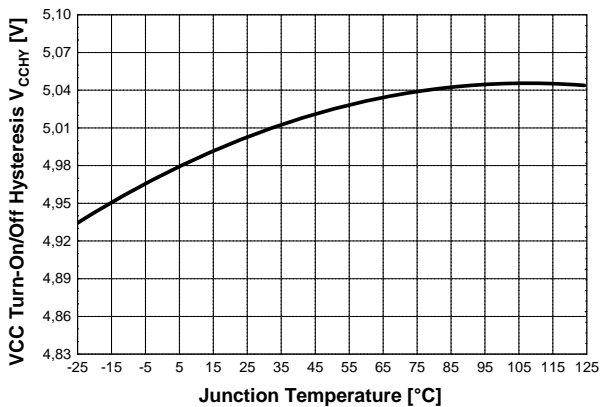
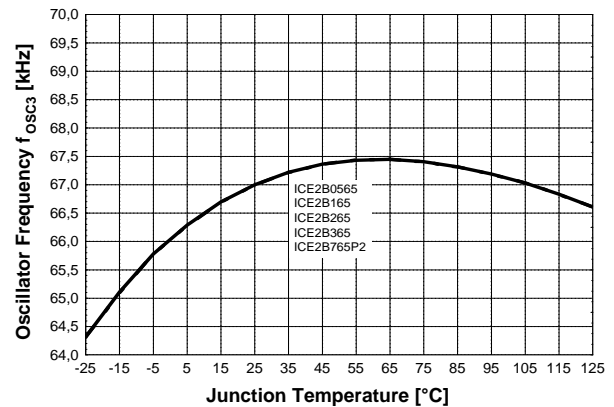


Figure 30 Supply Current  $I_{VCC1}$  vs.  $T_j$

**Typical Performance Characteristics**

 Figure 31 VCC Turn-On Threshold  $V_{CCon}$  vs.  $T_j$ 

 Figure 34 Trimmed Reference  $V_{REF}$  vs.  $T_j$ 

 Figure 32 VCC Turn-Off Threshold  $V_{VCCoff}$  vs.  $T_j$ 

 Figure 35 Oscillator Frequency  $f_{OSC1}$  vs.  $T_j$ 

 Figure 33 VCC Turn-On/Off Hysteresis  $V_{VCCHY}$  vs.  $T_j$ 

 Figure 36 Oscillator Frequency  $f_{OSC3}$  vs.  $T_j$

Typical Performance Characteristics

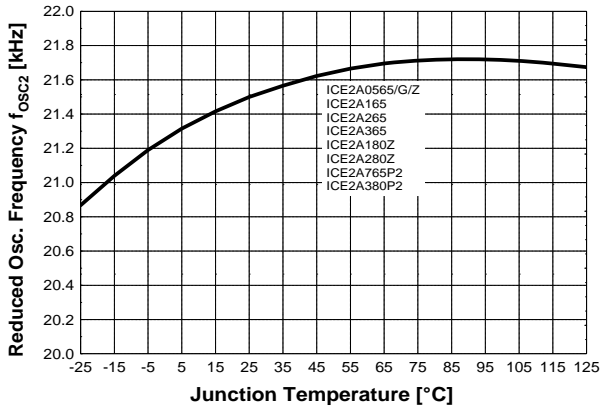


Figure 37 Reduced Osc. Frequency  $f_{OSC2}$  vs.  $T_j$

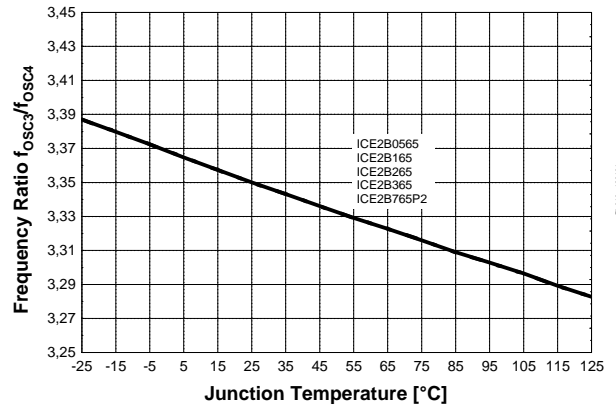


Figure 40 Frequency Ratio  $f_{OSC3} / f_{OSC4}$  vs.  $T_j$

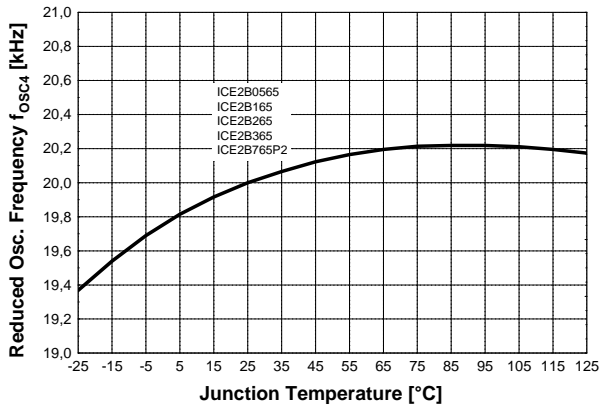


Figure 38 Reduced Osc. Frequency  $f_{OSC4}$  vs.  $T_j$

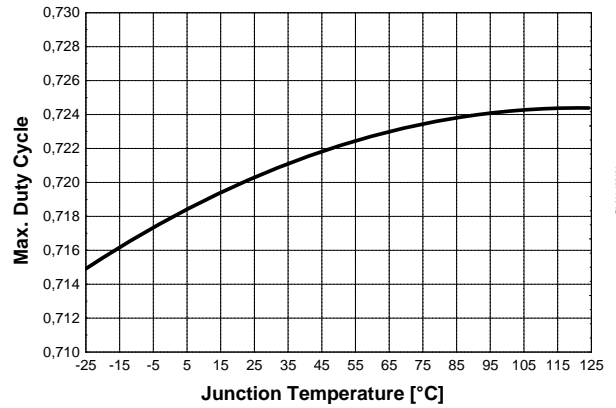


Figure 41 Max. Duty Cycle vs.  $T_j$

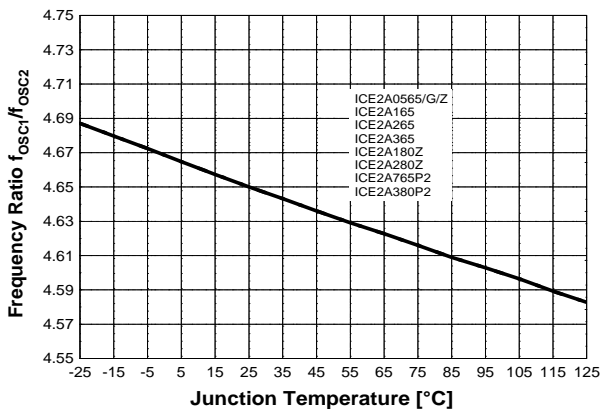


Figure 39 Frequency Ratio  $f_{OSC1} / f_{OSC2}$  vs.  $T_j$

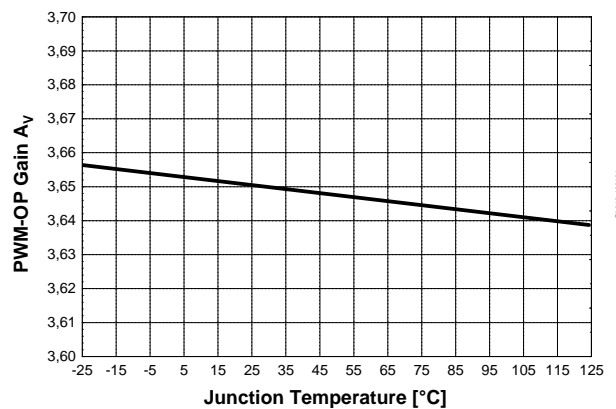


Figure 42 PWM-OP Gain  $A_v$  vs.  $T_j$

**Typical Performance Characteristics**

 Figure 43 Feedback Resistance  $R_{FB}$  vs.  $T_j$ 

 Figure 46 Detection Limit  $V_{Soft-Start1}$  vs.  $T_j$ 

 Figure 44 Soft-Start Resistance  $R_{Soft-Start1}$  vs.  $T_j$ 

 Figure 47 Detection Limit  $V_{Soft-Start2}$  vs.  $T_j$ 

 Figure 45 Detection Limit  $V_{FB2}$  vs.  $T_j$ 

 Figure 48 Overvoltage Detection Limit  $V_{VCC1}$  vs.  $T_j$

Typical Performance Characteristics

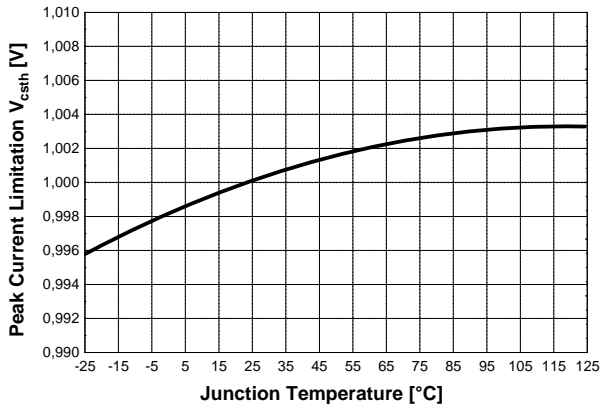


Figure 49 Peak Current Limitation  $V_{csth}$  vs.  $T_j$

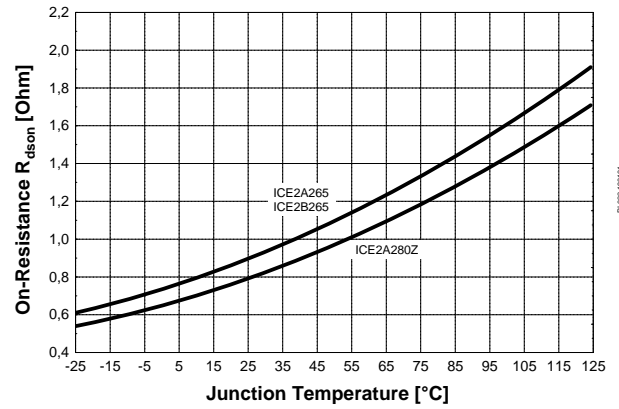


Figure 52 Drain Source On-Resistance  $R_{Dson}$  vs.  $T_j$

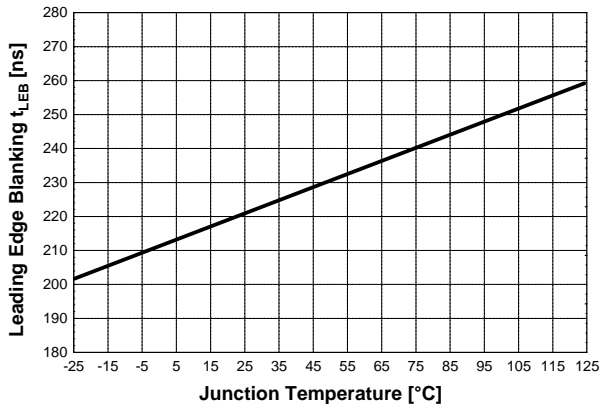


Figure 50 Leading Edge Blanking  $V_{VCC1}$  vs.  $T_j$

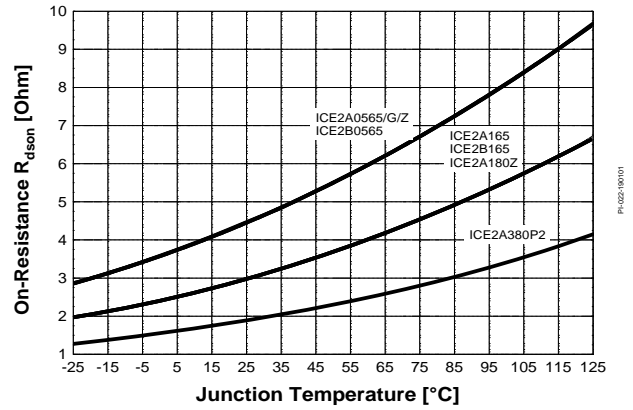


Figure 53 Drain Source On-Resistance  $R_{Dson}$  vs.  $T_j$

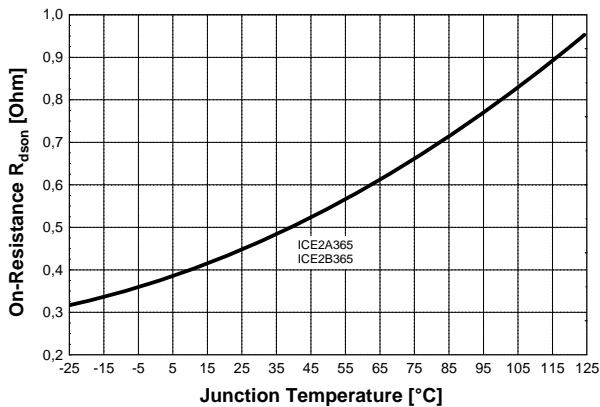


Figure 51 Drain Source On-Resistance  $R_{Dson}$  vs.  $T_j$

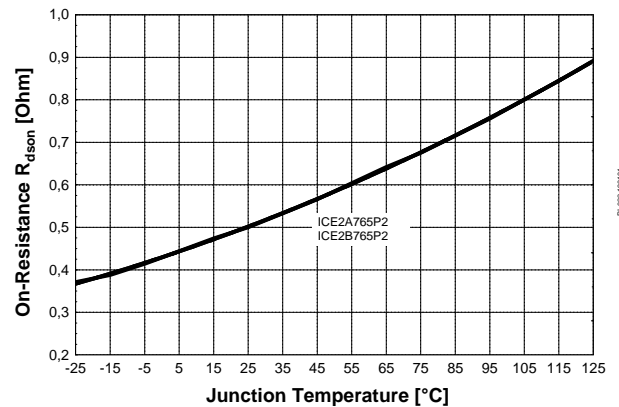


Figure 54 Drain Source On-Resistance  $R_{Dson}$  vs.  $T_j$

Typical Performance Characteristics

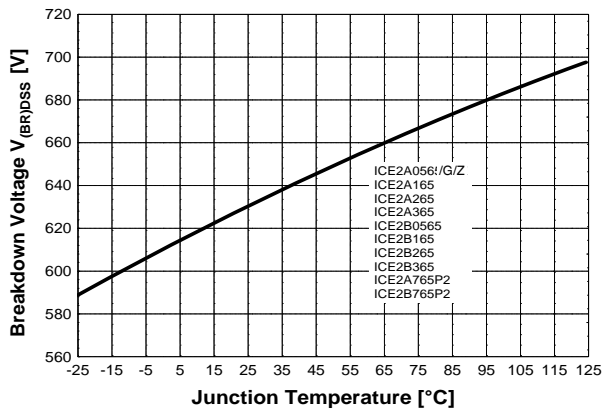


Figure 55 Breakdown Voltage  $V_{BR(DSS)}$  vs.  $T_j$



Figure 56 Breakdown Voltage  $V_{BR(DSS)}$  vs.  $T_j$



Layout Recommendation for C<sub>18</sub>

## 6 Layout Recommendation for C<sub>18</sub>

Note: Only for ICE2A765I/P2 and ICE2B765I/P2

### Soft Start Capacitor Layout Recommendation in Detail

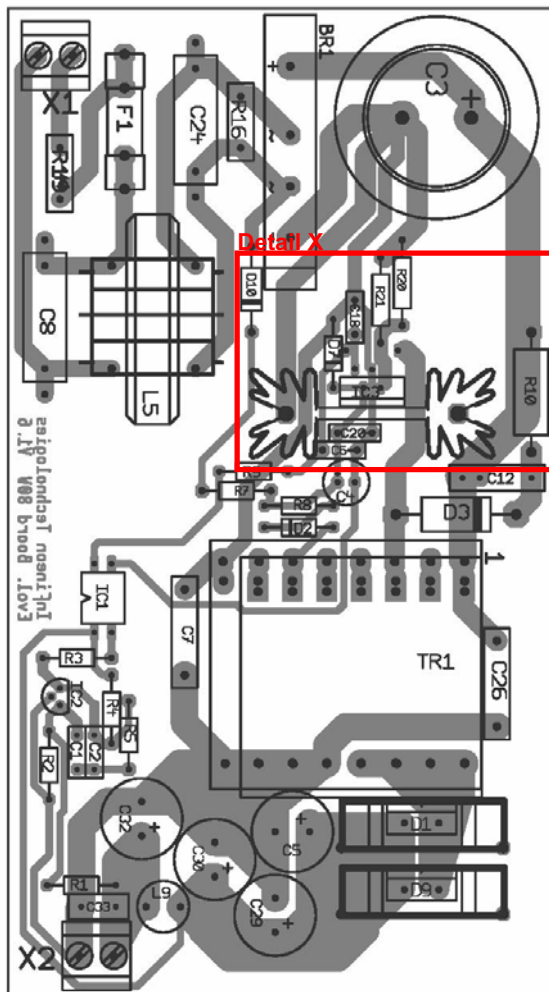


Figure 57A Layout of Board EVALSF2\_ICE2B765P2

To improve the startup behavior of the IC during startup or auto restart mode, place the soft start capacitor C<sub>18</sub> (red section Detail X in Figure 57A) as close as possible to the soft start PIN 6 and GND PIN 4. More details see Detail X in Figure 57B.

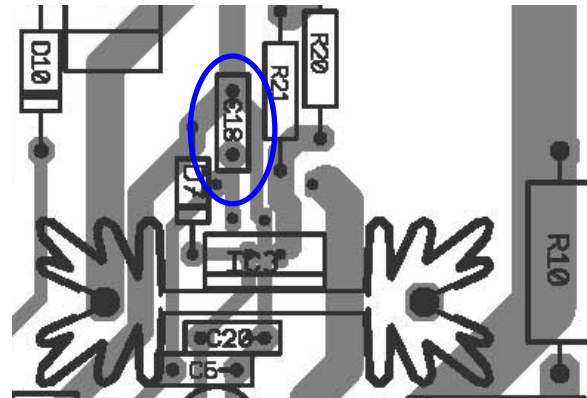


Figure 57B Detail X, Soft Start Capacitor C<sub>18</sub> Layout Recommendation

Place Soft Start capacitor C<sub>18</sub> in the same way as shown in Detail X (blue mark).

Figure 57 Layout Recommendation for ICE2A765I/P2 and ICE2B765I/P2



# 7 Outline Dimension

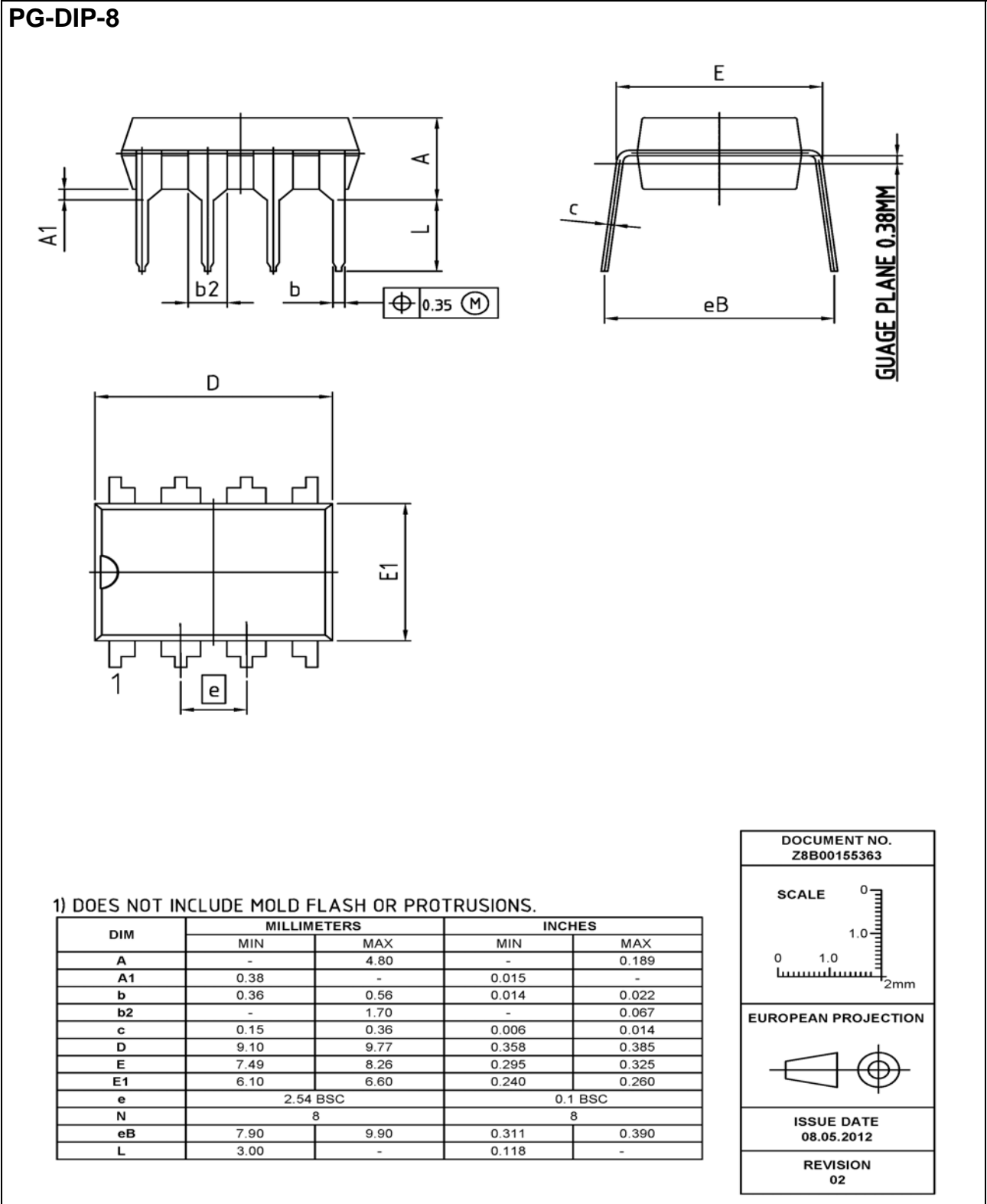
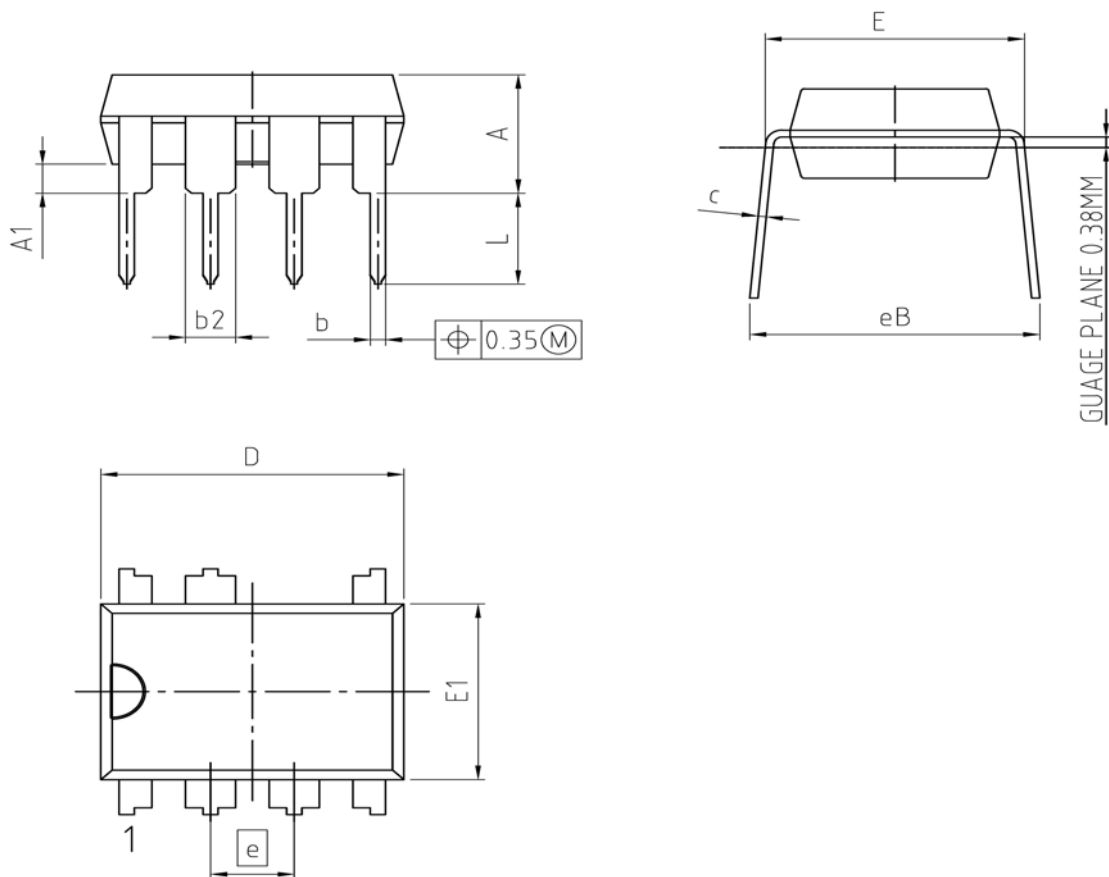


Figure 58 PG-DIP-8 (Plastic Dual In-line Package)

**Outline Dimension**
**PG-DIP-7-1  
(Plastic Dual In-Line Package)**


1) DOES NOT INCLUDE MOLD FLASH OR PROTRUSIONS.

DIM	MILLIMETERS		INCHES	
	MIN	MAX	MIN	MAX
A	-	4.57	-	0.180
A1	0.38	-	0.015	-
b	0.36	0.56	0.014	0.022
b2	-	1.70	-	0.067
c	0.20	0.36	0.008	0.014
D	9.10	9.77	0.358	0.385
E	7.49	8.26	0.295	0.325
E1	6.10	6.60	0.240	0.260
e	2.54 BSC		0.1 BSC	
N	7		7	
eB	7.90	10.90	0.311	0.429
L	2.92	-	0.115	-

DOCUMENT NO.  
Z8B00155542

SCALE

0 1.0 2mm

EUROPEAN PROJECTION

ISSUE DATE  
22.07.2011

REVISION  
02

Figure 59 PG-DIP-7-1(Plastic Dual In-line Package)

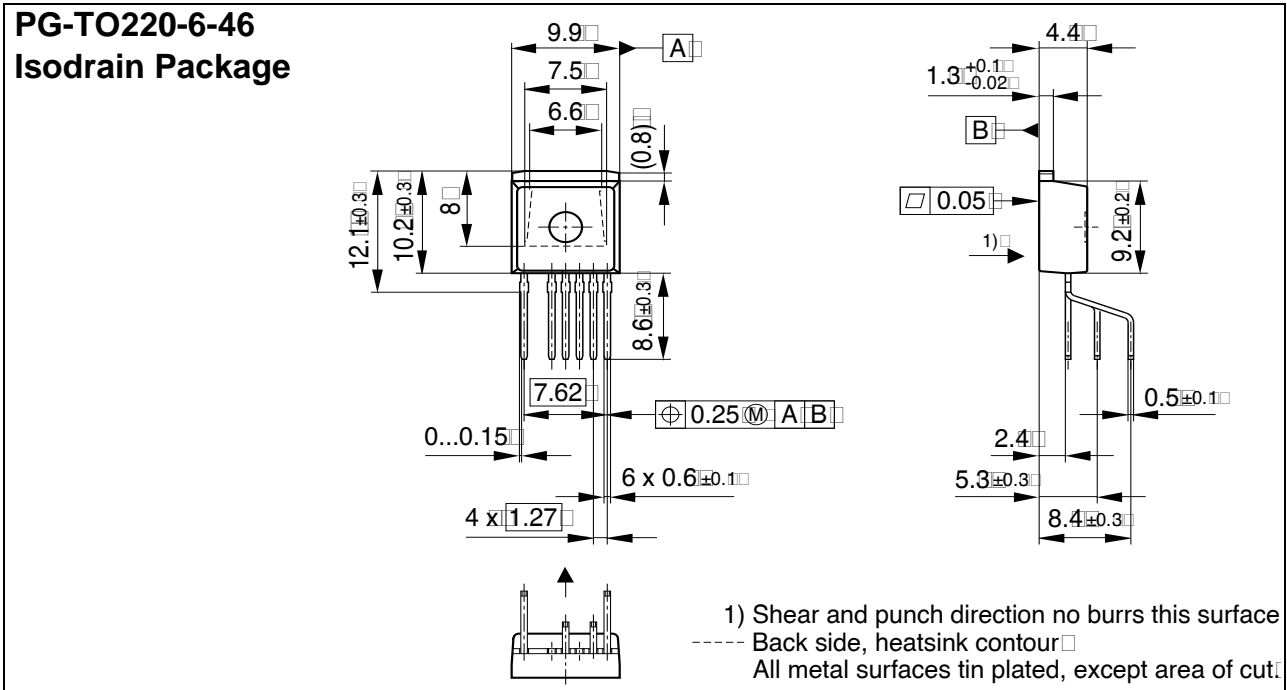
**Outline Dimension**


Figure 60 PG-TO220-6-46 (Isodrain Package)

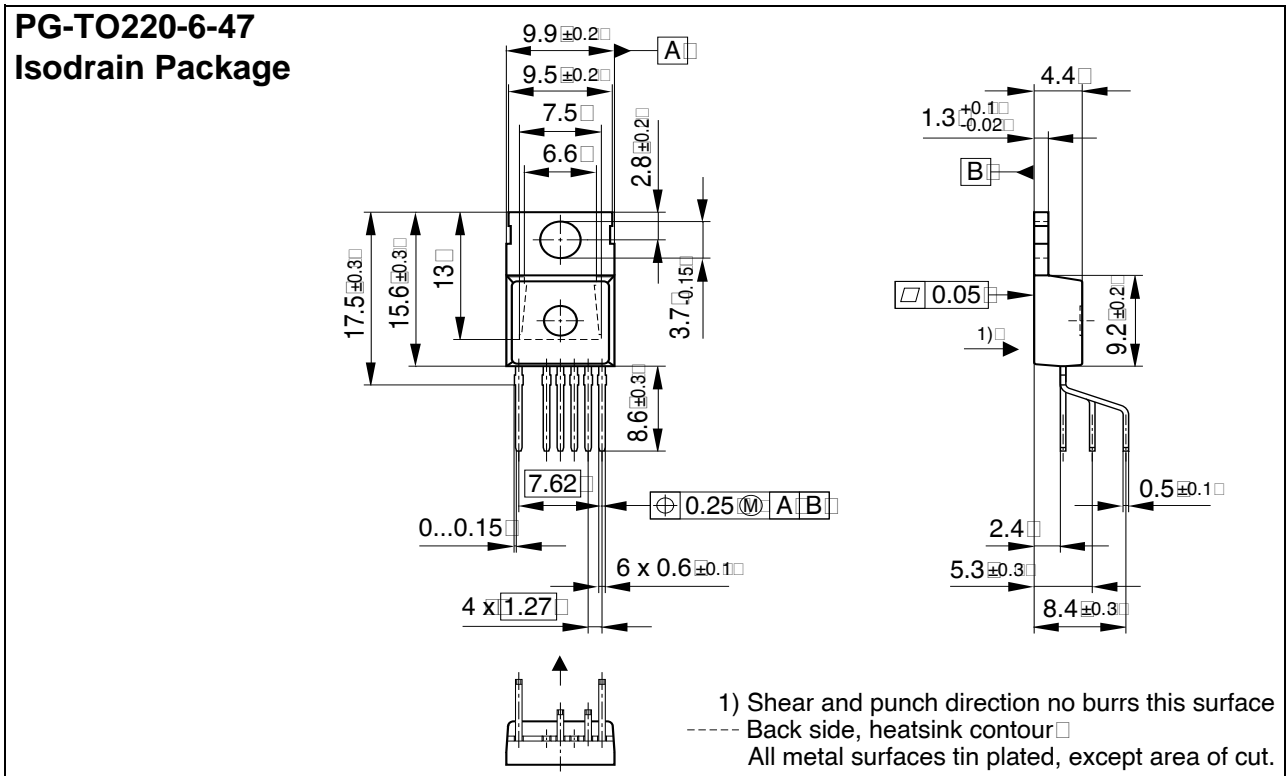


Figure 61 PG-TO220-6-47 (Isodrain Package)

Dimensions in mm

Outline Dimension

**PG-DSO-16/12**  
**(Plastic Dual Small**  
**Outline Package)**



1) Does not include plastic or metal protrusion of 0.25 max. per side

Figure 62 PG-DSO-16/12 (Plastic Dual Small Outline Package)

Dimensions in mm

# Total Quality Management

Qualität hat für uns eine umfassende Bedeutung. Wir wollen allen Ihren Ansprüchen in der bestmöglichen Weise gerecht werden. Es geht uns also nicht nur um die Produktqualität – unsere Anstrengungen gelten gleichermaßen der Lieferqualität und Logistik, dem Service und Support sowie allen sonstigen Beratungs- und Betreuungsleistungen.

Dazu gehört eine bestimmte Geisteshaltung unserer Mitarbeiter. Total Quality im Denken und Handeln gegenüber Kollegen, Lieferanten und Ihnen, unserem Kunden. Unsere Leitlinie ist jede Aufgabe mit „Null Fehlern“ zu lösen – in offener Sichtweise auch über den eigenen Arbeitsplatz hinaus – und uns ständig zu verbessern.

Unternehmensweit orientieren wir uns dabei auch an „top“ (Time Optimized Processes), um Ihnen durch größere Schnelligkeit den entscheidenden Wettbewerbsvorsprung zu verschaffen. Geben Sie uns die Chance, hohe Leistung durch umfassende Qualität zu beweisen.

Wir werden Sie überzeugen.

Quality takes on an all-encompassing significance at Semiconductor Group. For us it means living up to each and every one of your demands in the best possible way. So we are not only concerned with product quality. We direct our efforts equally at quality of supply and logistics, service and support, as well as all the other ways in which we advise and attend to you.

Part of this is the very special attitude of our staff. Total Quality in thought and deed, towards co-workers, suppliers and you, our customer. Our guideline is “do everything with zero defects”, in an open manner that is demonstrated beyond your immediate workplace, and to constantly improve.

Throughout the corporation we also think in terms of Time Optimized Processes (top), greater speed on our part to give you that decisive competitive edge.

Give us the chance to prove the best of performance through the best of quality – you will be convinced.

<http://www.infineon.com>

单击下面可查看定价，库存，交付和生命周期等信息

[>>Infineon\(英飞凌\)](#)