

TLE82452SA

2 Channel High-Side and Low-Side Linear Solenoid Driver IC

TLE82452SA

Data Sheet

-

Rev 1.0, 2013-03-21

Automotive Power

Table of Contents

| | | |
|----------|---|-----------|
| 1 | Overview | 4 |
| 2 | Block Diagram | 5 |
| 3 | Pin Configuration | 6 |
| 3.1 | Pin Assignment | 6 |
| 3.2 | Pin Definitions and Functions | 6 |
| 4 | General Product Characteristics | 9 |
| 4.1 | Absolute Maximum Ratings | 9 |
| 4.2 | Functional Range | 11 |
| 4.3 | Thermal Resistance | 12 |
| 5 | Input / Output | 13 |
| 5.1 | I/O Description | 13 |
| 5.2 | Electrical Characteristics I/O | 15 |
| 6 | Power Supply | 16 |
| 6.1 | Overview | 16 |
| 6.2 | Battery Supply (VBAT) | 16 |
| 6.3 | Load Supplies (LSUP2, LSUP1, LSUP0) | 16 |
| 6.4 | Analog Supplies (VDDA and VDDAREF) | 16 |
| 6.5 | Digital Supply (VDDD) | 16 |
| 6.6 | I/O Supply (VIO) | 16 |
| 6.7 | Power On Reset | 16 |
| 6.8 | Charge Pump | 17 |
| 6.9 | Sleep Mode | 17 |
| 6.10 | Power Supply Modes | 17 |
| 6.11 | Initialization | 18 |
| 6.12 | Electrical Characteristics | 20 |
| 7 | Power Stages | 22 |
| 7.1 | Overview | 22 |
| 7.2 | Channel Disabled | 22 |
| 7.3 | Channel Enabled | 22 |
| 7.4 | Electrical Characteristics Power Stages | 23 |
| 8 | Current Control | 24 |
| 8.1 | Overview | 24 |
| 8.2 | Average current setpoint | 24 |
| 8.3 | Dither waveform | 25 |
| 8.4 | Sense Resistor | 26 |
| 8.5 | Current Controller | 26 |
| 8.6 | PWM Frequency Controller | 27 |
| 8.7 | Autozero | 28 |
| 8.8 | Measurement Functions | 28 |
| 8.9 | Calibration Mode | 28 |
| 8.10 | Electrical Characteristics | 29 |
| 9 | Protection Functions | 30 |
| 9.1 | Overview | 30 |
| 9.2 | Over Current Protection | 30 |
| 9.3 | Over Temperature Protection | 30 |
| 9.4 | Over Voltage Shutdown | 31 |

| | | |
|-----------|--|-----------|
| 9.5 | Electrical Characteristics | 32 |
| 10 | Diagnosis Functions | 33 |
| 10.1 | Overview | 33 |
| 10.2 | FAULTN pin | 34 |
| 10.3 | FAULT mask bits | 34 |
| 10.4 | Overcurrent fault | 34 |
| 10.5 | Open Load / Switch Bypass Fault | 35 |
| 10.6 | Supply Out of Range Fault | 39 |
| 10.7 | CRC Fault | 40 |
| 10.8 | Regulator Error Fault (REx) | 40 |
| 10.9 | Electrical Characteristics | 41 |
| 11 | Serial Peripheral Interface (SPI) | 42 |
| 11.1 | Description of Interface | 42 |
| 11.2 | Timing Diagrams | 42 |
| 11.3 | Electrical Characteristics SPI Interface | 43 |
| 12 | SPI Registers | 44 |
| 12.1 | Description of Protocol | 44 |
| 12.2 | ICVID REGISTER | 45 |
| 12.3 | CONFIGURATION REGISTER | 45 |
| 12.4 | DIAGNOSIS REGISTER | 46 |
| 12.5 | CLK-DIVIDER REGISTER | 47 |
| 12.6 | CALIBRATION REGISTER | 48 |
| 12.7 | SETPOINT REGISTER | 49 |
| 12.8 | DITHER REGISTER | 51 |
| 12.9 | INTEGRATOR LIMIT REGISTER | 52 |
| 12.10 | PWM PERIOD REGISTER | 53 |
| 12.11 | INTEGRATOR THRESHOLD & OPEN ON REGISTER | 54 |
| 12.12 | AUTOZERO REGISTER | 55 |
| 12.13 | FEEDBACK REGISTER | 56 |
| 13 | Application Information | 58 |
| 13.1 | Further Application Information | 58 |
| 14 | Package Outlines | 59 |
| 15 | Revision History | 60 |

2 Channel High-Side and Low-Side Linear Solenoid Driver IC Dragon IC

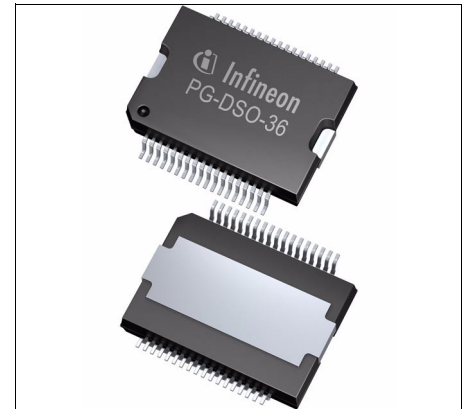
TLE82452SA



1 Overview

Features

- Two independent low side / high side configurable channels
- Integrated half-bridge power stages
- $R_{ON(max)} = 250 \text{ m}\Omega @ T_j = 150 \text{ }^\circ\text{C}$
- Integrated sense resistor with internal TCR compensation
- Load current measurement range = 0 mA to 1500 mA (typical)
- Current setpoint resolution = 0.73 mA
- Current control accuracy
 - +/- 5mA for load currents less than 500 mA
 - +/- 1% for load currents greater than 500 mA
- Excellent immunity to large load supply voltage changes
- Integrated dither generator with programmable amplitude & frequency
- SPI interface for output control, diagnosis, and configuration
- Independent thermal shutdown for each channel
- Open load, switch bypass, and overcurrent protection and diagnosis for each channel
- Programmable slew rate control for reduced EMI
- Green Product (RoHS compliant)
- AEC Qualified



PG-DSO-36

Description

The TLE 82452 is a flexible, monolithic solenoid driver IC designed for the control of linear solenoids in automatic transmission, electronic stability control, and active suspension applications. The two channels can be used as either lowside or highside drivers in any combination. The device includes the drive transistor, recirculation transistor, and current sensing resistor; minimizing the number of required external components.

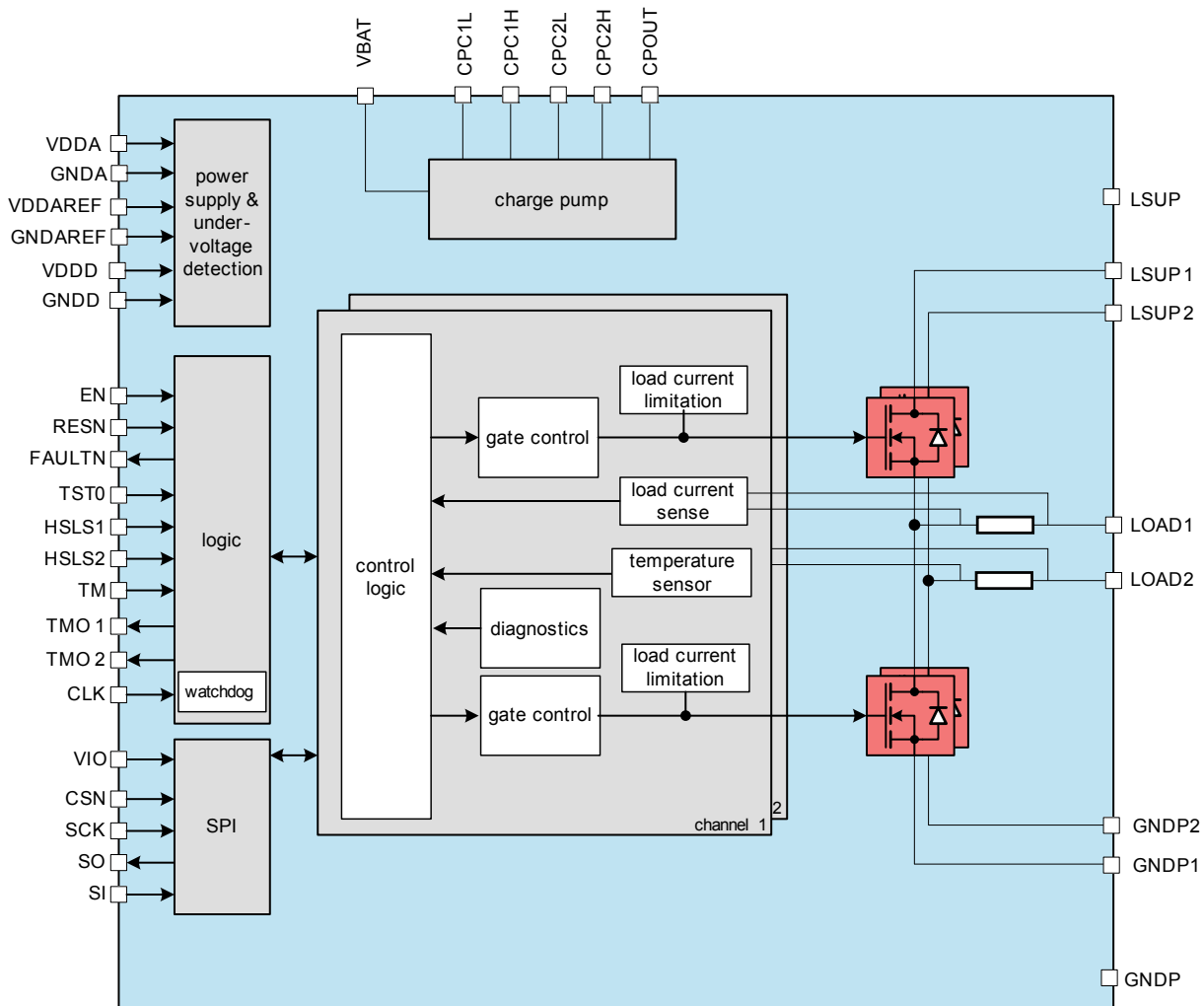
This device is capable of regulating the average current flow in a load up to 1500 mA, depending on the dither settings and the load characteristics, with 0.73 mA resolution. A triangular dither waveform generator, when enabled, superimposes a triangular waveform with programmable amplitude and frequency on the programmed current setpoint.

A 32 bit SPI interface is used to control the three channels and to monitor the status of the diagnostic functions.

An active low reset input, RESN, is used to disable all of the channels and reset the internal registers to the default values. An active high enable pin, EN, is used to enable or disable the operation of the output channels. When the EN pin is low, the channels are disabled, and the SPI interface is fully functional. A fault output pin is provided to generate a signal that can be used as an external interrupt to the microcontroller whenever a fault is detected.

| Type | Package | Marking |
|------------|-----------|------------|
| TLE82452SA | PG-DSO-36 | TLE82452SA |

2 Block Diagram



Block_Diagram.vsd

Figure 1 Block Diagram

3 Pin Configuration

3.1 Pin Assignment

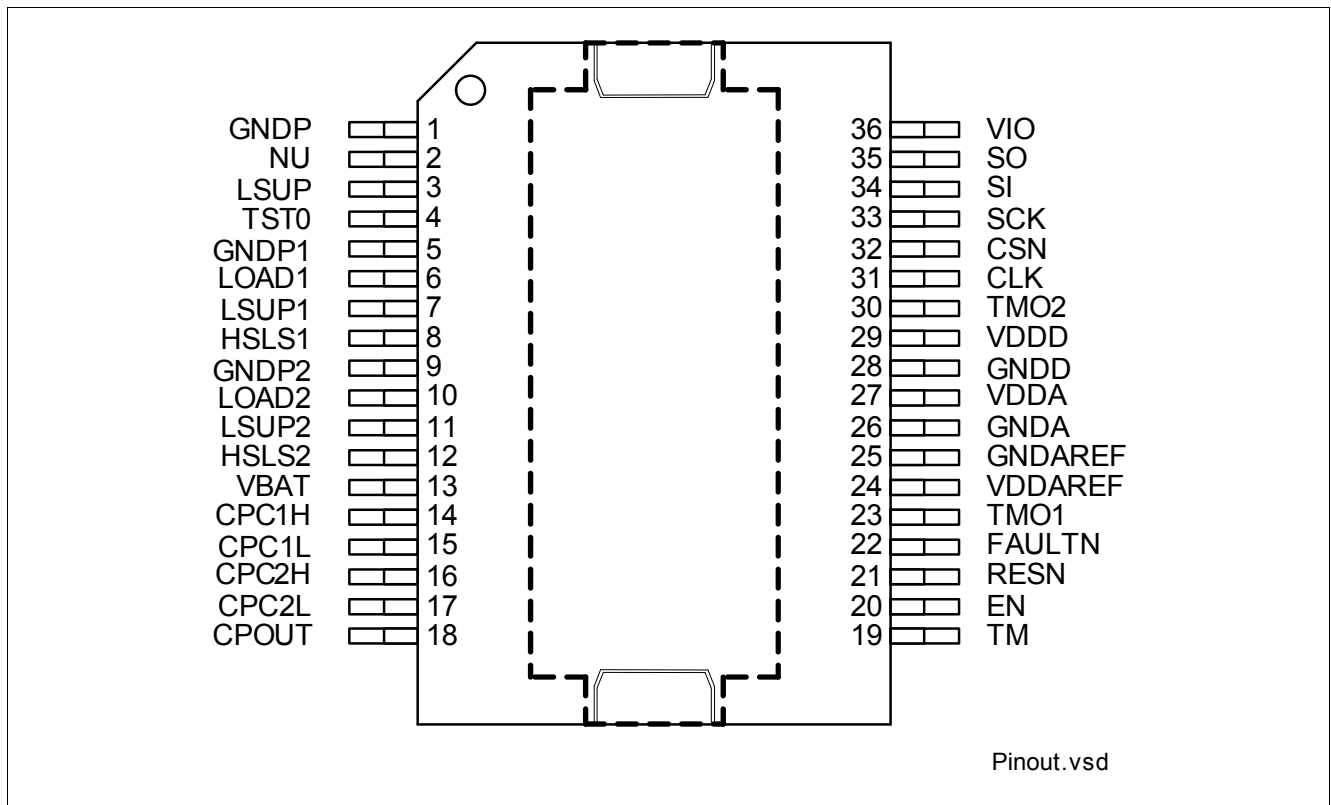


Figure 2 Pin Configuration

3.2 Pin Definitions and Functions

| Pin | Symbol | Function |
|-----|--------|--|
| 1 | GNDP | Ground ; Ground connection. Chip damaged if connection lost. |
| 2 | NU | Not Used No connection should be made to this pin. |
| 3 | LSUP | Supply Voltage ; Connect to Switched Battery Voltage with reverse protection diode and filter against EMC |
| 4 | TST0 | Test Pin ; connect to GND or +5V |
| 5 | GNDP1 | Ground ; Ground connection for channel 1 power stage. Chip damaged if connection lost. |
| 6 | LOAD1 | Output Connect a ceramic capacitor of ≤ 10 nF to GND for ESD protection. |
| 7 | LSUP1 | Supply Voltage ; Supplies channel 1. Connect to Switched Battery Voltage with Reverse protection diode and filter against EMC |

Pin Configuration

| Pin | Symbol | Function |
|-----|---------|---|
| 8 | HLS1 | Control Input; Digital input. Connect to ground for high-side configuration. Connect to +5V or VBAT for low-side configuration. |
| 9 | GNDP2 | Ground; Ground connection for channel 2 power stage. Chip damaged if connection lost. |
| 10 | LOAD2 | Output; Connect a ceramic capacitor of ≤ 10 nF to GND for ESD protection. |
| 11 | LSUP2 | Supply; Supplies channel 2. Connect to Switched Battery Voltage with reverse protection diode and filter against EMC |
| 12 | HLS2 | Control Input; Digital input. Connect to ground for high-side configuration. Connect to +5V or VBAT for low-side configuration. |
| 13 | VBAT | Supply Voltage; Connected to Battery Voltage with reverse protection diode and filter against EMC |
| 14 | CPC1H | Charge Pump; For internal charge pump; connect a ceramic capacitor from this pin to CPC1L |
| 15 | CPC1L | Charge Pump; For internal charge pump; connect a ceramic capacitor from this pin to CPC1H |
| 16 | CPC2H | Charge Pump; For internal charge pump; connect a ceramic capacitor from this pin to CPC2L |
| 17 | CPC2L | Charge Pump; For internal charge pump; connect a ceramic capacitor from this pin to CPC2L |
| 18 | CPOUT | Charge Pump Output For internal charge pump; connect a ceramic storage capacitor from this pin to VBAT. This pin should not be connected to other external components or used as a supply for other circuits. |
| 19 | TM | Test Pin; connect to GND |
| 20 | EN | Control Input; Digital input - 3.3V or 5.0V logic levels. Active high enable input. |
| 21 | RESN | Control Input; Digital input - 3.3V or 5.0V logic levels. Active low reset input. |
| 22 | FAULTN | Status Output; Open Drain output. In case not used, keep open. |
| 23 | TMO1 | Test Pin; connect to GND |
| 24 | VDDAREF | Supply Voltage; Supplies analog circuits. Connect to 5.0V supply voltage |
| 25 | GNDAREF | Ground; Ground connection for analog circuits |
| 26 | GNDA | Ground; Ground connection for analog circuits |
| 27 | VDDA | Supply Voltage; Supplies analog circuits. Connect to 5.0V supply voltage |
| 28 | GNDD | Ground; Ground connection for digital circuits |
| 29 | VDDD | Supply Voltage; Supplies digital circuits. Connect to 5.0V supply voltage |
| 30 | TMO2 | Test Pin; connect to GND |
| 31 | CLK | Clock Input; Main system clock. |
| 32 | CSN | SPI Chip Select Input; Digital input - 3.3V or 5.0V logic levels. |
| 33 | SCK | SPI Clock Input; Digital input - 3.3V or 5.0V logic levels. |
| 34 | SI | SPI Input; Digital input - 3.3V or 5.0V logic levels. |
| 35 | SO | SPI Output; Push Pull output compatible to 3.3 V and 5.0 V logic levels. |

Pin Configuration

| Pin | Symbol | Function |
|----------------|---------------|---|
| 36 | VIO | IO Supply; Connected to 3.3 V or 5.0 V supply |
| Cooling Tab | GND | Cooling Tab; internally connected to GND. |

4 General Product Characteristics

4.1 Absolute Maximum Ratings

Table 1 Absolute Maximum Ratings ¹⁾

$T_j = -40\text{ °C}$ to $+150\text{ °C}$; all voltages with respect to ground (GNDD), positive current flowing into pin (unless otherwise specified)

| Parameter | Symbol | Values | | | Unit | Note / Test Condition | Number |
|--|---|----------|------|----------------------|------|--|----------|
| | | Min. | Typ. | Max. | | | |
| Voltages | | | | | | | |
| Supply Voltage | V_{BAT} | -0.3 | – | 45 | V | – | P_4.1.1 |
| Load Supply Voltage | V_{LSUP} | -0.3 | – | 45 | V | – | P_4.1.2 |
| Digital, Analog, and IO Supply Voltage | V_{DDD} , V_{DDA} , V_{DDAREF} , V_{IO} | -0.3 | – | 5.5 | V | with respect to GNDD, GNDA, GNDAREF, and GNDPx | P_4.1.3 |
| Input Voltage; SCK, CSN, SI, RESN, EN, TM, CLK | V_{INLV} | -0.3 | – | $V_{DDD}^{+0.3^{2)}$ | V | | P_4.1.4 |
| Input Voltage; HSLS1, and HSLS2 | V_{HLSX} | -0.3 | – | $V_{BAT}^{+0.3^{3)}$ | V | | P_4.1.6 |
| Open Drain Output; FAULTN | V_{FAULTN} | -0.3 | | $V_{IO}^{+0.3^{2)}$ | V | | P_4.1.9 |
| Push Pull Output; SO | V_{SO} | -0.3 | | $V_{IO}^{+0.3^{2)}$ | V | | P_4.1.10 |
| Voltage; LOADx | V_{LOAD} | -2 | – | $V_{LSUPx} + 5^{4)}$ | V | $ I_L < 1.6\text{ A}$ | P_4.1.11 |
| Voltage; CPOUT | V_{CPOUT} | VBAT-0.3 | – | 50 | V | | P_4.1.12 |
| Maximum Voltage; CPC1L, CPC2L | V_{CPCxL} | -0.3 | – | 50 | V | | P_4.1.13 |
| Maximum Voltage; CPC1H, CPC2H | V_{CPCxH} | -0.3 | – | 50 | V | | P_4.1.14 |
| Maximum Voltage; GNDPx | V_{GNDP} | -0.3 | | 1.0 | V | with respect to GNDD | P_4.1.15 |
| Maximum Voltage; GNDA, GNDAREF | V_{GND} | -0.3 | | 0.3 | V | with respect to GNDD | P_4.1.16 |
| Currents | | | | | | | |
| Output Current | I_{LOAD} | -1.6 | | 1.6 | A | DC ⁵⁾ | P_4.1.17 |
| Output Current, FAULTN Pin | I_{FAULTN} | 0 | – | 20 | mA | DC | P_4.1.18 |
| Output Current, SO Pin | I_{SO} | -20 | – | 20 | mA | DC | P_4.1.19 |

Table 1 Absolute Maximum Ratings (cont'd)¹⁾

$T_j = -40 \text{ °C to } +150 \text{ °C}$; all voltages with respect to ground (GNDD), positive current flowing into pin (unless otherwise specified)

| Parameter | Symbol | Values | | | Unit | Note / Test Condition | Number |
|---|---------------------|--------|------|------|------|---|--------------|
| | | Min. | Typ. | Max. | | | |
| Input Current; SCK, CSN, SI, RESN, EN, TM, CLK | I_{IN} | -5 | – | 5 | mA | maximum allowable forward and reverse current through the ESD structure | P_4.1.2 0 |
| Temperatures | | | | | | | |
| Junction Temperature | T_j | -40 | – | 150 | °C | continuous operation | P_4.1.2 1 |
| Storage Temperature | T_{stg} | -55 | – | 150 | °C | – | P_4.1.2 2 |
| ESD Susceptibility | | | | | | | |
| ESD Resistivity to GND | V_{ESD} | -2 | – | 2 | kV | HBM ⁶⁾ | P_4.1.2 3 |
| ESD Resistivity all pins ⁷⁾ | V_{ESD} | -2 | – | 2 | kV | HBM ⁶⁾ | P_4.1.2 4 |
| ESD Resistivity to GND | V_{ESD} | -500 | – | 500 | V | CDM ⁸⁾ | P_4.1.2 5 |
| ESD Resistivity Pin 1, 18, 19, 36 (corner pins) | $V_{ESD1,18,19,36}$ | -750 | – | 750 | V | CDM ⁸⁾ | P_4.1.2 6 |

- 1) Not subject to production test, specified by design.
- 2) Voltage must not exceed 5.5V
- 3) Voltage must not exceed 45.0V
- 4) VLOADx - VGNDPx and VLSUPx-VLOADx must not exceed 45.0V
- 5) Compliant to short circuit requirements according to AEC-Q100-012
- 6) ESD susceptibility, HBM according to EIA/JESD 22-A114B
- 7) Pin VBAT vs Pin CPC1H : +/- 1.5kV
- 8) ESD susceptibility, Charged Device Model "CDM" EIA/JESD22-C101 or ESDA STM5.3.1

Notes

1. Stresses above the ones listed here may cause permanent damage to the device. Exposure to absolute maximum rating conditions for extended periods may affect device reliability.
2. Integrated protection functions are designed to prevent IC destruction under fault conditions described in the data sheet. Fault conditions are considered as "outside" normal operating range. Protection functions are not designed for continuous repetitive operation.

4.2 Functional Range

Table 2 Functional Range

| Parameter | Symbol | Values | | | Unit | Note / Test Condition | Number |
|---|---|--------|------|---------------------|--------------|---------------------------------------|----------|
| | | Min. | Typ. | Max. | | | |
| Supply Voltage Range for Nominal Operation | V_{BATnom} | 8 | – | 17 | V | – | P_4.2.1 |
| Extended Supply Voltage Range for Operation | $V_{BAT(ext)}$, V_{LSUP} (ext) | 5.5 | – | 8 | V | Parameter deviations possible | P_4.2.2 |
| Extended Supply Voltage Range for Operation | $V_{BAT(ext)}$, V_{LSUP} (ext) | 17 | – | 40 | V | Parameter deviations possible | P_4.2.3 |
| VBAT Supply Voltage transients slew rate | dV_{BAT}/dt | -1 | – | 1 | V/ μ s | – | P_4.2.4 |
| Load Supply Voltage | V_{LSUP} | 8 | – | $V_{BAT}+0.3$ 1) | V | – | P_4.2.5 |
| Load Supply Voltage transients slew rate | dV_{LSUP}/dt | -1 | – | 1 | V/ μ s | – | P_4.2.6 |
| Digital Supply Voltage | V_{VDDD} | 4.75 | | 5.25 | V | | P_4.2.7 |
| Analog Supply Voltage | V_{VDDA} , V_{DAREF} | 4.75 | | 5.25 | V | | P_4.2.8 |
| Ground Offset Voltage; GNDA, GNDAREF | V_{GND} | -0.1 | | 0.1 | V | with respect to GNDD | P_4.2.9 |
| IO Supply Voltage | V_{IO} | 3.0 | | 5.25 | V | | P_4.2.10 |
| Voltage (static); LOADx | V_{LOADx} | -0.3 | – | $V_{LSUPx}+$ 0.3 | V | | P_4.2.11 |
| Voltage (dynamic); LOADx | V_{LOADx} | -2 | – | $V_{LSUPx}+$ 5 | V | $ I_I < 1.6$ A | P_4.2.12 |
| System Clock Frequency | F_{SYS} | 4 | | 6 | MHz | $F_{SYS} = F_{CLK} / F_{SYS_div}$ | P_4.2.13 |
| CLK pin Frequency | F_{CLK} | 8 | | 40 | MHz | | P_4.2.14 |
| SPI Clock Frequency | F_{SCK} | | | 8 | MHz | | P_4.2.15 |
| LOADx PWM Frequency | F_{LOAD} | 100 | | 4000 | Hz | dependent on solenoid characteristics | P_4.2.16 |
| Junction Temperature | T_j | -40 | – | 150 | $^{\circ}$ C | – | P_4.2.17 |

 1) V_{LSUPx} - GNDD must not exceed 45.0V.

Note: Within the functional or operating range, the IC operates as described in the circuit description. The electrical characteristics are specified within the conditions given in the Electrical Characteristics table.

4.3 Thermal Resistance

Note: This thermal data was generated in accordance with JEDEC JESD51 standards. For more information, go to www.jedec.org.

Table 3 Thermal Resistance

| Parameter | Symbol | Values | | | Unit | Note / Test Condition | Number |
|--------------------------------|------------|--------|------|------|------|-----------------------|---------|
| | | Min. | Typ. | Max. | | | |
| Junction to Case ¹⁾ | R_{thJC} | – | – | 2 | K/W | – | P_4.3.1 |
| Junction to Ambient | R_{thJA} | – | 15 | – | K/W | ²⁾ | P_4.3.2 |

1) Not subject to production test, specified by design.

2) Specified R_{thJA} value is according to Jedec JESD51-2,-5,-7 at natural convection on FR4 2s2p board; The Product (Chip+Package) was simulated on a 76.2 × 114.3 × 1.5 mm board with 2 inner copper layers (2 × 70 mm Cu, 2 × 35 mm Cu). Where applicable a thermal via array under the exposed pad contacted the first inner copper layer.

5 Power Supply

5.1 Overview

The TLE82453 has multiple supply pins. The internal circuits are powered by three +5.0 V supply pins; VDDD, VDDA, and VDDAREF; and by one battery pin, VBAT. A separate supply pin, VIO, can be connected to either a 3.3V or 5V supply depending on the logic levels of the interfaced microcontroller I/O signals. The device includes a charge pump circuit which generates a supply voltage greater than VBAT.

5.2 Battery Supply (VBAT)

This pin is the supply for the internal charge pump and must be connected to the reverse polarity protected battery voltage supply. For correct operation the voltage on this pin must not be lower than the voltage on any of the LSUPx pins. This pin is also used by the overvoltage detection circuit.

5.3 Load Supplies (LSUP2, LSUP1, LSUP0)

These pins are the supply pins for the three output stages. If the voltage on one of these pins is lower than the LSUP under voltage threshold, the respective power stage is disabled and the respective UVx fault bit is set in the DIAGNOSIS register. The LSUP pins of unused channels must be connected to VBAT.

5.4 Analog Supplies (VDDA and VDDAREF)

The VDDA pin is the supply for the internal analog circuits such as the amplifiers and analog-to-digital converters. The VDDAREF pin is the supply for the internal bandgap references. An externally regulated 5.0 VDC +/- 5% supply must be connected to these pins. A ceramic capacitor with a value of 100nF must be connected between each of these pins and ground near the IC.

These pins are monitored by a pair of internal comparators. The internal logic circuits are held in a reset state if the voltage on either of these pins is less than the threshold VDDA_UV and VDDAREF_UV.

5.5 Digital Supply (VDDD)

This pin is the supply for all of the internal logic circuitry. An externally regulated 5.0 VDC +/- 5% supply must be connected to this pin. A ceramic capacitor with a value of 100nF must be connected between this pin and ground near the IC.

This pin is monitored by an internal comparator. The internal logic circuits are held in a reset state if the voltage on this pin is less than the threshold VDDD_UV.

5.6 I/O Supply (VIO)

This pin is used to supply the pins that interface with the external microcontroller. This pin must be connected to a supply with the same voltage, 3.3V or 5.0V, that is used to supply the peripherals of the microcontroller.

5.7 Power On Reset

An internal power on reset circuit holds the device in a reset state if any of the supplies VDDD, VDDA, or VDDAREF is below the respective undervoltage detection threshold. The device is also held in reset if the clock signal on the CLK pin is missing or the clock frequency is too low when the CLK pin watchdog is enabled. The power on reset is released a fixed power on reset time (t_{POR}) after all of these supplies are above their respective threshold voltage. The SPI interface can be accessed after the power on reset time.

The fault bit "RST" in the DIAGNOSIS register is set whenever the device exits the reset state. This bit is cleared automatically whenever the DIAGNOSIS register is accessed. The microcontroller can use this bit to determine if an internal or external reset has occurred.

5.8 Charge Pump

In order to provide low $R_{ds(on)}$ of the high-side mosfet transistors, a charge pump is used to drive the internal gate voltage above VBAT. The device uses a common charge pump for all channels. The charge pump uses the battery voltage supply connected to the VBAT pin. The charge pump output voltage at the CPOUT pin is regulated to typically 11V above the voltage at the VBAT pin.

The charge pump circuit requires three external capacitors. A reservoir capacitor with a recommended value of 220nF must be connected between the CPOUT pin and the VBAT pin. Two pump capacitors with recommended values of 27nF must be connected between the CPC1L and CPC1H pins and also between the CPC2L and CPC2H pins. A built in supervisor circuit checks if the charge pump output voltage is sufficient to control the high-side mosfet transistors. If the VCPOUT voltage is less than the charge pump undervoltage threshold, the output transistors are disabled and the CPUV fault flag is set in the DIAGNOSIS register. A separate CPW (Charge Pump Warning) fault bit in the DIAGNOSIS register is set if the VCPOUT voltage is below the CP warning threshold voltage. The device will continue to operate normally when the VCPOUT voltage is between the CPW threshold and the CPUV threshold, however the current control accuracy may be outside of the specification limits.

5.9 Sleep Mode

If any one of the VDDD, VDDA, and VDDAREF voltage supplies is below the respective undervoltage threshold, the device enters sleep mode. The current drawn into the VBAT pin is reduced during this mode of operation. Sleep mode is automatically exited when all of the VDDD, VDDA, and VDDAREF supply pins are above the respective undervoltage threshold.

5.10 Power Supply Modes

The following table describes the operation of the device with all possible power supply modes of VBAT, VCPOUT, VDDD, VDDA, VDDAREF, and VIO. The "X" symbol means that the state of this supply does not effect the result (can be either supplied or not supplied) in the specific case.

| | | | | | | | | | | | | | |
|-------------------------------|-----------|-----------|-----------|-----------|-----------------|-----------------|---|-----------------------------|-----------------|-----------------|-----------------|-----------------|-----------------|
| VDDD | < VDDx_UV | X | X | > VDDx_UV | > VDDx_UV | > VDDx_UV | > VDDx_UV | > VDDx_UV | > VDDx_UV | > VDDx_UV | > VDDx_UV | > VDDx_UV | > VDDx_UV |
| VDDA | X | < VDDx_UV | X | > VDDx_UV | > VDDx_UV | > VDDx_UV | > VDDx_UV | > VDDx_UV | > VDDx_UV | > VDDx_UV | > VDDx_UV | > VDDx_UV | > VDDx_UV |
| VDDAREF | X | X | < VDDx_UV | > VDDx_UV | > VDDx_UV | > VDDx_UV | > VDDx_UV | > VDDx_UV | > VDDx_UV | > VDDx_UV | > VDDx_UV | > VDDx_UV | > VDDx_UV |
| RESN | X | X | X | LOW | HIGH | HIGH | HIGH | HIGH | HIGH | HIGH | HIGH | HIGH | HIGH |
| CLK | X | X | X | X | TCLK > TCLK_MSS | TCLK > TCLK_MSS | TCLK < TCLK_MSS | TCLK < TCLK_MSS | TCLK < TCLK_MSS | TCLK < TCLK_MSS | TCLK < TCLK_MSS | TCLK < TCLK_MSS | TCLK < TCLK_MSS |
| VIO | X | X | X | X | > 3.0V | > 3.0V | 0V | > 3.0V | > 3.0V | > 3.0V | > 3.0V | > 3.0V | > 3.0V |
| WDEN | X | X | X | X | LOW | HIGH | HIGH | HIGH | HIGH | HIGH | HIGH | HIGH | HIGH |
| EN | X | X | X | X | X | X | HIGH | LOW | HIGH | HIGH | HIGH | HIGH | HIGH |
| VCPOUT - VBAT | X | X | X | X | X | X | > CPUV | X | < CPUV | > CPUV | > CPUV | > CPUV | > CPUV |
| VBAT | X | X | X | X | X | X | < VBATOV | X | X | > VBATOV | < VBATOV | < VBATOV | < VBATOV |
| VLSUP_x | X | X | X | X | X | X | > VLSUPUV | X | X | X | < VLSUPUV | > VLSUPUV | > VLSUPUV |
| Sleep Mode | YES | YES | YES | NO | NO | NO | NO | NO | NO | NO | NO | NO | NO |
| Watchdog Fault | NO | NO | NO | NO | NO | YES | NO | NO | NO | NO | NO | NO | NO |
| Channel Operational | NO | NO | NO | NO | NO | NO | YES | NO | NO | NO | NO | NO | YES |
| SPI Functional | NO | NO | NO | NO | YES | NO | INPUT – YES Response is 0000 ₁₁ | YES | YES | YES | YES | YES | YES |
| Diagnostics Functional | NO | NO | NO | NO | NO | NO | YES | NO Load faults are detected | YES | YES | YES | YES | YES |
| FAULTN | LOW | LOW | LOW | LOW | LOW | LOW | Undefined | LOW (1) | LOW | LOW | LOW (4) | HIGH | HIGH |
| RST bit | HIGH (2) | HIGH (2) | HIGH (2) | HIGH (2) | HIGH (3) | HIGH (3) | unchanged | unchanged | unchanged | unchanged | unchanged | unchanged | unchanged |

Figure 3 Power Supply Mode Diagram

1. The FAULTN pin is LOW if the FME fault mask bit is set to 1
2. The RST bit in the DIAGNOSIS register will be set after the device exits the reset state
3. A missing CLK signal will result in a reset only if the CLK Watchdog has been enabled.
4. The FAULTN pin is LOW if the FMx fault mask bit is set to 1

5.11 Initialization

The following figure illustrates the initialization sequence for the device after power-up.

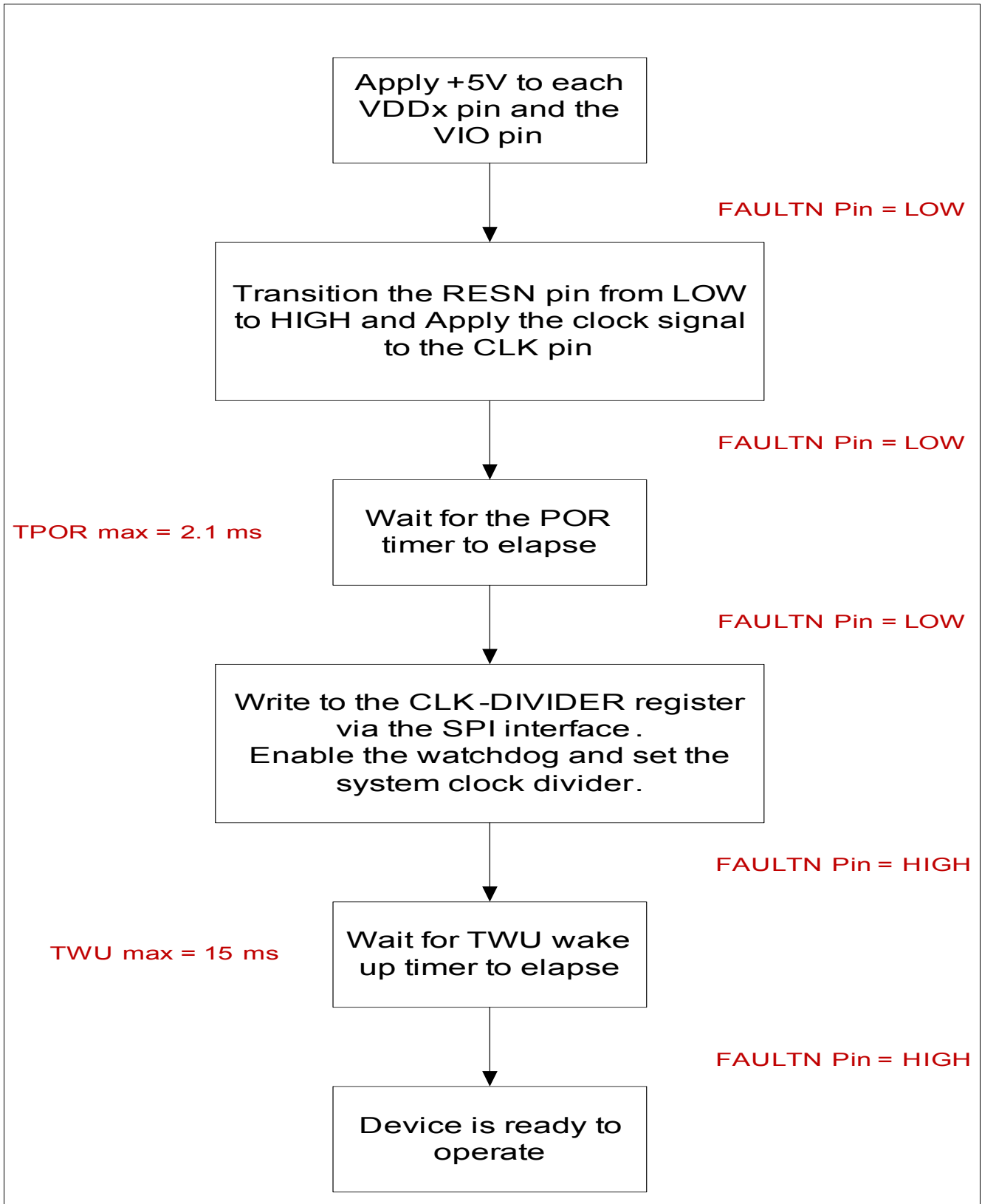


Figure 4 Initialization Sequence

5.12 Electrical Characteristics

Table 4 Electrical Characteristics: Power Supply

$V_{BAT} = 8\text{ V to }17\text{ V}$, $V_{DDX} = 4.75\text{ V to }5.25\text{ V}$, $T_j = -40\text{ }^\circ\text{C to }+150\text{ }^\circ\text{C}$, C_{PC1} and $C_{PC2} = 27\text{ nF}$ $C_{PCOUT} = 220\text{ nF}$, all voltages with respect to ground (GNDD), positive current flowing into pin (unless otherwise specified)

| Parameter | Symbol | Values | | | Unit | Note / Test Condition | Number |
|---|------------------|-------------|------|----------------------------|---------------|--|-----------|
| | | Min. | Typ. | Max. | | | |
| VBAT Current Consumption normal mode | I_{VBAT} | – | | 10 | mA | all channels active | P_6.12.1 |
| VBAT Current Consumption sleep mode | I_{VBAT_SLP} | – | | 8 | μA | | P_6.12.2 |
| VDDD Current Consumption | I_{VDDD} | – | | 20 | mA | | P_6.12.3 |
| VDDA Current Consumption | I_{VDDA} | – | | 13 | mA | | P_6.12.4 |
| VDDAREF Current Consumption | $I_{VDDAREF}$ | – | | 4 | mA | | P_6.12.5 |
| VIO Current Consumption | I_{VIO} | – | | 1 | mA | CSN=VIO=5.25V | P_6.12.6 |
| Undervoltage reset (internally generated) - VDDA | V_{DDA_UV} | 3.8 | | 4.3 | V | VDDA decreasing | P_6.12.7 |
| Undervoltage reset (internally generated) - VDDAREF | V_{DDAREF_UV} | 3.8 | | 4.3 | V | VDDAREF decreasing | P_6.12.8 |
| Undervoltage reset (internally generated) - VDDD | V_{DDD_UV} | 3.8 | | 4.3 | V | VDDD decreasing | P_6.12.9 |
| Undervoltage hysteresis | V_{UV_HYS} | | 150 | | mV | | P_6.12.10 |
| LSUP undervoltage threshold | V_{LSUP_UV} | 4.5 | | 5.5 | V | | P_6.12.11 |
| Missing CLK clock detection time | T_{CLK_MSS} | | | 10 | μs | | P_6.12.12 |
| Power On Reset time | T_{POR} | | | 2.1 | ms | Logic circuits are functional after POR timer | P_6.12.13 |
| Power-on wake up time | T_{WU} | | | 15 | ms | Timer starts when all supplies are above the UV thresholds and RESN pin is high $F_{CLK} = 8\text{ MHz}$. Output stages functional after T_{WU} | P_6.12.14 |
| Charge Pump | | | | | | | |
| Charge pump voltage | V_{CP_OUT} | $V_{BAT}+8$ | | $V_{BAT}+13$ ¹⁾ | V | | P_6.12.15 |
| Charge pump clock frequency | F_{CP} | | 65 | | KHz | $F_{SYS} = 6\text{ MHz}$ ²⁾ | P_6.12.16 |
| Charge pump warning threshold voltage | V_{CPOUT_W} | $V_{BAT}+7$ | | $V_{BAT}+8.5$ | V | | P_6.12.17 |

Table 4 Electrical Characteristics: Power Supply

$V_{BAT} = 8\text{ V to }17\text{ V}$, $V_{DDx} = 4.75\text{ V to }5.25\text{ V}$, $T_j = -40\text{ }^\circ\text{C to }+150\text{ }^\circ\text{C}$, CPC1 and CP2 = 27nF CPCOUT = 220nF, all voltages with respect to ground (GNDD), positive current flowing into pin (unless otherwise specified)

| Parameter | Symbol | Values | | | Unit | Note / Test Condition | Number |
|--|-----------------|-----------------|------|-----------------|------|-----------------------|-----------|
| | | Min. | Typ. | Max. | | | |
| Charge pump undervoltage threshold voltage | V_{CPOUT_UV} | $V_{BAT} + 4.5$ | | $V_{BAT} + 5.5$ | V | | P_6.12.18 |
| Charge pump overvoltage clamp | V_{CPOUT_OV} | | 48.5 | | V | | P_6.12.19 |

- 1) Will not exceed VCPOUT_OV
- 2) Parameter not subject to production test, specified by design

Attention: Voltage Ratings for Charge Pump caps: CPC1/CPC2: $V_{min}=V_{BATmax} + 10V$, CCPOUT: $V_{min}=V_{BATmax} + 16V$

6 Input / Output

6.1 I/O Description

The CLK pin must be connected to a precise clock signal. This clock is used by the internal analog to digital converters and by the internal logic. A small internal pull down current will keep the voltage on this pin near ground when the pin is open. The device includes a programmable divider to generate the internal system clock from the CLK pin signal. This divider ratio is programmed in the CLK-DIVIDER register by the SPI interface. The output stages cannot be enabled until this field has been written.

An internal watchdog circuit will hold the device in an internal reset state if the delay between rising edges on the CLK pin is greater than the threshold time, T_{CLK_MSS} . The watchdog is initially disabled when the device exits the reset state. The watchdog is enabled by setting the WDEN bit in the CLK-DIVIDER register.

Until the watchdog is enabled, the output stages are disabled. Once the watchdog function is enabled, a missing CLK signal will set the Watchdog Status Bit in the IC VERSION register, set the FAULTN pin to a logic low state, disable the output stages, and cause the device to enter an internal reset state. In this mode of operation, the SPI response from the device will always be the response to a IC VERSION register read command. To exit this mode of operation, the device must be reset externally by the RESN pin.

The EN pin is used to enable / disable the output stages. If the EN pin is low, all of the channels are disabled and (when the fault mask bit FME = 1) the FAULTN pin is pulled low. The SPI interface remains functional, however. When the EN pin is low, the EN bits in the SET-POINT registers are cleared. The EN pin can be connected to a general purpose output pin of the microcontroller or to an output of a safing circuit.

The RESN pin is the reset input for the device. If the RESN pin is low, the device is held in an internal reset state, the FAULTN pin is held low, and the SPI interface is disabled. An internal pull down current source will hold the RESN pin low in case the pin is open.

The FAULTN pin is an open drain output. This pin is pulled low when a fault is detected by the diagnosis circuit or when the device is in an internal reset state. An external resistor should be connected between this pin and the VIO supply.

The SI, SO, CSN, and SCLK pins comprise the SPI interface. See Sections 11 and 12 for details.

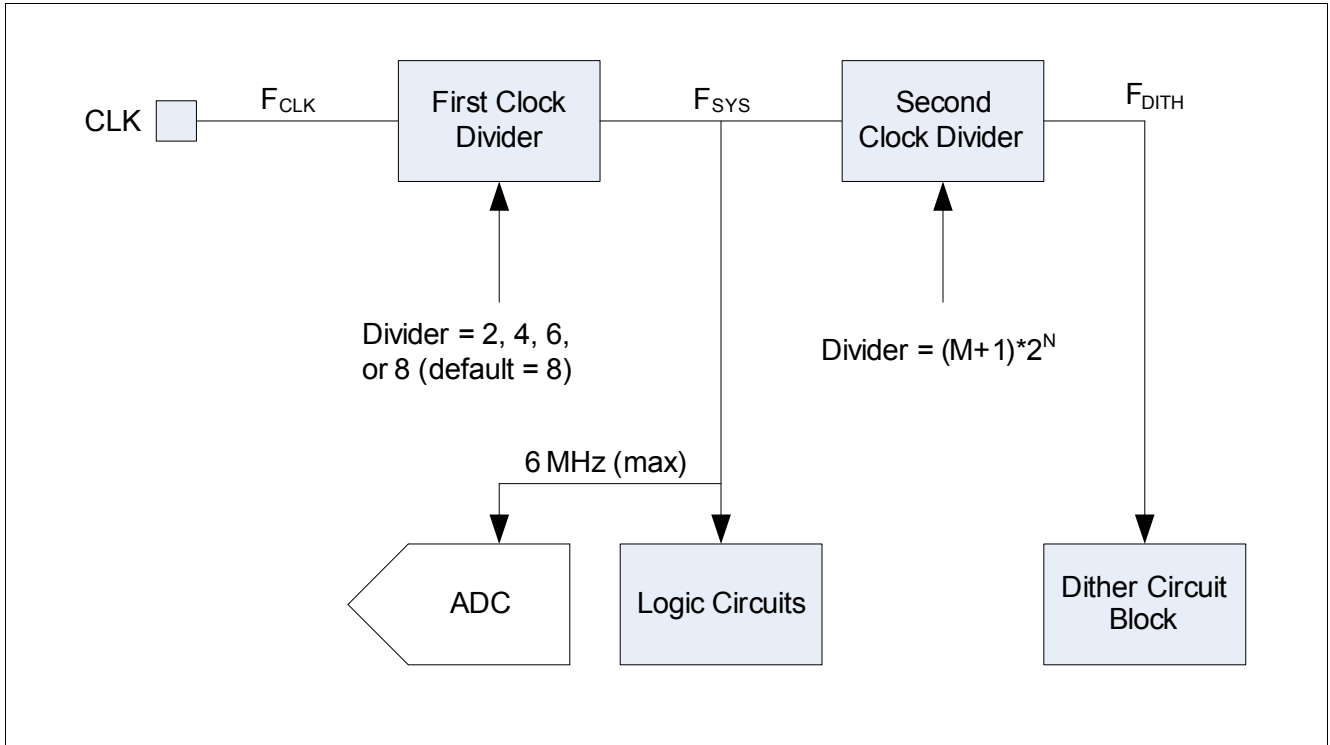


Figure 5 Clock Divider

6.2 Electrical Characteristics I/O

Table 5 Electrical Characteristics:

$V_{BAT} = 8\text{ V to }17\text{ V}$, $V_{DDx} = 4.75\text{ V to }5.25\text{ V}$, $T_j = -40\text{ °C to }+150\text{ °C}$, all voltages with respect to ground (GNDD), positive current flowing into pin (unless otherwise specified)

| Parameter | Symbol | Values | | | Unit | Note / Test Condition | Number |
|---|---------------|----------------|------|----------|---------------|--|---------|
| | | Min. | Typ. | Max. | | | |
| Control Inputs EN, RESN, CSN, SI, SCK, CLK | | | | | | | |
| Input threshold - low | V_{IN_L} | 0.8 | | | V | V_{IN} increasing | P_5.2.1 |
| Input threshold - high | V_{IN_H} | | | 2.0 | V | V_{IN} decreasing | P_5.2.2 |
| Input hysteresis | V_{IN_HYS} | | 50 | | mV | | P_5.2.3 |
| Pull up current - CSN | I_{PU} | -50 | | -10 | μA | | P_5.2.4 |
| Pull down current - EN, SI, SCK, CLK, RESN | I_{PD} | 10 | | 50 | μA | | P_5.2.5 |
| Output SO | | | | | | | |
| Output low-level voltage | V_{SO_L} | 0 | | 0.5 | V | $I_{SO} = 0.5\text{mA}$ | P_5.2.6 |
| Output high-level voltage | V_{SO_H} | $V_{IO} - 0.5$ | | V_{IO} | V | $I_{SO} = -0.5\text{mA}$, $3.0\text{V} < V_{IO} < 5.5\text{V}$ | P_5.2.7 |
| Output tri-state leakage current | I_{SO_OFF} | -10 | | 10 | μA | $V_{CSN} = V_{IO}$ | P_5.2.8 |
| Output FAULTN | | | | | | | |
| Output low-level voltage | V_{FLT_L} | 0 | | 0.4 | V | $I_{FLT} = 2\text{mA}$ | P_5.2.9 |

7 Power Stages

7.1 Overview

There are two output channels implemented in this device. The output power stages of each channel consists of a half bridge made up of two n-channel DMOS transistors and a current sensing resistor. An internal charge pump generates the voltage required to switch the n-channel DMOS high-side switches. The switches are protected from external failures by built in over current and over temperature detection circuits.

The half bridge arrangement allows the use of active freewheeling, which reduces the power dissipation of the device. The arrangement also allows each channel to be individually programmed for lowside or highside drive. The output current slew rate of the power stages can be programmed to one of three values by programming the CONFIGURATION register by SPI.

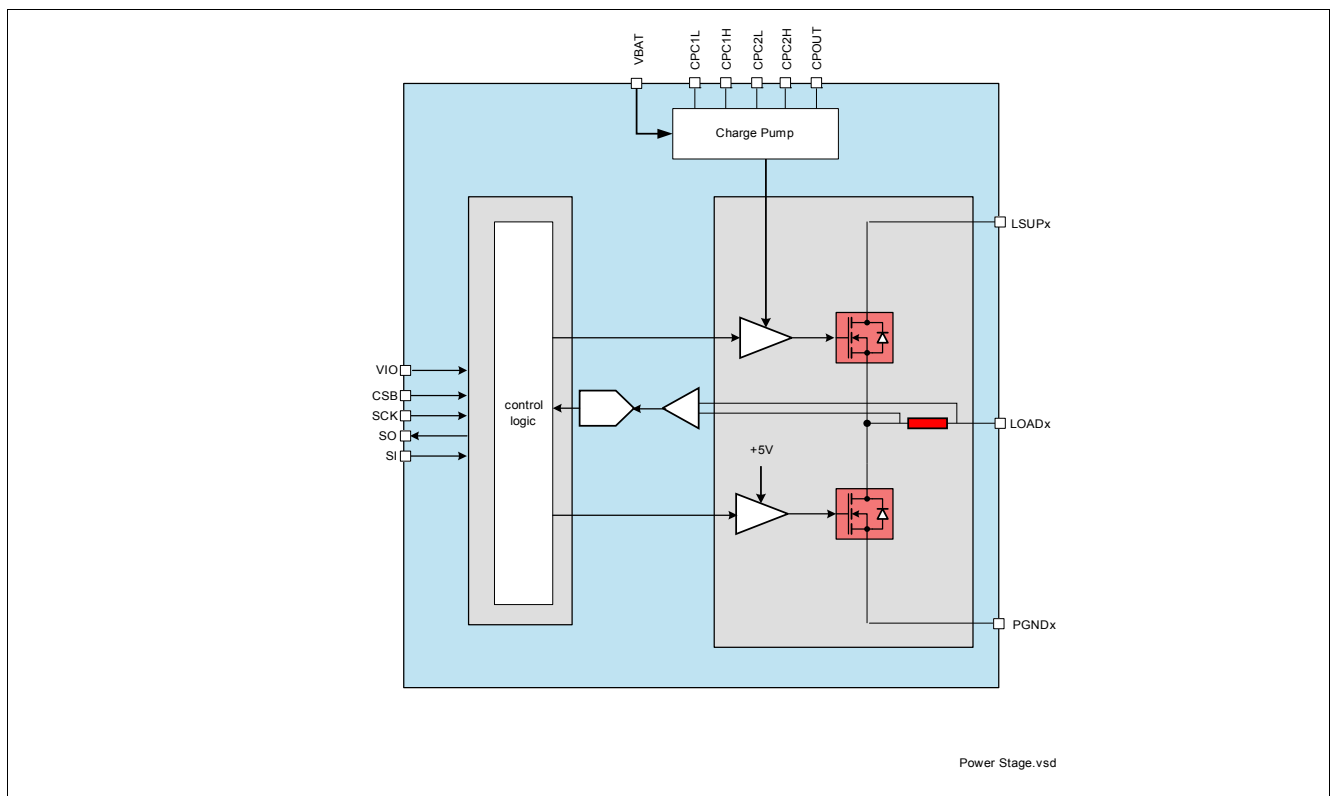


Figure 6 Power Stages

7.2 Channel Disabled

When the channel is disabled, both transistors of the half bridge are turned off. The output stage is in a high output impedance state in this condition.

7.3 Channel Enabled

When a channel is configured for lowside operation, the lowside DMOS switch is the “drive” switch and the highside DMOS switch is the “recirculation” switch. Likewise, when a channel is configured for highside operation, the highside DMOS switch is the “drive” switch and the lowside switch is the “recirculation” switch. In normal operation, the “drive” switch is turned on and off with the duty cycle needed to regulate the solenoid current at the target value. During the time that the “drive” switch is turned off, the device is in active freewheeling mode. The “recirculation” switch is turned on in this mode to reduce the voltage drop across the device during recirculation.

The transistors are controlled in a way that prevents shoot through current during switching, that is the control logic prevents the simultaneous activation of both the “drive” switch and the “recirculation” switch.

7.4 Configuration of Channels

The pins HSLS1, and HSLS2 are used to configure each channel for highside or lowside operation. The pin must be connected to ground for highside operation and to VBAT or + 5V for lowside operation. The configuration of each channel can be verified by reading the CONFIGURATION register via SPI.

7.5 Electrical Characteristics Power Stages

Table 6 Electrical Characteristics: Power Stages

$V_{BAT} = 8\text{ V to }17\text{ V}$, $V_{DDx} = 4.75\text{ V to }5.25\text{ V}$, $T_j = -40\text{ °C to }+150\text{ °C}$, all voltages with respect to ground (GNDD), positive current flowing into pin (unless otherwise specified)

| Parameter | Symbol | Values | | | Unit | Note / Test Condition | Number |
|-------------------------------------|---------------------|--------|-------------------|------|------------------------|---|----------|
| | | Min. | Typ. | Max. | | | |
| LSUPx leakage current | I_{LSUP_LKG} | – | | 150 | μA | set-point = 0mA $8\text{V} < V_{LSUP} < V_{BAT} + 0.3\text{V}$ | P_7.6.1 |
| LSUPx leakage current in sleep mode | $I_{LSUP_LG_SLP}$ | – | | 50 | μA | Sleep mode All $V_{DDx}=0\text{V}$ | P_7.6.2 |
| On-State Resistance - high side FET | $R_{DS(ON)_HS}$ | – | | 250 | $\text{m}\Omega$ | $T_j = 150\text{°C}$; $I_{LOAD} = -1.6\text{A}$ | P_7.6.3 |
| On-State Resistance - low side FET | $R_{DS(ON)_LS}$ | – | | 250 | $\text{m}\Omega$ | $T_j = 150\text{°C}$; $I_{LOAD} = 1.6\text{A}$ | P_7.6.4 |
| OUTx leakage current | I_{LOAD_LKG} | -150 | | 150 | μA | set-point = 0mA $8\text{V} < V_{LSUP} < V_{BAT} + 0.3\text{V}$; $0\text{V} < V_{LOAD} < V_{LSUP}$ | P_7.6.5 |
| Load_LKG sleep mode | | -80 | | 80 | μA | | P_7.6.6 |
| Current rise and fall times - SR0 | T_{R0}, T_{F0} | | 1 ¹⁾ | | μs | $I_{LOAD} = 1.4\text{A}$; $8\text{V} < V_{LSUP} < V_{BAT} + 0.3\text{V}$; 20% to 80% ΔI_{LSUP} & ΔI_{GNDD} | P_7.6.7 |
| Current rise and fall times - SR1 | T_{R1}, T_{F1} | | 0.5 ¹⁾ | | μs | $I_{LOAD} = 1.4\text{A}$; $8\text{V} < V_{LSUP} < V_{BAT} + 0.3\text{V}$; 20% to 80% ΔI_{LSUP} & ΔI_{GNDD} | P_7.6.8 |
| Current rise and fall times | T_{R2}, T_{F2} | | 2 ¹⁾ | | μs | $I_{LOAD} = 1.4\text{A}$; $8\text{V} < V_{LSUP} < V_{BAT} + 0.3\text{V}$; 20% to 80% ΔI_{LSUP} & ΔI_{GNDD} | P_7.6.9 |
| Voltage slew rate SR0 | | | 5 | | $\text{V}/\mu\text{s}$ | | P_7.6.10 |
| Voltage slew rate SR1 | | | 10 | | $\text{V}/\mu\text{s}$ | | P_7.6.11 |
| Voltage slew rate SR2 | | | 2.5 | | $\text{V}/\mu\text{s}$ | | P_7.6.12 |
| Current Sense Resistor | | | | | | | |
| Sense resistor resistance | R_{SENSE} | | 250 | 380 | $\text{m}\Omega$ | | P_7.6.13 |

1) Not subject to production test, specified by design

8 Current Control

8.1 Overview

The device has independent controller blocks for each channel. Each control loop consists of the average current setpoint input, the dither generator, the load current feedback path, the controller block, and the output stage.

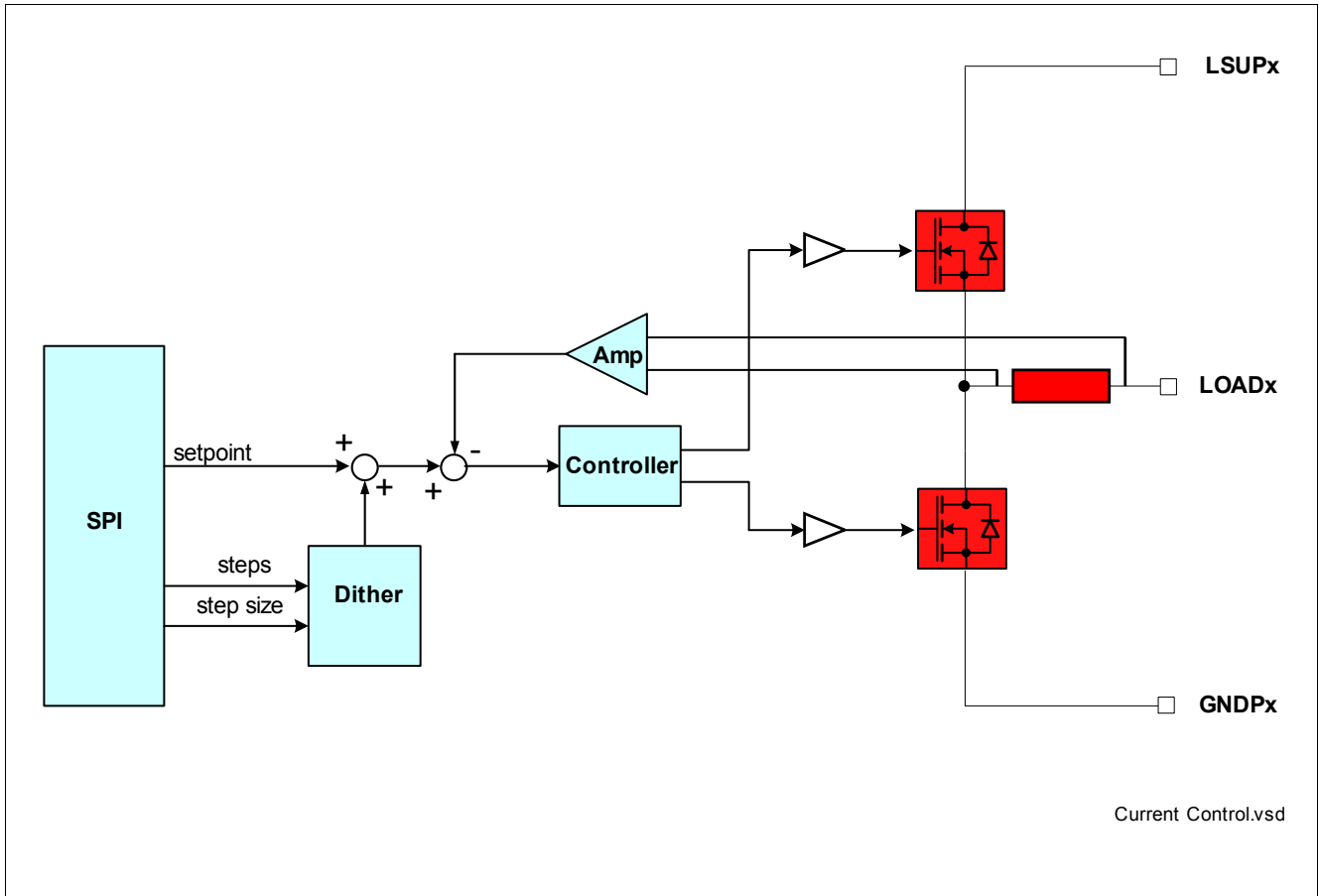


Figure 7 Controller Block Diagram

8.2 Average current setpoint

The average current setpoint value is determined by the contents of the SETPOINT register. The relationship between the value of the setpoint register and the average load current is shown in Figure 8. The accuracy band of the current regulation is also shown in Figure 8. The accuracy is specified over the normal operating range of the device (including the full normal operating junction temperature range). An automatic auto-zero feature is included in the device. The auto-zero feature will automatically measure the offset of the current measurement circuits of each channel after power-up. When a channel is programmed to regulate current, the offset is compensated by an automatic modification of the setpoint. The content of the SPI accessed average current setpoint register is not influenced by the autozero circuit.

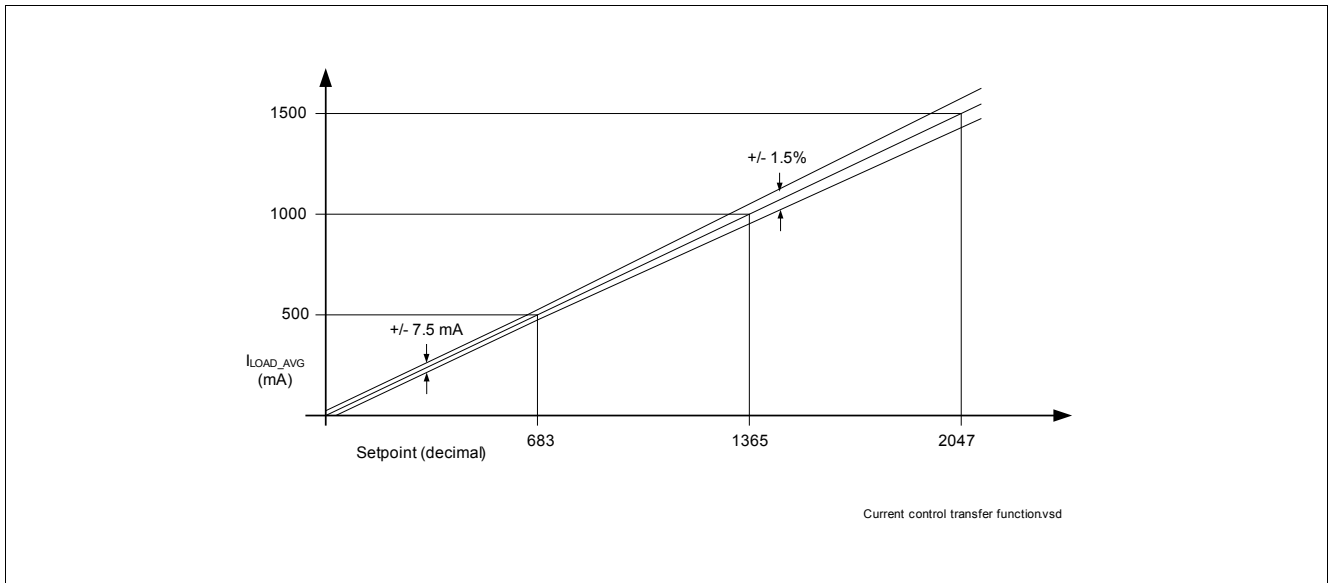


Figure 8 Output current transfer function and accuracy

8.3 Dither waveform

A triangular dither waveform can be added to the average current setpoint in order to reduce the hysteresis of the driven solenoid valve. The dither waveform is shown in [Figure 9](#). The frequency of the dither waveform is set by programming the STEPS field in the DITHER register. The value of the STEPS field determines the number of dither steps in one quarter of the dither waveform. The time duration of each step is set by programming the N and M fields in the CLOCK-DIVIDER register. The amplitude of the signal is determined by the contents of the STEPS field and the contents of the STEP SIZE field of the DITHER register (see [Figure 9](#)). The application software must take care that the product of the steps and stepsize does not exceed 0x03FF hex. When dither is disabled or a new value is entered, the current dither period will be completed. Entering 0 steps causes the loss of dither. entering new values will not result in a correct waveform until dither is disabled and re-enabled. See Application note for details.

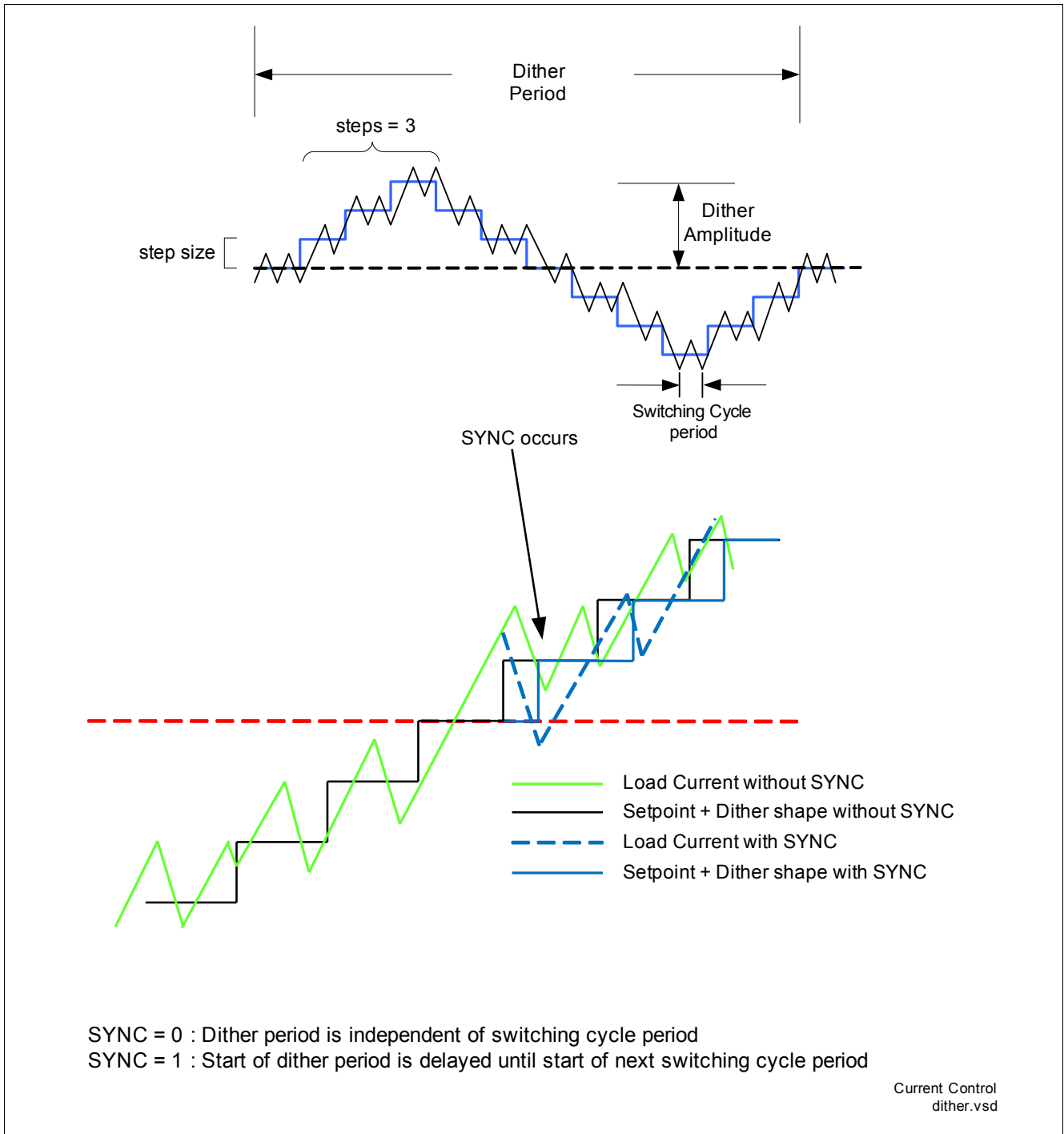


Figure 9 Dither Waveform

The dither waveform can be synchronized to the PWM frequency by setting the SYNC bit in the DITHER register. When the SYNC bit is set to 0, the triangular dither waveform is free-running and is asynchronous to the PWM frequency. When the SYNC bit is set to 1, a new dither period will not start until the start of the next PWM cycle. The start of a PWM cycle period is defined to be when the output stage turns on. The start of a dither period is defined to be when the dither increases one step above zero on this rising slope of the waveform.

8.4 Sense Resistor

The current sense resistor is integrated into the device. The initial error and the temperature drift of this resistor are measured and trimmed during the device manufacturing process. The internal protection circuits are built in a way, that repeated shorts to VBAT/GND will not destroy the internal shunt.

8.5 Current Controller

The current controller regulates the load current by alternatively turning on the drive switch and the recirculation switch. The on time of the drive switch is determined by the integrated PWM period controller. The off time of the transistor is determined by the average current controller. When the average load current over the current PWM period is equal to the setpoint during freewheeling, the drive transistor is turned on again and the next PWM cycle is started.

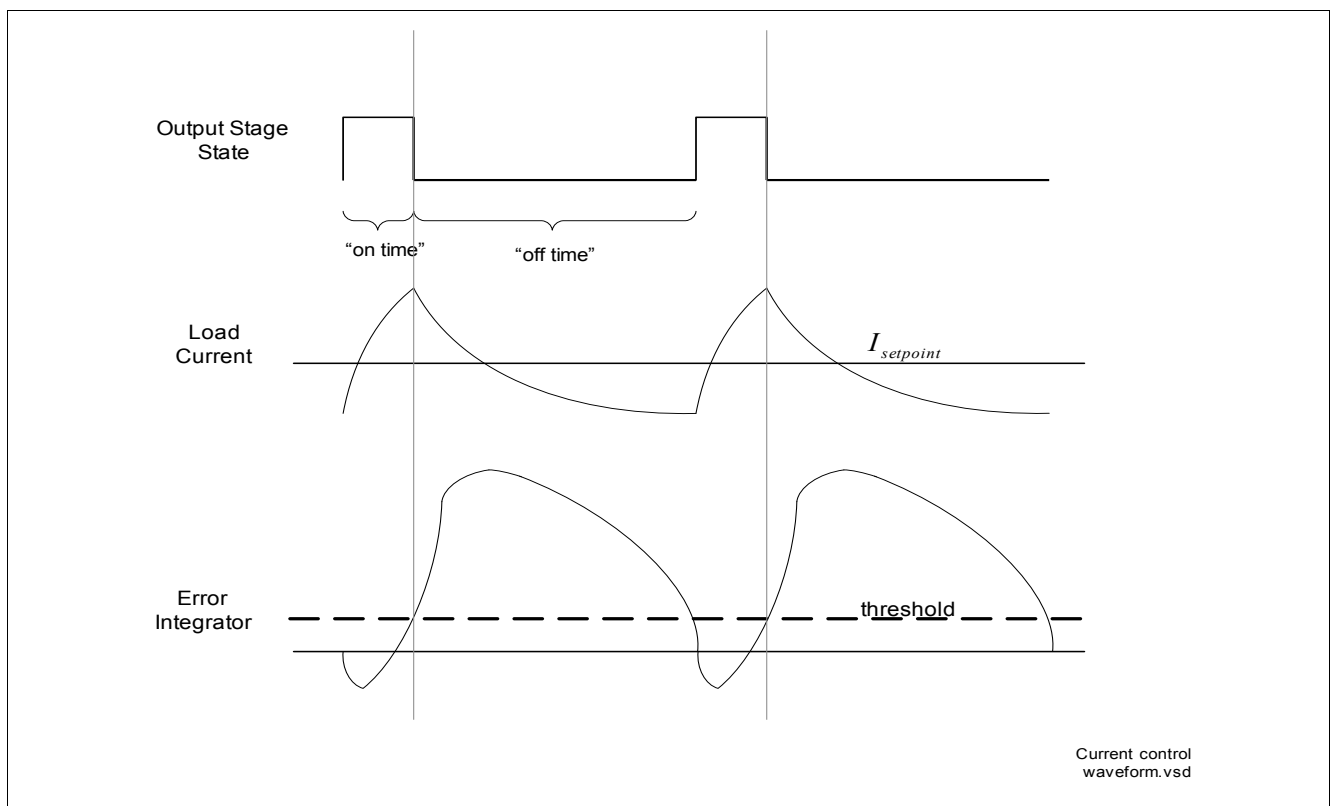


Figure 10 Controller waveforms

The controller includes an integrator which integrates the difference between the average load current and the setpoint over the time duration of the PWM cycle. At the start of a PWM cycle, the driving FET is turned on and the recirculation FET is turned off. In this phase of operation, the load current will increase. When the value of the error integrator exceeds the integrator threshold, the driving FET is turned off and the recirculation FET is turned on. The load current will decrease in this phase of operation. The integrator threshold is adjusted automatically by the internal PWM period controller until the desired PWM period is reached. When the error integrator decreases to 0, the recirculation FET is turned off and the driving FET is turned on to start the next PWM cycle.

The integrator can be automatically limited by the device after a change in setpoint by setting the Auto-Limit bit in the SETPOINT register. The device will limit the integrator output to a small value (+/- 20d) during the setpoint change and then automatically revert back to the normal integrator limit values after the setpoint change has been achieved when this bit is set.

A "Regulator Error" fault bit in the DIAGNOSIS register is set when the programmed setpoint current is not reached after 8 PWM cycles after the SETPOINT register is written.

8.6 PWM Frequency Controller

The integrated PWM Frequency controller regulates the PWM Frequency using an “Integral” control loop with a programmable gain, KI. This control loop monitors the actual PWM period and compares it to the PWM period setting in the PWM Period Register. The error in the PWM period is multiplied by the gain KI and then integrated at each PWM cycle. The output of the controller adjusts the “on time” of the PWM signal until the actual PWM period matches the programmed PWM period.

KI gains of 1, 1/2, 1/4, 1/8, 1/16, 1/32, and 1/64 can be selected in the PWM Period Register. The KI value of 1, KI_index =0, has the fastest response time, the KI value of 1/64, KI_index=6, has the slowest response time, but with less overshoot and less ringing. KI_index = 6 is the recommended setting for initial evaluation.

8.7 Autozero

Each channel has an autozero function which measures and compensates for the offset of analog current measurement circuits. The autozero function is automatically initiated during power up after the first write to the CLK-DIVIDER register. The function can also be initiated by the user by setting the AZ start bit in the AUTOZERO SPI message. The EN bit in the SETPOINT register must be set to “0” to initiate the auto-zero function. This AZ START bit is automatically cleared by the device when the autozero sequence is complete. The measured offset of current measurement circuits can be read by the micro controller via the SPI message AUTOZERO.

8.8 Measurement Functions

The SPI register FEEDBACK can be read to access the value of the load current measured by the device and the value of the output PWM period. The CFB bit in the DITHER register selects between two measurement types. When CFB=0, the average current and the switching period are measured over each switching cycle. When CFB=1, the maximum current and minimum currents are measured over a dither cycle. Also the number of switching cycles occurring in the last dither cycle is measured.

When the CFB bit = 0 and the device is not in calibration mode, the FEEDBACK register contains a 12 bit Current Feedback field. The content of this field represents the integration of the load current measured by the analog current measurement circuit blocks over the most recent switching period. The average load current can be calculated according to the equation $I_{load_avg} = 0.75 * \text{Current Measurement_Feedback} / (\text{Period Measurement Feedback})$.

When the CFB bit = 0 and the device is not in calibration mode, the actual output frequency of each channel can be determined by reading the 12 bit Period Feedback field in the FEEDBACK register. This field contains the number of system clocks (Fsys) counted during the most recently completed PWM period divided by 16, this is the same resolution as the PWM set register.

When the CFB bit = 1 and the device is not in calibration mode, the FEEDBACK register contains two 8 bit Current Feedback (CFB) fields. The contents of these fields represent the minimum and maximum load current measured by the analog current measurement circuit blocks over the most recent dither cycle when dither is enabled. Otherwise, these fields contain the minimum and maximum load current values since the last read of the FEEDBACK register. $I_{min} \text{ and } I_{max} = 3 * \text{readout} / 256$.

When the CFB bit = 1 and the device is not in calibration mode, the FEEDBACK register contains an 8 bit field which contains the number of full switching cycles in the last dither cycle. This information can be used by the microcontroller to calculate the average switching cycle period over a dither period. If dither is disabled, the contents of this register is 0.

The contents of the feedback registers are 0 when the respective channel is not operating. The number of PWM cycles per dither cycle value is 0 if dither is disabled.

8.9 Calibration Mode

In case the accuracy of the current regulation must be improved by module calibration, the TLE 82453 device includes a calibration mode of operation. In order to enter calibration mode, the CM bit in the CALIBRATION

Current Control

register must be set by writing a 1 to this bit location. Calibration mode will not be entered unless the setpoint for all three channels is zero and the EN enable bit (in the SETPOINT register) is set to "1". If one or more of the channels is not off and a "1" is written to the CM bit, the write command is ignored and the CM bit will remain at 0. In the Calibration Mode of operation, the individual transistors of the output stages can be controlled by writing to the CALx bits in the CALIBRATION register. The resulting output current will be measured by the device and can be monitored by reading the FEEDBACK register. When the device is in calibration mode, the FEEDBACK register contains a 16 bit field which represents the average load current measured during the calibration. $I_{cal} = 1.5 * \text{readout} / 65536$. The Current Feedback Register is not valid if the PWM period is set to 0x00 in the PWM Register. **C**urrent limitation is not active during calibration mode. Exceeding 1.5 amps may damage the the device.

8.10 Electrical Characteristics

Table 7 Electrical Characteristics: Current Control

$V_{BAT} = 8\text{ V to }17\text{ V}$, $V_{DDx} = 4.75\text{ V to }5.25\text{ V}$, $T_j = -40\text{ }^\circ\text{C to }+150\text{ }^\circ\text{C}$, all voltages with respect to ground, positive current flowing into pin
(unless otherwise specified)

| Parameter | Symbol | Values | | | Unit | Note / Test Condition | Number |
|-----------------------------------|----------------|--------|-------|--------------------|-------------|---|-----------|
| | | Min. | Typ. | Max. | | | |
| Average Current Regulation | | | | | | | |
| Current measurement range | I_{MEAS} | 0 | | 1500 ¹⁾ | mA | target | P_8.10.1 |
| Current setpoint resolution | I_{SPRES} | – | 0.73 | – | mA | | P_8.10.2 |
| Output current accuracy | $I_{SPACCL1}$ | -5 | | 5 | mA | $0\text{A} < I_{LOAD} < 0.5\text{A}$ $-40\text{C} < T_j < 125\text{C}$ | P_8.10.3 |
| Output current accuracy | $I_{SPACCH1}$ | -1 | | 1 | % | $0.5\text{A} < I_{LOAD} < 1.5\text{A}$ $-40\text{C} < T_j < 125\text{C}$ | P_8.10.4 |
| Output current accuracy | $I_{SPACCL2}$ | -7.5 | | 7.5 | mA | $0\text{A} < I_{LOAD} < 0.5\text{A}$ $-40\text{C} < T_j < 150\text{C}$ | P_8.10.5 |
| Output current accuracy | $I_{SPACCH2}$ | -1.5 | | 1.5 | % | $0.5\text{A} < I_{LOAD} < 1.5\text{A}$ $-40\text{C} < T_j < 150\text{C}$ | P_8.10.6 |
| Accuracy Lifetime Drift | | | 0.25% | | | ²⁾ | P_8.10.7 |
| PWM period control | | | | | | | |
| PWM period range | t_{PWM_RNG} | 16 | | 65535 | cycles | F_{SYS} cycles ³⁾ | P_8.10.8 |
| PWM period resolution | t_{PWM_RES} | | 16 | | cycles /lsb | F_{SYS} cycles | P_8.10.9 |
| Dither | | | | | | | |
| Dither amplitude range | I_{DARNG} | 0 | – | 46 | mA | steps = 1 | P_8.10.10 |
| Dither amplitude resolution | I_{DARES} | – | 0.73 | – | mA | steps = 1 | P_8.10.11 |
| Dither period range | T_{DRNG} | 0.007 | | 100,000 | ms | | P_8.10.12 |

1) The maximum obtainable average current value is dependent on the chosen PWM frequency, the chosen dither amplitude, and the load impedance.

2) This value corresponds to the maximum evaluated life time drift according to AEC-Q100 grade 1.

3) The minimum and maximum achievable PWM frequencies depend on the load characteristics.

9 Protection Functions

9.1 Overview

The device provides embedded protection functions which are designed to prevent IC destruction under fault conditions described in this datasheet. Fault conditions are considered as “outside” normal operating range. Protection functions are neither designed for continuous nor for repetitive operation. There are overload, overtemperature, and overvoltage protection circuits implemented in this device

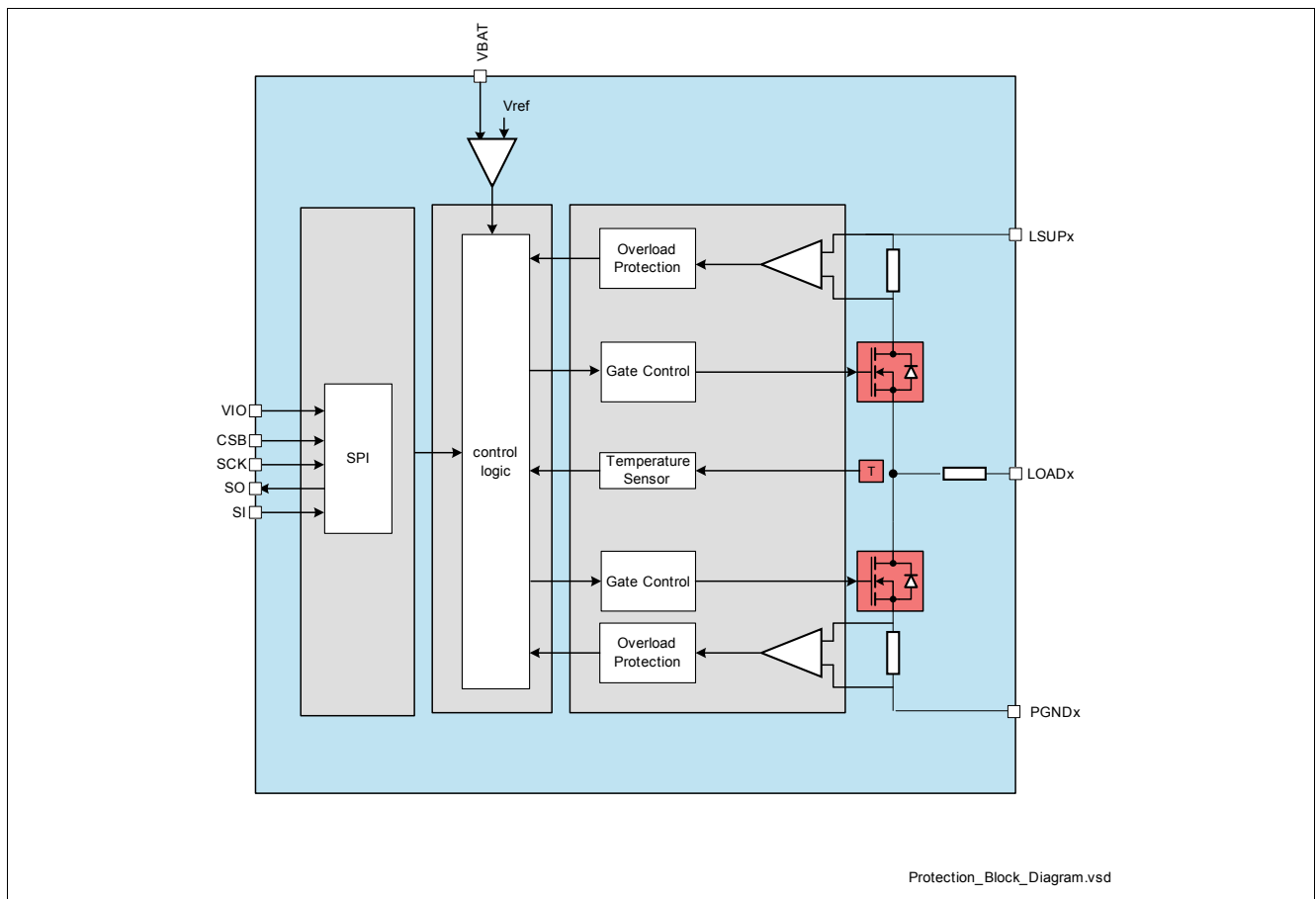


Figure 11 Protection Functions Block Diagram

9.2 Over Current Protection

The load current is limited by the device itself in case of over load. An overload can be caused by a short to ground when the channel is configured for high-side operation, or by a short to battery when the channel is configured for low-side operation. The channel is switched off when the overload condition is detected, the setpoint is cleared, and a fault bit is latched in the DIAGNOSIS register. The fault bit is cleared when the DIAGNOSIS register is read by an SPI access. The channel can be turned on again by re-activating the channel by setting a nonzero average current setpoint. See the Diagnostic Functions Section (Section 10) for further description.

9.3 Over Temperature Protection

A temperature sensor for each channel is used to switch off an over-heated channel to prevent destruction. When an overtemperature fault is detected, the channel is automatically turned off and the setpoint is cleared to 0 mA. The channel remains off until the channel temperature has decreased by the thermal hysteresis value DTSD and

the channel is reactivated by setting a non-zero set point by SPI. A fault bit is latched in the DIAGNOSIS register when the overtemperature fault is detected. The fault remains latched until the DIAGNOSIS register has been read and the fault condition is no longer present.

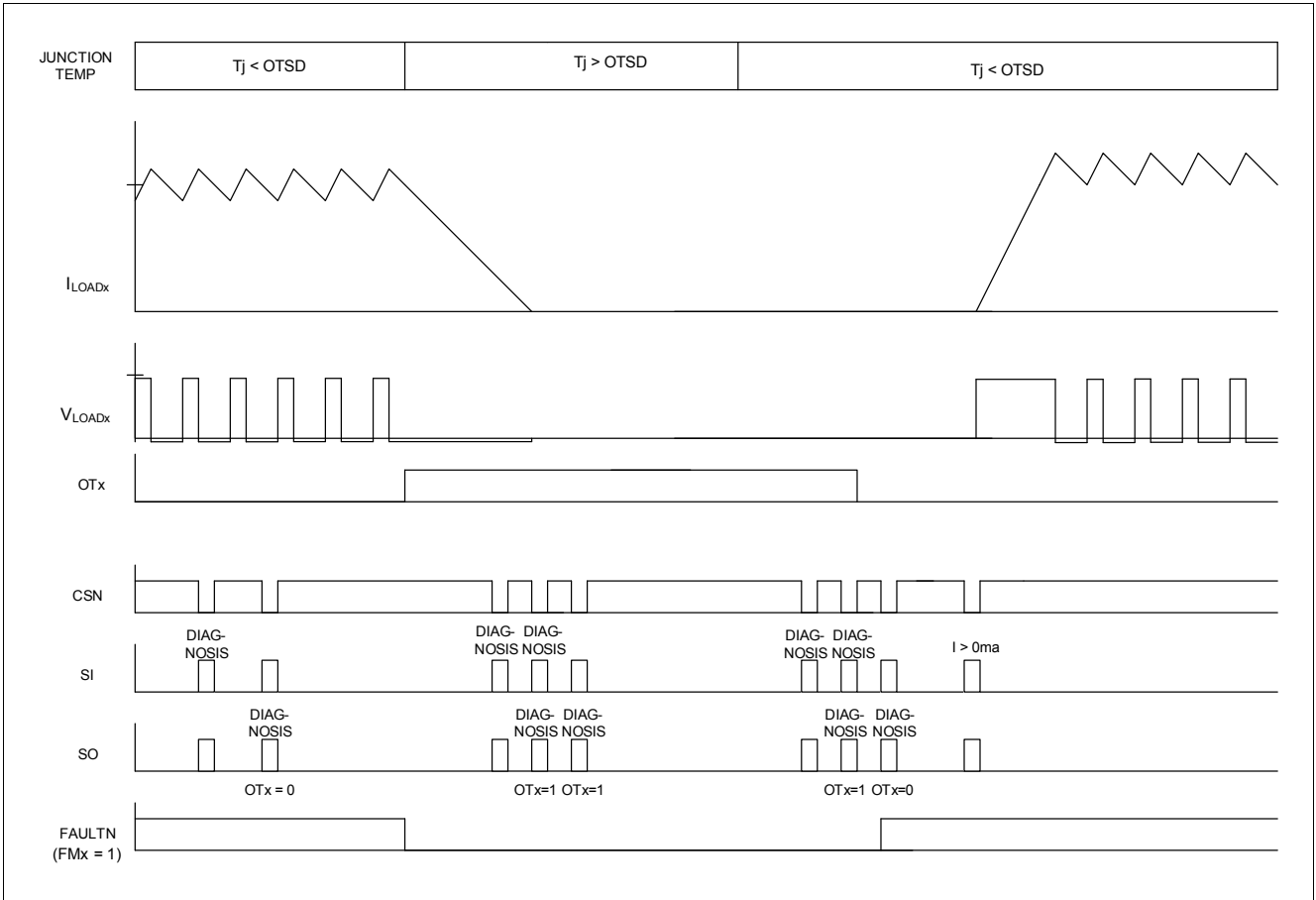


Figure 12 Over Temperature Timing Diagram (High-Side Configuration)

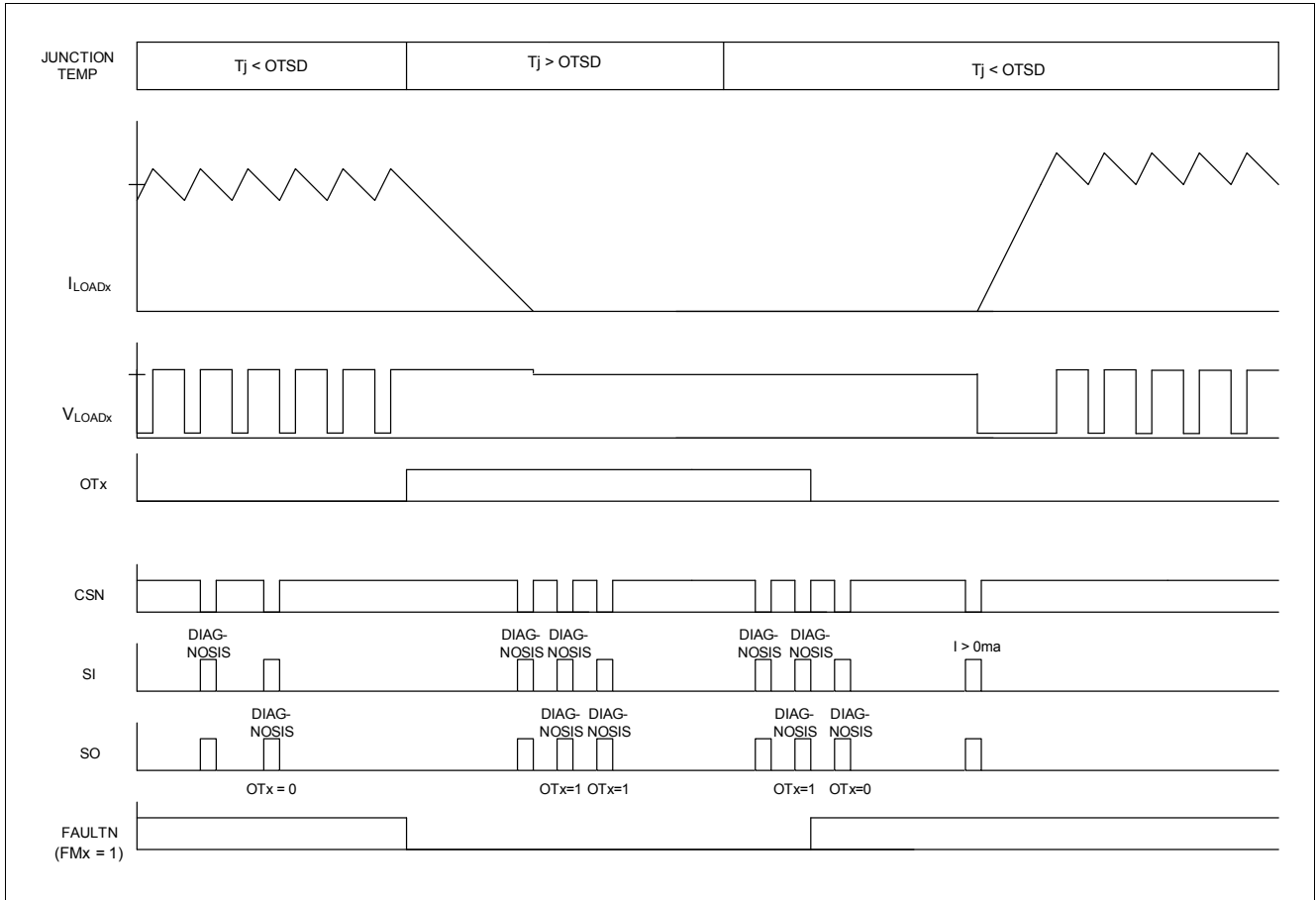


Figure 13 Over Temperature Timing Diagram (Low-Side Configuration)

9.4 Over Voltage Shutdown

This feature is implemented to protect the internal power transistors from damage due to overvoltage on the VBAT pin. If the voltage on the VBAT pin exceeds the VBAT overvoltage threshold an overvoltage fault bit will be set in the diagnostic register. This fault bit will be latched until the diagnostic register is read by SPI and the overvoltage condition no longer exists. All channels are disabled while the overvoltage condition exists and the setpoints of all channels are cleared to 0 mA.

The charge pump output voltage is clamped to approximately 50V. The charge pump undervoltage fault (CPUV) may be set before the VBAT over voltage fault bit is set depending on the rise time of the VBAT voltage.

9.5 Electrical Characteristics

Table 8 Electrical Characteristics: Protection Functions

$V_{BAT} = 8\text{ V to }17\text{ V}$, $V_{DDX} = 4.75\text{ V to }5.25\text{ V}$, $T_j = -40\text{ °C to }+150\text{ °C}$, all voltages with respect to ground, positive current flowing into pin
(unless otherwise specified)

| Parameter | Symbol | Values | | | Unit | Note / Test Condition | Number |
|------------------------------------|-------------------|--------|------|------|--------|---|---------|
| | | Min. | Typ. | Max. | | | |
| Over Load Protection | | | | | | | |
| Load current limitation | $ I_{LOAD_LIM} $ | 1.6 | 3 | 6 | A | note: operates over range $V_{LSUP_UV} < V_{LSUP} < V_{BAT} + 0.3\text{V}$, $V_{DDX_UV} < V_{DDX} < 5.5\text{V}$ | P_9.5.1 |
| Over current detection filter time | T_{OC} | 20 | | 40 | cycles | Fsys cycles | P_9.5.2 |
| Over Temperature Protection | | | | | | | |
| Thermal shut down temperature | T_{SD} | 170 | | 190 | °C | 1) | P_9.5.3 |
| Thermal hysteresis | ΔT_{SD} | | 30 | | °C | 1) | P_9.5.4 |
| Over Voltage Protection | | | | | | | |
| Overvoltage threshold on VBAT | V_{BAT_OV} | 40 | | 44 | V | | P_9.5.5 |

1) Not subject to production test, specified by design.

10 Diagnosis Functions

10.1 Overview

For diagnosis purposes, the device provides a FAULTN pin and a DIAGNOSIS register accessed through the SPI interface. The following table lists the types of load faults which are detected in each mode of operation.

| | HIGH_SIDE CONFIG | | LOW_SIDE CONFIG | |
|-------------------------|------------------|-----|-----------------|-----|
| | OFF (0 ma) | ON | OFF (0 ma) | ON |
| OPEN LOAD | YES | YES | YES | YES |
| SHORT TO BATTERY | YES | YES | NO | YES |
| SHORT TO GROUND | NO | YES | YES | YES |

Figure 14 Fault Conditions Detected in Each Mode of Operation

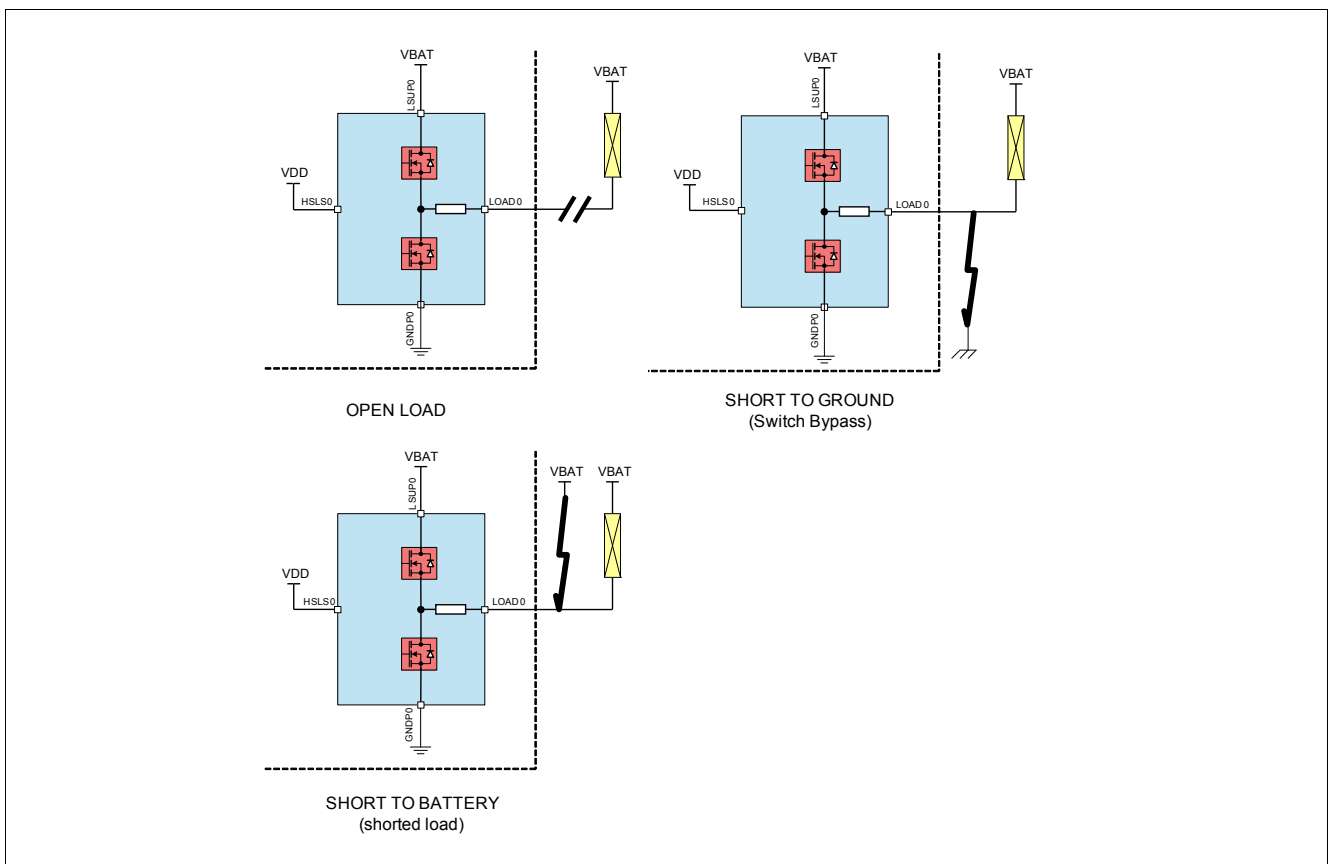


Figure 15 Fault Conditions for Low-Side Configuration

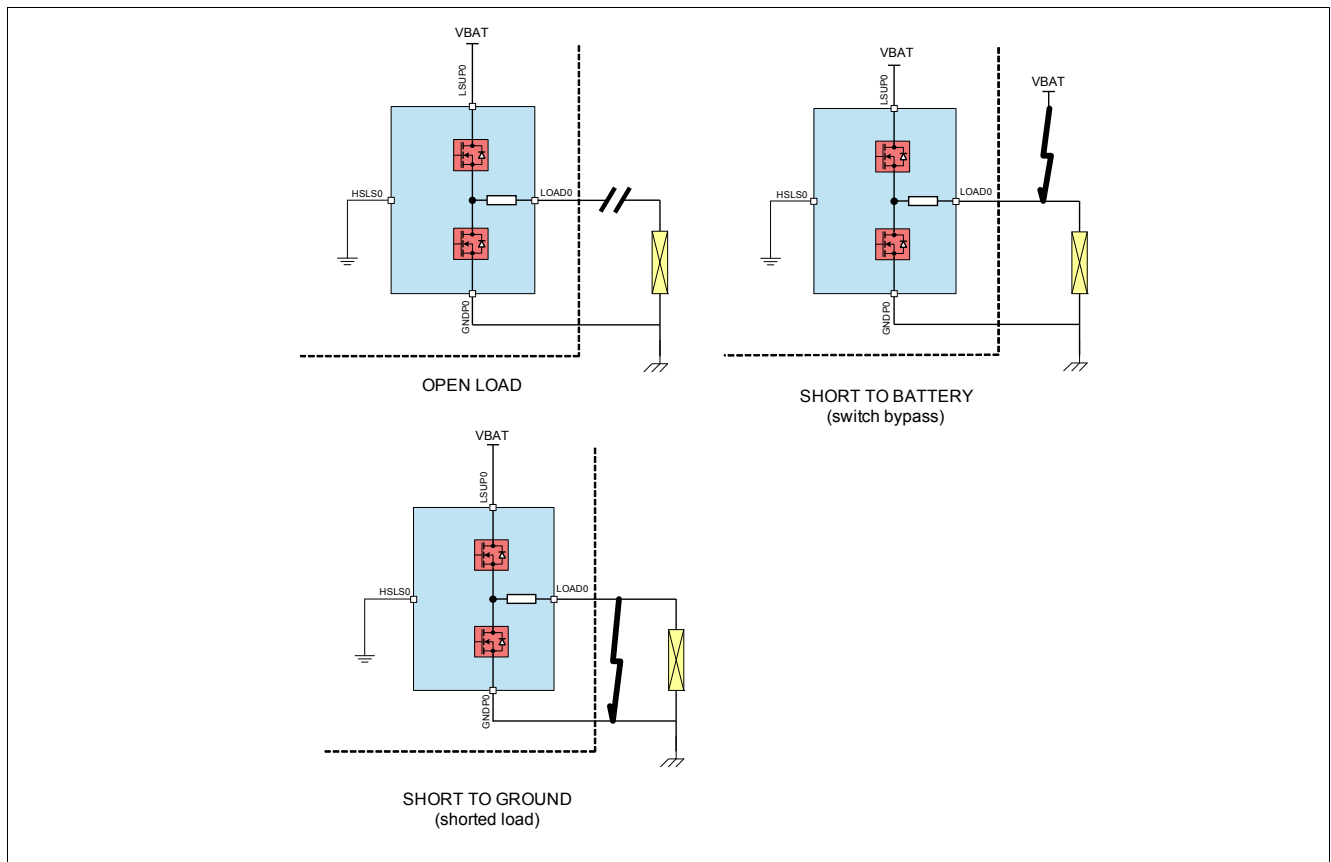


Figure 16 Fault Conditions for High-Side Configuration

10.2 FAULTN pin

The FAULTN pin is an open drain output pin. The FAULTN pins of multiple devices can be connected to form a “wired AND” circuit. The FAULTN pin can be used to generate an external interrupt to the microcontroller whenever a fault is detected. The microcontroller must then interrogate the device by the SPI interface to determine the type of the fault and the faulted channel number.

The FAULTN pin is pulled low when one of following unmasked faults is detected.

- overcurrent
- overtemperature
- open load in on state
- switch bypass in on state
- RESN pin is in low state
- EN pin is in low state
- internal reset is active due to VDDx undervoltage
- CLK pin signal fault
- VBAT pin overvoltage
- LSUPx pin overvoltage

Certain faults can be masked by setting the appropriate mask bits in the configuration SPI register. A masked fault has no effect on the FAULTN pin.

During power-up, the FAULTN pin is held low until the device is ready to operate. The FAULTN pin will transition from low to high automatically after power-up.

10.3 FAULT mask bits

The CONFIGURATION register includes fault mask bits which can be used to allow or prevent a fault from activating the FAULTN pin. Setting the FME bit to 1 will cause the FAULTN pin to be held low whenever the EN pin is low. If the FME bit is set to 0, the FAULTN pin is not affected by the state of the EN pin voltage. Setting the FMx bit to 1 will cause the FAULTN pin to be held low whenever a OTx, OVCx, UVx, or OLSBx fault is detected on the respective channel. If the FMx bit is set to 0, the state of the OTx, OVCx, UVx, and OLSBx fault bits will not affect the state of the FAULTN pin.

10.4 Overcurrent fault

The device is protected from a short across the load by an overcurrent shutdown feature. This fault condition is detected when the channel is turned on. After the fault is detected the channel is turned off, the setpoint is cleared to 0 mA, and the overcurrent fault bit, OVCx, is set. The channel will remain latched off until the setpoint of the channel has been set to a non-zero value by SPI. When an overcurrent fault is detected, the OVCx fault bit is latched. The fault bit is cleared when the DIAGNOSIS register is read.

The functional range for the short circuit detection depends on the setpoint and the pwm period. For further details refer to Application note.

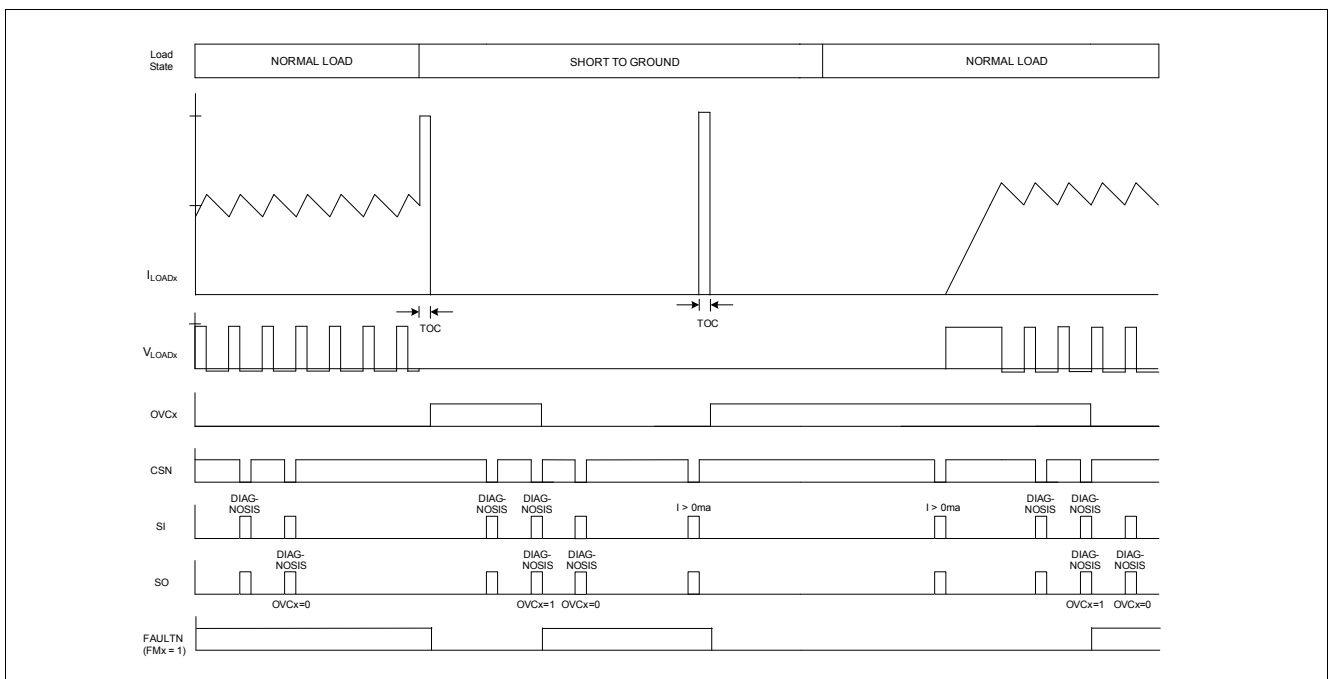


Figure 17 Over-Current Fault in High-Side Configuration

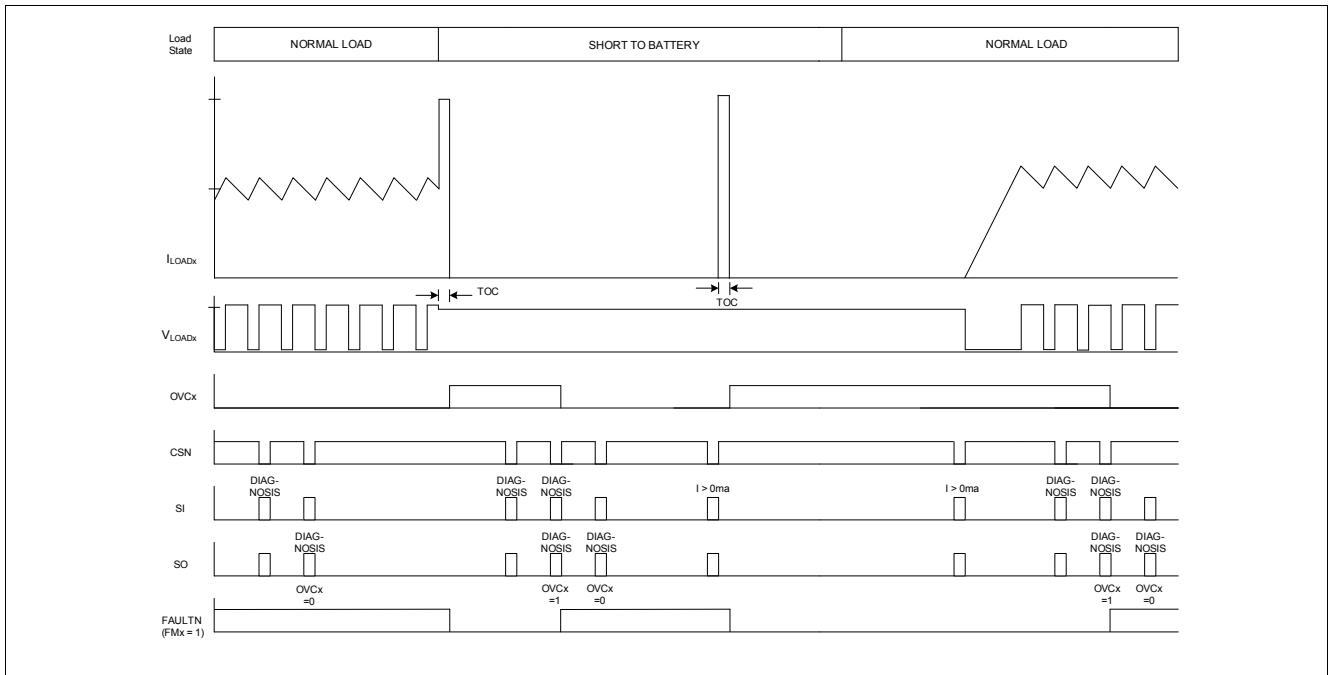


Figure 18 Over-Current Fault in Low-Side Configuration

10.5 Open Load / Switch Bypass Fault

An open load fault and a switch bypass fault can be detected when the setpoint of the faulted channel is equal to 0 mA (channel off) and when the setpoint is greater than 0 mA (channel operating). The switch bypass fault is a short to battery fault when the channel is configured as a high-side driver and a short to ground when the channel is configured as a low-side driver.

The device detects an open load or switch bypass fault in the operating condition by monitoring the load current. If the load current is below the OLSB threshold current for a time greater than the OLSB delay time (on state), then the OLSBx fault bit is set and the channel is turned off. The OLSBx fault bit is latched when the fault occurs, and it is cleared when the DIAGNOSIS register is read and the fault is no longer present. The channel may be turned on again writing the desired setpoint to the setpoint register after the diagnosis register has been read. The type of fault needs to be verified using the OLOff test described in Application note.

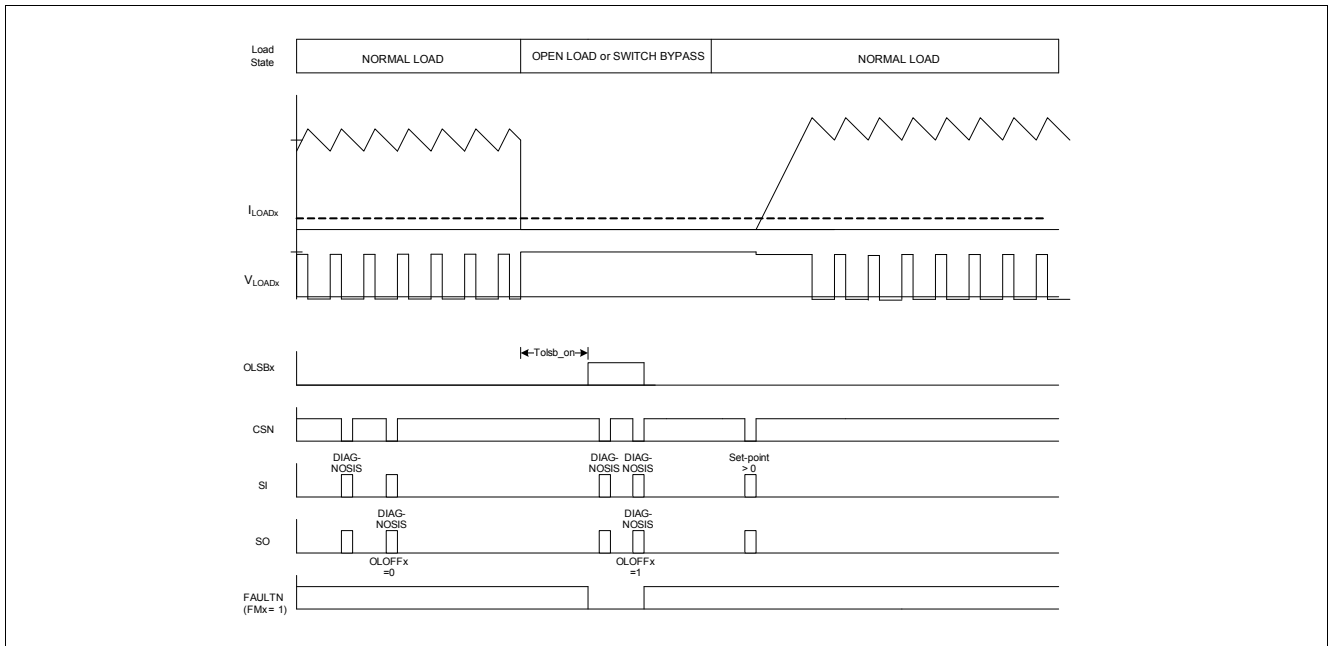


Figure 19 OLSB Fault - On State Timing Diagram (High-Side Configuration)

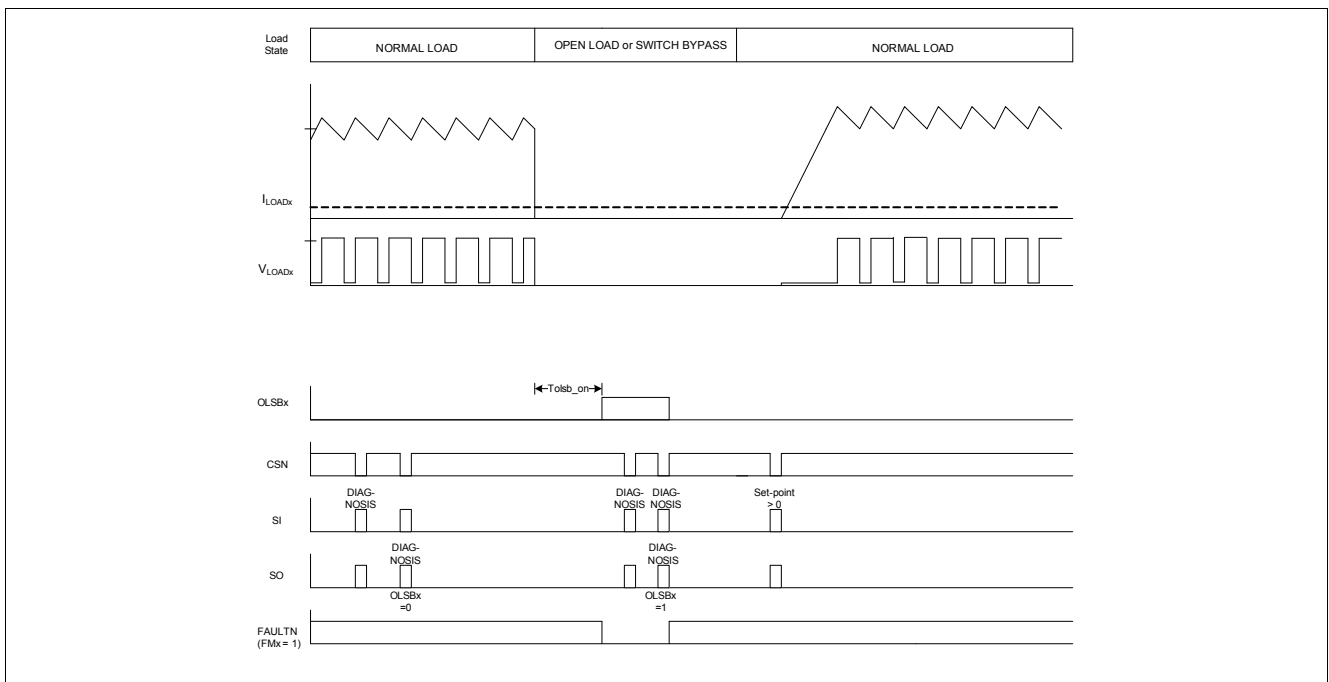


Figure 20 OLSB Fault - On State Timing Diagram (Low-Side Configuration)

The device detects an open load / switch bypass fault when the channel is turned off by applying a weak current source to the LOADx pin and comparing the LOADx pin voltage to $V_{LSUPx}/2$. A pull up current source or a pull down current sink can be activated by setting the IDIAGx Select field of the CONFIGURATION register. The programmed current source is automatically enabled when the setpoint is set to 0 and the EN bit in the setpoint register is set to 1. It is disabled when the setpoint is set to a value greater than 0 or the EN bit is set to 0. A simplified block diagram of the OLOFF detection circuit when the channel is disabled is shown in [Figure 21](#). The OL-OFF fault bit is not latched in this case. The fault bit will be cleared when the fault is no longer present.

When the channel is disabled and an OL-OFF fault is detected, it is possible to discriminate between an open load fault and a switch bypass fault by changing the IDIAG current source. For a high-side configured channel, the pull

up current source must be initially enabled in order to detect the OL-OFF fault. Once this fault is detected, the pull up current source current can be disabled and the pull down current can be enabled by SPI in order to determine if the fault is an open load or a short to battery.

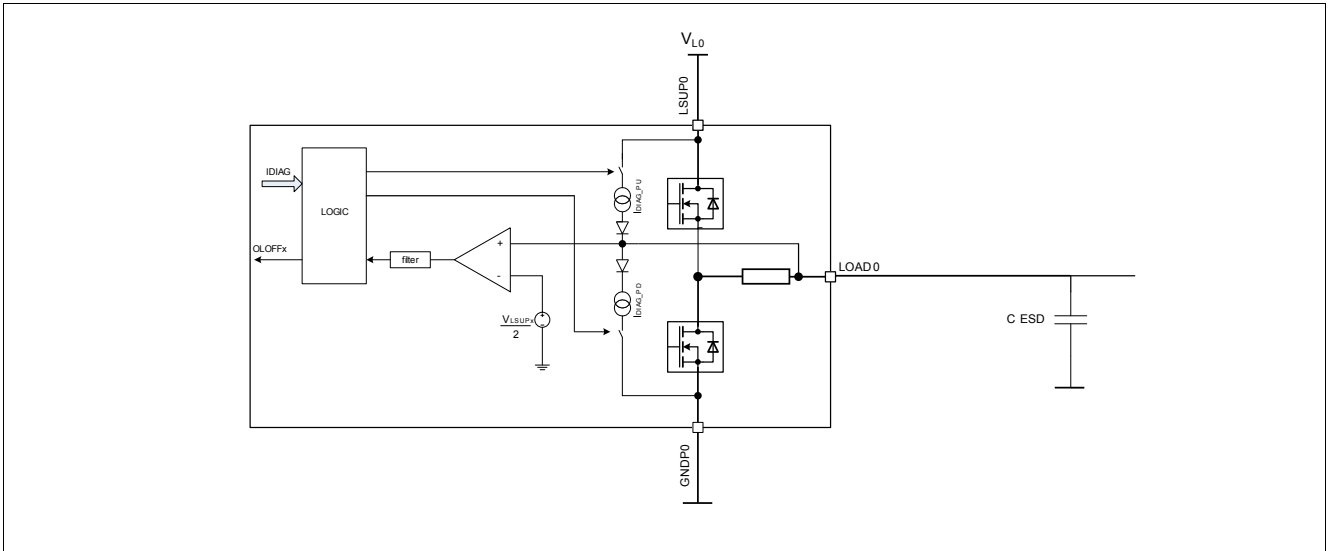


Figure 21 OLSB Fault - Off State Block Diagram

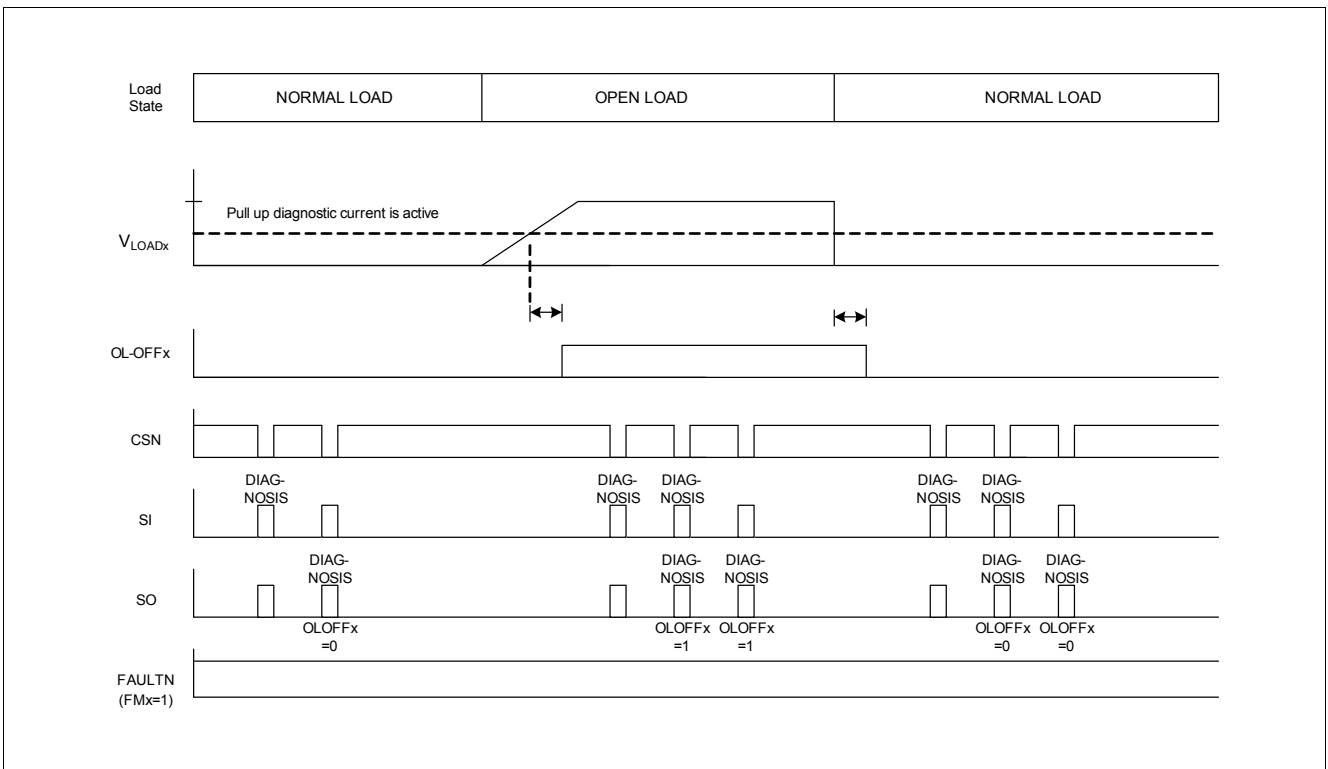


Figure 22 Open Load Fault - Off State Timing Diagram (High-Side Configuration)

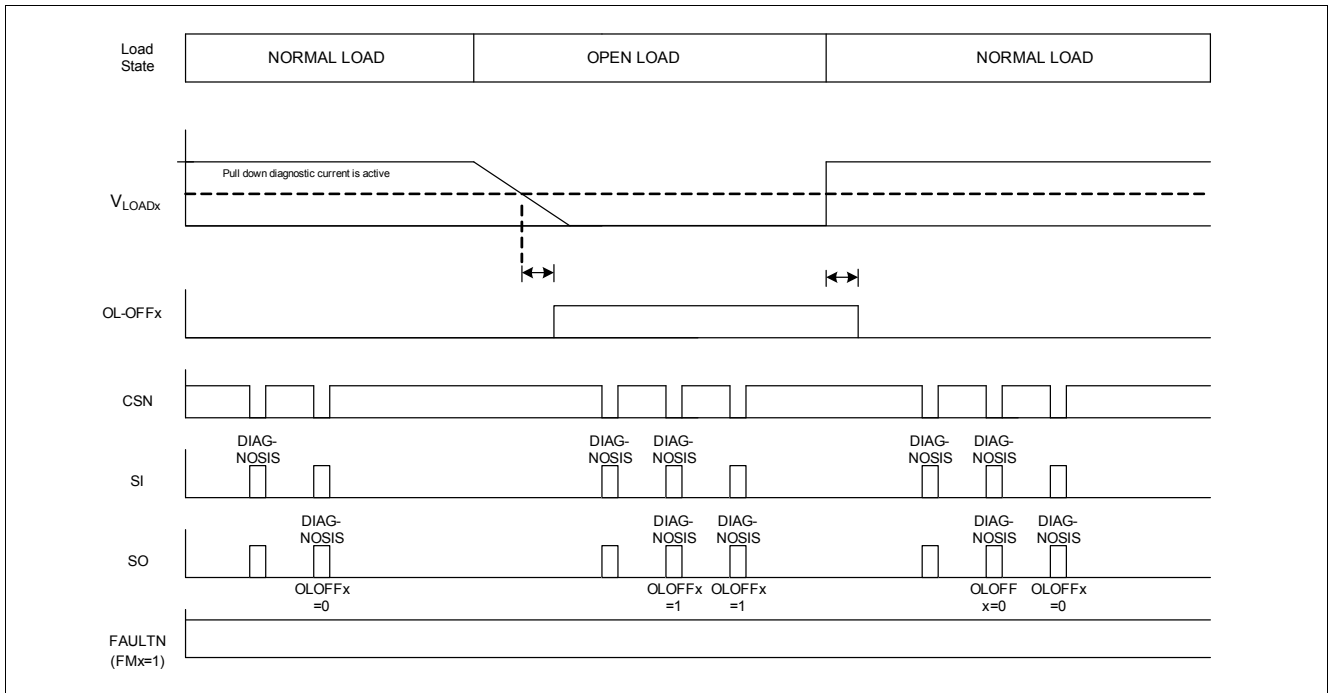


Figure 23 Open Load Fault - Off State Timing Diagram (Low-Side Configuration)

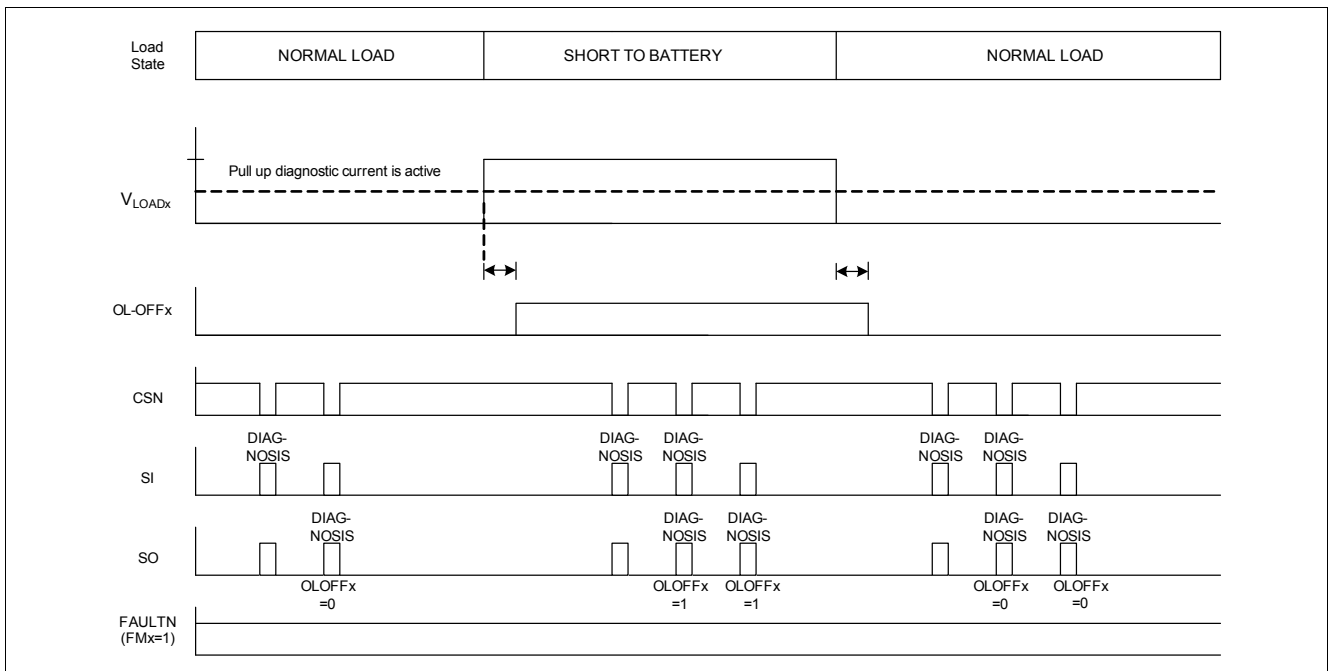


Figure 24 Switch Bypass Fault - Off State Timing Diagram (High-Side Configuration)

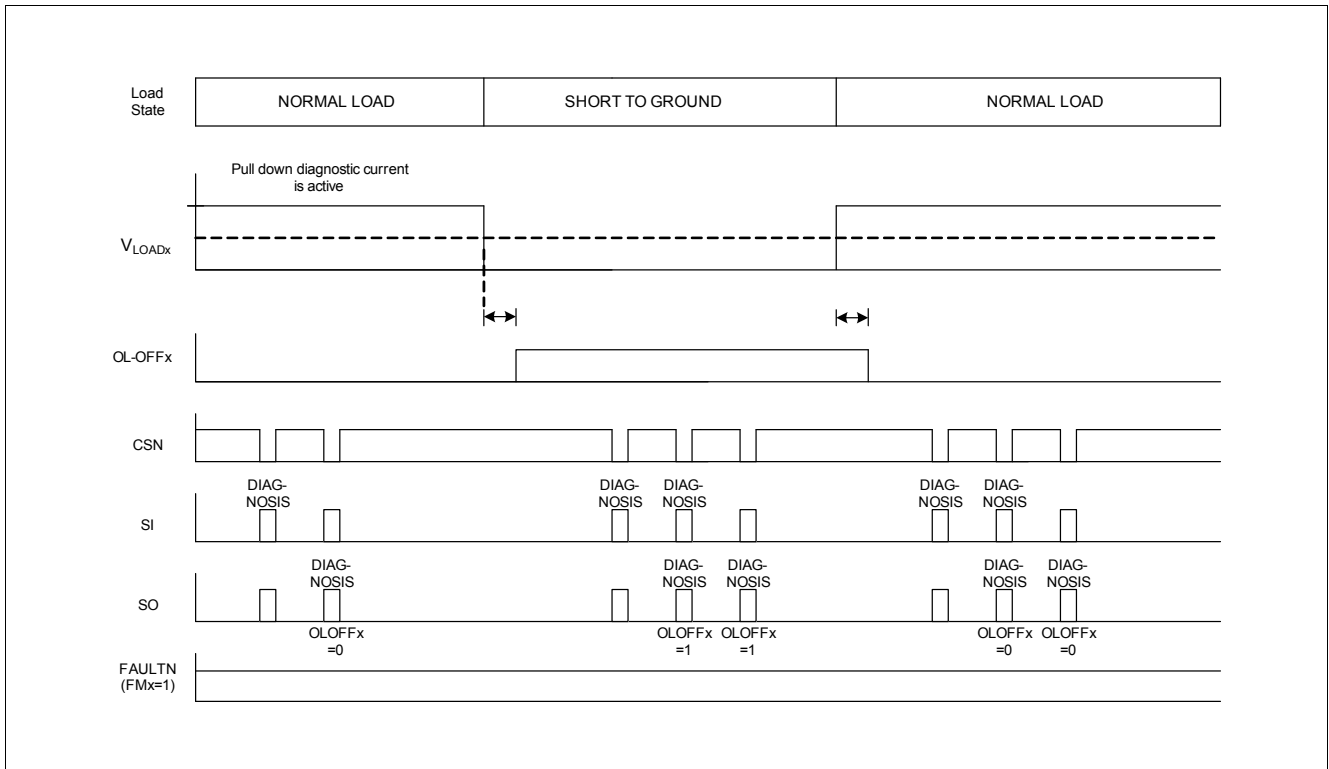


Figure 25 Switch Bypass Fault - Off State Timing Diagram (Low-Side Configuration)

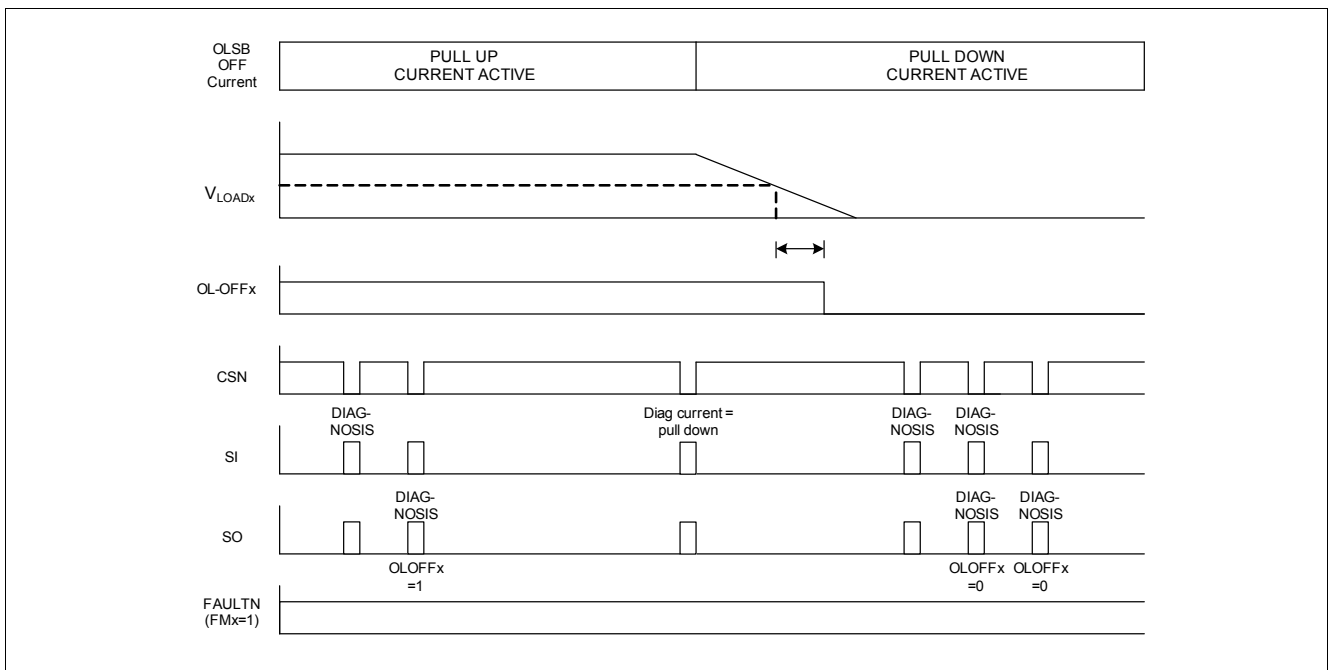


Figure 26 Open Load Fault - Off State Discrimination Timing Diagram (High-Side Configuration)

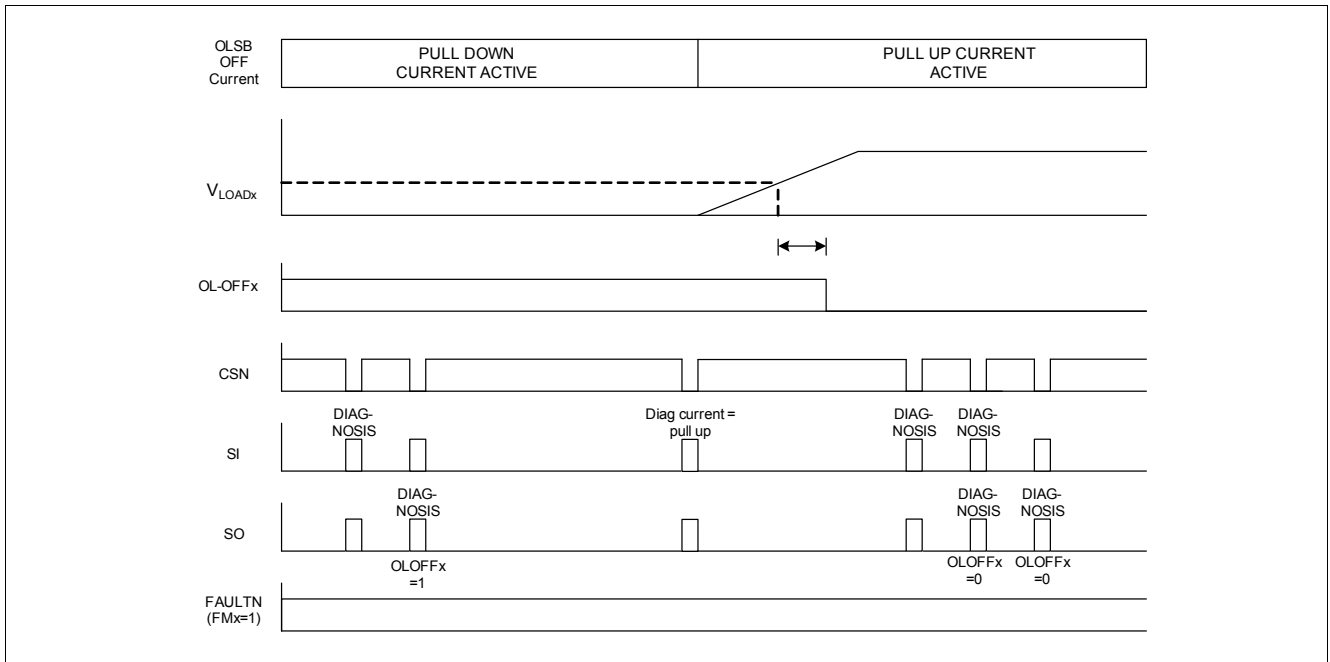


Figure 27 Open Load Fault - Off State Discrimination Timing Diagram (Low-Side Configuration)

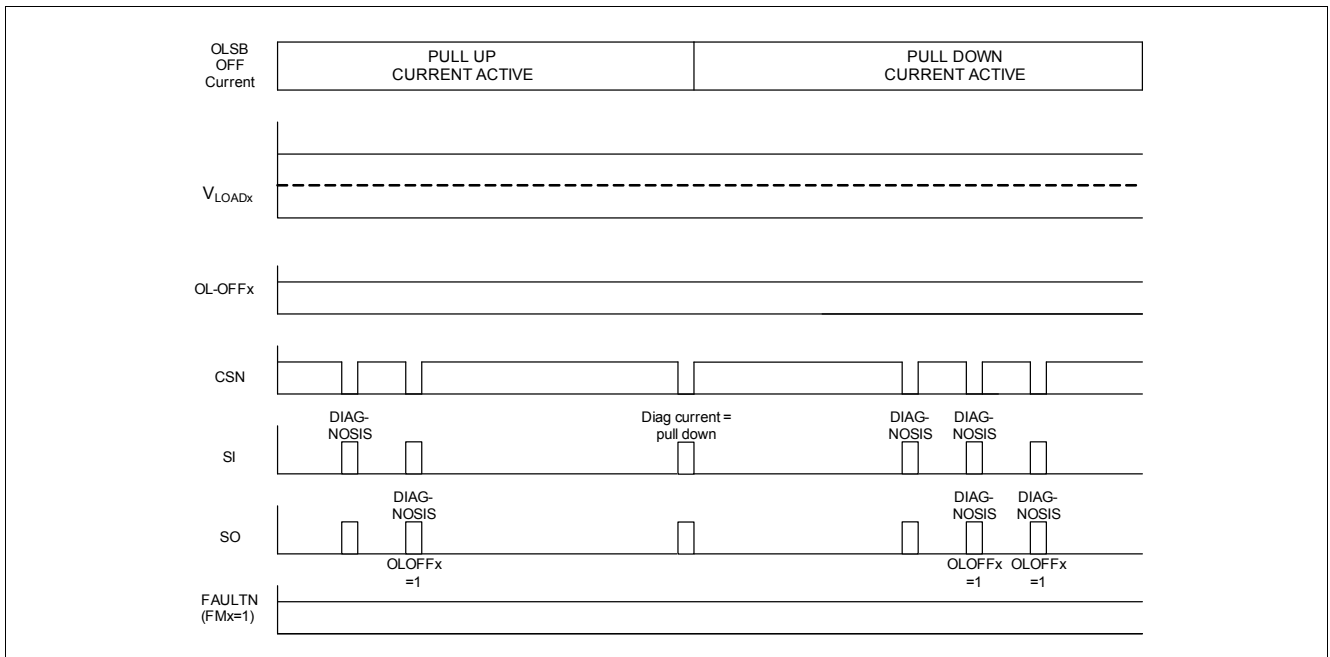


Figure 28 Switch Bypass Fault - Off State Discrimination Timing Diagram (High-Side Configuration)

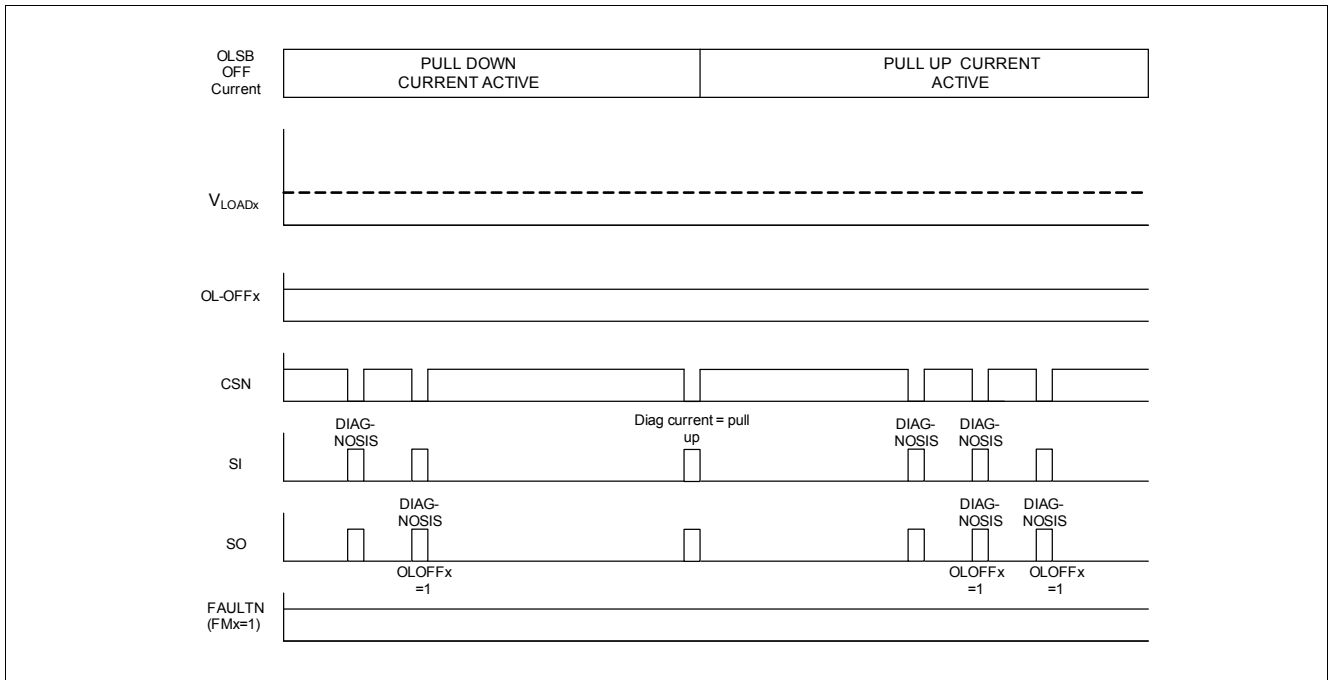


Figure 29 Switch Bypass Fault - Off State Discrimination Timing Diagram (Low-Side Configuration)

10.6 Supply Out of Range Fault

The LSUPx pins, the CPOUT pin, and the VBAT pin are connected to internal monitor circuits which disable the output channels if the pin voltage is out of range. The VBAT pin is connected to an over-voltage detection circuit block. The CPOUT and LSUPx pins are connected to undervoltage detection circuits. When the voltage on these pins exceeds the shutdown threshold, a fault bit is set and the channel is disabled. The fault bits are latched until the DIAGNOSIS register is read and the voltage is in the correct range. When a CPUV fault occurs, all channels are turned off and the setpoints are cleared. The channels can be reactivated when the CPUV fault is not present by reading the DIAGNOSIS register and setting the setpoint.

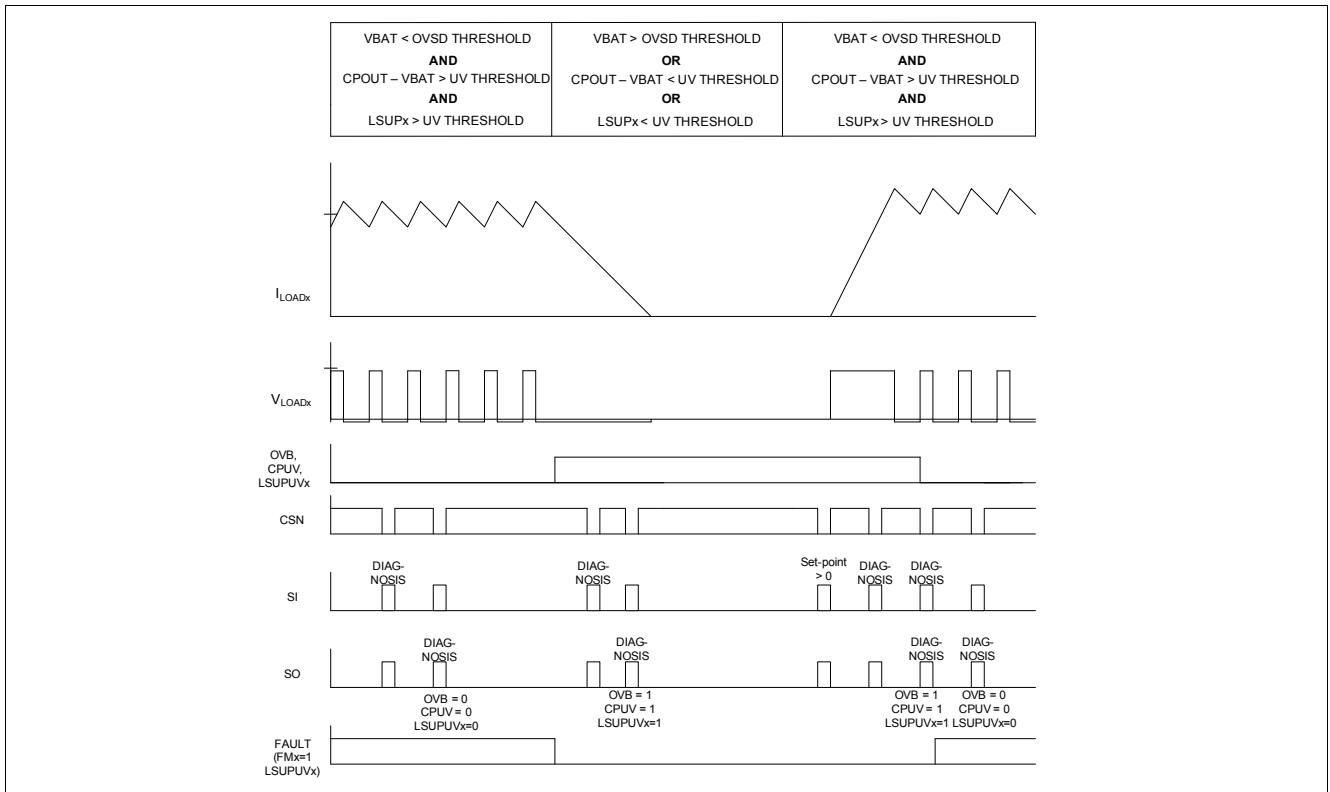


Figure 30 Supply Out of Range Fault in High-Side Configuration

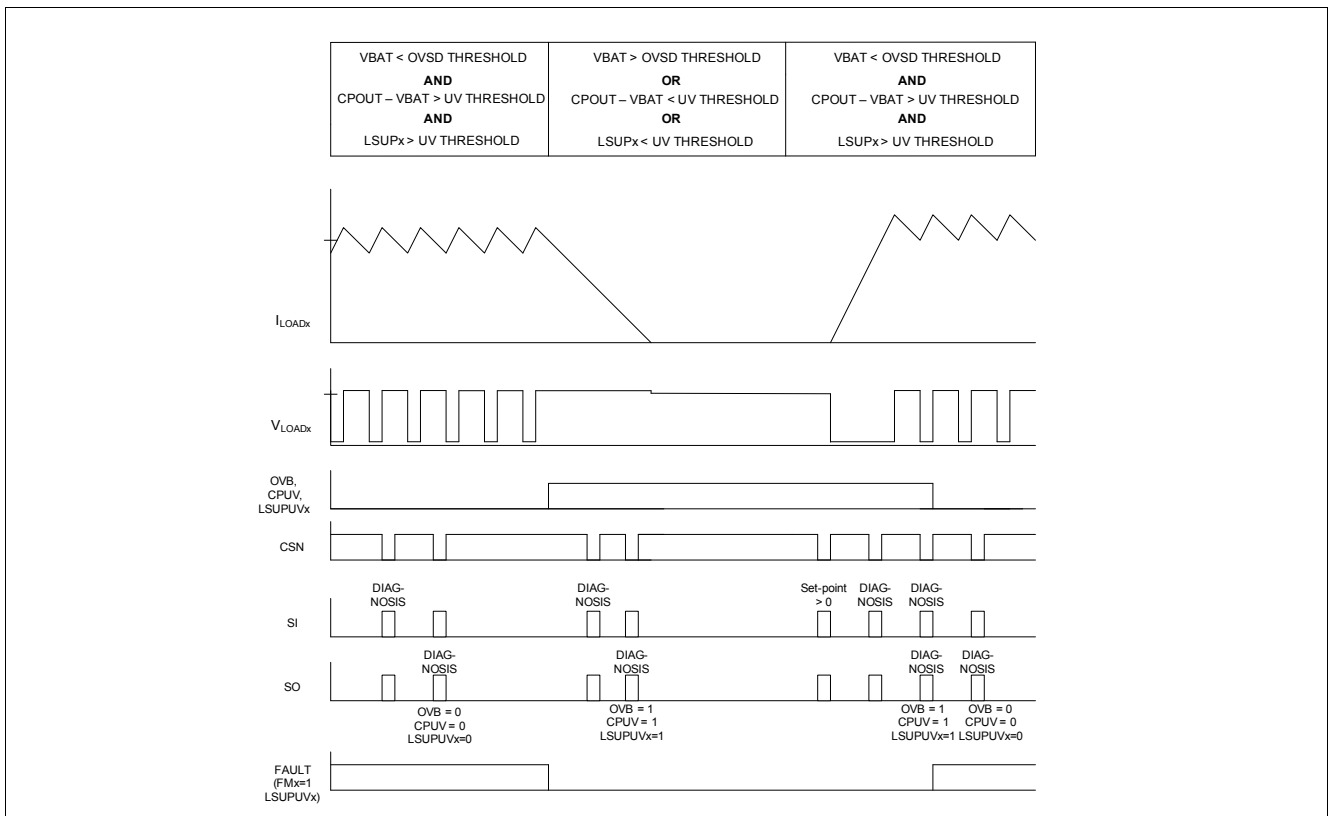


Figure 31 Supply Out of Range Fault in Low-Side Configuration

10.7 CRC Fault

The device contains EEPROM cells for storing calibration data. These cells are accessed during start up and periodically during operation of the device. A Cyclical Redundancy Checking (CRC) feature is included to detect errors in the reading of the EEPROM. If an error is detected, the CRC error bit will be set in the DIAGNOSIS register. All channels will remain operational, but the accuracy of the current control may be degraded. The CRC fault bit is cleared upon reading the Diagnosis Register.

10.8 Regulator Error Fault (REx)

The DIAGNOSIS register includes a regulator error bit for each channel. This bit is set when the controller is not able to regulate the load current to the setpoint value. The RE bit is set when the integrator output exceeds the lower or upper integrator limits. When Autolimit is active (during a setpoint change), the RE bit is set if the integrator output exceeds the upper or lower limit for more than 8 PWM cycles. The REx fault bits are cleared upon reading the Diagnosis Register. During a REx error the output will not shut off. The output goes into a 100% duty cycle until the load and voltage conditions allow pwm to resume. During a REx the current feedback values will not be correct until normal pwm conditions return.

10.9 Electrical Characteristics

Table 9 Electrical Characteristics: Diagnosis

$V_{BAT} = 8\text{ V to }17\text{ V}$, $V_{DDx} = 4.75\text{ V to }5.25\text{ V}$, $T_j = -40\text{ }^\circ\text{C to }+150\text{ }^\circ\text{C}$, all voltages with respect to ground, positive current flowing into pin
(unless otherwise specified)

| Parameter | Symbol | Values | | | Unit | Note / Test Condition | Number |
|--|------------------|----------------|------|----------------|---------------|-----------------------------------|----------|
| | | Min. | Typ. | Max. | | | |
| Shorted load resistance threshold | R_{SL_ON} | 0.5 | | | Ω | ¹⁾ | P_10.9.1 |
| Open load - switch bypass threshold current range (on state) | I_{OLSB_ON} | 0 | | 375 | mA | Configurable | P_10.9.2 |
| Open load - switch bypass delay time (on state) | T_{OLSB_ON} | | 8192 | | cycles | Fsys cycles | P_10.9.3 |
| Off-State pull up current | I_{DIAG_UP} | -600 | | -100 | μA | $V_{LOAD} < V_{LSUP} - 4\text{V}$ | P_10.9.4 |
| Off-State pull down current | I_{DIAG_DN} | 100 | | 600 | μA | $V_{LOAD} > 4\text{V}$ | P_10.9.5 |
| Off-state LOADx threshold voltage | V_{LOAD_DIAG} | 0.42* VLSUP | | 0.58* VLSUP | V | independent of VBAT voltage | P_10.9.6 |

1) Not subject to production test, specified by design.

11 Serial Peripheral Interface (SPI)

11.1 Description of Interface

The diagnosis and control communication interface is based on the standard serial peripheral interface (SPI). The SPI is a full duplex synchronous serial slave interface which uses four signal lines: SO, SI, SCK, and CSN. Data is transferred by the lines SI and SO at the data rate given by SCK. The falling edge of CSN indicates the beginning of a data access. Data is sampled in on line SI at the falling edge of SCK and shifted out on line SO at the rising edge of SCK. Each access must be terminated by a rising edge of CSN. A counter ensures that data is taken only when 32 bits have been transferred. If in one transfer cycle the number of bits transferred is not 32, the data frame is ignored

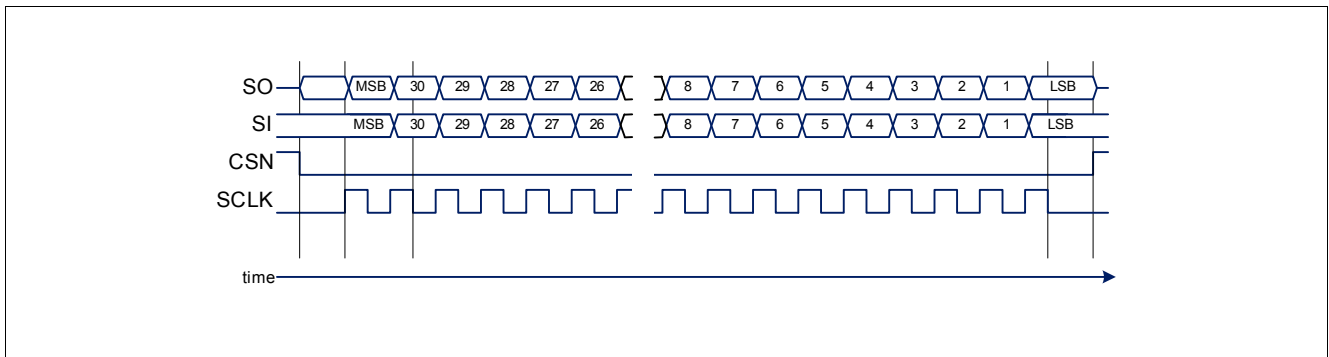


Figure 32 SPI Interface Signal Overview

11.2 Timing Diagrams

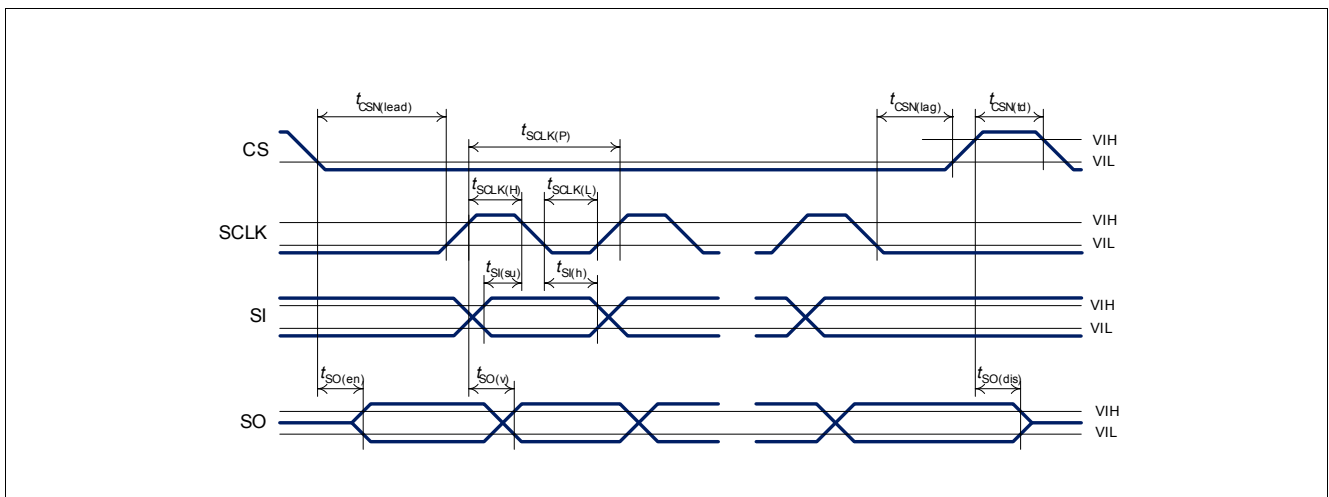


Figure 33 SPI Signal Timing Diagram - Thresholds = 20% / 80%

11.3 Electrical Characteristics SPI Interface

Table 10 Electrical Characteristics: SPI

$V_{BAT} = 8\text{ V to }17\text{ V}$, $V_{DDx} = 4.75\text{ V to }5.25\text{ V}$, $T_j = -40\text{ }^\circ\text{C to }+150\text{ }^\circ\text{C}$, all voltages with respect to ground, positive current flowing into pin
(unless otherwise specified)

| Parameter | Symbol | Values | | | Unit | Note / Test Condition | Number |
|--|-----------------|--------|------|------|--------|-------------------------------------|-----------|
| | | Min. | Typ. | Max. | | | |
| Serial clock frequency | f_{SCLK} | 0 | | 8 | MHz | ^{1) 2)} | P_11.3.1 |
| Serial clock high time | t_{SCLKH} | 50 | | | ns | ¹⁾ | P_11.3.2 |
| Serial clock low time | t_{SCLKL} | 50 | | | ns | ¹⁾ | P_11.3.3 |
| Enable lead time (falling CSN to rising SCLK) | t_{CSN_LEAD} | 250 | | | ns | ¹⁾ | P_11.3.4 |
| Enable lag time (falling SCLK to rising CSN) | t_{CSN_LAG} | 250 | | | ns | ¹⁾ | P_11.3.5 |
| Transfer delay time (rising CSN to falling CSN) | t_{CSN_TD} | 5 | | | cycles | Fsys cycles ¹⁾ | P_11.3.6 |
| Data setup time (required time SI to falling SCLK) | t_{SI_SU} | 20 | | | ns | ¹⁾ | P_11.3.7 |
| Data hold time (required time falling SCLK to SI) | t_{SI_H} | 20 | | | ns | ¹⁾ | P_11.3.8 |
| Output enable time (falling CSN to SO valid) | t_{SO_EN} | | | 200 | ns | $C_L = 200\text{ pF}$ ¹⁾ | P_11.3.9 |
| Output disable time (rising CSN to SO tri-state) | t_{SO_DIS} | | | 200 | ns | $C_L = 200\text{ pF}$ ¹⁾ | P_11.3.10 |
| Output data valid time with capacitive load | t_{SO_V} | | | 100 | ns | $C_L = 200\text{ pF}$ ¹⁾ | P_11.3.11 |
| SO rise time | t_{SO_R} | | | 50 | ns | $C_L = 200\text{ pF}$ ¹⁾ | P_11.3.12 |
| SO fall time | t_{SO_F} | | | 50 | ns | $C_L = 200\text{ pF}$ ¹⁾ | P_11.3.13 |
| Input pin capacitance: CSN, SCLK, SI | C_{IN} | | | 20 | pF | ¹⁾ | P_11.3.14 |
| SO pin capacitance | C_{SO_HIZ} | | | 25 | pF | Tri-state ¹⁾ | P_11.3.15 |

1) Not subject to production test, specified by design

2) Maximum SPI clock frequency in the application may be less depending on the load at the SO pin and the microcontroller SPI peripheral timing requirements

12 SPI Registers

12.1 Description of Protocol

For each command received at the SI pin of the SPI interface, a serial data stream is returned at the same time on the SO pin. The content of the SO data frame is dependent on the command which was received on the SI pin during the previous frame. A READ command (R/W = 0) returns the contents of the addressed register one SPI frame later. The data bits in the READ command are ignored. A WRITE command (R/W = 1) will write the databits in the SPI word to the addressed register. The actual contents of that register will be returned to the SPI master (microcontroller) during the next SPI frame. The response is not an echo of the data received from the SI pin, it is the actual contents of the register addressed in the previous SPI frame.

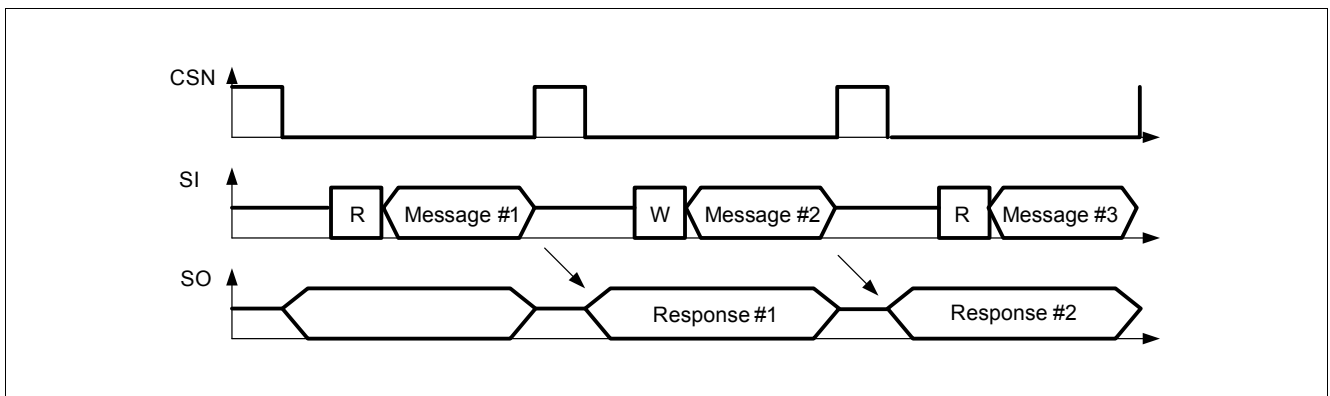


Figure 34 SPI Protocol

Each SPI message for the TLE82453 has a length of 32 bit. The message from the microcontroller must be sent MSB first. The data from the SO pin is sent MSB first.

The response to an invalid SPI message is the IC Version and Manufacturer ID register (ICVID).

The SO data in the frame immediately following a reset condition is the IC Version and Manufacturer ID (ICVID) register.

12.2 ICVID REGISTER

ICVID

IC Version and Manufacturer ID

Reset Value: 00C1 xx00_H

| | | | | | | | | | | | | | | | |
|-----|----|----|----|----|----|----|----|-----------------|----|----|----|----|----|----|----|
| 31 | 30 | 29 | 28 | 27 | 26 | 25 | 24 | 23 | 22 | 21 | 20 | 19 | 18 | 17 | 16 |
| R/W | 0 | 0 | 0 | 0 | 0 | 0 | 0 | Manufacturer ID | | | | | | | |

| | | | | | | | | | | | | | | | |
|---------|----|----|----|----|----|---|---|----------|---|---|---|---|---|-----|---|
| 15 | 14 | 13 | 12 | 11 | 10 | 9 | 8 | 7 | 6 | 5 | 4 | 3 | 2 | 1 | 0 |
| Version | | | | | | | | not used | | | | | | WDS | |

| Field | Bits | Type | Description |
|----------|-------|------|---|
| R/W | 31 | rw | Read / Write bit 0 = Read 1 = Read (cannot write to this register) When reading this register, the R/W bit is 0 |
| Manuf ID | 23:16 | r | IC Manufacturer ID 1100 0001 = Infineon |
| Version | 15:8 | r | IC Version B13 step = 00000100 |
| WDS | 1 | r | CLK Watchdog Status 0 = CLK signal OK or watchdog disabled (Reset value) 1 = Watchdog timeout fault (cleared only by reset) |

12.3 CONFIGURATION REGISTER

CONFIG

Configuration Register

Reset Value: 0100 000x_H

| | | | | | | | | | | | | | | | |
|-----|----|----|----|----|----|----|----|----------|----|----|----|----|----|----|----|
| 31 | 30 | 29 | 28 | 27 | 26 | 25 | 24 | 23 | 22 | 21 | 20 | 19 | 18 | 17 | 16 |
| R/W | 0 | 0 | 0 | 0 | 0 | 0 | 1 | not used | | | | | | | |

| | | | | | | | | | | | | | | | |
|------------|------------|----|-----|-----|----|-----|-----|-----|----|-----|-----|----|---|---|---|
| 15 | 14 | 13 | 12 | 11 | 10 | 9 | 8 | 7 | 6 | 5 | 4 | 3 | 2 | 1 | 0 |
| IDIAG 2 | IDIAG 1 | NU | SR2 | SR1 | NU | FME | FM2 | FM1 | NU | HL2 | HL1 | NU | | | |

| Field | Bits | Type | Description |
|----------|-------|------|---|
| R/W | 31 | rw | Read / Write bit 0 = Read 1 = Write When reading this register, the R/W bit is 0 |
| IDIAG1-2 | 15:14 | rw | Set Off State Diagnostic current 0 = High-Side current source is active (Reset value) 1 = Low-Side current source is active |
| SR1-2 | 12:9 | rw | Set slew rate setting of channel 00 = Set the channel slew rate to SR ₀ (Reset value) 01 = Set the channel slew rate to SR ₁ 10 = Set the channel slew rate to SR ₂ 11 = Ignored (previous setting is used) |
| FME | 6 | rw | Set Fault Mask for EN pin 0 = EN pin state does not influence the FAULTN pin (Reset value) 1 = FAULTN pin is driven low if the EN pin is low. |
| FM1-2 | 5:4 | rw | Set Fault Mask for channel 0 = Channel faults do not influence the FAULTN pin (Reset value) 1 = FAULTN pin is driven low when a fault is detected on the channel |
| HL1-2 | 2:1 | r | HLSL2, HLSL1, and HLSL0 pin status (Reset value = state of HLSL pins) 0 = Highside configuration 1 = Lowside configuration |

12.4 DIAGNOSIS REGISTER

DIAG

Diagnosis Register

Reset Value: 02x0 0000_H

| 31 | 30 | 29 | 28 | 27 | 26 | 25 | 24 | 23 | 22 | 21 | 20 | 19 | 18 | 17 | 16 |
|-----|-----|-----|----|-----|-----|----|---------|---------|-----|--------|--------|-----|----------|------|-----|
| R/W | 0 | 0 | 0 | 0 | 0 | 1 | 0 | CRC | RST | CPUV | CPW | OVB | not used | RE2 | RE1 |
| 15 | 14 | 13 | 12 | 11 | 10 | 9 | 8 | 7 | 6 | 5 | 4 | 3 | 2 | 1 | 0 |
| NU | UV2 | UV1 | NU | OT2 | OT1 | NU | OL OFF2 | OL OFF1 | NU | OLSB 2 | OLSB 1 | NU | OVC2 | OVC1 | NU |

| Field | Bits | Type | Description |
|-------|------|------|---|
| CRC | 23 | r | EEPROM CRC fault bit 0 = no fault detected (Reset value) 1 = fault detected |
| RST | 22 | r | Reset bit 0 = no reset detected 1 = reset detected (cleared after register is read) |

| Field | Bits | Type | Description |
|-----------|-------|------|---|
| CPUV | 21 | r | Charge Pump undervoltage shutdown 0 = no fault detected (Reset value) 1 = fault detected CPUV may be set after power up |
| CPW | 20 | r | Charge Pump undervoltage warning 0 = no fault detected (Reset value) 1 = fault detected CPW may be set after power up |
| OVB | 19 | r | Overvoltage on VBAT pin 0 = no fault detected (Reset value) 1 = fault detected |
| RE1-2 | 17:15 | r | Regulator Error 0 = no fault detected (Reset value) 1 = fault detected REx bit is set if the commanded current is not reached after 8 PWM periods |
| UV1-2 | 12:13 | r | Undervoltage on Load Supply pin 0 = no fault detected (Reset value) 1 = fault detected |
| OT1-2 | 11:10 | r | Over Temperature fault bits 0 = no fault detected (Reset value) 1 = fault detected |
| OL OFF1-2 | 8:7 | r | Open Load Fault when channel is off 0 = no fault detected (Reset value) 1 = fault detected |
| OLSB1-2 | 5:4 | r | Open Load / Switch-Bypass fault bit 0 = no fault detected (Reset value) 1 = fault detected |
| OVC1-2 | 2:1 | r | Overcurrent fault bit 0 = no fault detected (Reset value) 1 = fault detected |

12.5 CLK-DIVIDER REGISTER

CLK-DVD

Clock Divider Register

Reset Value: 0300 0000_H

| | | | | | | | | | | | | | | | |
|----------|----|----|------|----|----|----|----|----------|----|----|----|----------|----|----|----|
| 31 | 30 | 29 | 28 | 27 | 26 | 25 | 24 | 23 | 22 | 21 | 20 | 19 | 18 | 17 | 16 |
| R/W | 0 | 0 | 0 | 0 | 0 | 1 | 1 | not used | | | | | | | |
| 15 | 14 | 13 | 12 | 11 | 10 | 9 | 8 | 7 | 6 | 5 | 4 | 3 | 2 | 1 | 0 |
| not used | | | WDEN | M | | | | N | | | | Fsys div | | | |

| Field | Bits | Type | Description |
|----------|------|------|---|
| R/W | 31 | rw | Read / Write bit 0 = Read 1 = Write When reading the register, the R/W bit is 0 |
| WDEN | 12 | rw | Enable CLK pin watchdog 0 = Disable Watchdog (Reset value) 1 = Enable Watchdog The output stages are disabled until the WDEN bit is set. To operate the device without the watchdog function, the WDEN bit must be set to 1 and then cleared to 0. |
| M | 11:6 | rw | Set mantissa of pre-divider (Reset value = 32 decimal) $F_{dither} = F_{sys} / ((M+1) * 2^N)$ |
| N | 5:2 | rw | Set exponent of pre-divider (Reset value = 6) $F_{dither} = F_{sys} / ((M+1) * 2^N)$ |
| Fsys div | 1:0 | rw | Set FCLK / FSYS divider 00 - divide by 8 (Reset value) 01 - divide by 6 10 - divide by 4 11 - divide by 2 Note: Autozero should be initiated after changing the divider, first write to this register after powerup automatically starts the autozero process |

Note: Following a reset or power up event, the outputs are disabled until this register has been written to.

12.6 CALIBRATION REGISTER

CAL

Calibration Register

Reset Value: 0500 0000_H

| | | | | | | | | | | | | | | | |
|-----|----|----|----|----|----|----|----|----|----|----|----|------|------|----|----------|
| 31 | 30 | 29 | 28 | 27 | 26 | 25 | 24 | 23 | 22 | 21 | 20 | 19 | 18 | 17 | 16 |
| R/W | 0 | 0 | 0 | 0 | 1 | 0 | 1 | CM | | | | | | | not used |
| 15 | 14 | 13 | 12 | 11 | 10 | 9 | 8 | 7 | 6 | 5 | 4 | 3 | 2 | 1 | 0 |
| | | | | | | | | | | | | CAL2 | CAL1 | | NU |

| Field | Bits | Type | Description |
|-------|------|------|--|
| R/W | 31 | w | Read / Write bit 0 = Read 1 = Write When this register is read, the R/W bit is 0 |

12.8 DITHER REGISTER

DITHER

Dither Register

Reset Value: 1800 0000_H

| | | | | | | | | | | | | | | | |
|-----|----|----|----|----|----------|-----------|----|------|----------|----------|----|----|----|----|----|
| 31 | 30 | 29 | 28 | 27 | 26 | 25 | 24 | 23 | 22 | 21 | 20 | 19 | 18 | 17 | 16 |
| R/W | 0 | 0 | 1 | 1 | not used | Channel # | EN | SYNC | CFB MODE | not used | | | | | |

| | | | | | | | | | | | | | | | |
|------------------------|----|----|----|----|----|----------|---|---|---|------------------|---|---|---|---|---|
| 15 | 14 | 13 | 12 | 11 | 10 | 9 | 8 | 7 | 6 | 5 | 4 | 3 | 2 | 1 | 0 |
| Number of dither steps | | | | | | not used | | | | Dither step size | | | | | |

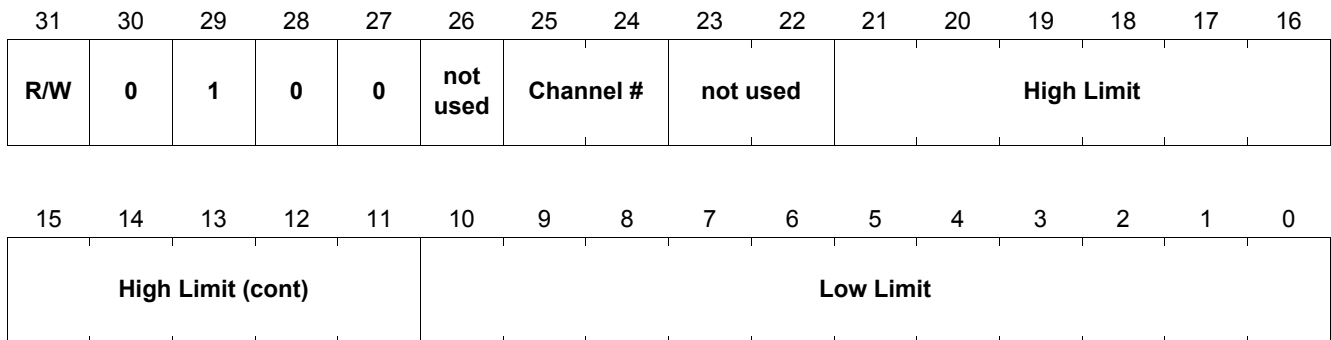
| Field | Bits | Type | Description |
|-----------|-------|------|--|
| R/W | 31 | rw | Read / Write bit 0 = Read 1 = Write When reading this register, the R/W bit is 0 |
| Channel | 25:24 | rw | Select Channel Number 01 = LOAD1 10 = LOAD2 |
| EN | 23 | rw | Enable dither for the addressed channel 1 = enable dither 0 = disable dither (reset value) |
| SYNC | 22 | rw | Enable Synchronization of Dither to PWM frequency 1 = enable synchronization - start of dither synched to start of PWM cycle 0 = disable synchronization - free running dither (Reset value) |
| CFB MODE | 21 | rw | Select Mode for Current Feedback 1 = Min / Max / PWM periods per dither period 0 = Average current and switching period |
| Steps | 15:10 | rw | Set the dither steps of the addressed channel (Reset value = 0) number of steps in a quarter dither cycle. Step duration = 1/Fdith |
| Step Size | 5:0 | rw | Set the dither stepsize of addressed channel (Reset value = 0) lsb = 0.73 mA. Note: the product of the Steps and Step Size values must not exceed 1023, otherwise the dither waveform will be incorrect. |

12.9 INTEGRATOR LIMIT REGISTER

INT LIMIT

Integrator Register

Reset Value: 20BF FFFF_H



| Field | Bits | Type | Description |
|------------|-------|------|---|
| R/W | 1 | rw | Read / Write bit 0 = Read 1 = Write When reading this register, the R/W bit is 0 |
| Channel | 25:24 | rw | Channel Number 01 = LOAD1 10 = LOAD2 |
| High Limit | 21:11 | rw | Set high limit of integrator (Reset value = 07FFH) effective value is 32 * High Limit value |
| Low Limit | 10:0 | rw | Set low limit of integrator (Reset value= 07FFH) effective value is -32 * Low Limit value |

12.10 PWM PERIOD REGISTER

PWM PERIOD

PWM period register

Reset Value: 2800 0000_H

| | | | | | | | | | | | | | | | |
|----------|----|----|----|------------|----------|-----------|----------|----------|----------|----------|----------|----------|----------|----------|----------|
| 31 | 30 | 29 | 28 | 27 | 26 | 25 | 24 | 23 | 22 | 21 | 20 | 19 | 18 | 17 | 16 |
| R/W | 0 | 1 | 0 | 1 | not used | Channel # | not used | not used | not used | not used | not used | not used | not used | not used | not used |
| 15 | 14 | 13 | 12 | 11 | 10 | 9 | 8 | 7 | 6 | 5 | 4 | 3 | 2 | 1 | 0 |
| not used | | | | PWM Period | | | | | | | | | | | |

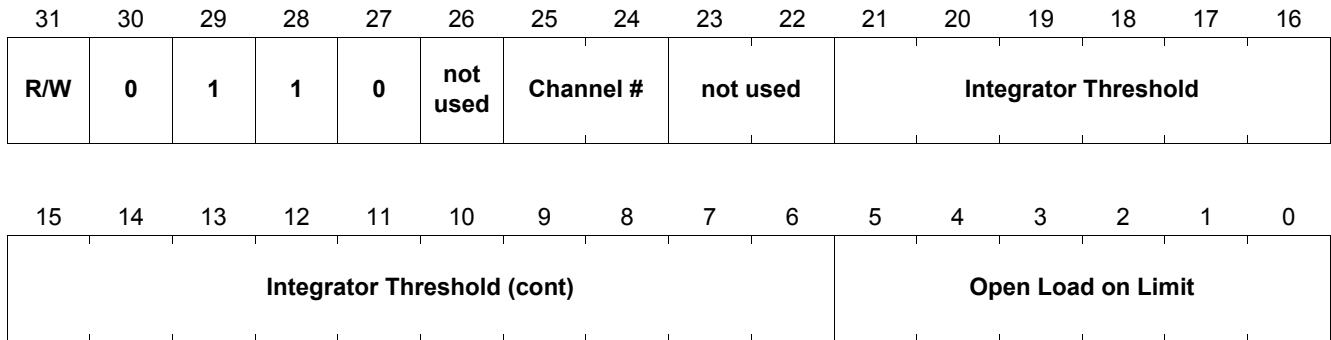
| Field | Bits | Type | Description |
|------------|-------|------|--|
| R/W | 31 | rw | Read / Write bit 0 = Read 1 = Write |
| Channel | 25:24 | rw | Channel Number 01 = LOAD1 10 = LOAD2 |
| KI_index | 22:20 | rw | Set the KI gain for the PWM period controller KI = 2 ^{KI_index} . Maximum value = 6. Writing 7 to this field will result in KI_index=6 KI_index reset value = 010 _B KI reset value = 1/4 |
| PWM Period | 11:0 | rw | Set the PWM period lsb = 16 / F _{SYS} |

12.11 INTEGRATOR THRESHOLD & OPEN ON REGISTER

INT HYST

Integrator hysteresis register

Reset Value: 3000 0000_H



| Field | Bits | Type | Description |
|----------------------|-------|------|--|
| R/W | 31 | rw | Read / Write bit 0 = Read 1 = Write |
| Channel | 25:24 | rw | Channel Number 01 = LOAD1 10 = LOAD2 |
| Integrator Threshold | 21:6 | r | Integrator Threshold - Read Only threshold at which the output stage is turned off. Controlled by PWM period controller. Reset value = 0 |
| Open Load on Limit | 5:0 | rw | Set the open load while on current threshold Isb = 5.9 mA Reset value = 0 Must be written with a non=zero value to enable open load while on fault detection |

12.12 AUTOZERO REGISTER

AUTOZERO

Autozero Register

Reset Value: 3800 0000_H

| | | | | | | | | | | | | | | | |
|-----|----|----|----|----|----------|-----------|----------|----|----|----|----|----|----|----|----|
| 31 | 30 | 29 | 28 | 27 | 26 | 25 | 24 | 23 | 22 | 21 | 20 | 19 | 18 | 17 | 16 |
| R/W | 0 | 1 | 1 | 1 | not used | Channel # | AZ Start | | | | | | | | |

| | | | | | | | | | | | | | | | |
|----------|----|----|----------|----|----|---|---|---|---|---|---|---|---|---|---|
| 15 | 14 | 13 | 12 | 11 | 10 | 9 | 8 | 7 | 6 | 5 | 4 | 3 | 2 | 1 | 0 |
| not used | | | AZ Value | | | | | | | | | | | | |

| Field | Bits | Type | Description |
|----------|-------|------|--|
| R/W | 31 | rw | Read / Write bit 0 = Read 1 = Write |
| Channel | 25:24 | rw | Channel Number 01 = LOAD1 10 = LOAD2 |
| AZ Start | 23 | rw | Initiate Auto Zero 1 = start autozero sequence 0 = no effect (Reset value) The EN bit in the SETPOINT register must be set to 0 in order to perform the autozero function. |
| AZ Value | 12:0 | r | Read the offset of addressed channel (Reset value = 0) After the autozero sequence is completed, the AZ Value field will contain the measured offset. |

12.13 FEEDBACK REGISTER

FEEDBACK

Feedback Register

Reset Value: 4000 0000_H

| | | | | | | | | | | | | | | | |
|------------------------------------|----|----|----|-----------------------|----------|---|-----------------------------|----------|----|----|----|----|----|----|----|
| 31 | 30 | 29 | 28 | 27 | 26 | 25 | 24 | 23 | 22 | 21 | 20 | 19 | 18 | 17 | 16 |
| R/W | 1 | 0 | 0 | 0 | not used | Channel # | CAL MODE - Current Feedback | | | | | | | | |
| | | | | | | | CFB=0 - Current Feedback | | | | | | | | |
| | | | | | | | CFB=1 - Max Current | | | | | | | | |
| 15 | 14 | 13 | 12 | 11 | 10 | 9 | 8 | 7 | 6 | 5 | 4 | 3 | 2 | 1 | 0 |
| CAL MODE - Current Feedback (cont) | | | | | | | | not used | | | | | | | |
| CFB=0 Current FB (cont) | | | | CFB=0 Period Feedback | | | | | | | | | | | |
| CFB=1 - MIN Current | | | | | | CFB = 1 - # switching periods in dither cycle | | | | | | | | | |

| Field | Bits | Type | Description |
|----------------------------|-------|------|---|
| R/W | 31 | r | Read / Write bit 0 = Read 1 = Write |
| Channel | 25:24 | r | Channel Number 01 = LOAD1 10 = LOAD2 |
| CAL MODE Current FB | 23:8 | r | CAL Mode =1 Current Feedback 1 lsb = 0.023 mA $I_{cal} = 1.5 * \text{readout} / 65536$ |
| Current FB | 23:12 | r | CAL Mode =0 & CFB Mode=0 Current Feedback Average Load Current = $0.75 * \text{Current FB} / \text{Period FB}$ Average current measured over the last switching cycle Field value = 0 if channel is not operating |
| Period FB | 11:0 | r | CAL Mode =0 & CFB Mode=0 Switching Period Feedback 1 lsb = $16 / F_{SYS}$ Period of last switching cycle Field value = 0 if channel is not operating |
| MAX Current | 23:16 | r | CAL Mode =0 & CFB Mode=1 MAX Current Feedback 1 lsb = 11.7 mA $I_{max} = 3 * \text{readout} / 256$ Maximum current measured over last dither cycle (dither enabled) Maximum current measured since last read of this register (dither off) Field value = 0 if channel is not operating |

SPI Registers

| Field | Bits | Type | Description |
|--|------|------|---|
| MIN Current | 15:8 | r | CAL Mode =0 & CFB Mode=1 MIN Current Feedback 1 lsb = 11.7 mA $I_{min} = 3 * \text{readout} / 256$ Minimum current measured over last dither cycle (dither enabled) Minimum current measured since last read of this register (dither off) Field value = 0 if channel is not operating |
| Switching cycles per dither cycle | 7:0 | r | CAL Mode =0 & CFB Mode=1 Switching cycles per dither cycle 1 lsb = 1 switching cycle Field value = 0 if channel is not operating or dither is disabled |

13 Application Information

This is the description how the IC is used in its environment...

Note: The following information is given as a hint for the implementation of the device only and shall not be regarded as a description or warranty of a certain functionality, condition or quality of the device.

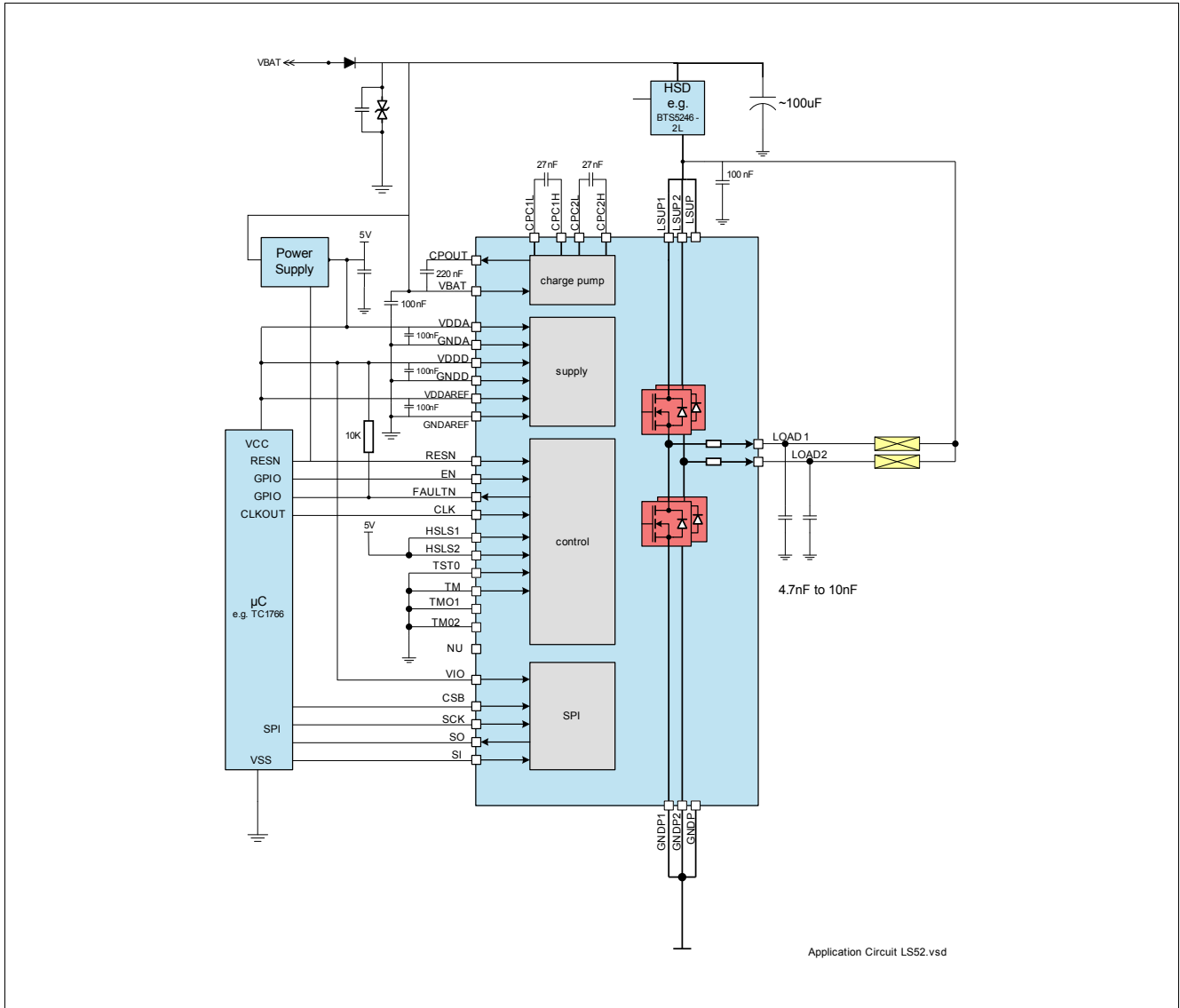


Figure 35 Application Diagram - Low-Side Configuration

Figure 36 - Low-Side Configuration

Figure 37 - Low-Side Configuration

Note: This is a very simplified example of an application circuit. The function must be verified in the real application.

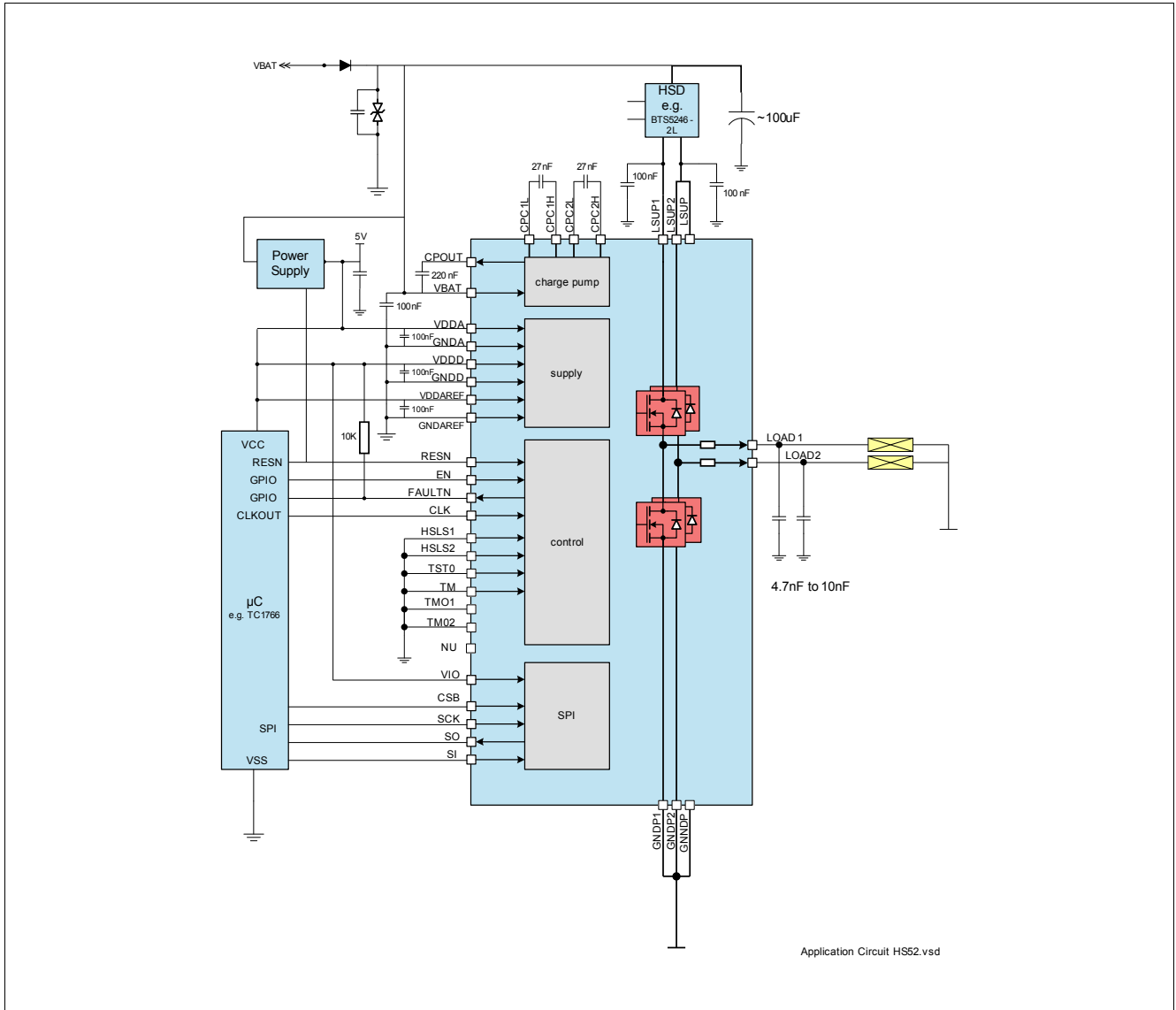


Figure 38 Application Diagram - High side configuration

Note: This is a very simplified example of an application circuit. The function must be verified in the real application.

13.1 Further Application Information

- Please contact us for information regarding the pin FMEA
- For further information you may contact <http://www.infineon.com/>

14 Package Outlines

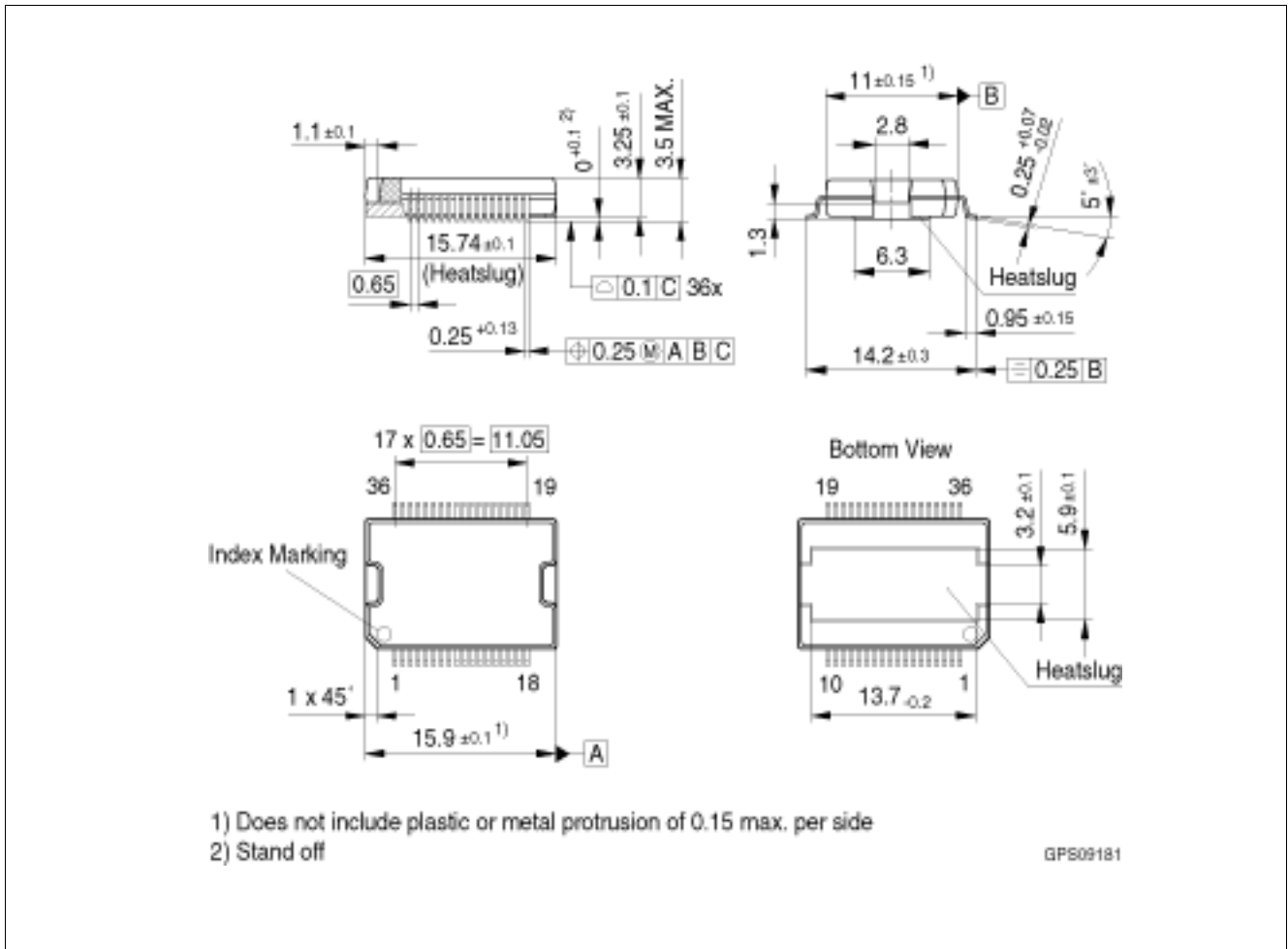


Figure 39 PG-DSO-36

Green Product (RoHS compliant)

To meet the world-wide customer requirements for environmentally friendly products and to be compliant with government regulations the device is available as a green product. Green products are RoHS-Compliant (i.e. Pb-free finish on leads and suitable for Pb-free soldering according to IPC/JEDEC J-STD-020).

For further information on alternative packages, please visit our website:
<http://www.infineon.com/packages>.

Dimensions in mm

Edition 2013-03-21

**Published by
Infineon Technologies AG
81726 Munich, Germany**

**© 2013 Infineon Technologies AG
All Rights Reserved.**

Legal Disclaimer

The information given in this document shall in no event be regarded as a guarantee of conditions or characteristics. With respect to any examples or hints given herein, any typical values stated herein and/or any information regarding the application of the device, Infineon Technologies hereby disclaims any and all warranties and liabilities of any kind, including without limitation, warranties of non-infringement of intellectual property rights of any third party.

Information

For further information on technology, delivery terms and conditions and prices, please contact the nearest Infineon Technologies Office (www.infineon.com).

Warnings

Due to technical requirements, components may contain dangerous substances. For information on the types in question, please contact the nearest Infineon Technologies Office.

Infineon Technologies components may be used in life-support devices or systems only with the express written approval of Infineon Technologies, if a failure of such components can reasonably be expected to cause the failure of that life-support device or system or to affect the safety or effectiveness of that device or system. Life support devices or systems are intended to be implanted in the human body or to support and/or maintain and sustain and/or protect human life. If they fail, it is reasonable to assume that the health of the user or other persons may be endangered.

15 Revision History

| Revision | Date | Changes |
|---|---------------|---|
| 0.7 | 2011-06-07 | Section 12.3 Removed the OCDT bit from the configuration register |
| | | Section 12.10 Added the PWM register to the SPI Register description |
| | | Section 12.7 Removed the on-time field from the setpoint register |
| | | Section 12.7 Moved the AL bit from the Integrator Limit register to the Setpoint register |
| | | Section 12.11 Removed Integrator Hysteresis field from Integrator hysteresis register and added the integrator threshold field |
| | | Section 12.12 Changed location of the AZ start bit and expanded the AZ value field to 13 bits |
| | | Section 5.1 Corrected Figure 3 |
| | | Section 12.11 Added comment in Integrator Threshold & Open On register that the open on threshold must be written with a non zero value to enable the open on feature |
| | | Section 6.11 changed maximum limit of Vddx undervoltage from 4.2 to 4.3V |
| | | Section 9.5 changed maximum overvoltage VBAT limit from 45V to 44V |
| | | Section 6.11 Added Charge pump overvoltage clamp parameter |
| | | Section 9.4: added comment that CPUV may be set before VBAT OV during a VBAT transient depending on the rise time. |
| | | Section 6.11 Changed charge pump warning threshold maximum limit to 8.5V |
| | | Section 12.12 Changed auto-limit values from 20 to 40 |
| | | Section 6.11, changed wake up time from 10ms to 15 ms |
| | | Section 4.2 Revised maximum PWM frequency from 10 KHz to 4 KHz |
| | | Section 8.9 Added PWM period range and resolution parameters |
| Section 8.5 Revised controller description | | |
| 0.8 | July 22, 2011 | Section 1 Features: updated accuracy overview |
| | | Section 1 Description: added comment to maximum average current value |
| | | Section 4, Table 1: added footnote to output current rating |
| | | Section 4.2 Table 2: revised maximum supply voltage |
| | | Section 4.2 Table 2: added CLK pin frequency parameter |
| | | Section 4.2 Table 2: added minimum load pin frequency of 100 Hz |
| | | Section 6.3: added note about connection of LSUP pins for unused channels |
| | | Section 6.10 Figure 4: revised table |
| | | Section 8.2: deleted comment that a single temperature module calibration is needed to meet the accuracy specifications |
| | | Section 8.3: added comment to end of paragraph |
| | | Section 8.5: corrected autolimit values and number of PWM cycles which trigger a Regulator Error |
| | | Section 8.7: corrected formulas |
| Section 8.8: Added calibration mode formula | | |
| Section 8.9 updated PWM period range, dither amplitude range, and dither period range | | |

Revision History

| Revision | Date | Changes |
|----------|---------------|---|
| | | Section 9, corrected FAULTN signal of Figure 11 |
| | | Section 9.5 Table 8, updated over current detection filter time |
| | | Section 10.8. Added description of the RE fault bit |
| | | Section 12.2. Corrected the IC Version # |
| | | Section 12.4. Corrected number of PWM cycles to set RE bit |
| | | Section 12.7. Corrected autolimit values |
| | | Section 12.8. Added note about maximum value of the product of the number of steps and the step size |
| | | Section 12.9. Added notes on effective values of integrator limits |
| | | Section 12.10. Updated the formula and reset value of the KI parameter |
| | | Section 12.13. Corrected current feedback formulas and Isb weighting |
| 0.9 | July 27, 2012 | Section 5.1. Removed comment that the state of the EN pin can be monitored by reading the Diagnosis register |
| | | Section 5.1. Added comment that the EN bits in the SetPoint register are cleared when the EN pin is low |
| | | Section 5.2. Removed maximum value for Vin_I and minimum value for Vin-high |
| | | Section 5.2 Added hysteresis parameter |
| | | Section 5.2. Adjusted limits of Output tri-state leakage current |
| | | Section 6.7. Changed the name of the reset timer to Tpor |
| | | Section 6.10. Corrected footnotes to the Power Supply Modes table |
| | | Section 6.11. Added section regarding initialization |
| | | Section 7.5. Added LSUP current in sleep mode parameter |
| | | Section 8.8 Added comment that the enter calibration mode, setpoint must be set to 0 and the EN bit (in the setpoint register) must be set to 1. And added comment that the Current Mode Feedback register contents are only valid if the PWM period is > 0 |
| | | Section 8.9. Removed long term drift parameter |
| | | Section 9.5. Changed minimum limit of the over current detection filter time from 30 to 20 Fsys cycles |
| | | Section 10.7. Added comment that the CRC bit is cleared after reading the diagnosis register |
| | | Section 10.8. Added comment that the RE bits are cleared after reading the diagnosis register |
| | | Section 10.9. Changed the name of the open load - switch bypass delay time (on state) parameter. |
| | | Section 10.9. Updated the limits of the Off-state pull up and pull down currents |
| | | Section 10.9. Updated the off-state LOADx threshold voltage |
| | | Section 11.2. Added comment that the SPI parameters are using 20%/80% thresholds. |
| | | Section 12.10. reduced field width of the KI parameter from 4 bits to 3 bits |
| | | Section 13. Added comments to the application circuits that the output capacitors should be 4.7nF to 10nF. |
| 1.0 | March 6 2013 | Section 3.2 Added chip damaged if connection lost Pins 1,5,9,25,26,28 and tab |

Revision History

| Revision | Date | Changes |
|----------|------|---|
| | | Section 4.1.2 V _{sup} 45V max added. |
| | | Section 4.1.2 Added V _{sup} must not exceed V _{bat} +0.3V |
| | | Section 5.1 RESN resistor changed to current source |
| | | Section 6.12.1 I _{Vbat} changed from 20ma to 10ma. |
| | | Section 6.11.2 I _{Vbat_slp} changed from 10ua to 8ua |
| | | Section 6.11.3 I _{Vddd} changed from 50ma to 20ma |
| | | Section 6.11.4 I _{Vdda} changed from 5ma to 4ma |
| | | Section 6.11.7-9 150mv hysteresis note added. |
| | | Section 6.11 charge pump capacitor values added. |
| | | Section 7.4.1 I _{sup_lkg} 200us changed to 150ua |
| | | Section 7.4.2 I _{sup_lkgslp} 50ua max added. |
| | | Section 7.4.5 I _{load_lkg} 200ua reduced to 150ua. |
| | | Section 7.4.51 I _{LOAD_lkg} sleep mode added -80ua and +80ua. |
| | | Section 7.4.9 Sense resistor max380mohm added. |
| | | Section 8.2 Auto zero changed from during to after power up. |
| | | Section 8.3 Additional dither operation details added. |
| | | Section 8.4 Additional sense resistor protection details added. |
| | | Section 8.5 Additional current controller details added. |
| | | Section 8.9 Calibration mode current limit added. |
| | | Section 8.9.4,8.9.6 changed from 1.2A to 1.5A |
| | | Section 9.5.1 6A max added. |
| | | Section 10.4 OVC confirmation test added, OVC detection range added. |
| | | Section 10.5 OLSB confirmation test added. |
| | | Section 12.2 B12&B13 versions added. |
| | | |

Trademarks of Infineon Technologies AG

AURIX™, C166™, CanPAK™, CIPOS™, CIPURSE™, EconoPACK™, CoolMOS™, CoolSET™, CORECONTROL™, CROSSAVE™, DAVE™, DI-POL™, EasyPIM™, EconoBRIDGE™, EconoDUAL™, EconoPIM™, EconoPACK™, EiceDRIVER™, eupec™, FCOS™, HITFET™, HybridPACK™, I²RF™, ISOFACE™, IsoPACK™, MIPAQ™, ModSTACK™, my-d™, NovalithIC™, OptiMOS™, ORIGA™, POWERCODE™, PRIMARION™, PrimePACK™, PrimeSTACK™, PRO-SIL™, PROFET™, RASIC™, ReverSave™, SatRIC™, SIEGET™, SINDRION™, SIPMOS™, SmartLEWIS™, SOLID FLASH™, TEMPFET™, thinQ!™, TRENCHSTOP™, TriCore™.

Other Trademarks

Advance Design System™ (ADS) of Agilent Technologies, AMBA™, ARM™, MULTI-ICE™, KEIL™, PRIMECELL™, REALVIEW™, THUMB™, μVision™ of ARM Limited, UK. AUTOSAR™ is licensed by AUTOSAR development partnership. Bluetooth™ of Bluetooth SIG Inc. CAT-iq™ of DECT Forum. COLOSSUS™, FirstGPS™ of Trimble Navigation Ltd. EMV™ of EMVCo, LLC (Visa Holdings Inc.). EPCOS™ of Epcos AG. FLEXGO™ of Microsoft Corporation. FlexRay™ is licensed by FlexRay Consortium. HYPERTERMINAL™ of Hilgraeve Incorporated. IEC™ of Commission Electrotechnique Internationale. IrDA™ of Infrared Data Association Corporation. ISO™ of INTERNATIONAL ORGANIZATION FOR STANDARDIZATION. MATLAB™ of

Revision History

MathWorks, Inc. MAXIM™ of Maxim Integrated Products, Inc. MICROTEC™, NUCLEUS™ of Mentor Graphics Corporation. MIPI™ of MIPI Alliance, Inc. MIPS™ of MIPS Technologies, Inc., USA. muRata™ of MURATA MANUFACTURING CO., MICROWAVE OFFICE™ (MWO) of Applied Wave Research Inc., OmniVision™ of OmniVision Technologies, Inc. Openwave™ Openwave Systems Inc. RED HAT™ Red Hat, Inc. RFMD™ RF Micro Devices, Inc. SIRIUS™ of Sirius Satellite Radio Inc. SOLARIS™ of Sun Microsystems, Inc. SPANSION™ of Spansion LLC Ltd. Symbian™ of Symbian Software Limited. TAIYO YUDEN™ of Taiyo Yuden Co. TEAKLITE™ of CEVA, Inc. TEKTRONIX™ of Tektronix Inc. TOKO™ of TOKO KABUSHIKI KAISHA TA. UNIX™ of X/Open Company Limited. VERILOG™, PALLADIUM™ of Cadence Design Systems, Inc. VLYNQ™ of Texas Instruments Incorporated. VXWORKS™, WIND RIVER™ of WIND RIVER SYSTEMS, INC. ZETEX™ of Diodes Zetex Limited.

Last Trademarks Update 2011-11-11

单击下面可查看定价，库存，交付和生命周期等信息

[>>Infineon\(英飞凌\)](#)