

TDA 5201

ASK Single Conversion Receiver
Version 1.6

Data Sheet

Revision 1.6, 2010-12-21

Wireless Components

Edition 2010-12-21

**Published by
Infineon Technologies AG
81726 Munich, Germany**

**© 2011 Infineon Technologies AG
All Rights Reserved.**

Legal Disclaimer

The information given in this document shall in no event be regarded as a guarantee of conditions or characteristics. With respect to any examples or hints given herein, any typical values stated herein and/or any information regarding the application of the device, Infineon Technologies hereby disclaims any and all warranties and liabilities of any kind, including without limitation, warranties of non-infringement of intellectual property rights of any third party.

Information

For further information on technology, delivery terms and conditions and prices, please contact the nearest Infineon Technologies Office (www.infineon.com).

Warnings

Due to technical requirements, components may contain dangerous substances. For information on the types in question, please contact the nearest Infineon Technologies Office.

Infineon Technologies components may be used in life-support devices or systems only with the express written approval of Infineon Technologies, if a failure of such components can reasonably be expected to cause the failure of that life-support device or system or to affect the safety or effectiveness of that device or system. Life support devices or systems are intended to be implanted in the human body or to support and/or maintain and sustain and/or protect human life. If they fail, it is reasonable to assume that the health of the user or other persons may be endangered.

Revision History

Page or Item	Subjects (major changes since previous revision)
Previous Revision: 1.5	
Revision 1.6, 2010-12-21	
all	Converted into structured FrameMaker (EDD 3.4)
4-3	More detailed explanation of AGC
5-5, 5-7	More detailed information of LNA high gain mode and LNA low gain mode
5-3, 5-4	Enhanced sensitivity values

Trademarks of Infineon Technologies AG

AURIX™, BlueMoon™, C166™, CanPAK™, CIPOS™, CIPURSE™, COMNEON™, EconoPACK™, CoolMOS™, CoolSET™, CORECONTROL™, CROSSAVE™, DAVE™, EasyPIM™, EconoBRIDGE™, EconoDUAL™, EconoPIM™, EiceDRIVER™, eupec™, FCOS™, HITFET™, HybridPACK™, I²RF™, ISOFACE™, IsoPACK™, MIPAQ™, ModSTACK™, my-d™, NovalithIC™, OmniTune™, OptiMOS™, ORIGA™, PRIMARION™, PrimePACK™, PrimeSTACK™, PRO-SIL™, PROFET™, RASIC™, ReverSave™, SatRIC™, SIEGET™, SINDRION™, SIPMOS™, SMARTi™, SmartLEWIS™, SOLID FLASH™, TEMPFET™, thinQ!™, TRENCHSTOP™, TriCore™, X-GOLD™, X-PMU™, XMM™, XPOSYS™.

Other Trademarks

Advance Design System™ (ADS) of Agilent Technologies, AMBA™, ARM™, MULTI-ICE™, KEIL™, PRIMECELL™, REALVIEW™, THUMB™, μVision™ of ARM Limited, UK. AUTOSAR™ is licensed by AUTOSAR development partnership. Bluetooth™ of Bluetooth SIG Inc. CAT-iq™ of DECT Forum. COLOSSUS™, FirstGPS™ of Trimble Navigation Ltd. EMV™ of EMVCo, LLC (Visa Holdings Inc.). EPCOS™ of Epcos AG. FLEXGO™ of Microsoft Corporation. FlexRay™ is licensed by FlexRay Consortium. HYPERTERMINAL™ of Hilgraeve Incorporated. IEC™ of Commission Electrotechnique Internationale. IrDA™ of Infrared Data Association Corporation. ISO™ of INTERNATIONAL ORGANIZATION FOR STANDARDIZATION. MATLAB™ of MathWorks, Inc. MAXIM™ of Maxim Integrated Products, Inc. MICROTEC™, NUCLEUS™ of Mentor Graphics Corporation. Mifare™ of NXP. MIPI™ of MIPI Alliance, Inc. MIPS™ of MIPS Technologies, Inc., USA. muRata™ of MURATA MANUFACTURING CO., MICROWAVE OFFICE™ (MWO) of Applied Wave Research Inc., OmniVision™ of OmniVision Technologies, Inc. Openwave™ Openwave Systems Inc. RED HAT™ Red Hat, Inc. RFMD™ RF Micro Devices, Inc. SIRIUS™ of Sirius Satellite Radio Inc. SOLARIS™ of Sun Microsystems, Inc. SPANSION™ of Spansion LLC Ltd. Symbian™ of Symbian Software Limited. TAIYO YUDEN™ of Taiyo Yuden Co. TEAKLITE™ of CEVA, Inc. TEKTRONIX™ of Tektronix Inc. TOKO™ of TOKO KABUSHIKI KAISHA TA. UNIX™ of X/Open Company Limited. VERILOG™, PALLADIUM™ of Cadence Design Systems, Inc. VLYNQ™ of Texas Instruments Incorporated. VXWORKS™, WIND RIVER™ of WIND RIVER SYSTEMS, INC. ZETEX™ of Diodes Zetex Limited.

Last Trademarks Update 2010-10-26

Table of Contents

	Table of Contents	4
	List of Figures	5
	List of Tables	6
1	Product Info	7
2	Product Description	8
2.1	Overview	8
2.2	Application	8
2.3	Features	8
2.4	Package Outlines	9
3	Functional Description	10
3.1	Pin Configuration	10
3.2	Pin Definition and Function	11
3.3	Functional Block Diagram	18
3.4	Functional Blocks	19
3.4.1	Low Noise Amplifier (LNA)	19
3.4.2	Mixer	19
3.4.3	PLL Synthesizer	19
3.4.4	Crystal Oscillator	19
3.4.5	Limiter	20
3.4.6	Data Filter	20
3.4.7	Data Slicer	20
3.4.8	Peak Detector	20
3.4.9	Bandgap Reference Circuitry	20
4	Applications	21
4.1	Choice of LNA Threshold Voltage and Time Constant	21
4.2	Data Filter Design	23
4.3	Quartz Load Capacitance Calculation	24
4.4	Quartz Frequency Calculation	25
4.5	Data Slicer Threshold Generation	26
5	Electrical Characteristics	27
5.1	Electrical Data	27
5.1.1	Absolute Maximum Ratings	27
5.1.2	Operating Range	27
5.1.3	AC/DC Characteristics	28
5.2	Test Board	32
5.2.1	Test Circuit	32
5.2.2	Test Board Layouts	33
5.2.3	Bill of Materials	35
	Appendix - Noise Figure and Gain Circles	37

List of Figures

Figure 1	PG-TSSOP-28	7
Figure 2	PG-TSSOP-28 Package Outlines	9
Figure 3	IC Pin Configuration	10
Figure 4	Main Block Diagram	18
Figure 5	LNA Automatic Gain Control Circuitry	21
Figure 6	Typical Curve of RSSI Level and Permissive AGC Threshold Levels	22
Figure 7	Data Filter Design	23
Figure 8	Determination of Series Capacitance Value for the Quartz Oscillator	24
Figure 9	Data Slicer Threshold Generation with External R-C Integrator	26
Figure 10	Data Slicer Threshold Generation Utilizing the Peak Detector	26
Figure 11	Schematic of the Evaluation Board	32
Figure 12	Top Side of the Evaluation Board	33
Figure 13	Bottom Side of the Evaluation Board	33
Figure 14	Component Placement on the Evaluation Board	34
Figure 15	Gain and Noise Circles of the TDA5201 at 315 MHz	37

List of Tables

Table 1	Pin Definition and Function	11
Table 2	CSEL Pin Operating States	19
Table 3	PDWN Pin Operating States	20
Table 4	PLL Division Ratio Dependence on States of CSEL	25
Table 5	Absolute Maximum Ratings, Ambient Temperature $T_{AMB} = -40\text{ °C} \dots +85\text{ °C}$	27
Table 6	Operating Range, Ambient Temperature $T_{AMB} = -40\text{ °C} \dots +85\text{ °C}$	27
Table 7	AC/DC Characteristics with $T_{AMB} = 25\text{ °C}$, $V_{CC} = 4.5 \dots 5.5\text{ V}$	28
Table 8	Bill of Materials	35
Table 9	Bill of Materials Addendum	36

1 Product Info

General Description

The IC is a very low power consumption single chip ASK Single Conversion Receiver for receive frequencies between 310 MHz and 350 MHz. The Receiver offers a high level of integration and needs only a few external components. The device contains a low noise amplifier (LNA), a double balanced mixer, a fully integrated VCO, a PLL synthesizer, a crystal oscillator, a limiter with RSSI generator, a data filter, a data comparator (slicer) and a peak detector. Additionally there is a power down feature to save battery life.

Features

- Low supply current ($I_s = 4.6 \text{ mA typ.}$)
- Supply voltage range $5 \text{ V} \pm 10 \%$
- Power down mode with very low supply current (50 nA typ)
- Fully integrated VCO and PLL Synthesizer
- RF input sensitivity $< -110 \text{ dBm}$
- Selectable frequency ranges around 315 MHz and 345 MHz
- Selectable reference frequency
- Limiter with RSSI generation, operating at 10.7 MHz
- 2nd order low pass data filter with external capacitors
- Data slicer with self-adjusting threshold

Application

- Keyless Entry Systems
- Remote Control Systems
- Fire Alarm Systems
- Low Bitrate Communication Systems

Package

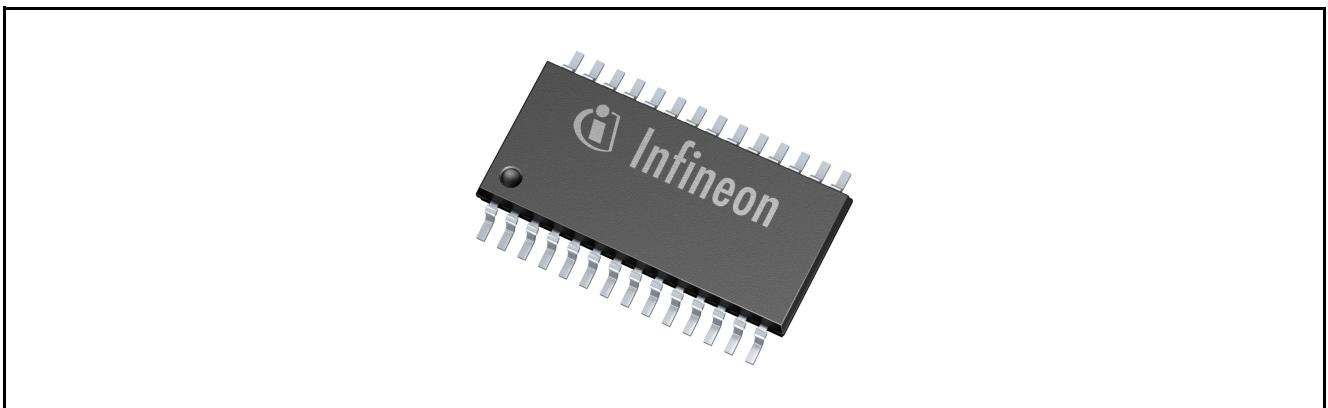


Figure 1 PG-TSSOP-28

Ordering Information

Type	Ordering Code	Package ¹⁾
TDA5201	SP000012902	PG-TSSOP-28

1) Available on tape and reel

2 Product Description

2.1 Overview

The IC is a very low power consumption single chip ASK Superheterodyne Receiver (SHR) for the frequency bands 315 MHz and 345 MHz. The SHR offers a high level of integration and needs only a few external components. The device contains a low noise amplifier (LNA), a double balanced mixer, a fully integrated VCO, a PLL synthesizer, a crystal oscillator, a limiter with RSSI generator, a data filter, a data comparator (slicer) and a peak detector. Additionally there is a power down feature to save battery life.

2.2 Application

- Keyless Entry Systems
- Remote Control Systems
- Fire Alarm Systems
- Low Bitrate Communication Systems

2.3 Features

- Low supply current ($I_s = 4.6$ mA typ.)
- Supply voltage range 5 V ± 10 %
- Power down mode with very low supply current (50 nA typ.)
- Fully integrated VCO and PLL Synthesizer
- RF input sensitivity < -110 dBm
- Selectable receive frequency bands 315 MHz and 345 MHz
- Selectable reference frequency
- Limiter with RSSI generation, operating at 10.7 MHz
- 2nd order low pass data filter with external capacitors
- Data slicer with self-adjusting threshold

2.4 Package Outlines

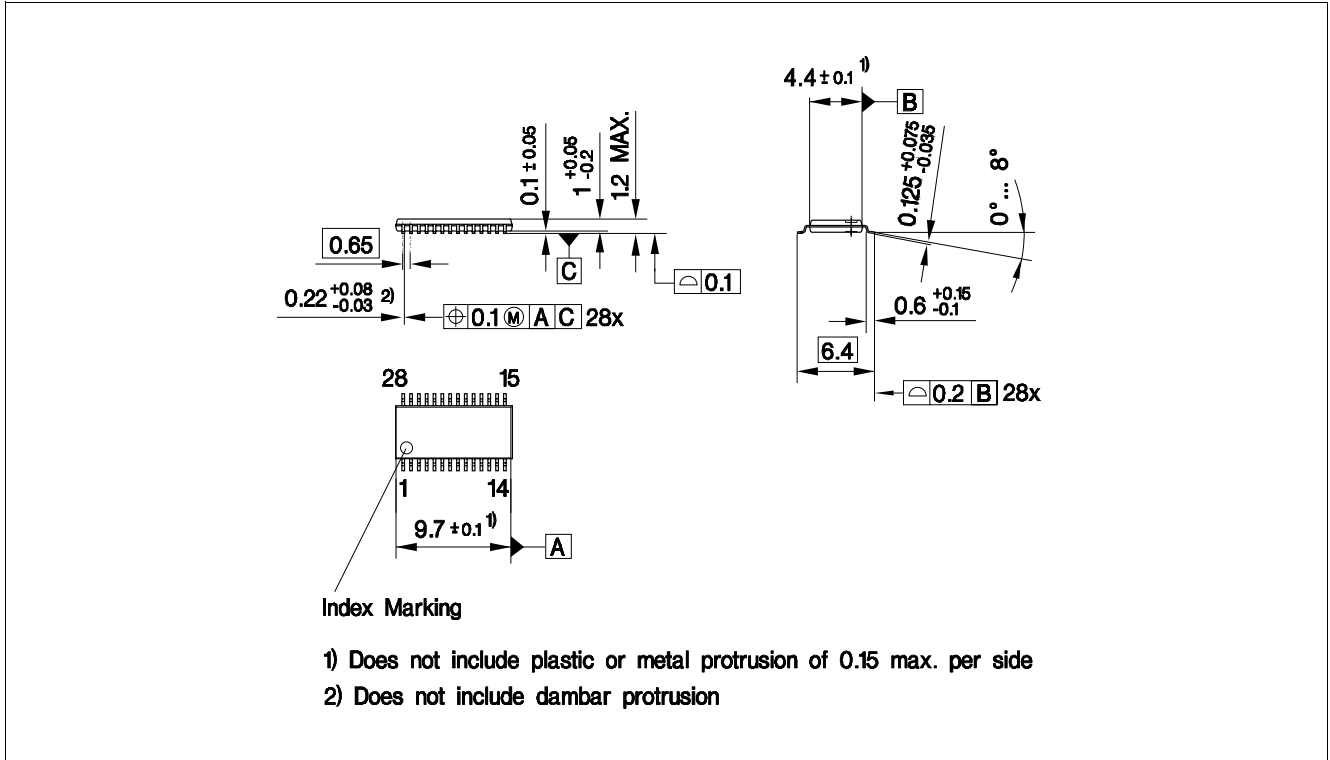


Figure 2 PG-TSSOP-28 Package Outlines

3 Functional Description

3.1 Pin Configuration

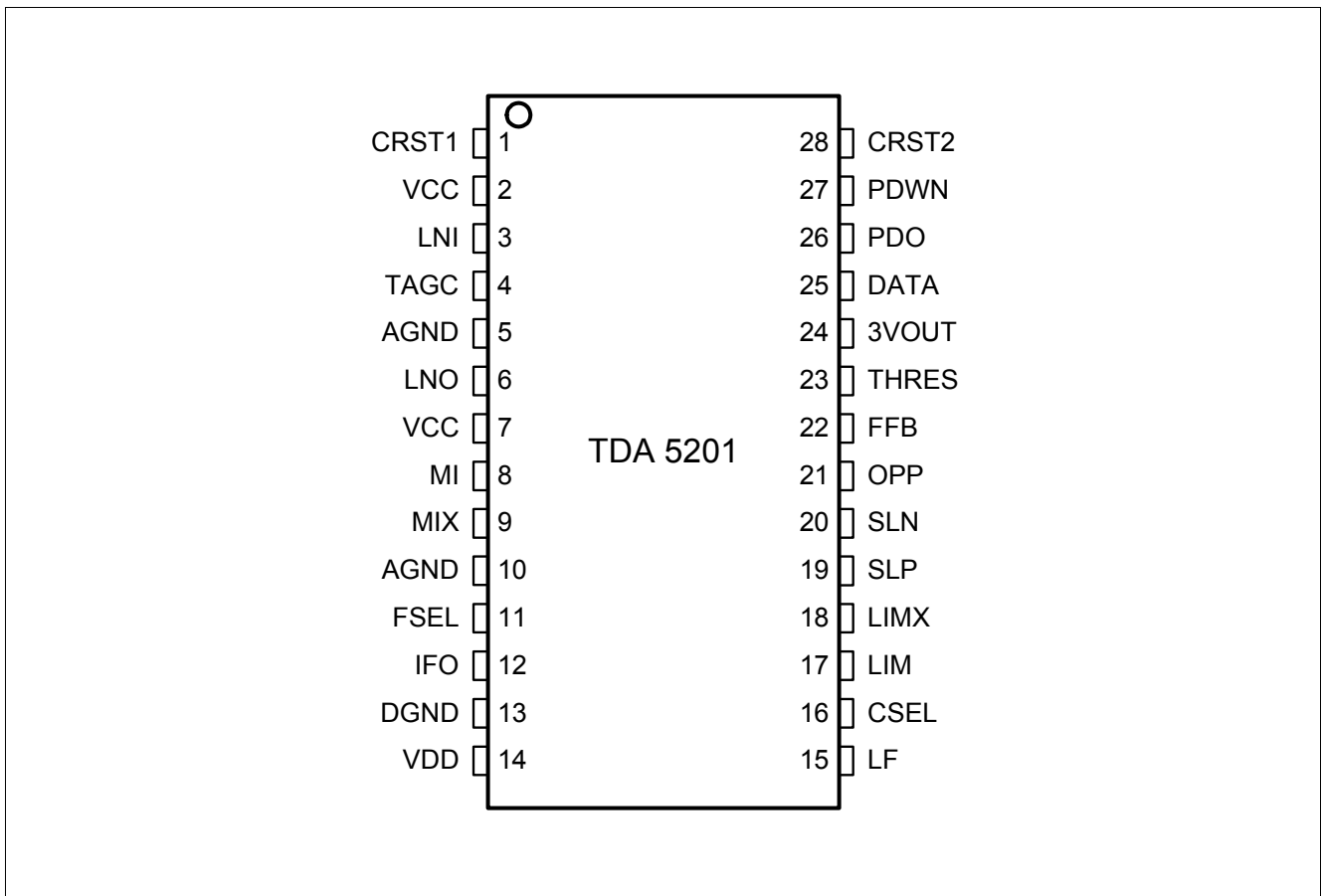


Figure 3 IC Pin Configuration

3.2 Pin Definition and Function

Table 1 Pin Definition and Function

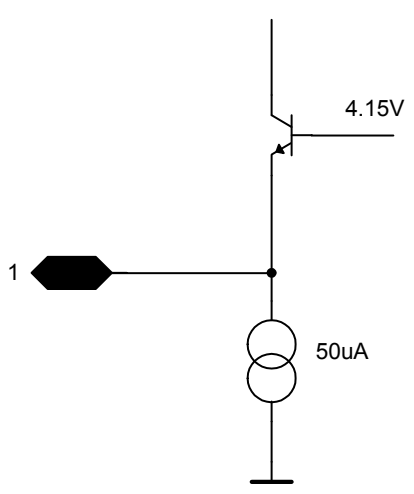
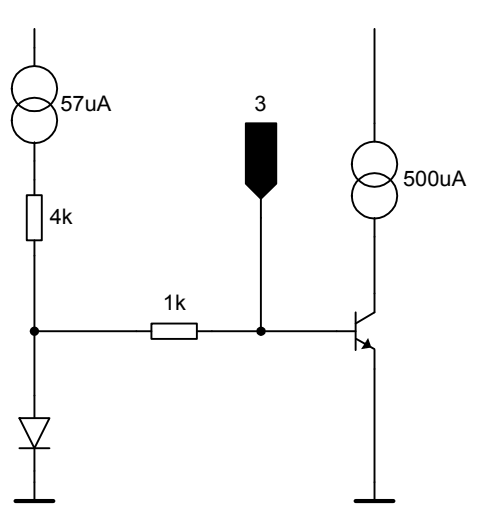
Pin No.	Name	Pin Type	Buffer Type	Function
1	CRST1	In/Out		External Crystal Connector 1
2	VCC	In		5 V Supply
3	LNI	In		LNA Input

Table 1 Pin Definition and Function (cont'd)

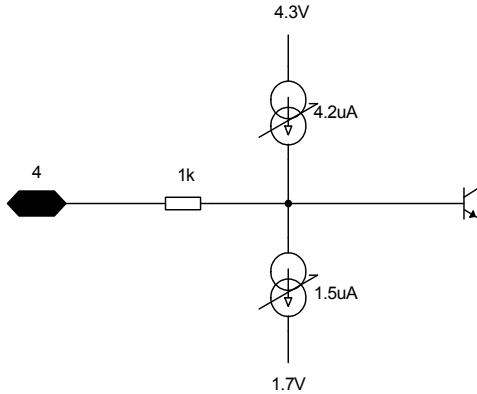
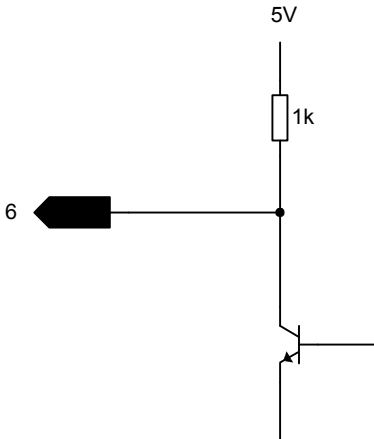
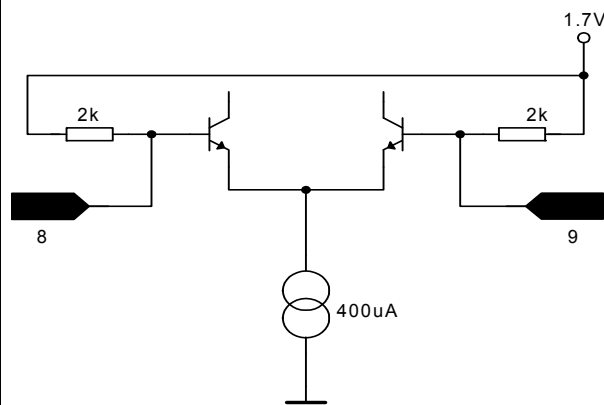
Pin No.	Name	Pin Type	Buffer Type	Function
4	TAGC	In/Out		AGC Time Constant Control
5	AGND	In		Analogue Ground Return
6	LNO	Out		LNA Output
7	VCC	In		5 V Supply
8	MI	In		Mixer Input

Table 1 Pin Definition and Function (cont'd)

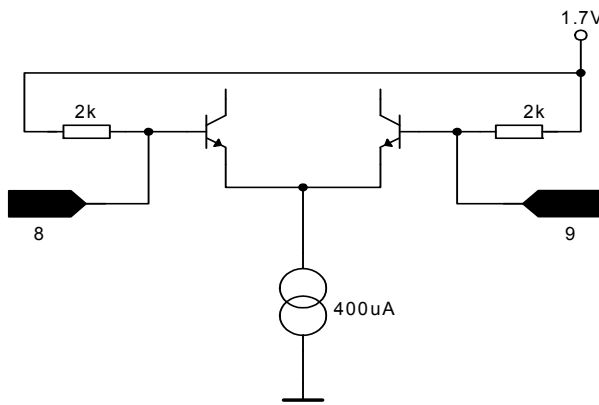
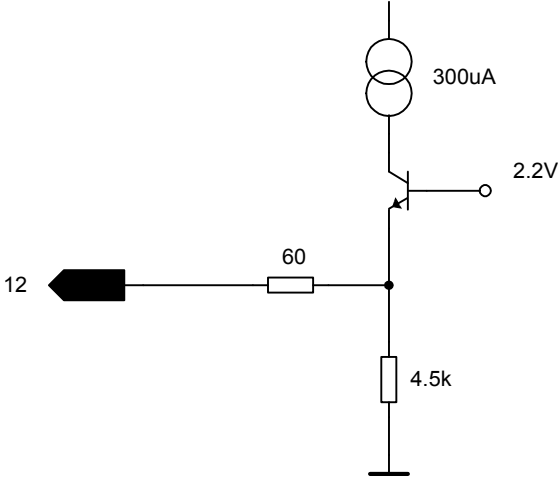
Pin No.	Name	Pin Type	Buffer Type	Function
9	MIX	In		Complementary Mixer Input
10	AGND	In		Analogue Ground Return
11	FSEL			Not applicable - has to be left open
12	IFO	Out		IF Mixer Output 10.7 MHz
13	DGND	In		Digital Ground Return
14	VDD	In		5 V Supply PLL Counter Circuitry

Table 1 Pin Definition and Function (cont'd)

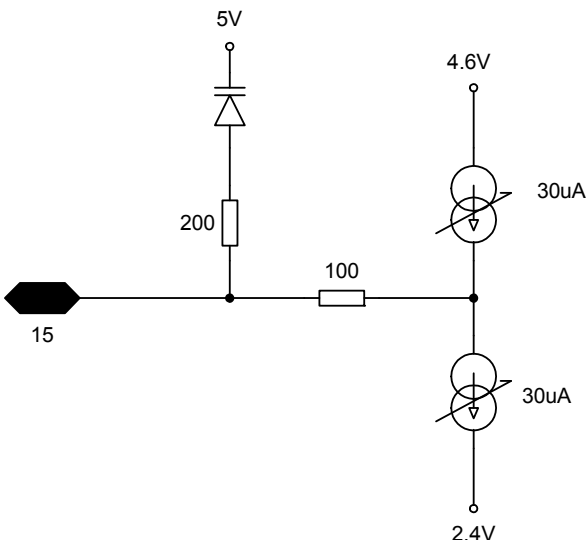
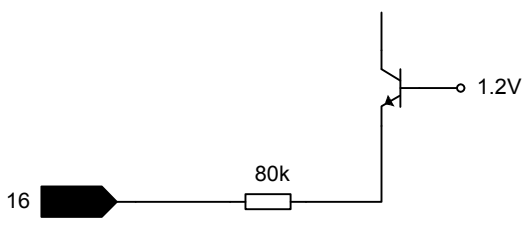
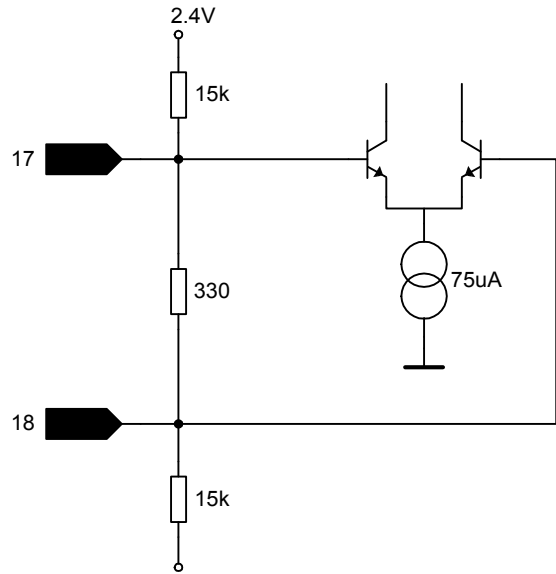
Pin No.	Name	Pin Type	Buffer Type	Function
15	LF	In/Out		PLL Filter Access Point
16	CSEL	In		Quartz Selector 5.xx MHz or 10.xx MHz
17	LIM	In		Limiter Input

Table 1 Pin Definition and Function (cont'd)

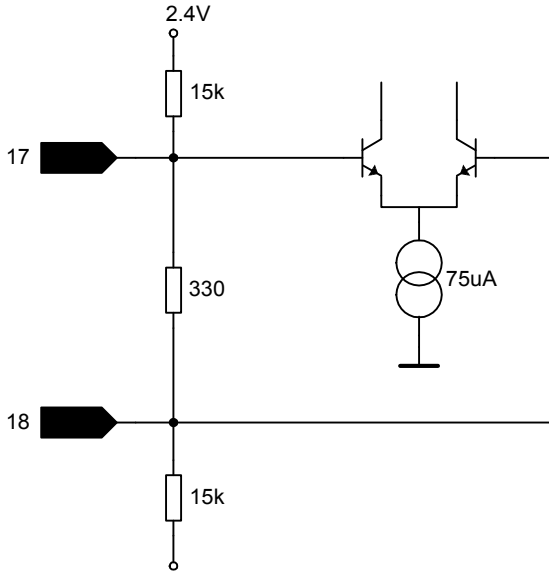
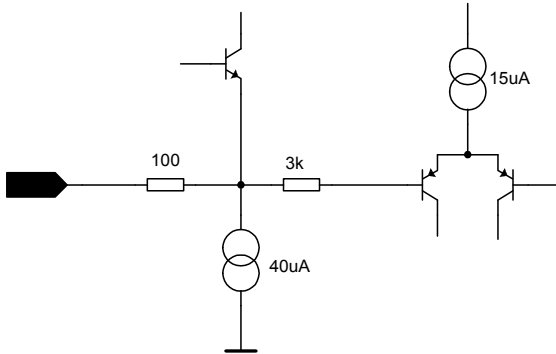
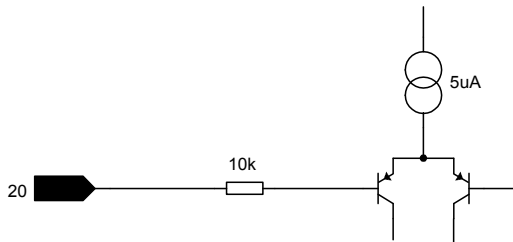
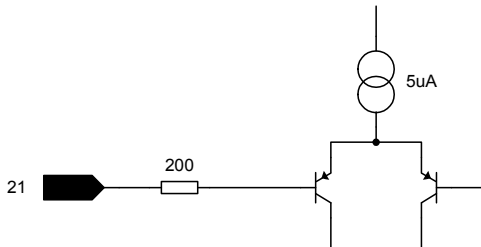
Pin No.	Name	Pin Type	Buffer Type	Function
18	LIMX	In		Complementary Limiter Input
19	SLP	In		Data Slicer Positive Input
20	SLN	In		Data Slicer Negative Input
21	OPP	In		OpAmp Noninverting Input

Table 1 Pin Definition and Function (cont'd)

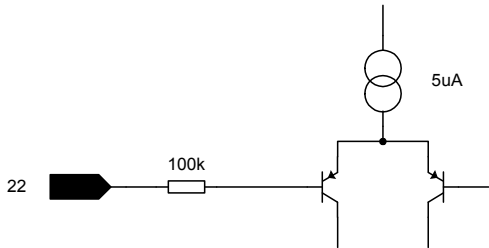
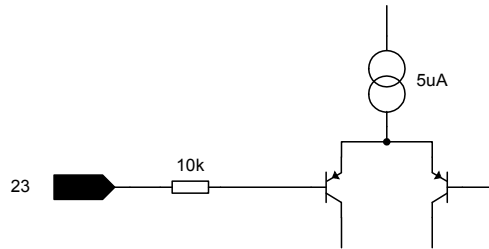
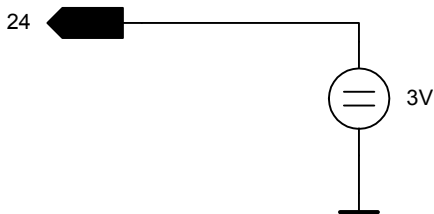
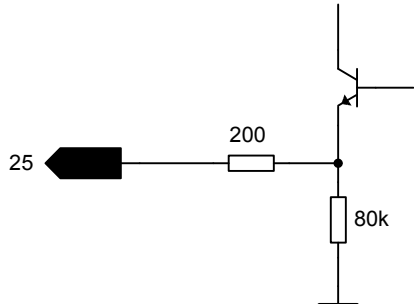
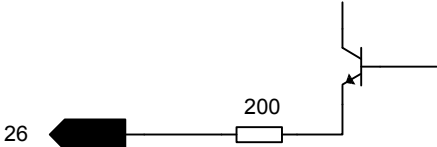
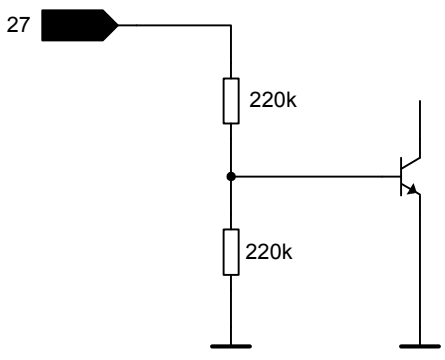
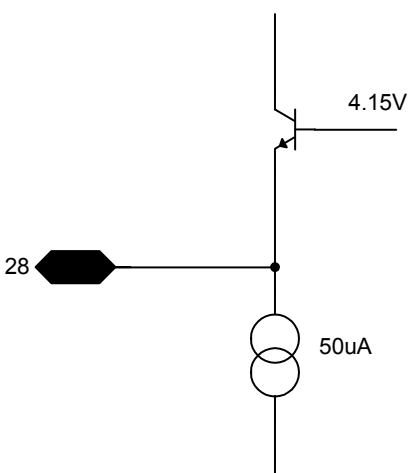
Pin No.	Name	Pin Type	Buffer Type	Function
22	FFB	In		Data Filter Feedback Pin
23	THRES	In		AGC Threshold Input
24	3VOUT	Out		3 V Reference Output
25	DATA	Out		Data Output
26	PDO	Out		Peak Detector Output

Table 1 Pin Definition and Function (cont'd)

Pin No.	Name	Pin Type	Buffer Type	Function
27	PDWN	In		Power Down Input
28	CRST2	In/Out		External Crystal Connector 2

3.3 Functional Block Diagram

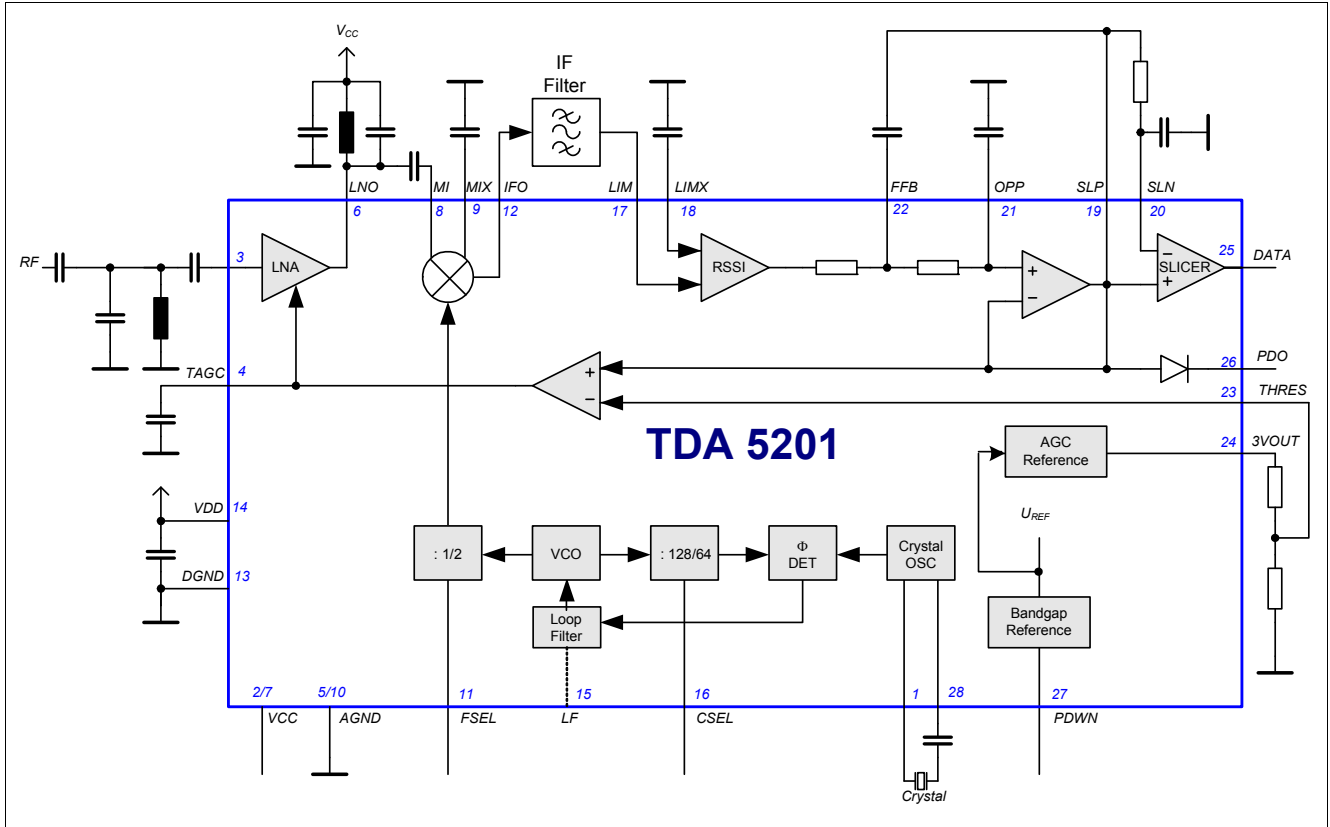


Figure 4 Main Block Diagram

3.4 Functional Blocks

3.4.1 Low Noise Amplifier (LNA)

The LNA is an on-chip cascode amplifier with a voltage gain of 15 dB to 20 dB. The gain figure is determined by the external matching networks situated ahead of LNA and between the LNA output **LNO** (Pin 6) and the Mixer Inputs **MI** and **MIX** (Pin 8 and Pin 9). The noise figure of the LNA is approximately 2 dB, the current consumption is 500 μ A. The gain can be reduced by approximately 18 dB. The switching point of this AGC action can be determined externally by applying a threshold voltage at the **THRES** pin (Pin 23). This voltage is compared internally with the received signal (RSSI) level generated by the limiter circuitry. In case that the RSSI level is higher than the threshold voltage the LNA gain is reduced and vice versa. The threshold voltage can be generated by attaching a voltage divider between the **3VOUT** pin (Pin 24) which provides a temperature stable 3 V output generated from the internal bandgap voltage and the **THRES** pin as described in [Chapter 4.1](#). The time constant of the AGC action can be determined by connecting a capacitor to the **TAGC** pin (Pin 4) and should be chosen along with the appropriate threshold voltage according to the intended operating case and interference scenario to be expected during operation. The optimum choice of AGC time constant and the threshold voltage is described in [Chapter 4.1](#).

3.4.2 Mixer

The Double Balanced Mixer down-converts the input frequency (RF) in the range of 310 MHz to 350 MHz to the intermediate frequency (IF) at 10.7 MHz with a voltage gain of approximately 21 dB by utilizing either high- or low-side injection of the local oscillator signal. In case the mixer is interfaced only single-ended, the unused mixer input has to be tied to ground via a capacitor. The mixer is followed by a low pass filter with a corner frequency of 20 MHz in order to suppress RF signals to appear at the IF output (**IFO** pin). The IF output is internally consisting of an emitter follower that has a source impedance of approximately 330 Ω to facilitate interfacing the pin directly to a standard 10.7 MHz ceramic filter without additional matching circuitry.

3.4.3 PLL Synthesizer

The Phase Locked Loop synthesizer consists of a VCO, an asynchronous divider chain, a phase detector with charge pump and a loop filter and is fully implemented on-chip. The VCO is including spiral inductors and varactor diodes. The **FSEL** pin (Pin 11) has to be left open. The tuning range of the VCO was designed to guarantee over production spread and the specified temperature range a receive frequency range between 310 MHz and 350 MHz depending on whether high- or low-side injection of the local oscillator is used. The oscillator signal is fed both to the synthesizer divider chain and to a divider that is dividing the signal by 2 before it is applied to the down-converting mixer. Local oscillator high side injection has to be used for receive frequencies between approximately 310 MHz and 330 MHz, low side injection for receive frequencies between 330 MHz and 350 MHz - see also [Chapter 4.4](#).

3.4.4 Crystal Oscillator

The on-chip crystal oscillator circuitry allows for utilization of quartzes both in the 5 MHz and 10 MHz range as the overall division ratio of the PLL can be switched between 64 and 128 via the **CSEL** (Pin 16) pin according to the following table.

Table 2 CSEL Pin Operating States

CSEL	Crystal Frequency
Open	5.xx MHz
Shorted to ground	10.xx MHz

The calculation of the value of the necessary quartz load capacitance is shown in [Chapter 4.3](#), the quartz frequency calculation is explained in [Chapter 4.4](#).

3.4.5 Limiter

The Limiter is an AC coupled multistage amplifier with a cumulative gain of approximately 80 dB that has a bandpass-characteristic centered around 10.7 MHz. It has an input impedance of 330 Ω to allow for easy interfacing to a 10.7 MHz ceramic IF filter. The limiter circuit acts as a Receive Signal Strength Indicator (RSSI) generator, which produces a DC voltage that is directly proportional to the input signal level as can be seen in [Figure 6](#). This signal is used to demodulate the ASK receive signal in the subsequent baseband circuitry and to turn down the LNA gain by approximately 18 dB in case the input signal strength is too strong as described in [Chapter 3.4.1](#) and [Chapter 4.1](#).

3.4.6 Data Filter

The data filter comprises an OP-Amp with a bandwidth of 100 kHz used as a voltage follower and two 100 k Ω on-chip resistors. Along with two external capacitors a 2nd order Sallen-Key low pass filter is formed. The selection of the capacitor values is described in [Chapter 4.2](#).

3.4.7 Data Slicer

The data slicer is a fast comparator with a bandwidth of 100 kHz. This allows for a maximum receive data rate of approximately 120 kBaud. The maximum achievable data rate also depends on the IF Filter bandwidth and the local oscillator tolerance values. Both inputs are accessible. The output delivers a digital data signal (CMOS-like levels) for the detector. The self-adjusting threshold on pin 20 is generated by RC-term or peak detector depending on the baseband coding scheme. The data slicer threshold generation alternatives are described in more detail in [Chapter 4.5](#).

3.4.8 Peak Detector

The peak detector generates a DC voltage which is proportional to the peak value of the receive data signal. An external RC network is necessary. The output can be used as an indicator for the signal strength and also as a reference for the data slicer. The maximum output current is 500 μ A.

3.4.9 Bandgap Reference Circuitry

A Bandgap Reference Circuit provides a temperature stable reference voltage for the device. A power down mode is available to switch off all sub-circuits which is controlled by the PWDN pin (Pin 27) as shown in the following table. The supply current drawn in this case is typically 50 nA.

Table 3 PDWN Pin Operating States

PDWN	Operating State
Open or tied to ground	Power Down Mode
Tied to V_{CC}	Receiver On

4 Applications

4.1 Choice of LNA Threshold Voltage and Time Constant

In the following figure the internal circuitry of the LNA automatic gain control is shown.

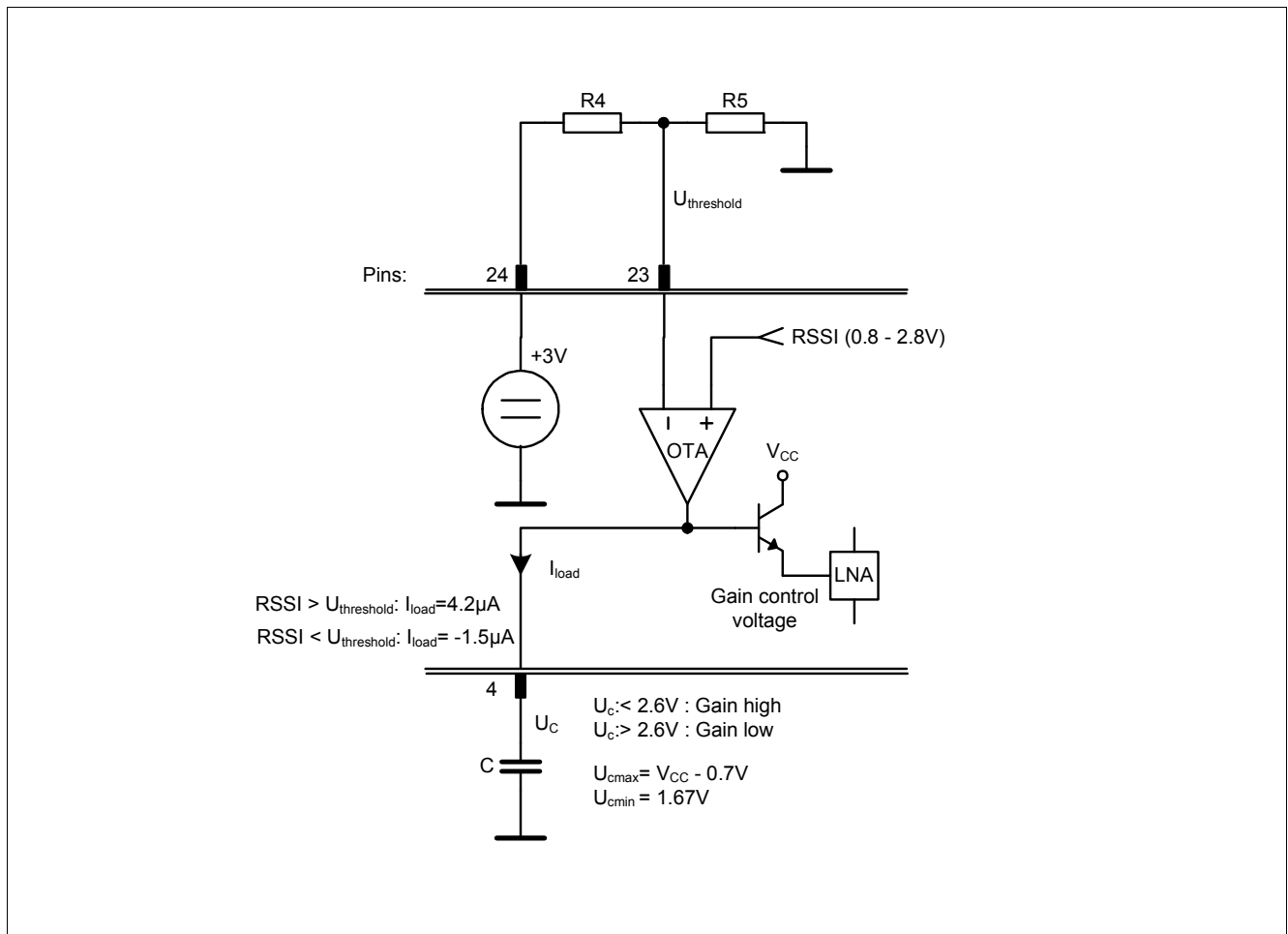


Figure 5 LNA Automatic Gain Control Circuitry

The LNA automatic gain control circuitry consists of an operational transimpedance amplifier that is used to compare the received signal strength signal (RSSI) generated by the Limiter with an externally provided threshold voltage U_{thres} . As shown in the following figure the threshold voltage can have any value between approximately typically 0.8 V and 2.8 V to provide a switching point within the receive signal dynamic range.

This voltage U_{thres} is applied to the **THRES** pin (Pin 23). The threshold voltage can be generated by attaching a voltage divider between the **3VOUT** pin (Pin 24) which provides a temperature stable 3 V output generated from the internal bandgap voltage and the **THRES** pin. If the RSSI level generated by the Limiter is higher than U_{thres} , the OTA generates a positive current I_{load} . This yields a voltage rise on the **TAGC** pin (Pin 4). Otherwise, the OTA generates a negative current. These currents do not have the same values in order to achieve a fast-attack and slow-release action of the AGC and are used to charge an external capacitor which finally generates the LNA gain control voltage.

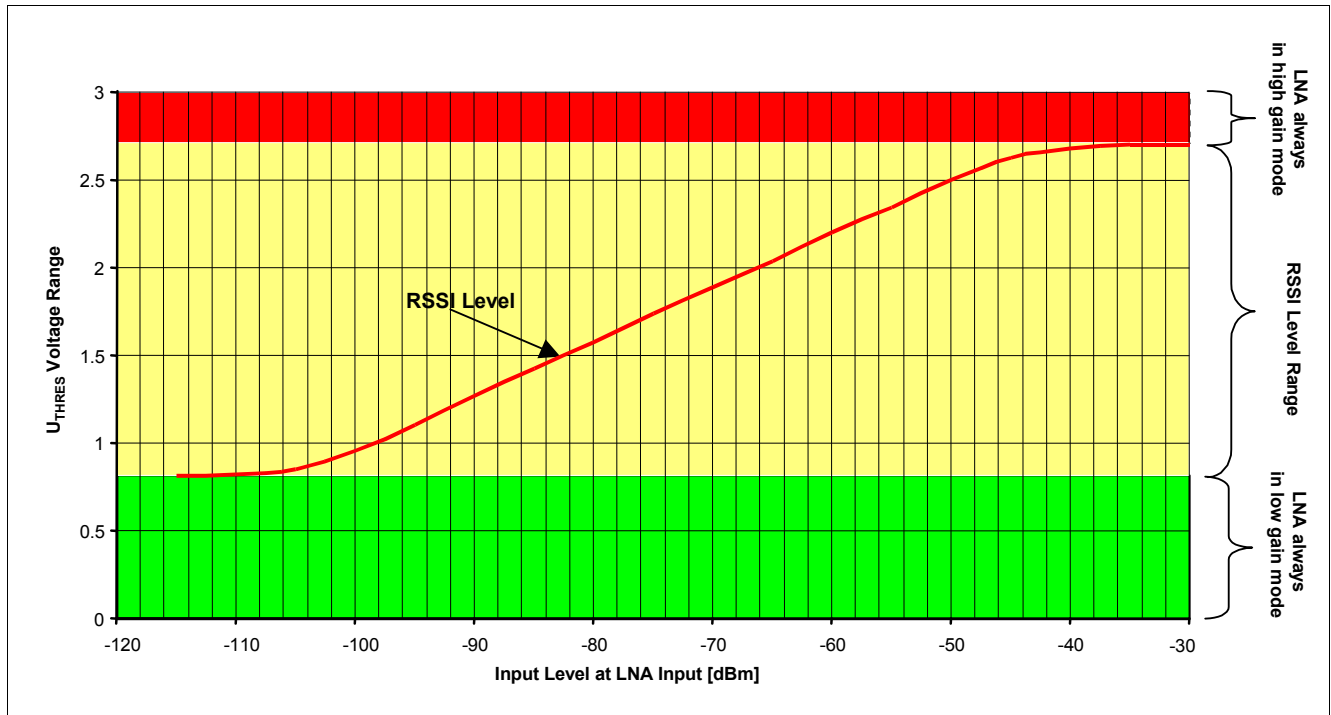


Figure 6 Typical Curve of RSSI Level and Permissible AGC Threshold Levels

The switching point should be chosen according to the intended operating scenario. The determination of the optimum point is described in the accompanying Application Note, a threshold voltage level of 1.8 V is apparently a viable choice. It should be noted that the output of the 3VOUT pin is capable of driving up to 50 μ A, but that the THRES pin input current is only in the region of 40 nA. As the current drawn out of the 3VOUT pin is directly related to the receiver power consumption, the power divider resistors should have high impedance values. R4 can be chosen as 120 k Ω , R5 as 180 k Ω to yield an overall 3VOUT output current of 10 μ A.

Notes

1. To keep the LNA in high gain mode for the complete RF-input level range a voltage equal or higher than 3.3 V has to be applied at pin 23. Alternatively, pin 23 has to be connected to pin 24 and pin 4 has to be connected to GND. In addition this would save an external capacitor.
2. To keep the LNA in low gain mode for the complete RF-input level range a voltage lower than 0.7 V has to be applied to the THRES pin (e.g. THRES connected to GND). In the above-mentioned mode pin 4 has to be connected by a capacitor to GND.
3. As stated above, the gain control voltage of the LNA is generated at the capacitor connected to the TAGC pin by the charging and discharging currents of the OTA. Consequently this capacitor is responsible for the AGC time constant. As the charging and discharging currents are not equal two different time constants will result. The time constant corresponding to the charging process of the capacitor shall be chosen according to the data rate. According to measurements performed at Infineon the capacitor value should be greater than 47 nF.

4.2 Data Filter Design

Utilizing the on-board voltage follower and the two 100 kΩ on-chip resistors a 2nd order Sallen-Key low pass data filter can be constructed by adding 2 external capacitors between pin 19 (SLP) and pin 22 (FFB) and to pin 21 (OPP) as depicted in the following figure and described in the following formulas¹⁾.

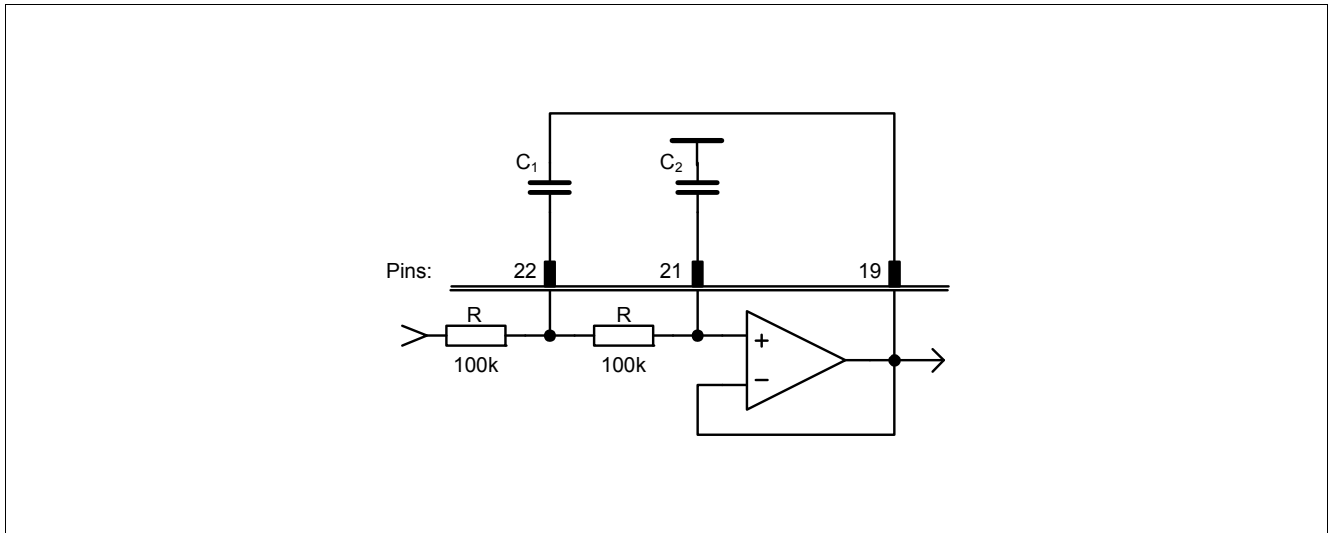


Figure 7 Data Filter Design

$$C_1 = \frac{2Q\sqrt{b}}{R2\pi f_{3dB}} \quad (1)$$

$$C_2 = \frac{\sqrt{b}}{4QR\pi f_{3dB}} \quad (2)$$

with

$$Q = \frac{\sqrt{b}}{a} \quad (3)$$

the quality factor of the poles where

in case of a **Bessel** filter

$$a = 1.3617, b = 0.618$$

and thus

$$Q = 0.577$$

and in case of a **Butterworth** filter

$$a = 1.141, b = 1$$

and thus

$$Q = 0.71$$

Example

Butterworth filter with

$$f_{3dB} = 5 \text{ kHz and } R = 100 \text{ k}\Omega$$

$$C_1 = 450 \text{ pF, } C_2 = 225 \text{ pF}$$

1) Taken from Tietze/Schenk: Halbleiterschaltungstechnik, Springer Berlin, 1999

4.3 Quartz Load Capacitance Calculation

The value of the capacitor necessary to achieve that the quartz oscillator is operating at the intended frequency is determined by the reactive part of the negative resistance of the oscillator circuit as shown in [Chapter 1.1.3](#) and by the quartz specifications given by the quartz manufacturer.

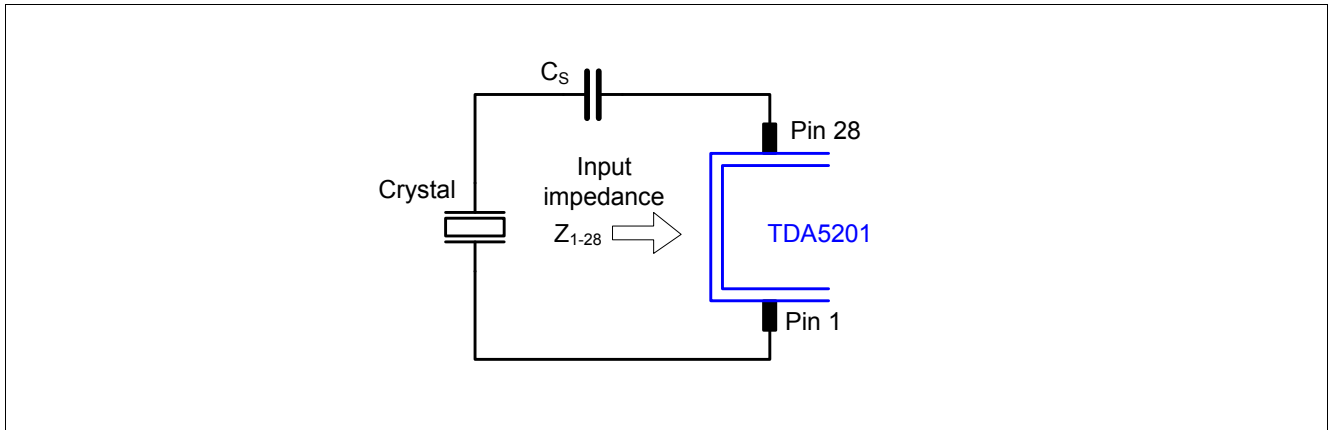


Figure 8 Determination of Series Capacitance Value for the Quartz Oscillator

Crystal specified with load capacitance

$$C_S = \frac{1}{\frac{1}{C_L} + 2\pi f X_L} \quad (4)$$

with C_L the load capacitance (refer to the quartz crystal specification).

Examples

5.1 MHz	$C_L = 12 \text{ pF}$	$X_L = 580 \ \Omega$	$C_S = 9.8 \text{ pF}$
10.18 MHz	$C_L = 12 \text{ pF}$	$X_L = 870 \ \Omega$	$C_S = 7.2 \text{ pF}$

These values may be obtained by putting two capacitors in series to the quartz, such as 18 pF and 22 pF in the 5.1 MHz case and 18 pF and 12 pF in the 10.2 MHz case.

But please note that the calculated value of C_S includes the parasitic capacitors also.

4.4 Quartz Frequency Calculation

As described in [Chapter 3.4.3](#), the operating range of the on-chip VCO is wide enough to guarantee a receive frequency range between 310 MHz and 350 MHz. The VCO signal is divided by 2 before applied to the mixer. This local oscillator signal can be used to down-convert the RF signals both with high- or low-side injection at the mixer. High-side injection of the local oscillator has to be used for receive frequencies between 310 MHz and 330 MHz. In this case the local oscillator frequency is calculated by adding the IF frequency (10.7 MHz) to the RF frequency.

Low-side injection has to be used for receive frequencies between 330 MHz and 350 MHz. The local oscillator frequency is calculated by subtracting the IF frequency (10.7 MHz) from the RF frequency then. The overall division ratios in the PLL are 64 or 32 depending on whether the CSEL-pin is left open or tied to ground.

Therefore, the quartz frequency may be calculated by using the following formula:

$$f_{QU} = \frac{f_{RF} - 10.7}{r} \quad (5)$$

with

f_{RF}	Receive frequency
f_{LO}	Local oscillator (PLL) frequency ($f_{RF} \pm 10.7$)
f_{QU}	Quartz oscillator frequency
r	Ratio of local oscillator (PLL) frequency and quartz frequency as shown in the subsequent table

Table 4 PLL Division Ratio Dependence on States of CSEL

CSEL	Ratio $r = (f_{LO}/f_{QU})$
Open	64
GND	32

Example

Addition of 10.7 is used in case of operation the device at 315 MHz, subtraction in case of operation at 345 MHz for instance. This yields the following frequencies:

CSEL tied to GND:

$$f_{QU} = (315 \text{ MHz} + 10.7 \text{ MHz}) / 32 = 10.1781 \text{ MHz} \quad (6)$$

$$f_{QU} = (345 \text{ MHz} - 10.7 \text{ MHz}) / 32 = 10.4469 \text{ MHz} \quad (7)$$

CSEL open:

$$f_{QU} = (315 \text{ MHz} + 10.7 \text{ MHz}) / 64 = 5.0891 \text{ MHz} \quad (8)$$

$$f_{QU} = (345 \text{ MHz} - 10.7 \text{ MHz}) / 64 = 5.2234 \text{ MHz} \quad (9)$$

4.5 Data Slicer Threshold Generation

The threshold of the data slicer especially for a coding scheme without DC-content, can be generated in two ways, depending on the signal coding scheme used. In case of a signal coding scheme without DC content such as Manchester coding the threshold can be generated using an external RC-Integrator as shown in **Figure 9**. The time constant T_A of the RC-Integrator has to be significantly larger than the longest period of no signal change T_L within the data sequence. In order to keep distortion low, the minimum value for R is 20 k Ω .

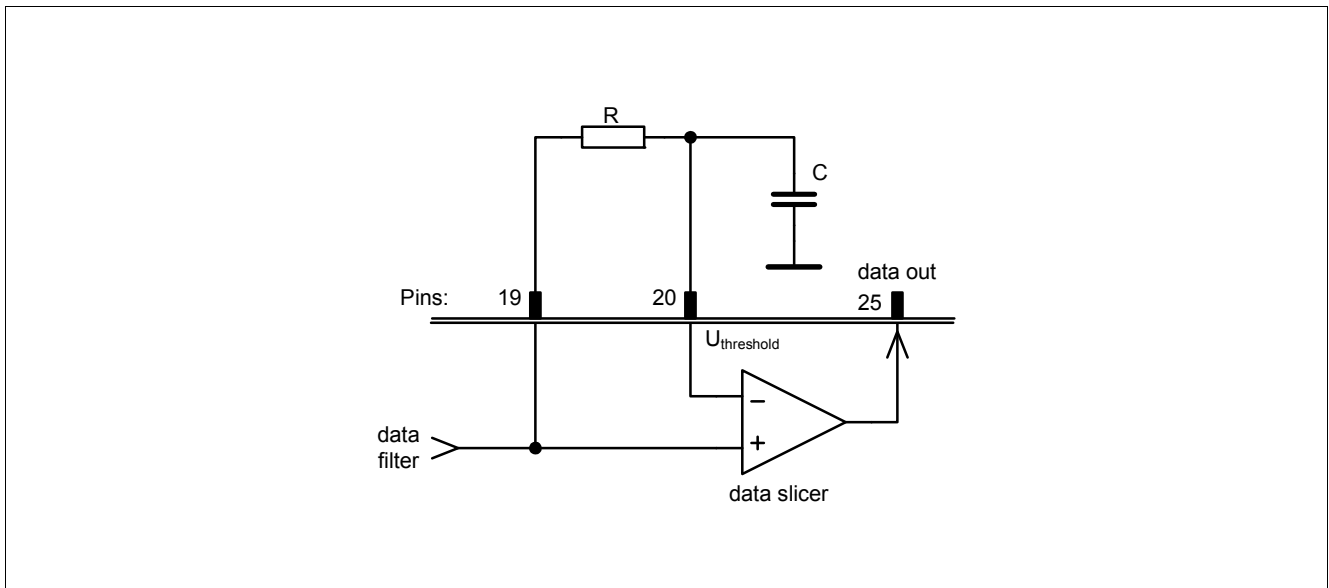


Figure 9 Data Slicer Threshold Generation with External R-C Integrator

Another possibility for threshold generation is to use the peak detector in connection with two resistors and one capacitor as shown in the following figure. The component values are depending on the coding scheme and the protocol used.

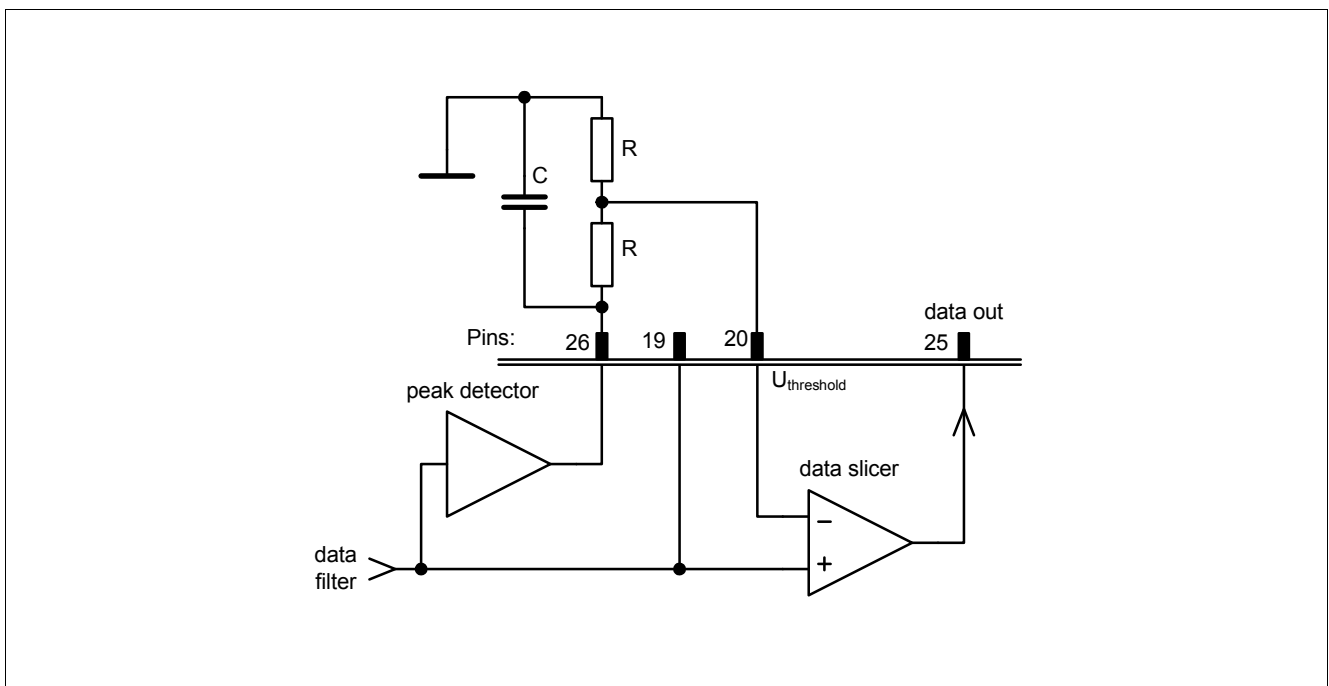


Figure 10 Data Slicer Threshold Generation Utilizing the Peak Detector

5 Electrical Characteristics

5.1 Electrical Data

5.1.1 Absolute Maximum Ratings

Attention: The maximum ratings may not be exceeded under any circumstances, not even momentarily and individually, as permanent damage to the IC will result.

Table 5 Absolute Maximum Ratings, Ambient Temperature $T_{AMB} = -40\text{ °C} \dots +85\text{ °C}$

Parameter	Symbol	Values			Unit	Note / Test Condition	Number
		Min.	Typ.	Max.			
Supply Voltage	V_s	-0.3		5.5	V		1.1
Junction Temperature	T_j	-40		+125	°C		1.2
Storage Temperature	T_s	-40		+150	°C		1.3
Thermal Resistance	R_{thJA}			114	K/W		1.4
ESD HBM integrity, all pins	V_{ESD}			±1,5	kV	AEC Q100-002 / JESD22-A114B	1.5
ESD SDM integrity, all pins	V_{ESD}			±750	V	ANSI / ESD SP5.3.2-2008	1.6

5.1.2 Operating Range

Within the operating range the IC operates as explained in the circuit description. The AC/DC characteristic limits are not guaranteed.

Supply voltage: $V_{CC} = 4.5\text{ V} \dots 5.5\text{ V}$

Table 6 Operating Range, Ambient Temperature $T_{AMB} = -40\text{ °C} \dots +85\text{ °C}$

Parameter	Symbol	Values			Unit	Note / Test Condition	Test	Number
		Min.	Typ.	Max.				
Supply Current	I_s			5.2	mA	$f_{RF} = 315\text{ MHz}$		2.1
Receiver Input Level	RF_{in}	-111		-13	dBm	@ source impedance 50 Ω , BER 2E-3, average power level, Manchester encoded data rate 4 kBit, 280 kHz IF Bandwidth	■	2.2
LNI Input Frequency	f_{RF}	310		350	MHz			2.3
MI/X Input Frequency	f_{MI}	310		350	MHz			2.4
3 dB IF Frequency Range	$f_{IF -3\text{ dB}}$	5		23	MHz			2.5

Table 6 Operating Range, Ambient Temperature $T_{AMB} = -40\text{ °C} \dots +85\text{ °C}$ (cont'd)

Parameter	Symbol	Values			Unit	Note / Test Condition	Test	Number
		Min.	Typ.	Max.				
Power Mode Off	V_{OFF}	0		0.8	V			2.6
Power Mode Off	V_{ON}	2		V_{CC}	V			2.7
Gain Control Voltage, LNA high gain state	V_{THRES}	2.8		$V_{CC}-1$	V			2.8
Gain Control Voltage, LNA low gain state	V_{THRES}	0		0.7	V			2.9

Attention: Test ■ means that the parameter is not subject to production test. It was verified by design/characterization.

5.1.3 AC/DC Characteristics

AC/DC characteristics involve the spread of values guaranteed within the specified voltage and ambient temperature range. Typical characteristics are the median of the production.

Table 7 AC/DC Characteristics with $T_{AMB} = 25\text{ °C}$, $V_{CC} = 4.5 \dots 5.5\text{ V}$

Parameter	Symbol	Values			Unit	Note / Test Condition	Test	Number
		Min.	Typ.	Max.				
Supply Current								
Supply current standby mode	$I_{S\ PDWN}$		50	70	nA	Pin 27 (PDWN) open or tied to 0 V		3.1
Supply current	I_S		4.6	5	mA			3.2
LNA - Signal Input LNI (PIN 3), $V_{THRES} > 3.3\text{ V}$, High Gain Mode								
Average Power Level at BER = 2E-3 (Sensitivity)	RF_{in}		-113		dBm	Manchester encoded data rate 4 kBit, 280 kHz IF Bandwidth	■	3.3
Input impedance $f_{RF} = 315\text{ MHz}$	$S_{11\ LNA}$		0.895 / -25.5 deg				■	3.4
Input level @ 1 dB C.P. $f_{RF} = 315\text{ MHz}$	$P1dB_{LNA}$		-14		dBm		■	3.5
Input 3rd order intercept point $f_{RF} = 315\text{ MHz}$	$IIP3_{LNA}$		-10		dBm	$f_{in} = 315\text{ MHz} \& 317\text{ MHz}$	■	3.6
LO signal feedthrough at antenna port	LO_{LNI}		-119		dBm		■	3.7
LNA - Signal Output LNO (PIN 6), $V_{THRES} > 3.3\text{ V}$, High Gain Mode								
Gain $f_{RF} = 315\text{ MHz}$	$S_{21\ LNA}$		1.577 / 150.3 deg				■	3.8
Output impedance, $f_{RF} = 315\text{ MHz}$	$S_{22\ LNA}$		0.897 / -10.3 deg				■	3.9
Voltage Gain Antenna to MI $f_{RF} = 315\text{ MHz}$	G_{AntMI}		21		dB		■	3.10

Table 7 AC/DC Characteristics with $T_{AMB} = 25\text{ °C}$, $V_{CC} = 4.5 \dots 5.5\text{ V}$ (cont'd)

Parameter	Symbol	Values			Unit	Note / Test Condition	Test	Number
		Min.	Typ.	Max.				
Noise Figure	NF_{LNA}		2		dB	Excluding matching network loss see Appendix	■	3.11
LNA - Signal Input LNI, $V_{THRES} = GND$, Low Gain Mode								
Input impedance $f_{RF} = 315\text{ MHz}$	$S_{11\text{ LNA}}$		0.918 / -25.2 deg				■	3.12
Input level @ 1 dB C. P. $f_{RF} = 315\text{ MHz}$	$P1dB_{LNA}$		-7		dBm	Matched input	■	3.13
Input 3 rd order intercept point $f_{RF} = 315\text{ MHz}$	$IIP3_{LNA}$		-13		dBm	$f_{in} = 315\text{ MHz}$ and 317 MHz	■	3.14
LNA - Signal Output LNO, $V_{THRES} = GND$, Low Gain Mode								
Gain $f_{RF} = 315\text{ MHz}$	$S_{21\text{ LNA}}$		0.007 / 153.7 deg				■	3.15
Output impedance $f_{RF} = 315\text{ MHz}$	$S_{22\text{ LNA}}$		0.907 / -10.5 deg				■	3.16
Voltage Gain Antenna to MI $f_{RF} = 315\text{ MHz}$	G_{AntMI}		2		dB			3.17
AGC - Signal 3VOUT (PIN 24)								
Output voltage	V_{3VOUT}		3		V			3.18
Current out	I_{3VOUT}			50	μA			3.19
AGC - Signal THRES (PIN 23)								
Input Voltage range	V_{THRES}	0		$V_{CC}-1$	V	See chapter 4.1		3.20
LNA low gain mode	V_{THRES}	0			V			3.21
LNA high gain mode	V_{THRES}	3.3 ¹⁾		$V_{CC}-1$ ¹⁾	V	Voltage must not be higher than $V_{CC}-1\text{ V}$		3.22
Current in	I_{THRES_in}		5		nA		■	3.23
AGC - Signal TAGC (PIN 4)								
Current out, LNA low gain state	I_{TAGC_out}		4.2		μA	$RSSI > V_{THRES}$		3.24
Current in, LNA high gain state	I_{TAGC_in}		1.5		μA	$RSSI < V_{THRES}$		3.25
MIXER - Signal Input MI/MIX (PINS 8/9)								
Input impedance $f_{RF} = 315\text{ MHz}$	$S_{11\text{ MIX}}$		0.954 / -10.9 deg				■	3.26
Input 3 rd order intercept point	$IIP3_{MIX}$		-25		dBm		■	3.27
MIXER - Signal Output IFO (PIN 12)								
Output impedance	Z_{IFO}		330		Ω			3.28

Table 7 AC/DC Characteristics with $T_{AMB} = 25\text{ °C}$, $V_{CC} = 4.5 \dots 5.5\text{ V}$ (cont'd)

Parameter	Symbol	Values			Unit	Note / Test Condition	Test	Number
		Min.	Typ.	Max.				
Conversion Voltage Gain $f_{RF} = 315\text{ MHz}$	G_{MIX}		+21		dB			3.29
Noise Figure, SSB (~DSB NF + 3 dB)	NF_{MIX}		13		dB		■	3.30
RF to IF isolation	A_{RF-IF}		46		dB		■	3.31
LIMITER - Signal Input LIM/LIMX (PINS 17/18)								
Input Impedance	Z_{LIM}	264	330	396	Ω		■	3.32
RSSI dynamic range	DR_{RSSI}	60		80	dB			3.33
RSSI linearity	LIN_{RSSI}		± 1		dB		■	3.34
Operating frequency (3 dB points)	f_{LIM}	5	10.7	23	MHz		■	3.35
DATA FILTER								
Useable bandwidth	$BW_{BB\text{ FILT}}$			100	kHz		■	3.36
RSSI Level at Data Filter Output SLP	$RSSI_{low}$		1.1		V	LNA in high gain $RF_{IN} = -103\text{ dBm}$		3.37
RSSI Level at Data Filter Output SLP	$RSSI_{high}$		2.65		V	LNA in high gain $RF_{IN} = -30\text{ dBm}$		3.38
SLICER - Signal Output DATA (PIN 25)								
Useable bandwidth	$BW_{BB\text{ SLIC}}$			100	kHz		■	3.39
Capacitive loading of output	$C_{max\text{ SLIC}}$			20	pF			3.40
LOW output voltage	V_{SLIC_L}		0		V			3.41
HIGH output voltage	V_{SLIC_H}	$V_{CC}-1.3$	$V_{CC}-1$	$V_{CC}-0.7$	V	Output current = 200 μA		3.42
Output current	I_{SLIC_out}			200	μA			3.43
PEAK DETECTOR - Signal Output PDO (PIN 26)								
LOW output voltage	V_{SLIC_L}		0		V			3.44
HIGH output voltage	V_{SLIC_H}			$V_{CC}-1$	V			3.45
Load current	I_{load}	-500			μA	Static load current must not exceed -500 μA		3.46
Leakage current	$I_{leakage}$		700		nA			3.47
CRYSTAL OSCILLATOR - Signals CRST1, CRST2, (PINS 1/28)								
Operating frequency	f_{CRSTL}	5		11	MHz	Fundamental mode, series resonance		3.48
Input Impedance @ ~5 MHz	Z_{1-28}		-760 + j580		Ω		■	3.49
Input Impedance @ ~10 MHz	Z_{1-28}		-600 + j870		Ω		■	3.50

Table 7 AC/DC Characteristics with $T_{AMB} = 25\text{ °C}$, $V_{CC} = 4.5 \dots 5.5\text{ V}$ (cont'd)

Parameter	Symbol	Values			Unit	Note / Test Condition	Test	Number
		Min.	Typ.	Max.				
Serial Capacity @ ~5 MHz	$C_{S5} = C1$		9.3		pF			3.51
Serial Capacity @ ~10 MHz	$C_{S10} = C1$		6.4		pF			3.52
PLL - Signal LF (PIN 15)								
Tuning voltage relative to V_{CC}	V_{TUNE}	0.4	1.6	2.4	V			3.53
POWER DOWN MODE - Signal PDWN (PIN 27)								
Power Mode On	V_{ON}	2.8		V_{CC}	V			3.54
Power Mode Off	V_{Off}	0		0.8	V			3.55
Input bias current PDWN	I_{PDWN}		19		μA			3.56
Start-up Time until valid IF signal is detected	T_{SU}		1		ms	Depends on the used crystal		3.57
PLL DIVIDER - Signal CSEL (PIN 16)								
f_{CRSTL} range 5.xx MHz	V_{CSEL}	1.4		4 ²⁾	V	or open		3.58
f_{CRSTL} range 10.xx MHz	V_{CSEL}	0		0.2	V			3.59
Input bias current CSEL	I_{CSEL}		5		μA	CSEL tied to GND		3.60

1) See [Chapter 4.1](#), Choice of LNA Threshold Voltage and Time Constant

2) Maximum voltage in Power-On state is 4 V, but in PDWN-state the maximum voltage is 2.8 V.

**Attention: Test ■ means that the parameter is not subject to production test.
It was verified by design/characterization.**

5.2 Test Board

5.2.1 Test Circuit

The device performance parameters marked with ■ in [Chapter 5.1.3](#) are not subject to production test. They were verified by design/characterization.

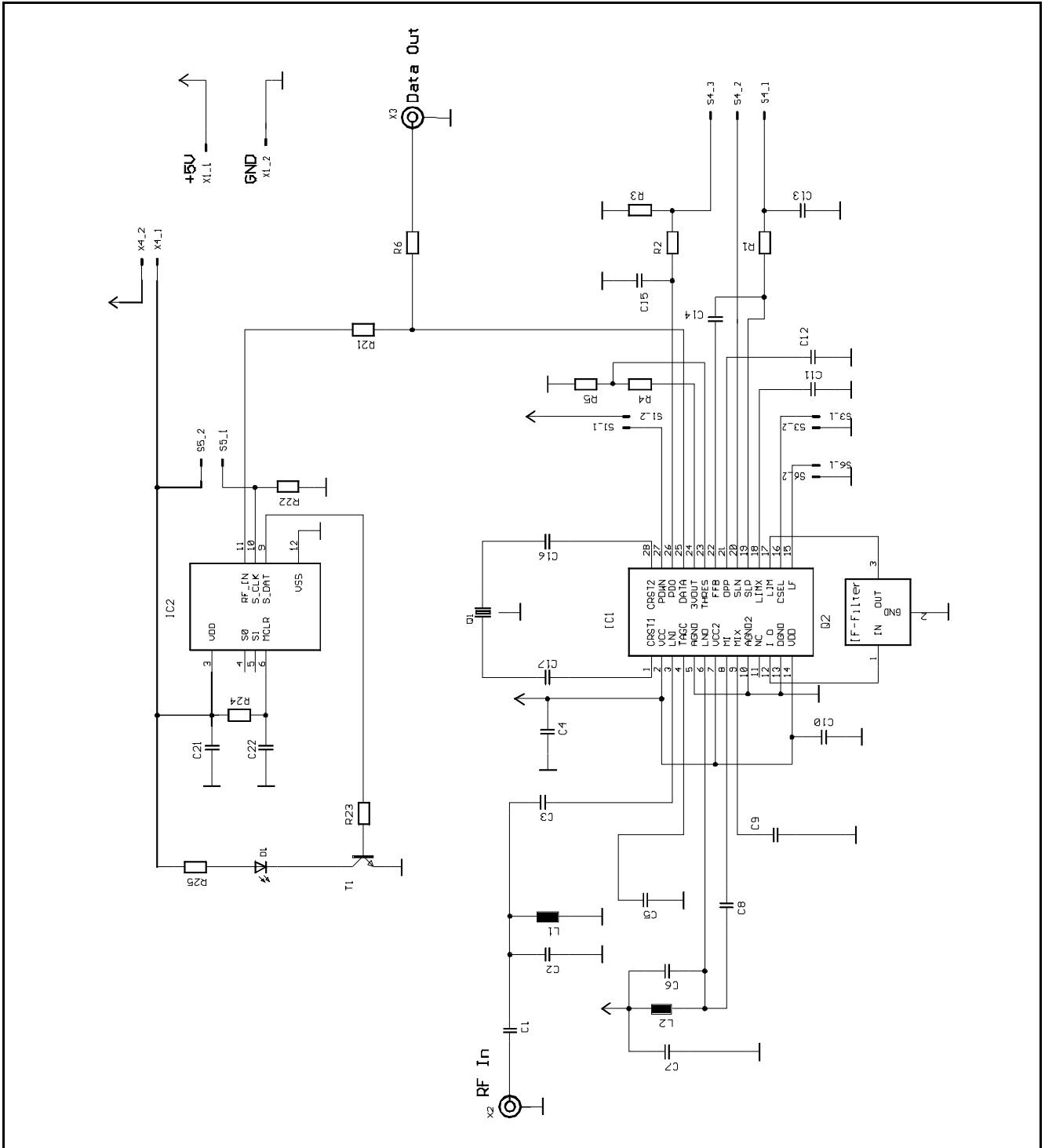


Figure 11 Schematic of the Evaluation Board

5.2.2 Test Board Layouts

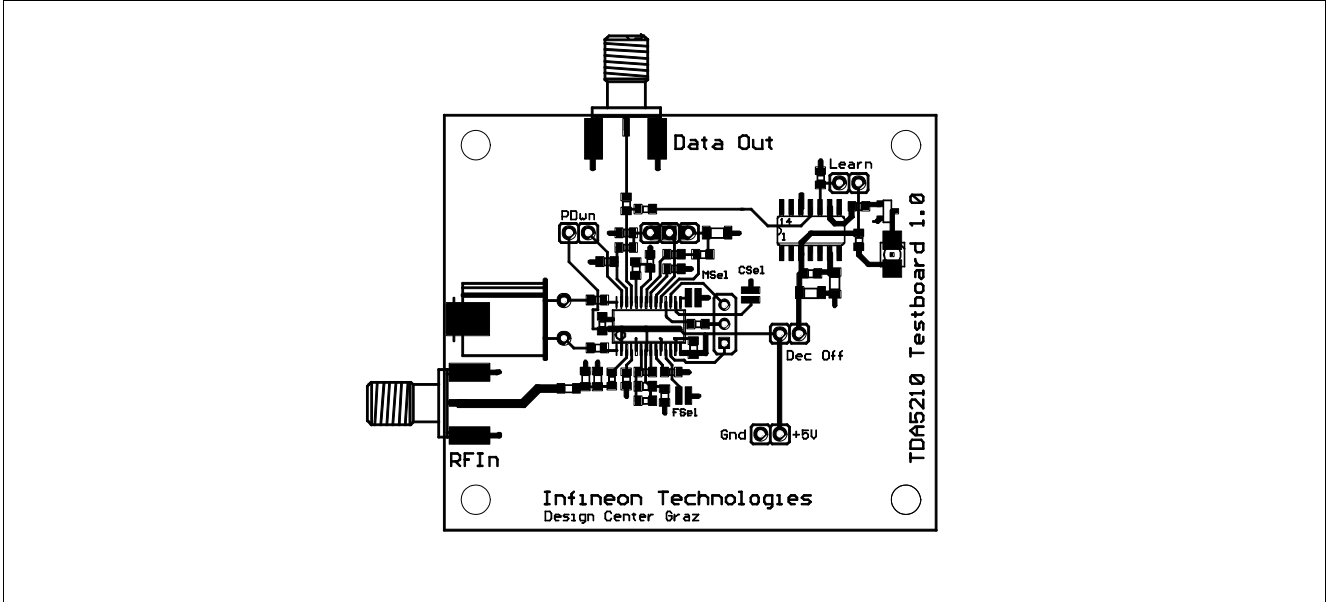


Figure 12 Top Side of the Evaluation Board

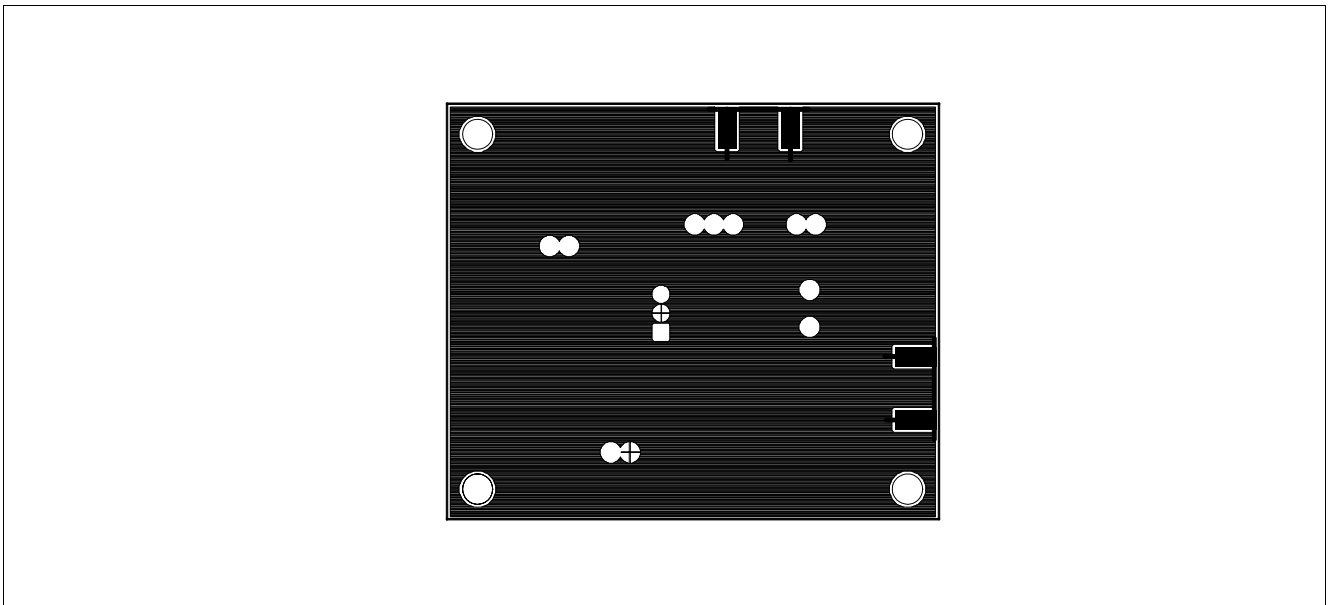


Figure 13 Bottom Side of the Evaluation Board

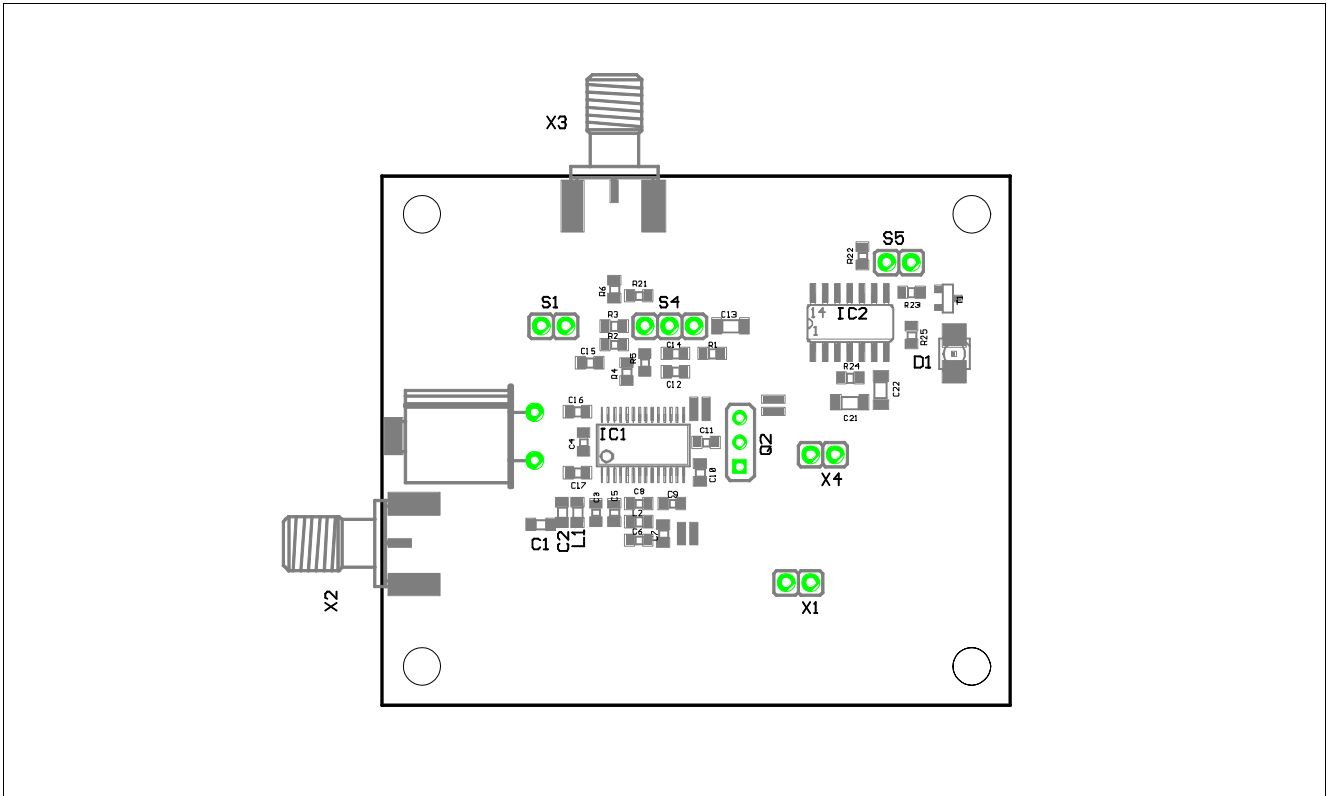


Figure 14 Component Placement on the Evaluation Board

5.2.3 Bill of Materials

The following components are necessary for evaluation of the TDA5201 at 315 MHz without use of a Microchip HCS515 decoder.

Table 8 Bill of Materials

Ref	Value	Specification
R1	100 kΩ	0805, ±5 %
R2	100 kΩ	0805, ±5 %
R3	820 kΩ	0805, ±5 %
R4	120 kΩ	0805, ±5 %
R5	180 kΩ	0805, ±5 %
R6	10 kΩ	0805, ±5 %
L1	15 nH	Toko, PTL2012-F15N0G
L2	12 pF	0805, COG, ±2 %
C1	3.3 pF	0805, COG, ±0.1 pF
C2	10 pF	0805, COG, ±0.1 pF
C3	6.8 pF	0805, COG, ±0.1 pF
C4	100 pF	0805, COG, ±5 %
C5	47 nF	1206, X7R, ±10 %
C6	15 nH	Toko, PTL2012-F15N0G
C7	100 pF	0805, COG, ±5 %
C8	33 pF	0805, COG, ±5 %
C9	100 pF	0805, COG, ±5 %
C10	10 nF	0805, X7R, ±10 %
C11	10 nF	0805, X7R, ±10 %
C12	220 pF	0805, COG, ±5 %
C13	47 nF	0805, X7R, ±10 %
C14	470 pF	0805, COG, ±5 %
C15	47 nF	0805, X7R, ±10 %
C16	18 pF	0805, COG, ±0.1 pF
C17	12 pF	0805, COG, ±2 %
Q2	$(315 + 10.7 \text{ MHz})/32$	HC49/U, fundamental mode, $C_L = 12 \text{ pF}$, 315 MHz: Jauch Q 10.17813-S11-1323-12-10/20
F1	SFE10.7MA5-A	Murata
X2, X3	142-0701-801	Johnson
X1, X4, S1, S5		2-pole pin connector
S4		3-pole pin connector, or not equipped
IC1	TDA5201	Infineon

The following components are necessary in addition to the above mentioned ones for evaluation of the TDA5201 in conjunction with a Microchip HCS515 decoder.

Table 9 Bill of Materials Addendum

Ref	Value	Specification
R21	22 kΩ	0805, ±5 %
R22	100 kΩ	0805, ±5 %
R23	22 kΩ	0805, ±5 %
R24	820 kΩ	0805, ±5 %
R25	560 kΩ	0805, ±5 %
C21	100 nF	1206, X7R, ±10 %
C22	100 nF	1206, X7R, ±10 %
IC2	HCS515	Microchip
T1	BC 847B	Infineon
D1	LS T670-JL	Infineon

Appendix - Noise Figure and Gain Circles

The following gain and noise figure circles were measured utilizing Microlab Stub Stretchers and a HP8514 network analyzer. Maximum gain is shown at point 1 at 18.5 dB, minimum noise figure is 1.9 dB at point 2, step size of circles is 0.5 dB.

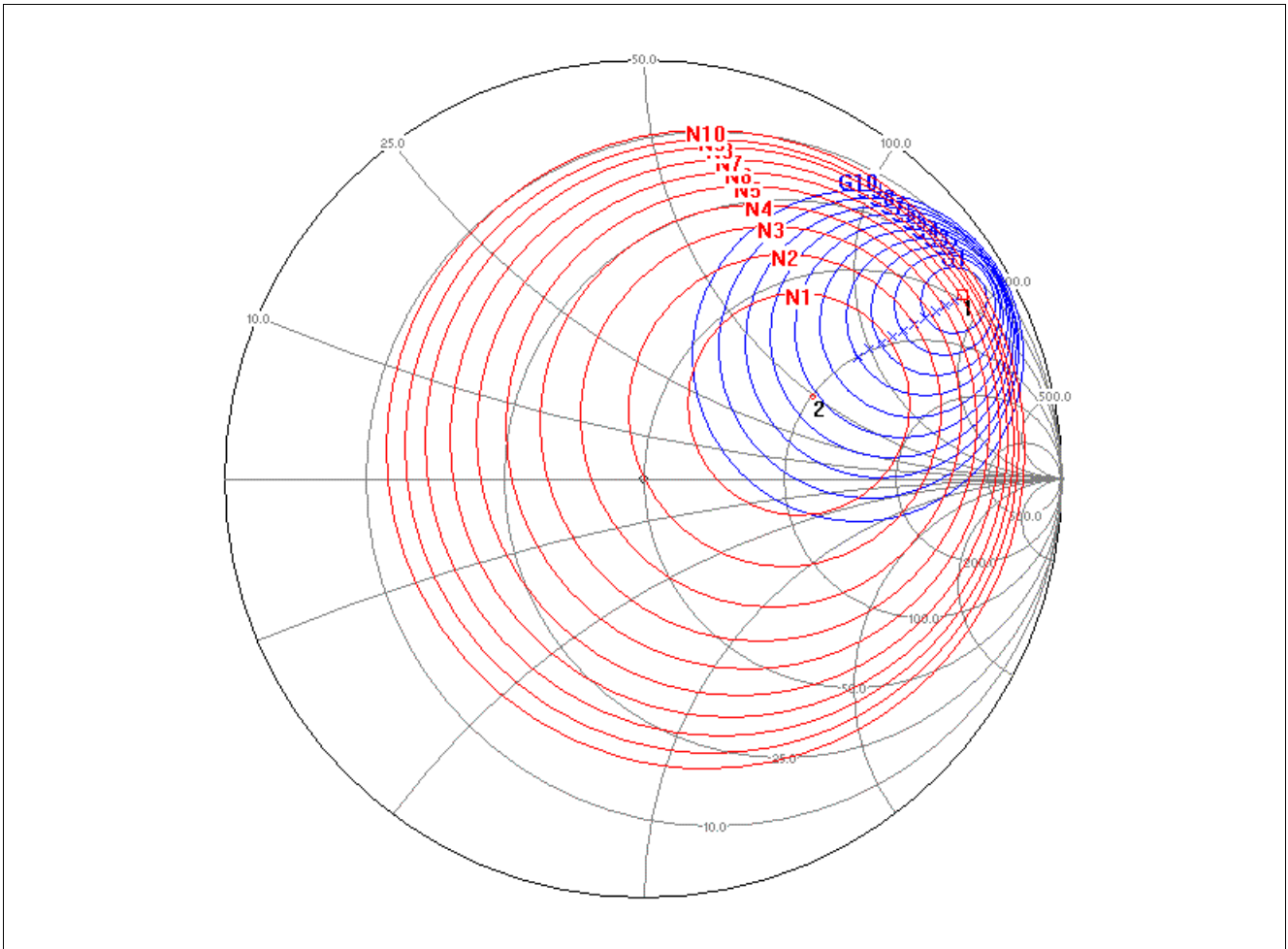


Figure 15 Gain and Noise Circles of the TDA5201 at 315 MHz

www.infineon.com

Published by Infineon Technologies AG

Downloaded From [Oneyac.com](https://www.oneyac.com)

单击下面可查看定价，库存，交付和生命周期等信息

[>>Infineon\(英飞凌\)](#)