

# Bias supply DC-DC

## KIT\_6W\_12V\_P7\_950V

Auxiliary supply solution featuring off-line SMPS current mode controller IC with 950 V CoolMOS™ P7 SJ MOSFET

# Description

## KIT\_6W\_12V\_P7\_950V



**Ordering code:**  
**KIT\_6W\_12V\_950V**

### Board components

- › Quasi-resonant flyback PWM controller (ICE5QSAG)
- › 950 V CoolMOS™ P7 SJ MOSFET (IPU95R3K7P7)

### Board specifications

- › Input voltage: 90 V<sub>DC</sub> - 400 V<sub>DC</sub>
- › Output voltage: 12 V<sub>DC</sub> (prim. and sec. side)
- › Output power max.: 6 W (prim. + sec. side)

### To be used with the following boards

- › EVAL\_800W\_ZVS\_FB\_CFD7
- › EVAL\_2KW\_ZVS\_FB\_CFD2
- › EVAL\_2KW\_ZVS\_FB\_CFD7
- › EVAL\_2.5KW\_CCM\_4PIN
- › EVAL\_2K5W\_CCM\_4P

# Product features

## ICE5QSAG

### Description:

- › Infineon latest 5<sup>th</sup> generation quasi-resonant flyback PWM controller offers high performance and comprehensive suite of protection to increase system robustness.

### Summary of features:

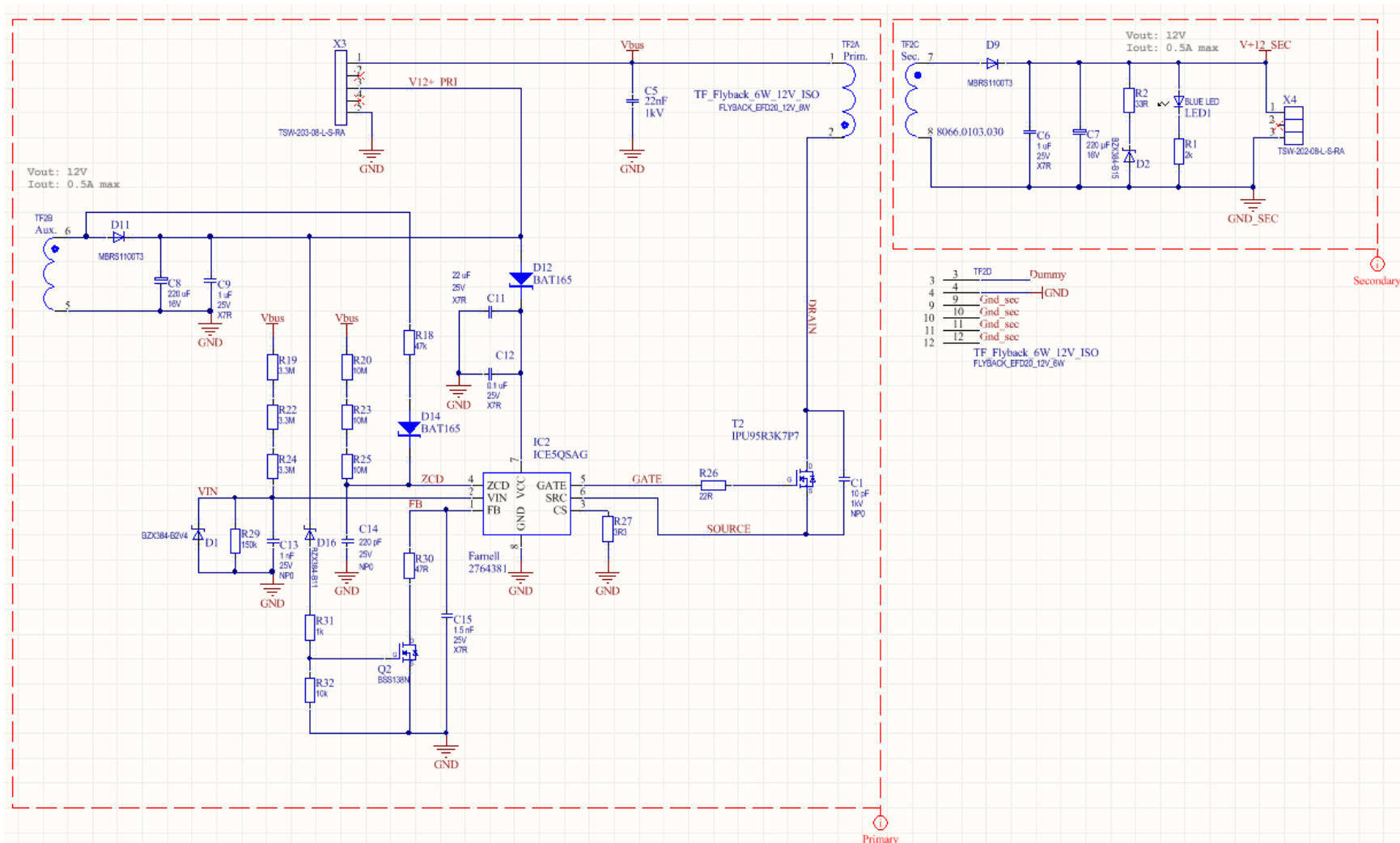
- › Novel quasi-resonant switching scheme
- › Rapid and adjustable start-up with cascode configuration
- › 2 level selectable active burst mode level
- › Built-in digital soft-start
- › Cycle by cycle peak current limitation
- › Digital frequency reduction with decreasing load for higher efficiency
- › Adjustable line input over-voltage and brown IN/OUT protection
- ›  $V_{CC}$  and CS pin short to ground protection
- › OLP, output short, output over-voltage, OTP with hysteresis and  $V_{CC}$  over/under voltage protection
- › Auto-restart for all protection features



### Benefits:

- › High efficiency with latest CoolMOS™ P7 SJ MOSFET family and quasi-resonant switching scheme
- › Auto-restart recovery scheme to minimize interruption to system operation
- › Extensive protection coverage to increase system robustness
- › Rapid start-up performance with cascode configuration

# Schematic

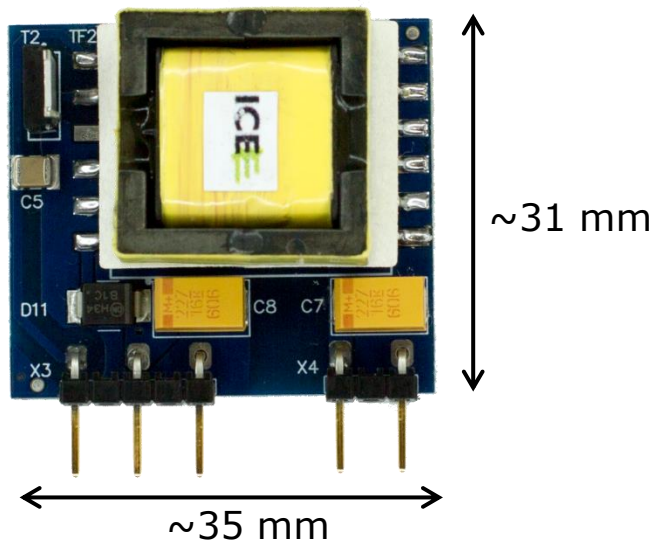


# Base board KIT\_6W\_12V\_P7\_950V



Ordering code:  
KIT\_6W\_12V\_P7\_950V

Auxiliary supply solution featuring off-line SMPS current mode controller IC with an 950 V CoolMOS™ SJ MOSFET





## Technical Material

- > Application Notes
- > Simulation Models
- > Datasheets
- > PCB Design Data

> [KIT 6W 12V P7 950V](#)

## Evaluation Boards

- > Evaluation Boards
- > Demoboards
- > Reference Designs

> [www.infineon.com/evaluationboards](http://www.infineon.com/evaluationboards)

## Videos

- > Technical Videos
- > Product Information Videos

> [www.infineon.com/mediacenter](http://www.infineon.com/mediacenter)

# Support Online tools and services



1 **Subscribe to Newsletter**

2 **Where to Buy**

3 **Tools, Finders and Selectors**

4 **Support**

- Products
- Applications
- Tools
- Support
- Technology

- Power
  - Automotive System IC
  - ESD & EMI
  - Microcontroller
  - RF & Wireless Control
  - Security IC
  - Sensor
  - Smart Card IC
  - Interface
  - Transistor & Diode
- Power Overview
  - Power MOSFET
  - IGBT
  - Smart Low-Side & High-Side Switches
  - Linear Voltage Regulator
  - DC-DC Converter
  - LED Driver | Lighting ICs
  - Silicon Carbide (SiC)
  - High Power Thyristors & Diodes
  - Motor Control & Gate Driver
  - AC-DC Supply

News & Tweets



Part of your life. Part of tomorrow.





单击下面可查看定价，库存，交付和生命周期等信息

[>>Infineon\(英飞凌\)](#)