

Differential Two-Wire Hall Effect
Sensor-IC for Wheel Speed Applications
with Direction Detection

TLE4942-1
TLE4942-1C

Sensors



Never stop thinking.

Edition 2004-03-19

**Published by Infineon Technologies AG,
St.-Martin-Strasse 53,
81669 München, Germany**

**© Infineon Technologies AG 2005.
All Rights Reserved.**

Attention please!

The information herein is given to describe certain components and shall not be considered as a guarantee of characteristics.

Terms of delivery and rights to technical change reserved.

We hereby disclaim any and all warranties, including but not limited to warranties of non-infringement, regarding circuits, descriptions and charts stated herein.

Information

For further information on technology, delivery terms and conditions and prices please contact your nearest Infineon Technologies Office (www.infineon.com).

Warnings

Due to technical requirements components may contain dangerous substances. For information on the types in question please contact your nearest Infineon Technologies Office.

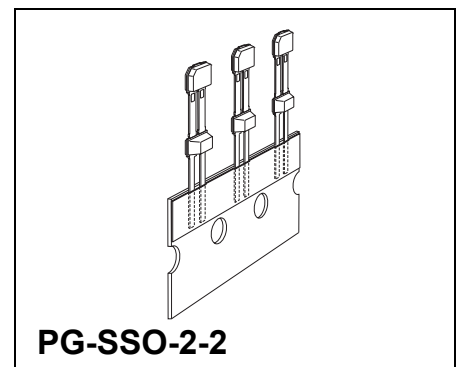
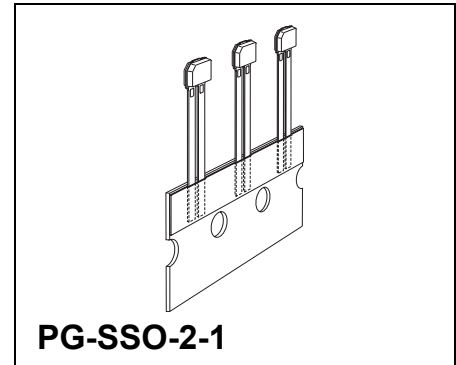
Infineon Technologies Components may only be used in life-support devices or systems with the express written approval of Infineon Technologies, if a failure of such components can reasonably be expected to cause the failure of that life-support device or system, or to affect the safety or effectiveness of that device or system. Life support devices or systems are intended to be implanted in the human body, or to support and/or maintain and sustain and/or protect human life. If they fail, it is reasonable to assume that the health of the user or other persons may be endangered.

Differential Two-Wire Hall Effect Sensor IC

TLE4942-1
TLE4942-1C

Features

- Two-wire PWM current interface
- Detection of rotation direction
- Airgap diagnosis
- Assembly position diagnosis
- Dynamic self-calibration principle
- Single chip solution
- No external components needed
- High sensitivity
- South and north pole pre-induction possible
- High resistance to piezo effects
- Large operating air-gaps
- Wide operating temperature range
- TLE4942-1C: 1.8 nF overmolded capacitor



| Type | Marking | Ordering Code | Package |
|------------|---------|---------------|------------|
| TLE4942-1 | 4201R4 | Q62705-K738 | PG-SSO-2-1 |
| TLE4942-1C | 42C1R4 | Q62705-K709 | PG-SSO-2-2 |

The Hall Effect sensor IC TLE4942-1 is designed to provide information about rotational speed, direction of rotation, assembly position and limit airgap to modern vehicle dynamics control systems and ABS. The output has been designed as a two wire current interface based on a Pulse Width Modulation principle. The sensor operates without external components and combines a fast power-up time with a low cut-off frequency. Excellent accuracy and sensitivity is specified for harsh automotive requirements as a wide temperature range, high ESD robustness and high EMC resilience. State-of-the-art BiCMOS technology is used for monolithic integration of the active sensor areas and the signal conditioning.

Finally, the optimized piezo compensation and the integrated dynamic offset compensation enable easy manufacturing and elimination of magnet offsets. The TLE4942-1 is additionally provided with an overmolded 1.8 nF capacitor for improved EMI performance.

Pin Configuration
(top view)

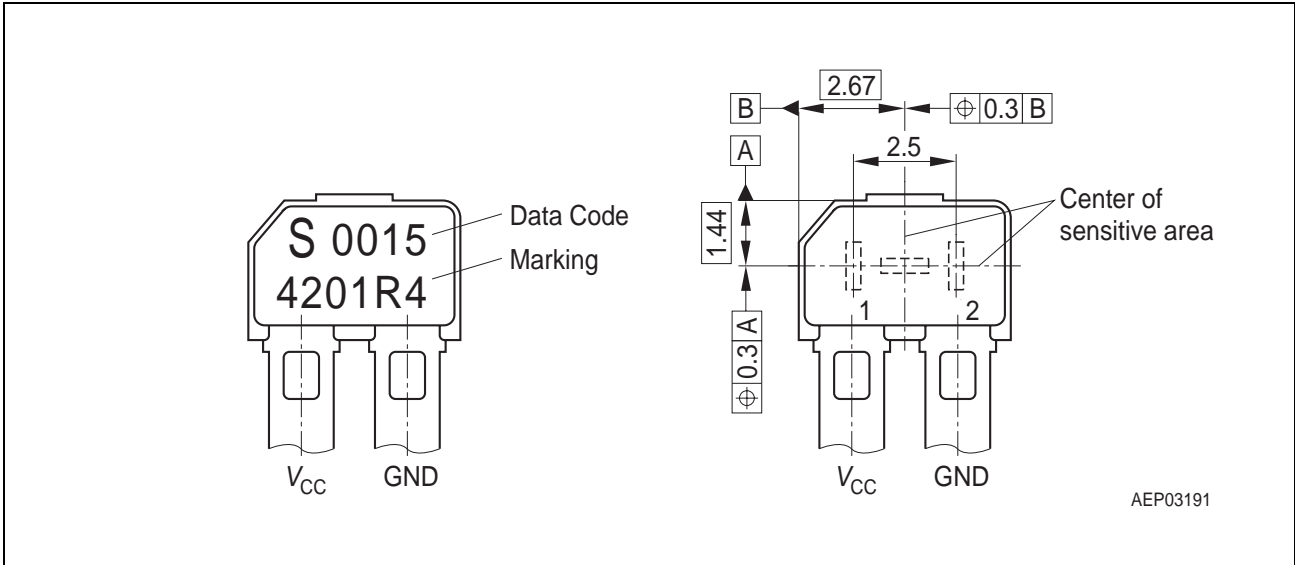


Figure 1

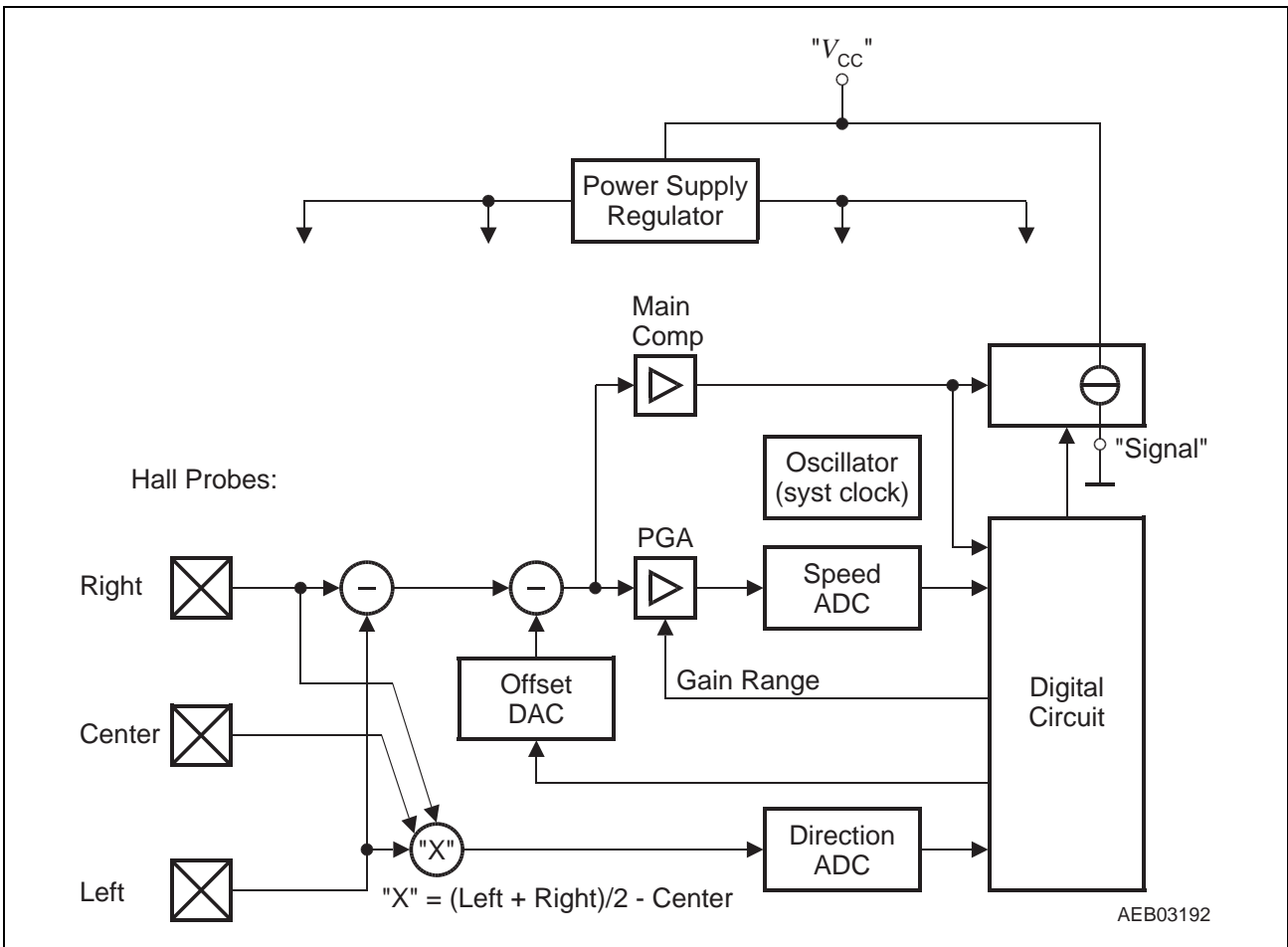


Figure 2 Block Diagram

Functional Description

The differential Hall Effect IC detects the motion of ferromagnetic or permanent magnet structures by measuring the differential flux density of the magnetic field. To detect the motion of ferromagnetic objects the magnetic field must be provided by a backbiasing permanent magnet. Either the South or North pole of the magnet can be attached to the rear, unmarked side of the IC package.

Magnetic offsets of up to ± 20 mT and mechanical offsets are cancelled out through a self-calibration algorithm. Only a few transitions are necessary for the self-calibration procedure. After the initial self-calibration sequence switching occurs when the input signal crosses the arithmetic mean of its max. and min. values (e.g. zero-crossing for sinusoidal signals).

The ON and OFF state of the IC are indicated by **High** and **Low** current consumption. Each zero crossing of the magnetic input signal triggers an output pulse.

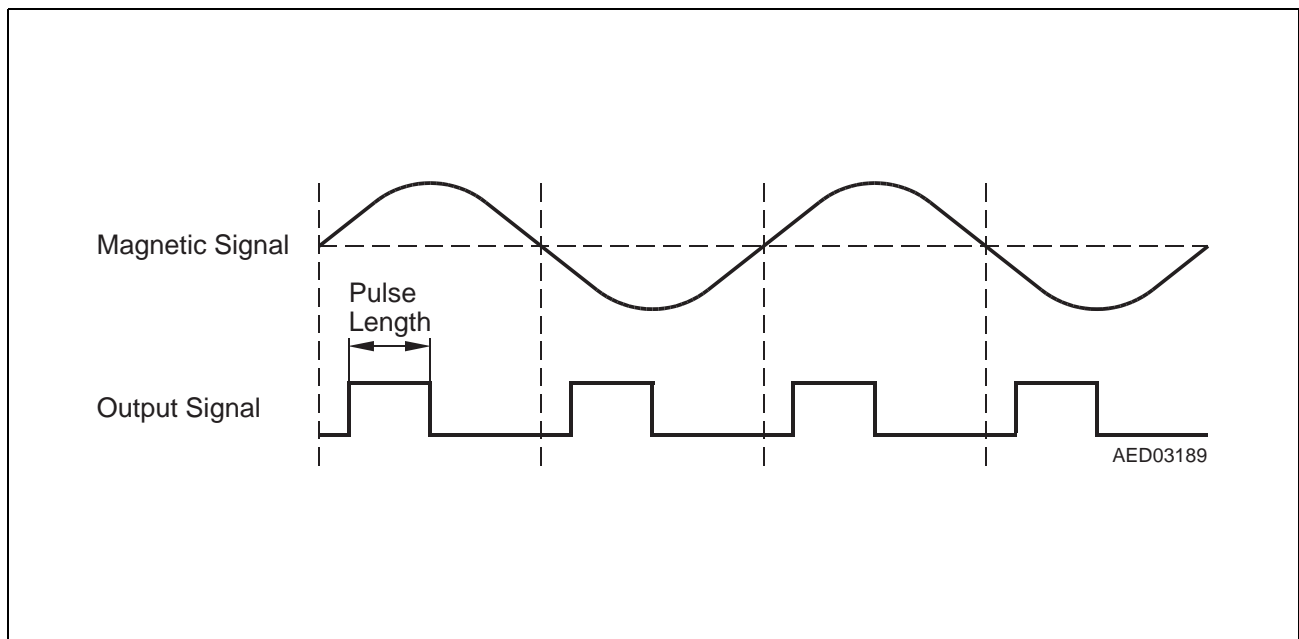


Figure 3 Zero-Crossing Principle and Corresponding Output Pulses

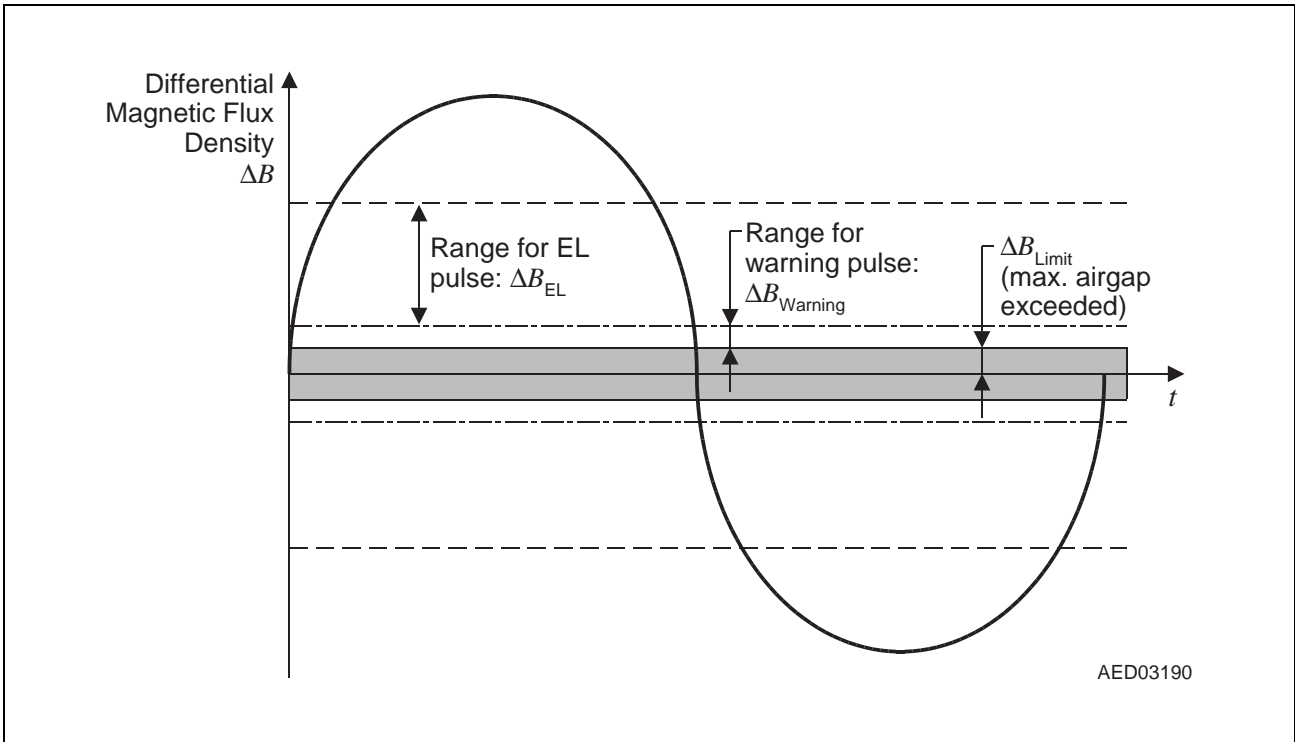


Figure 4 Definition of Differential Magnetic Flux Density Ranges

In addition to the speed signal, the following information is provided by varying the length of the output pulses in **Figure 3** (PWM modulation):

Airgap Warning range = Warning

Warning information is issued in the output pulse length when the magnetic field is below a critical value (e. g. the airgap between the Hall Effect IC and the target wheel exceeds a critical value). The device works with reduced functionality. Warning information is given only in calibrated mode.

Assembly position range = EL

EL information is issued in the output pulse length when the magnetic field is below a predefined value (the airgap between the Hall Effect IC and the target wheel exceeds a predefined value). The device works with full functionality.

Direction of rotation right = DR-R

DR-R information is issued in the output pulse length when the target wheel in front of the Hall Effect IC moves from the pin GND to the pin V_{CC} .

Direction of rotation left = DR-L

DR-L information is issued in the output pulse length when the target wheel in front of the Hall Effect IC moves from the pin V_{CC} to the pin GND. At sufficient magnetic field the direction information will be corrected already during uncalibrated mode after 2 pulses.

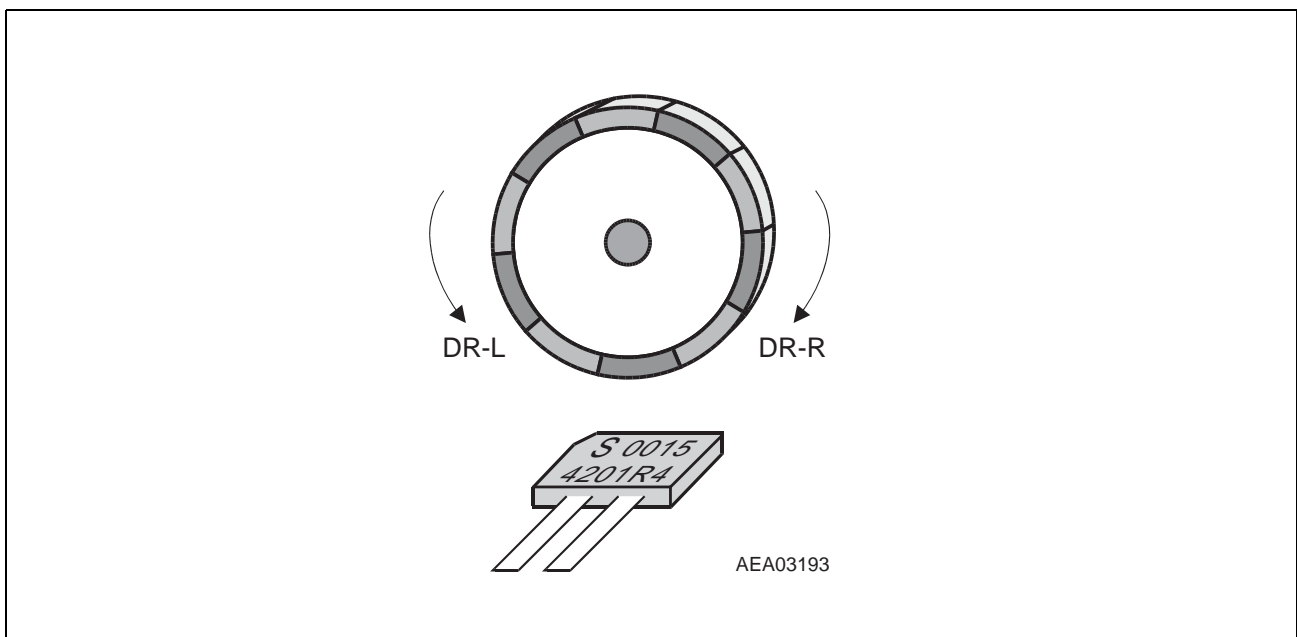


Figure 5 Definition of Rotation Direction

Circuit Description

The circuit is supplied internally by a voltage regulator. An on-chip oscillator serves as a clock generator for the DSP and the output encoder.

Speed Signal Circuitry

TLE4942-1 speed signal path comprises of a pair of Hall Effect probes, separated from each other by 2.5 mm, a differential amplifier including noise limiting low-pass filter, and a comparator triggering a switched current output stage. An offset cancellation feedback loop is provided through a signal-tracking A/D converter, a digital signal processor (DSP), and an offset cancellation D/A converter.

During the power-up phase the output is disabled (low state).

Uncalibrated Mode

Occasionally a short initial offset settling time $t_{d,input}$ might delay the detection of the input signal (the sensor is “blind”). This happens at power on or when a stop pulse is issued.

The magnetic input signal is tracked by the speed ADC and monitored within the digital circuit. For detection of a magnetic edge the signal transient needs to exceed a threshold (digital noise constant, $\Delta B_{Limit, early startup}$). Only the first edge is suppressed internally. With the second detected edge pulses are issued at the output. When the signal slope is identified as a rising edge (or falling edge), a comparator is triggered. The comparator is triggered again as soon as a falling edge (or rising edge respectively) is detected (and vice versa). The minimum and maximum values of the input signal are extracted and their corresponding arithmetic mean value is calculated. The offset of this mean value is determined and fed into the offset cancellation DAC.

Between the startup of the magnetic input signal and the time when its second extreme is reached, the PGA (programmable gain amplifier) will switch to its appropriate position. This value is determined by the signal amplitude and initial offset value. The digital noise constant value is increased, leading to a change in phase shift between magnetic input signal and output signal. After that consecutive output pulses should have a nominal delay of about 180°.

Transition to Calibrated Mode

In the calibrated mode the phase shift between input and output signal is no longer determined by the ratio between digital noise constant and signal amplitude. Therefore a sudden change in the phase shift may occur during the transition from uncalibrated to calibrated mode.

Calibrated Mode

During the uncalibrated mode the offset value is calculated by the peak detection algorithm. In running mode (calibrated mode) the offset correction algorithm of the DSP

is switched into a low-jitter mode, thereby avoiding oscillation of the offset DAC LSB. Switching occurs at zero-crossover of the differential magnetic signal. It is only affected by the small residual offset of the comparator and by the propagation delay time of the signal path, which is mainly determined by the noise limiting filter. Signals which are below a predefined threshold ΔB_{Limit} are not detected. This prevents unwanted switching. The comparator also detects whether the signal amplitude exceeds $\Delta B_{\text{Warning}}$ or ΔB_{EL} . This information is fed into the DSP and the output encoder. The pulse length of the High output current is generated according to the rotational speed, the direction of rotation and the magnetic field strength.

Direction Signal Circuitry

The differential signal between a third Hall probe and the mean of the differential Hall probe pair is obtained from the direction input amplifier. This signal is digitized by the direction ADC and fed into the DSP circuitry. There, the phase of the signal referring to the speed signal is analyzed and the direction information is forwarded to the output encoder.

Additional Notes

Typically the phase error due to PGA-transition reduces the error caused by switching the mode from uncalibrated to calibrated.

In very rare cases a further PGA switching can occur during the calibration process. It can take place when the signal is extremely close to a PGA switching threshold. This additional switching might delay the transition to calibrated mode by two more pulses. The probability of this case is mainly depending on variations of magnetic amplitude under real automotive conditions (see Appendix B)

The direction detection feature is also active in the uncalibrated mode but only at substantial magnetic signal. The correct direction information is worst case available after the first two output pulses in calibrated mode. Regarding the rare case mentioned before combined with other initial conditions this may lead to a worst case of 9 pulses before correct direction information is guaranteed.

Package Information

Pure tin covering (green lead plating) is used. Leadframe material is Wieland K62 (UNS: C18090) and contains CuSn1CrNiTi. Product is ROHS compliant and may contain a data matrix code on the rear side of the package.

Table 1 Absolute Maximum Ratings

$$T_j = -40^{\circ}\text{C to } 150^{\circ}\text{C}, 4.5\text{ V} \leq V_{\text{CC}} \leq 16.5\text{ V}$$

| Parameter | Symbol | Limit Values | | Unit | Remarks |
|----------------------------------|-----------------------|--------------|------|--------------------|--|
| | | min. | max. | | |
| Supply voltage | V_{CC} | -0.3 | - | V | $T_j < 80^{\circ}\text{C}$ |
| | | - | 16.5 | | $T_j = 170^{\circ}\text{C}$ |
| | | - | 20 | | $T_j = 150^{\circ}\text{C}$ |
| | | - | 22 | | $t = 10 \times 5\text{ min}$ |
| | | - | 24 | | $t = 10 \times 5\text{ min}$, $R_M \geq 75\ \Omega$ included in V_{CC} |
| | | - | 27 | | $t = 400\text{ ms}$, $R_M \geq 75\ \Omega$ included in V_{CC} |
| Reverse polarity current | I_{rev} | - | 200 | mA | External current limitation required, $t < 4\text{ h}$ |
| Junction temperature | T_j | - | 150 | $^{\circ}\text{C}$ | 5000 h, $V_{\text{CC}} < 16.5\text{ V}$ |
| | | - | 160 | | 2500 h, $V_{\text{CC}} < 16.5\text{ V}$ (not additive) |
| | | - | 170 | | 500 h, $V_{\text{CC}} < 16.5\text{ V}$ (not additive) |
| | | - | 190 | | 4 h, $V_{\text{CC}} < 16.5\text{ V}$ |
| Active lifetime | $t_{\text{B,active}}$ | 10000 | - | h | |
| Storage temperature | T_{S} | -40 | 150 | $^{\circ}\text{C}$ | |
| Thermal resistance PG-SSO-2-1 | R_{thJA} | - | 190 | K/W | ¹⁾ |

1) Can be improved significantly by further processing like overmolding

Note: Stresses in excess of those listed here may cause permanent damage to the device. Exposure to absolute maximum rating conditions for extended periods may affect device reliability.

Table 2 ESD Protection

Human Body Model (HBM) tests according to:
 Standard EIA/JESD22-A114-B HBM (covers MIL STD 883D)

| Parameter | Symbol | Limit Values | | Unit | Notes |
|---|-----------|--------------|----------|------|---|
| | | min. | max. | | |
| ESD-Protection TLE4942-1 TLE4942-1C | V_{ESD} | – | ± 12 | kV | $R = 1.5 \text{ k}\Omega$, $C = 100 \text{ pF}$ |

Table 3 Operating Range

| Parameter | Symbol | Limit Values | | Unit | Remarks |
|--|------------------------|--------------|-------|------|--|
| | | min. | max. | | |
| Supply voltage | V_{CC} | 4.5 | 20 | V | Directly on IC leads includes not the R_M voltage drop |
| Supply voltage ripple | V_{AC} | – | 6 | Vpp | $V_{CC} = 13 \text{ V}$ $0 < f < 50 \text{ kHz}$ |
| Junction temperature | T_j | – 40 | 150 | °C | 500 h $V_{CC} \leq 16.5 \text{ V}$, increased jitter permissible |
| | | – | 170 | | |
| Pre-induction | B_0 | – 500 | + 500 | mT | |
| Pre-induction offset between outer probes | $\Delta B_{stat.,lr}$ | – 20 | + 20 | mT | |
| Pre-induction offset between mean of outer probes and center probe | $\Delta B_{stat.,m/o}$ | – 20 | + 20 | mT | |
| Differential Induction | ΔB | – 120 | + 120 | mT | |

Note: Within the operating range the functions given in the circuit description are fulfilled.

Table 4 Electrical Characteristics

All values specified at constant amplitude and offset of input signal, over operating range, unless otherwise specified.

Typical values correspond to $V_{CC} = 12\text{ V}$ and $T_A = 25^\circ\text{C}$

| Parameter | Symbol | Limit Values | | | Unit | Remarks |
|--|--|--------------|----------|-----------------|----------------|---|
| | | min. | typ. | max. | | |
| Supply current | I_{LOW} | 5.9 | 7 | 8.4 | mA | |
| Supply current | I_{HIGH} | 11.8 | 14 | 16.8 | mA | |
| Supply current ratio | I_{HIGH} / I_{LOW} | 1.9 | – | – | | |
| Output rise/fall slew rate TLE4942-1 | t_r, t_f | 12 7.5 | – | 26 24 | mA/ μ s | $R_M \leq 150\ \Omega$ $R_M \leq 750\ \Omega$ See Figure 6 |
| Output rise/fall slew rate TLE4942-1C | t_r, t_f | 8 8 | – | 22 26 | mA/ μ s | $R_M = 75\ \Omega$ $T < 125^\circ\text{C}$ $T < 170^\circ\text{C}$ See Figure 6 |
| Current ripple dI_X/dV_{CC} | I_X | – | – | 90 | μ A/V | |
| Limit threshold 1 Hz $< f < 2500$ Hz 2500 Hz $< f < 5000$ Hz | ΔB_{Limit} | 0.35 – | 0.8 – | 1.5 1.6 | mT | ¹⁾ |
| Airgap warning threshold 1 Hz $< f < 2500$ Hz 2500 Hz $< f < 5000$ Hz | $\Delta B_{Warning}$ | 0.9 – | 1.6 – | 2.6 2.8 | mT | ¹⁾ |
| Limit - Airgap warning threshold ratio | $\Delta B_{Warning} / \Delta B_{Limit}$ | 1.3 | 2 | 2.7 | | |
| Assembly position threshold | ΔB_{EL} | 5.2 | 7.2 | 9.6 | mT | ¹⁾ At room temp |
| Magnetic differential field change necessary to detect magnetic edge in uncalibrated mode | $\Delta \dot{B}_{Limit, early}$ startup | – | – | – | | First detected magnetic edge is suppressed (nonvalid) |
| $\Delta B_{Limit, early}$ startup | | 0.7 | 1.76 | 3.3 | mT | |
| Initial calibration delay time | $t_{d,input}$ | 255 | 300 | 345 | μ s | Additional to n_{start} |
| Magnetic edges suppressed until output switching | $n_{DZ-start}$ | – | – | 1 ²⁾ | magn. edges | After power on and stop pulse |

Table 4 Electrical Characteristics (cont'd)

All values specified at constant amplitude and offset of input signal, over operating range, unless otherwise specified.

Typical values correspond to $V_{CC} = 12\text{ V}$ and $T_A = 25^\circ\text{C}$

| Parameter | Symbol | Limit Values | | | Unit | Remarks |
|--|----------------------------------|--------------|------|----------------------|---------------|--|
| | | min. | typ. | max. | | |
| Magnetic edges required for offset calibration ²⁾ | $n_{\text{DZ-calibration}}$ | – | – | 6 ²⁾ | magn. edges | 7 th edge correct ³⁾ |
| in rare cases (see Appendix B) | $n_{\text{DZ-calibration-rare}}$ | – | – | 8 | edges | |
| Number of pulses in uncalibrated mode | $n_{\text{DZ-Startup}}$ | – | – | 5 | pulses | |
| in rare cases (see Appendix B) | $n_{\text{DZ-Startup-rare}}$ | – | – | 7 | pulses | |
| Number of pulses with invalid direction information $\Delta B < \Delta B_{\text{EL}}$ $\Delta B > \Delta B_{\text{EL}}$ | $n_{\text{DR-Startup}}$ | – | – | 7 2 ⁴⁾ | pulses | After $n_{\text{DR-Startup}}$ pulses + 1 the direction information is correct |
| Number of pulses with invalid assembly bit information | $n_{\text{EL-Startup}}$ | – | – | 7 | pulses | After $n_{\text{EL-Startup}}$ pulses + 1 the assembly bit information is correct |
| Number of pulses where the airgap warning information is suppressed | $n_{\text{LR-Startup}}$ | – | – | 5 | pulses | LR information is provided only in calibrated mode |
| Signal behavior after undervoltage or standstill $> t_{\text{Stop}}$ Number of magnetic edges where the first pulse is given. | $n_{\text{DZ-Start}}$ | – | – | 2 | edges | Magnetic edge according to $\Delta B_{\text{Limit, early startup}}$ $t_{\text{d,input}}$ has to be taken into account |
| Shortest time delay between pulse 0 (stop pulse) and pulse 1 | | 293 | 345 | 397 | μs | Reference rising edges, includes pre low length |

Table 4 Electrical Characteristics (cont'd)

All values specified at constant amplitude and offset of input signal, over operating range, unless otherwise specified.

Typical values correspond to $V_{CC} = 12\text{ V}$ and $T_A = 25^\circ\text{C}$

| Parameter | Symbol | Limit Values | | | Unit | Remarks |
|---|------------------------------|--------------|--------|----------------------|---------------|---|
| | | min. | typ. | max. | | |
| Shortest time delay between wheel speed pulse 1 and 2 and all further pulses | | 38 | 45 | 52 | μs | Falling to rising edge - identical with pre low bit length |
| Phase shift change during PGA switching | | 0 | – | 80 | $^\circ$ | |
| Phase shift change during transition from uncalibrated to calibrated mode | $\Delta\Phi_{\text{switch}}$ | – 90 | – | + 90 | $^\circ$ | |
| Frequency | f | 1 2500 | – – | 2500 5000 | Hz | 5) |
| Frequency changes | df/dt | – | – | ± 100 | Hz/ms | |
| Duty cycle | duty | 40 | 50 | 60 | % | 6) Measured @ $\Delta B = 2\text{ mT}$ sine wave Def. Figure 7 |
| Jitter, $T_j < 150^\circ\text{C}$ $T_j < 170^\circ\text{C}$ $1\text{ Hz} < f < 2500\text{ Hz}$ | $S_{\text{Jit-close}}$ | – – | – – | ± 2 ± 3 | % | 7) 1σ value $V_{CC} = 12\text{ V}$ $\Delta B \geq 2\text{ mT}$ |
| Jitter, $T_j < 150^\circ\text{C}$ $T_j < 170^\circ\text{C}$ $2500\text{ Hz} < f < 5000\text{ Hz}$ | $S_{\text{Jit-close}}$ | – – | – – | ± 3 ± 4.5 | % | 7) 1σ value $V_{CC} = 12\text{ V}$ $\Delta B \geq 2\text{ mT}$ |
| Jitter, $T_j < 150^\circ\text{C}$ $T_j < 170^\circ\text{C}$ $1\text{ Hz} < f < 2500\text{ Hz}$ | $S_{\text{Jit-far}}$ | – – | – – | ± 4 ± 6 | % | 7) 1σ value $V_{CC} = 12\text{ V}$ $2\text{ mT} \geq \Delta B > \Delta B_{\text{Limit}}$ |
| Jitter, $T_j < 150^\circ\text{C}$ $T_j < 170^\circ\text{C}$ $2500\text{ Hz} < f < 5000\text{ Hz}$ | $S_{\text{Jit-far}}$ | – – | – – | ± 6 ± 9 | % | 7) 1σ value $V_{CC} = 12\text{ V}$ $2\text{ mT} \geq \Delta B > \Delta B_{\text{Limit}}$ |

Table 4 Electrical Characteristics (cont'd)

All values specified at constant amplitude and offset of input signal, over operating range, unless otherwise specified.

Typical values correspond to $V_{CC} = 12\text{ V}$ and $T_A = 25^\circ\text{C}$

| Parameter | Symbol | Limit Values | | | Unit | Remarks |
|---|---|--------------|------|---------|------|--|
| | | min. | typ. | max. | | |
| Jitter during startup and uncalibrated mode | $S_{\text{Jit-close}}$ (1 σ -value) | – | – | ± 3 | % | $-40^\circ\text{C} \leq T_{\text{amb}} \leq 150^\circ\text{C}$ $150^\circ\text{C} \leq T_{\text{amb}} \leq 170^\circ\text{C}$ |
| | | – | – | ± 4 | | |
| | $S_{\text{Jit-far}}$ (1 σ -value) | – | – | ± 5 | % | $-40^\circ\text{C} \leq T_{\text{amb}} \leq 150^\circ\text{C}$ $150^\circ\text{C} \leq T_{\text{amb}} \leq 170^\circ\text{C}$ |
| | | – | – | ± 7 | | |
| Jitter at board net ripple | $S_{\text{Jit-AC}}$ | – | – | ± 2 | % | ⁷⁾ $V_{CC} = 13\text{ V} \pm 6\text{ Vpp}$ $0 < f < 50\text{ kHz}$ $\Delta B = 15\text{ mT}$ |
| Jitter at board net ripple in uncalibrated mode | $S_{\text{Jit-AC}}$ (1 σ -value) | – | – | ± 3 | % | ⁷⁾ $V_{CC} = 13\text{ V} \pm 6\text{ Vpp}$ $0 < f < 50\text{ kHz}$ $\Delta B = 15\text{ mT}$ |

- 1) Magnetic amplitude values, sine magnetic field, Limits refer to the 50% criteria. 50% of pulses are missing or wrong. Valid in calibrated mode only.
- 2) The sensor requires up to n_{start} magnetic switching edges for valid speed information after power-up or after a stand still condition. During that phase the output is disabled.
- 3) One magnetic edge is defined as a monotonic signal change of more than 3.3 mT
- 4) Direction signal is given already during uncalibrated mode. Assembly Bit information is only provided in calibrated mode
- 5) High frequency behavior not subject to production test - verified by design/characterization. Frequency above 2500 Hz may have influence on jitter performance and magnetic thresholds. DR-R pulse length will be cut off above app. 3.3 kHz Therefore direction detection may not be possible anymore at high frequency.
- 6) During fast offset alterations, due to the calibration algorithm, exceeding the specified duty cycle is permitted for short time periods
- 7) Not subject to production test- verified by design/characterization

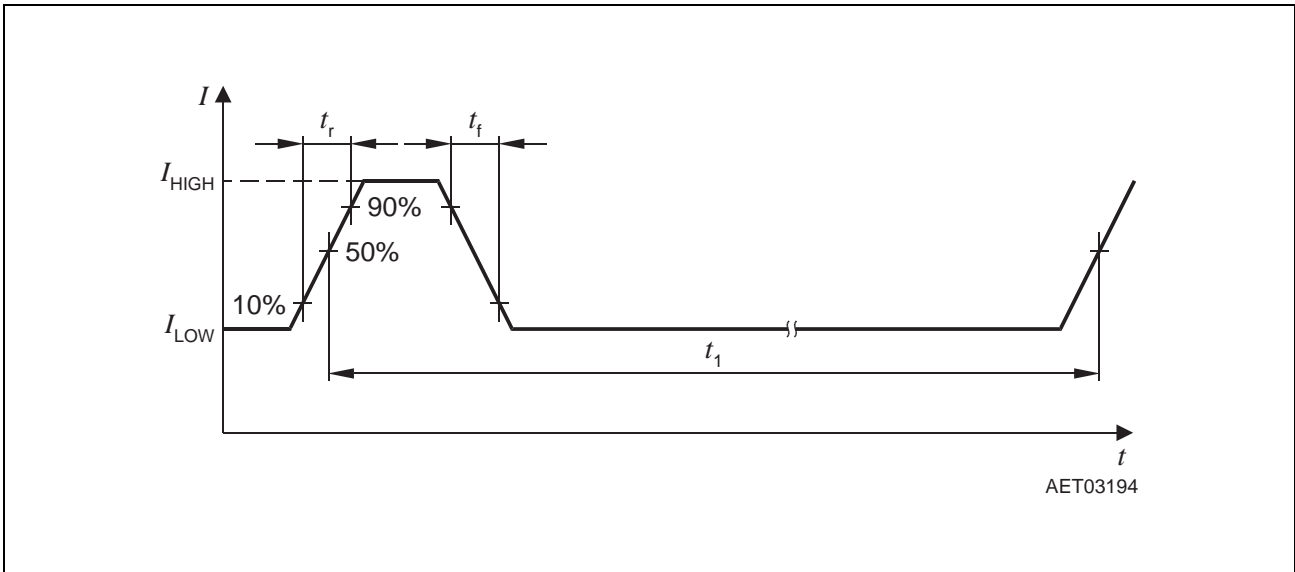


Figure 6 Definition of Rise and Fall Time

Table 5 Timing Characteristics

| Parameter | Symbol | Limit Values | | | Unit | Remarks |
|---------------------------------------|-----------------------|--------------|------|-------|---------------|--------------|
| | | min. | typ. | max. | | |
| Pre-low length | $t_{\text{pre-low}}$ | 38 | 45 | 52 | μs | |
| Length of Warning pulse | t_{Warning} | 38 | 45 | 52 | μs | |
| Length of DR-L pulse | $t_{\text{DR-L}}$ | 76 | 90 | 104 | μs | |
| Length of DR-R pulse | $t_{\text{DR-R}}$ | 153 | 180 | 207 | μs | |
| Length of DR-L & EL pulse | $t_{\text{DR-L\&EL}}$ | 306 | 360 | 414 | μs | |
| Length of DR-R & EL pulse | $t_{\text{DR-R\&EL}}$ | 616 | 720 | 828 | μs | |
| Output of EL pulse, maximum frequency | f_{ELmax} | – | 117 | – | Hz | |
| Length of stand still pulse | t_{Stop} | 1.232 | 1.44 | 1.656 | ms | See Figure 9 |
| Stand still period ¹⁾ | T_{Stop} | 590 | 737 | 848 | ms | See Figure 9 |

1) If no magnetic switching edge is detected for a period longer than T_{stop} , the stand still pulse is issued

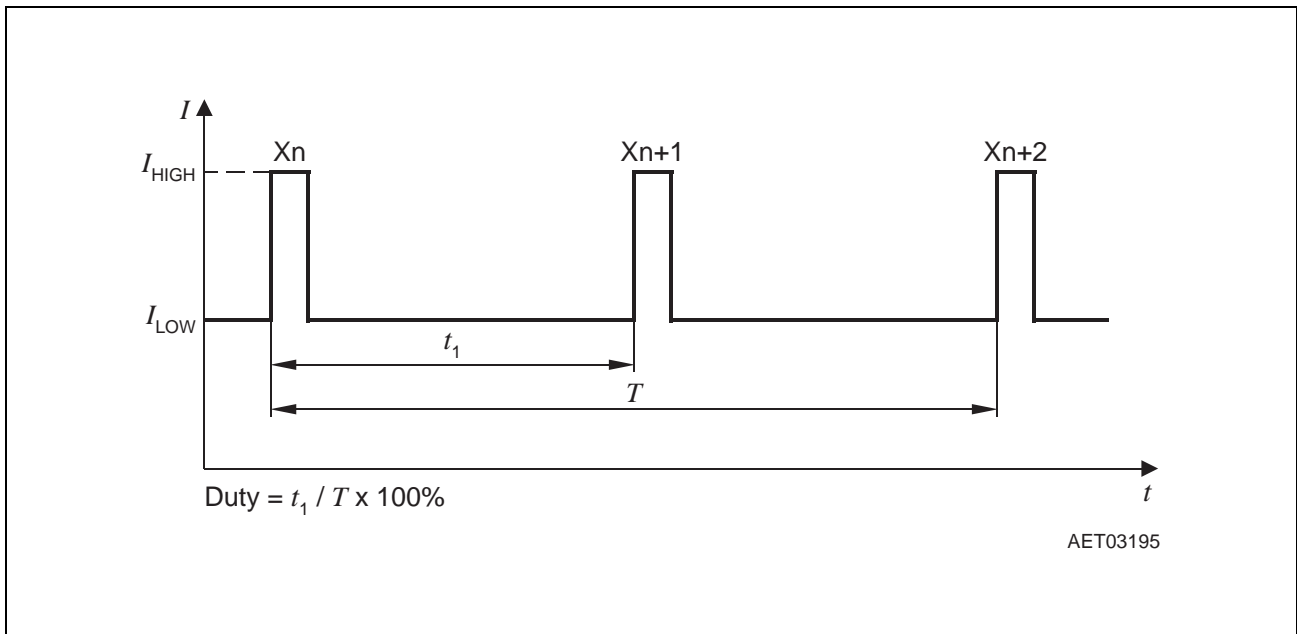


Figure 7 Definition of Duty Cycle

PWM Current Interface

Between each magnetic transition and the rising edge of the corresponding output pulse the output current is **Low** for $t_{\text{pre-low}}$ in order to allow reliable internal conveyance. Following the signal pulse (current is **High**) is output.

If the magnetic differential field exceeds ΔB_{EL} , the output pulse lengths are 90 μs or 180 μs respectively, depending on the direction of rotation.

When the magnitude of the magnetic differential field is below ΔB_{EL} , the output pulse lengths are 360 μs and 720 μs respectively, depending on left or right rotation. Due to decreasing cycle times at higher frequencies, these longer pulses are only output up to frequencies of approximately 117 Hz. For higher frequencies and differential magnetic fields below ΔB_{EL} , the output pulse lengths are 90 μs or 180 μs respectively.

If the magnitude of the magnetic differential field is below $\Delta B_{\text{Warning}}$, the output pulse length is 45 μs . The warning output is dominant, this means that close to the limit airgap the direction and the assembly position information are disabled.

For magnitudes of the magnetic differential field below ΔB_{Limit} , signal is lost.

In case no magnetic differential signal is detected for a time longer than the stand still period T_{Stop} , the stop pulse is output. Typically with the first output stop pulse, the circuitry reverts to the uncalibrated mode.

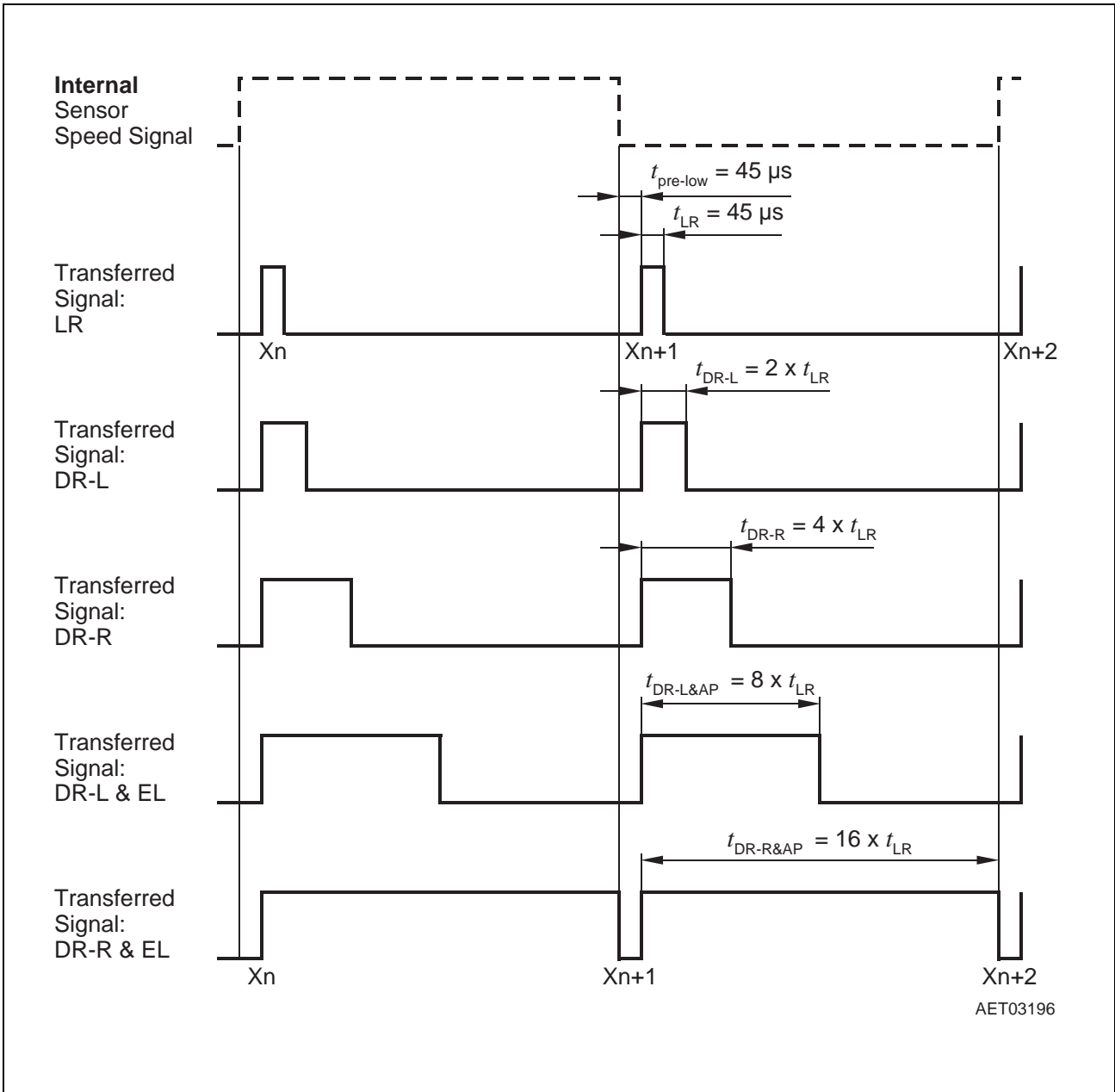


Figure 8 Definition of PWM Current Interface

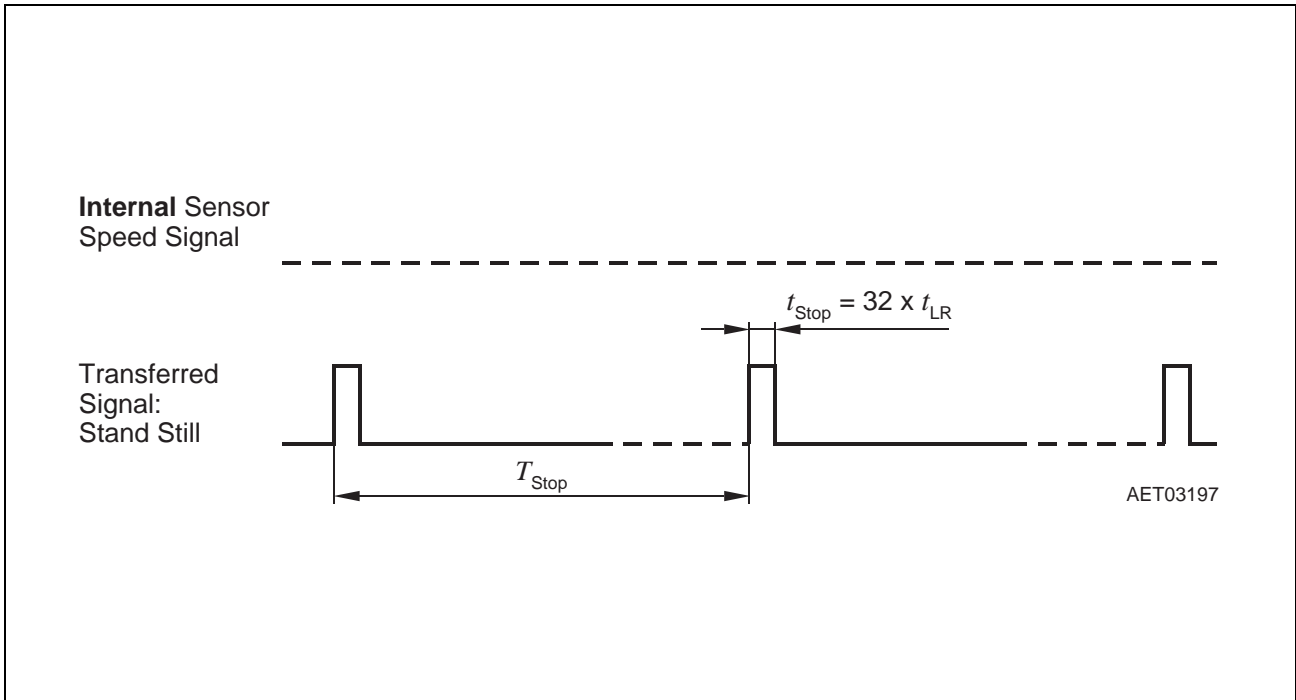


Figure 9 Definition of Stand Still Output Pulse

Duty Cycle at Fast Changing Frequencies

If the duty cycle deviates from 50%, it is possible that the present pulse length is output entirely once and cut once, within the same period, see **Figure 10**.

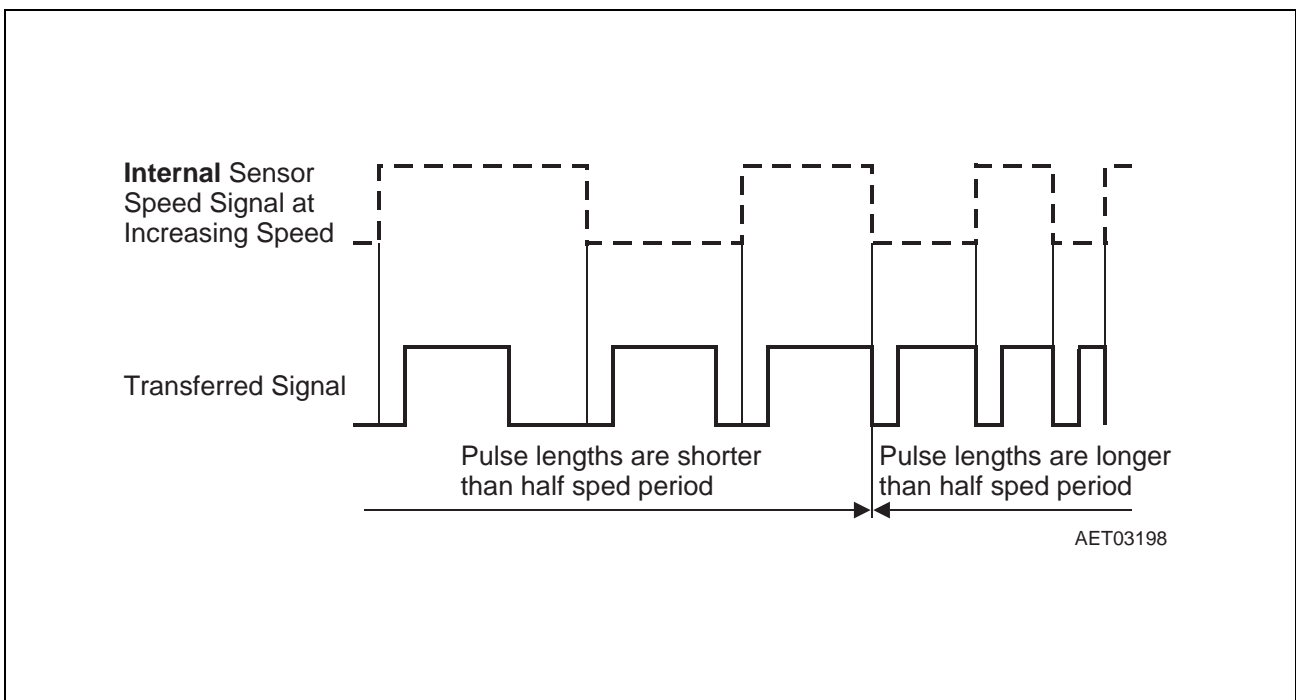


Figure 10 Deviation of Duty Cycle at Fast Changing Frequencies

Table 6 Electro Magnetic Compatibility (values depend on R_M !)

Ref. ISO 7637-1; test circuit 1;

 $\Delta B = 2$ mT (amplitude of sinus signal); $V_{CC} = 13.5$ V, $f_B = 100$ Hz; $T = 25^\circ\text{C}$; $R_M \geq 75 \Omega$

| Parameter | Symbol | Level/Typ | Status |
|--------------|-----------|---------------------------|-----------------|
| Testpulse 1 | V_{EMC} | IV / – 100 V | C ¹⁾ |
| Testpulse 2 | | IV / 100 V | C ¹⁾ |
| Testpulse 3a | | IV / – 150 V | A |
| Testpulse 3b | | IV / 100 V | A |
| Testpulse 4 | | IV / – 7 V | B ²⁾ |
| Testpulse 5 | | IV / 86.5 ³⁾ V | C |

 1) According to 7637-1 the supply switched “OFF” for $t = 200$ ms

 2) According to 7637-1 for test pulse 4 the test voltage shall be $12 \text{ V} \pm 0.2 \text{ V}$. Measured with $R_M = 75 \Omega$ only. Mainly the current consumption will decrease. Status C with test circuit 1.

3) Applying in the board net a suppressor diode with sufficient energy absorption capability

Note: Values are valid for all TLE4941/42 types!

Ref. ISO 7637-3; test circuit 1;

 $\Delta B = 2$ mT (amplitude of sinus signal); $V_{CC} = 13.5$ V, $f_B = 100$ Hz; $T = 25^\circ\text{C}$; $R_M \geq 75 \Omega$

| Parameter | Symbol | Level/Typ | Status |
|--------------|-----------|-------------|--------|
| Testpulse 1 | V_{EMC} | IV / – 30 V | A |
| Testpulse 2 | | IV / 30 V | A |
| Testpulse 3a | | IV / – 60 V | A |
| Testpulse 3b | | IV / 40 V | A |

Note: Values are valid for all TLE4941/42 types!

Ref. ISO 11452-3; test circuit 1; measured in TEM-cell

 $\Delta B = 2$ mT; $V_{CC} = 13.5$ V, $f_B = 100$ Hz; $T = 25^\circ\text{C}$

| Parameter | Symbol | Level/Typ | Remarks |
|--------------------|-----------------------|--------------|-----------------------|
| EMC field strength | $E_{\text{TEM-Cell}}$ | IV / 200 V/m | AM = 80%, $f = 1$ kHz |

Note: Only valid for non C- types!

Ref. ISO 11452-3; test circuit 1; measured in TEM-cell

 $\Delta B = 2$ mT; $V_{CC} = 13.5$ V, $f_B = 100$ Hz; $T = 25^\circ\text{C}$

| Parameter | Symbol | Level/Typ | Remarks |
|--------------------|-----------------------|--------------|-----------------------|
| EMC field strength | $E_{\text{TEM-Cell}}$ | IV / 250 V/m | AM = 80%, $f = 1$ kHz |

Note: Only valid for C-types!

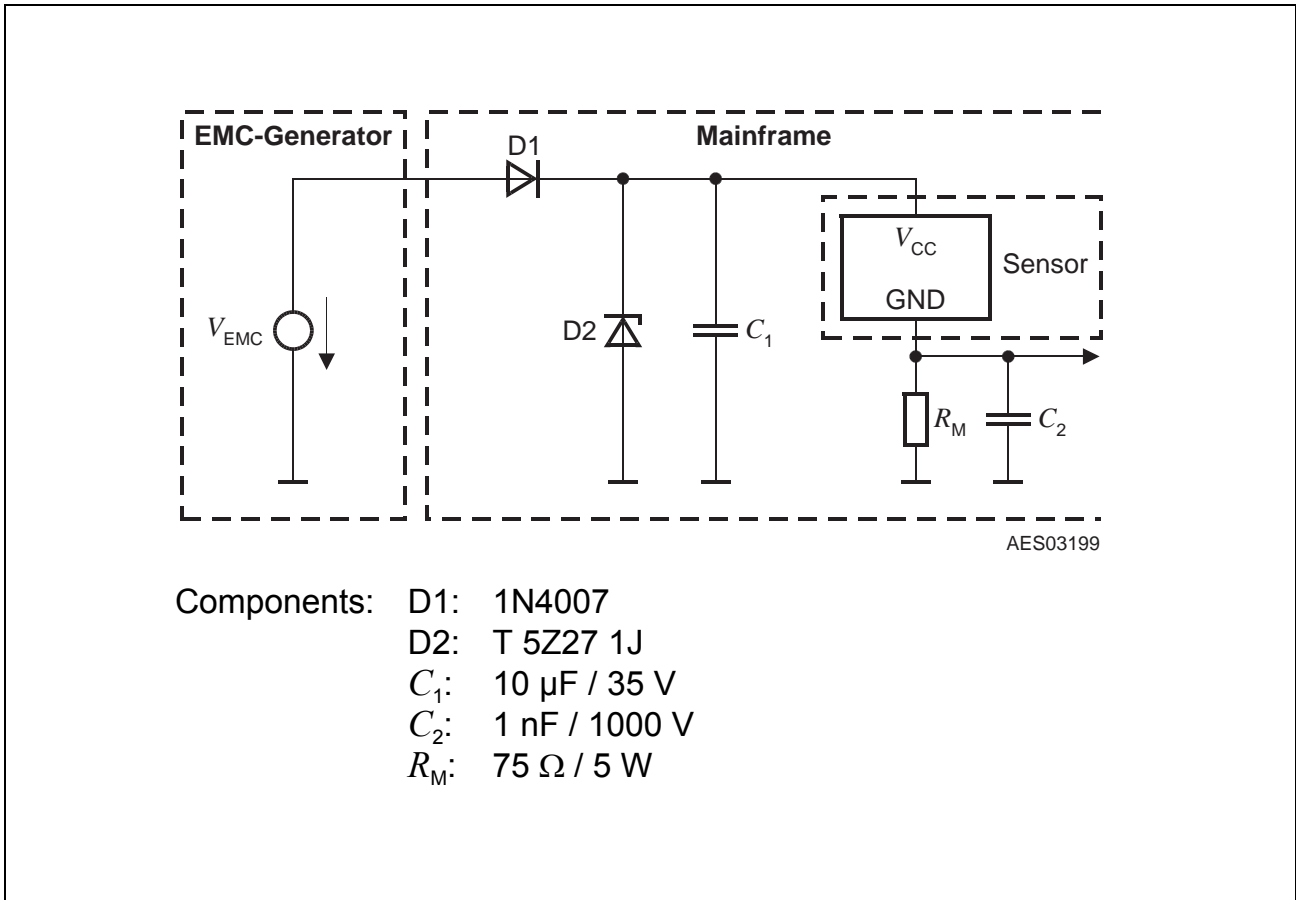


Figure 11 Test Circuit 1

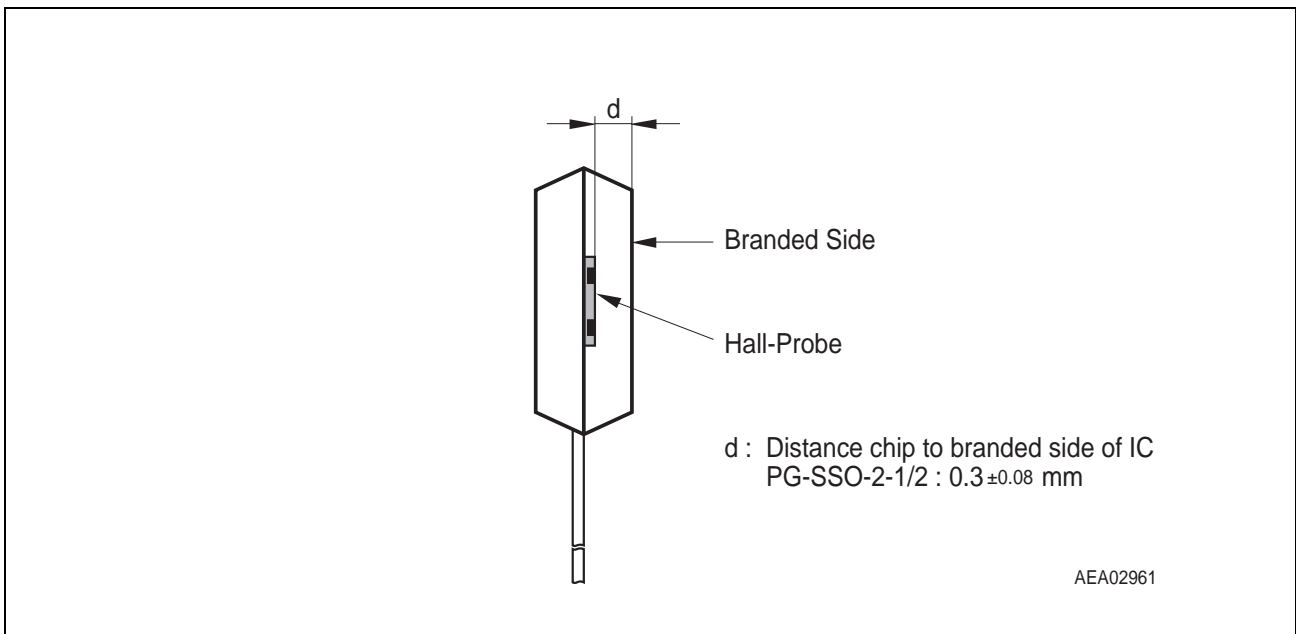


Figure 12 Distance Chip to Upper Side of IC

Package Outlines

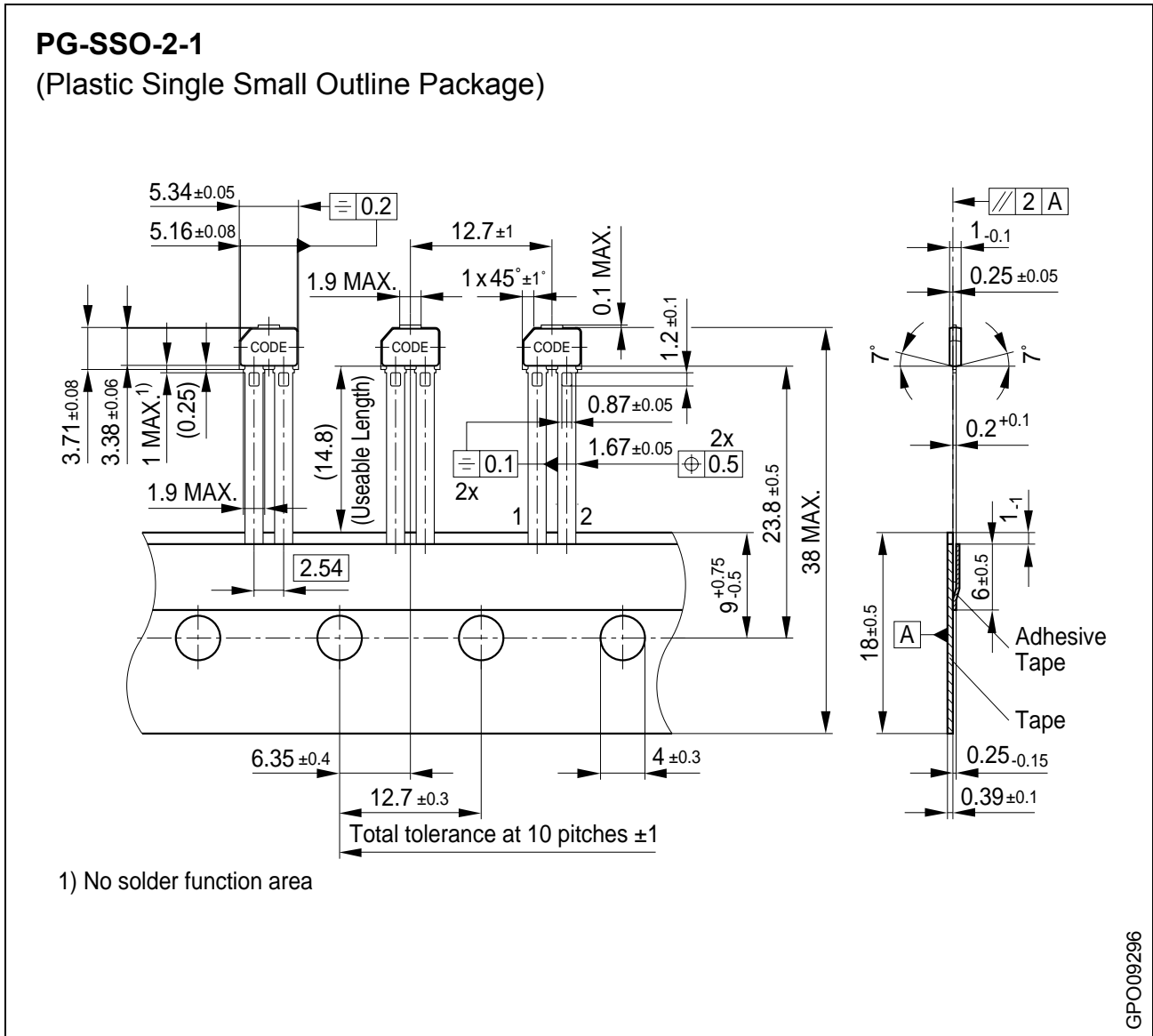


Figure 13

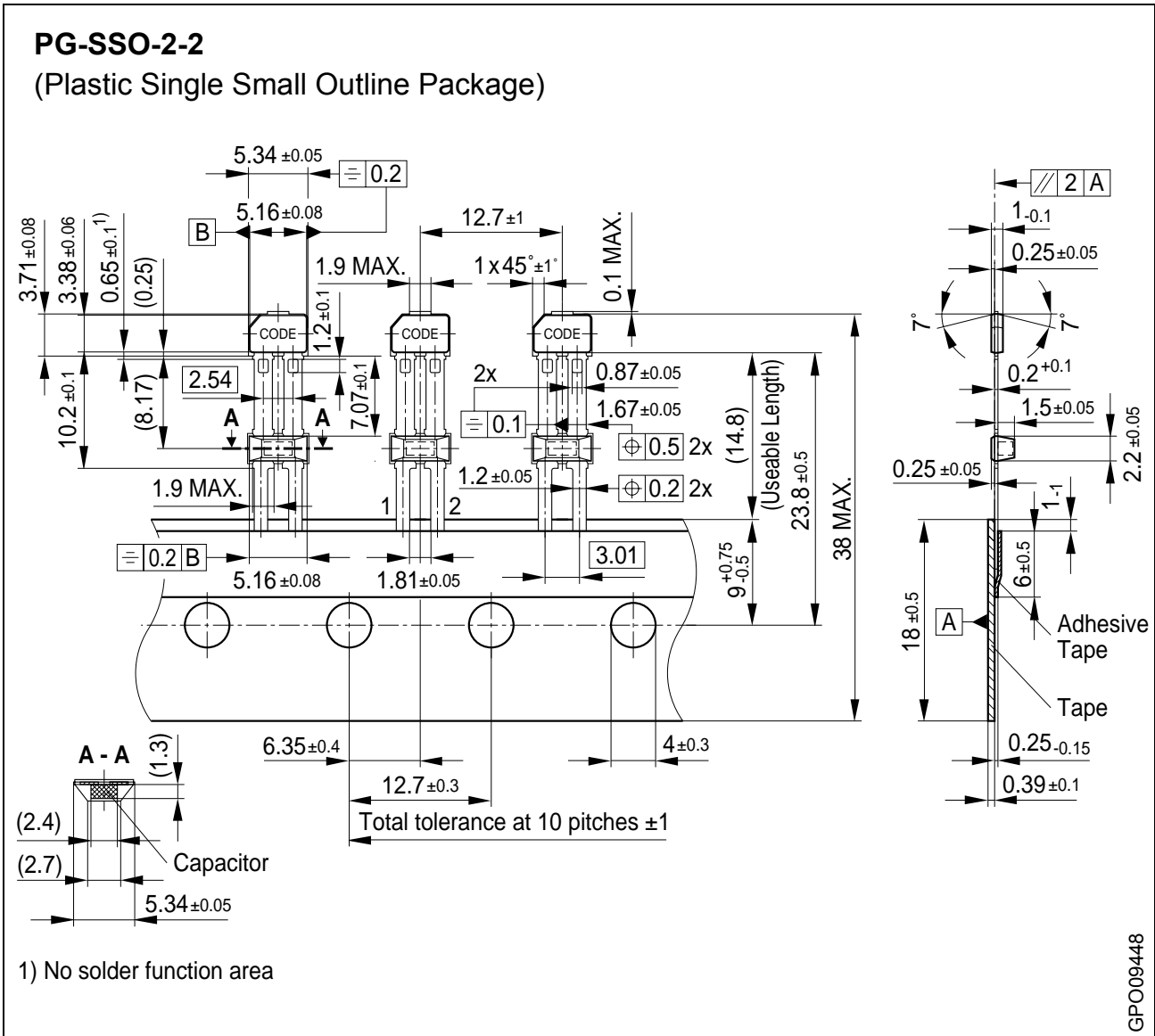


Figure 14

You can find all of our packages, sorts of packing and others in our Infineon Internet Page "Products": <http://www.infineon.com/products>.

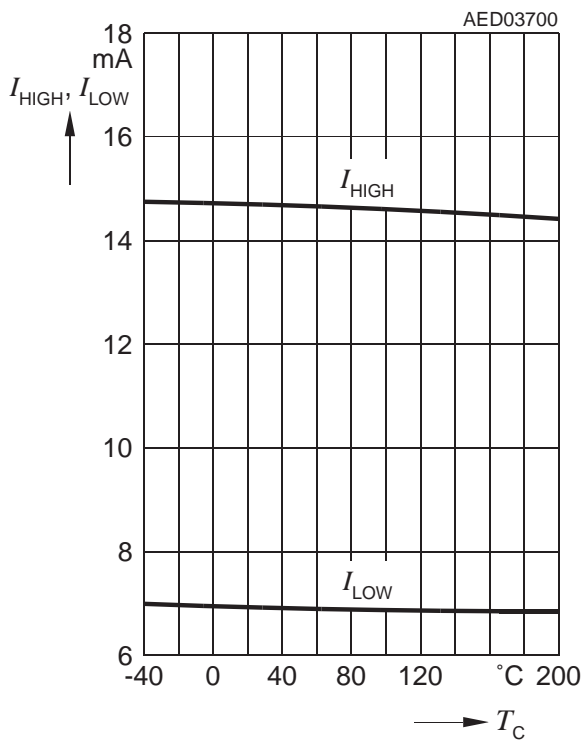
Dimensions in mm

Appendix A

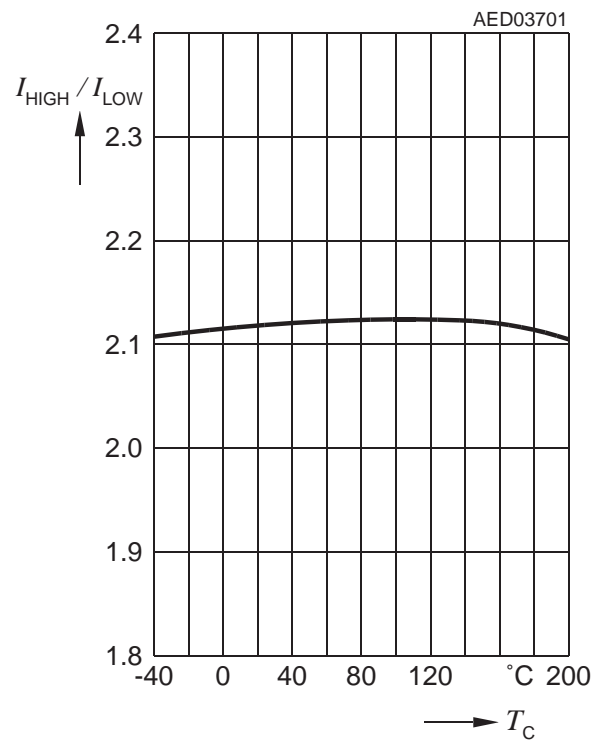
Typical Diagrams (measured performance)

$$T_C = T_{\text{case, IC}} = \text{approx. } T_j - 5^\circ\text{C}$$

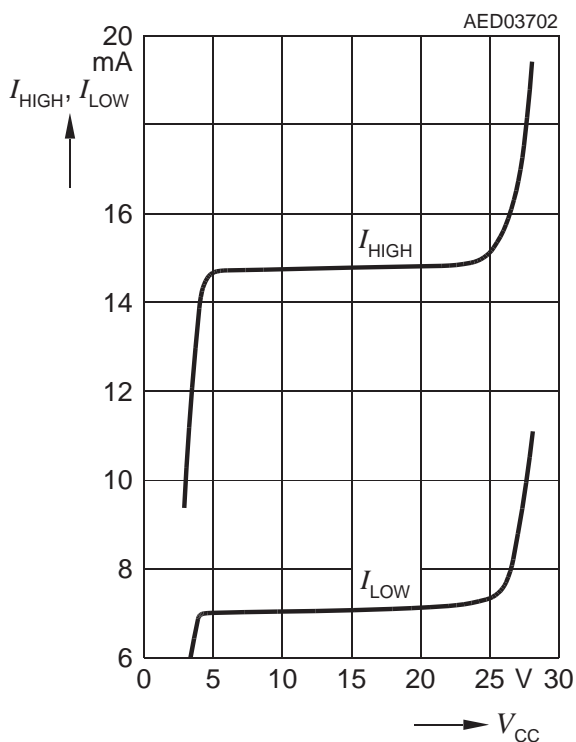
Supply Current



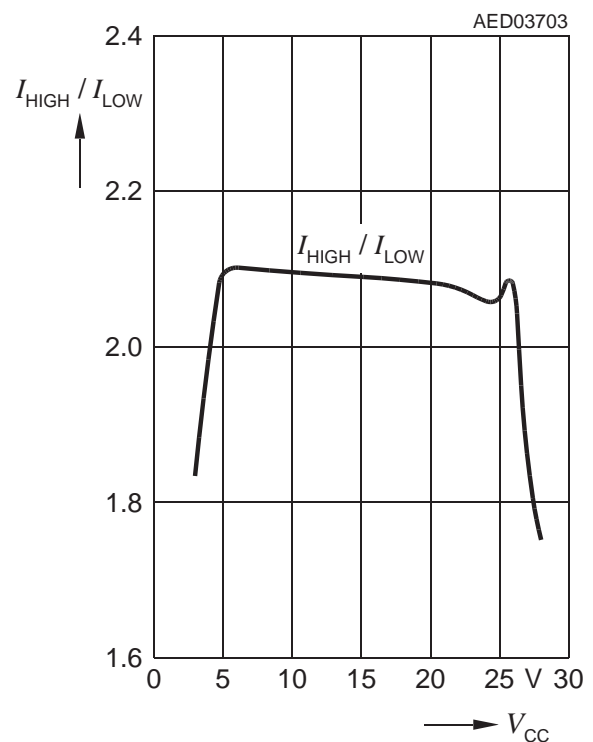
Supply Current Ratio $I_{\text{HIGH}} / I_{\text{LOW}}$



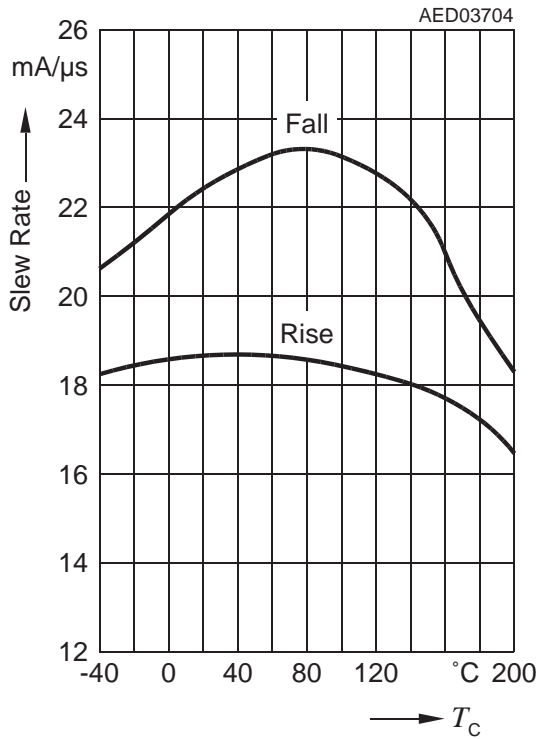
Supply Current = $f(V_{\text{CC}})$



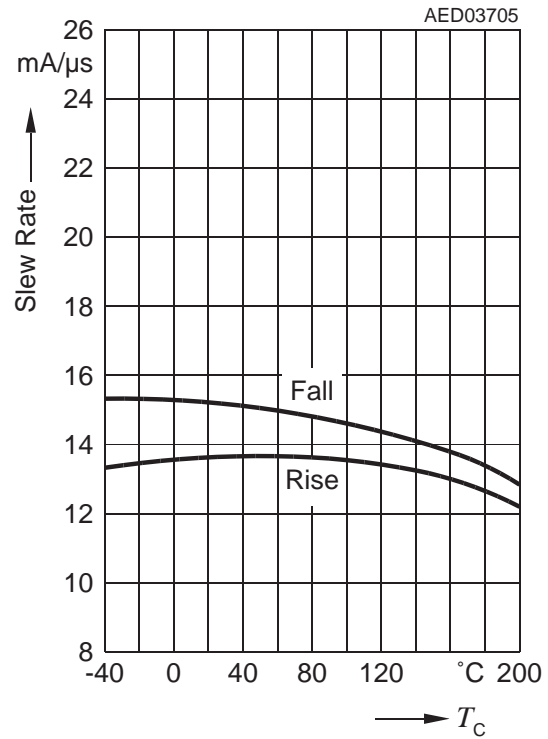
Supply Current Ratio $I_{\text{HIGH}} / I_{\text{LOW}} = f(V_{\text{CC}})$



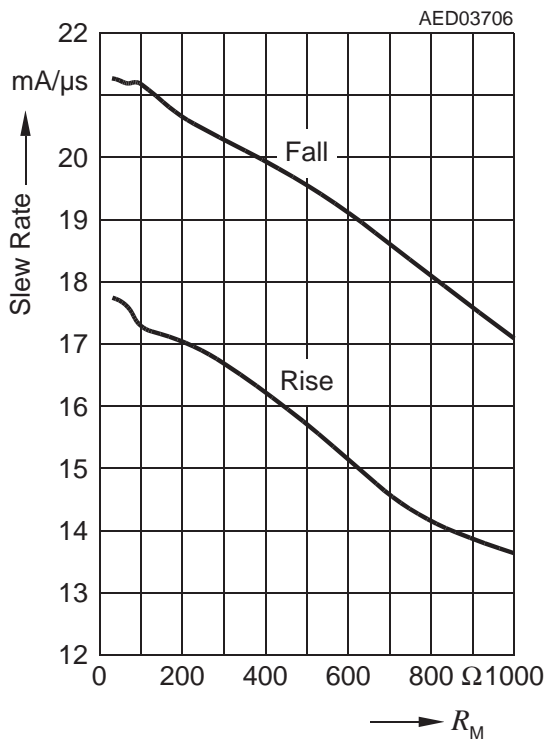
Slew Rate without C , $R_M = 75 \Omega$



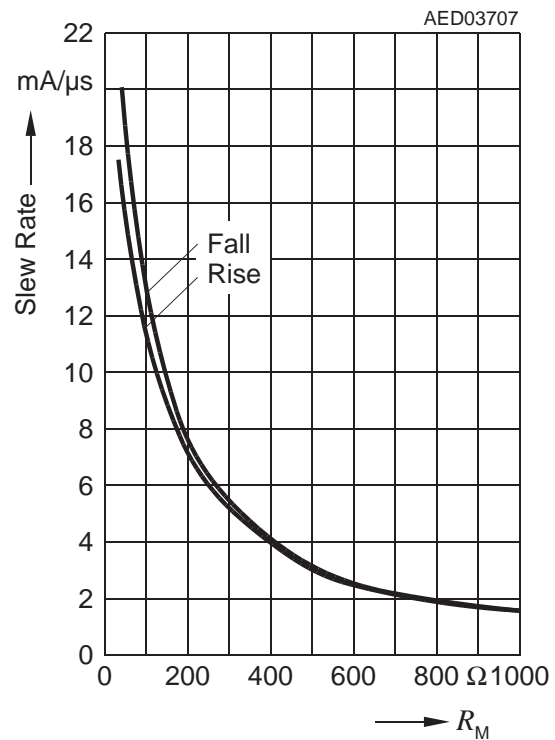
Slew Rate with $C = 1.8 \text{ nF}$, $R_M = 75 \Omega$



Slew Rate without $C = f(R_M)$

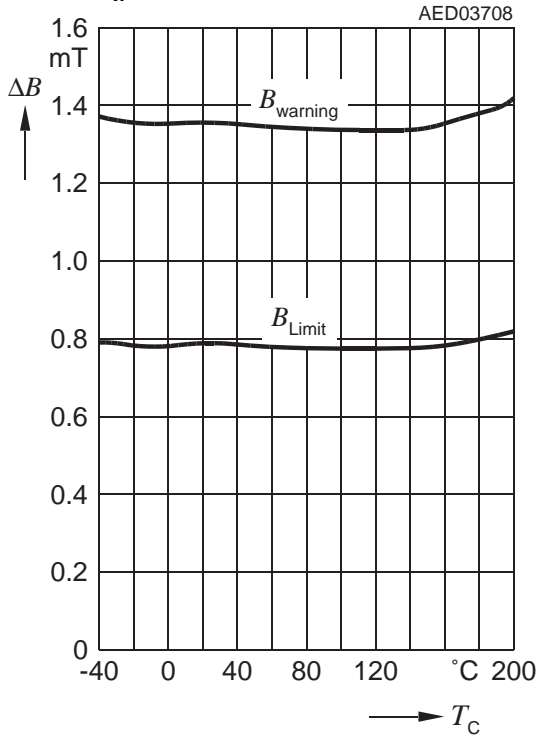


Slew Rate with $C = 1.8 \text{ nF} = f(R_M)$



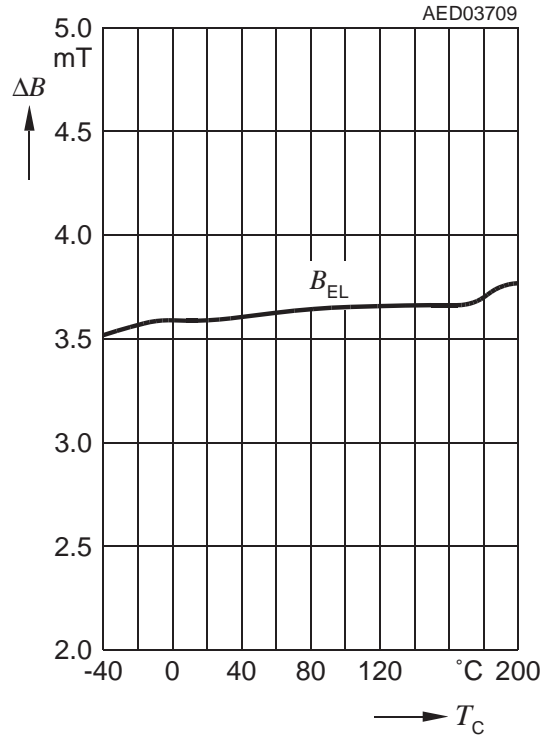
Magnetic Threshold

$\Delta B_{\text{warning}}, \Delta B_{\text{Limit}}$ at $f = 1 \text{ kHz}$



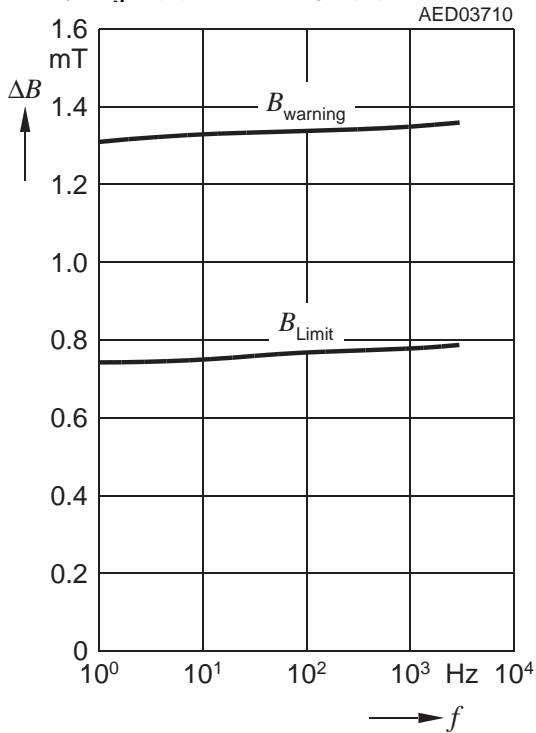
Magnetic Threshold

$\Delta B_{\text{EL}} 01$



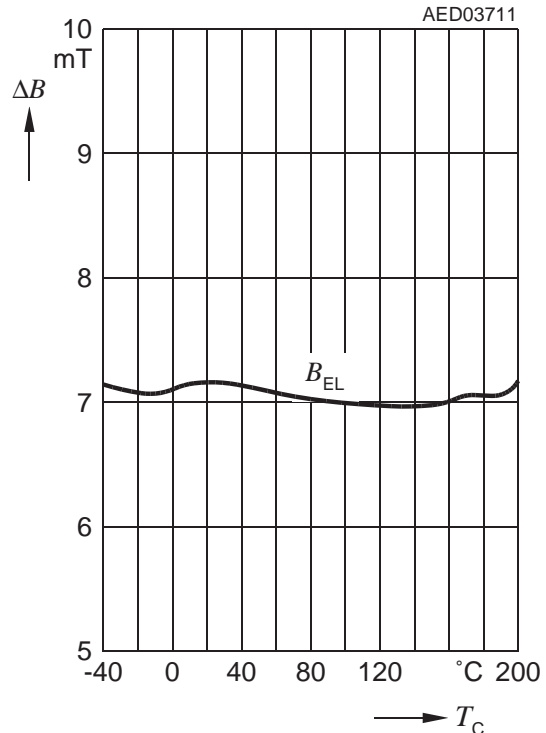
Magnetic Threshold

$\Delta B_{\text{warning}} = f(f), \Delta B_{\text{Limit}} = f(f)$

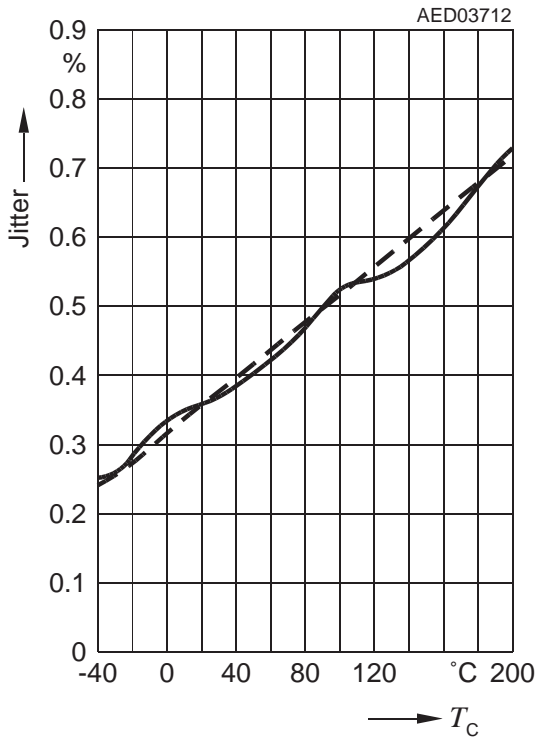


Magnetic Threshold

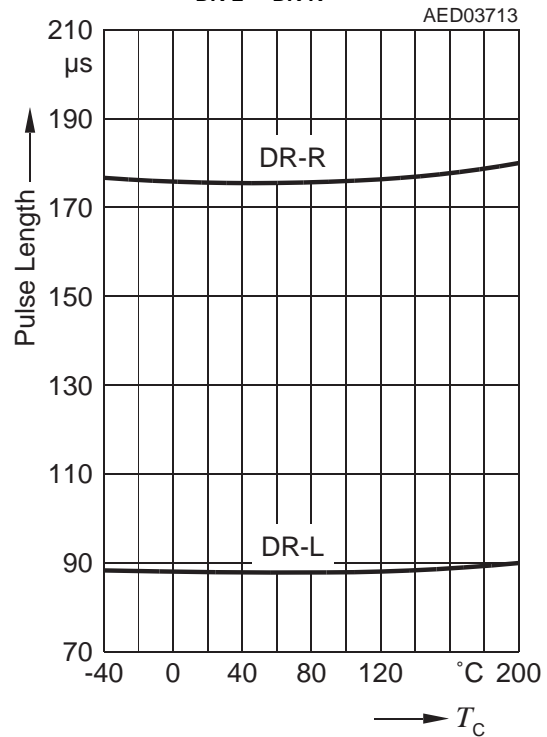
$\Delta B_{\text{EL}} 04$



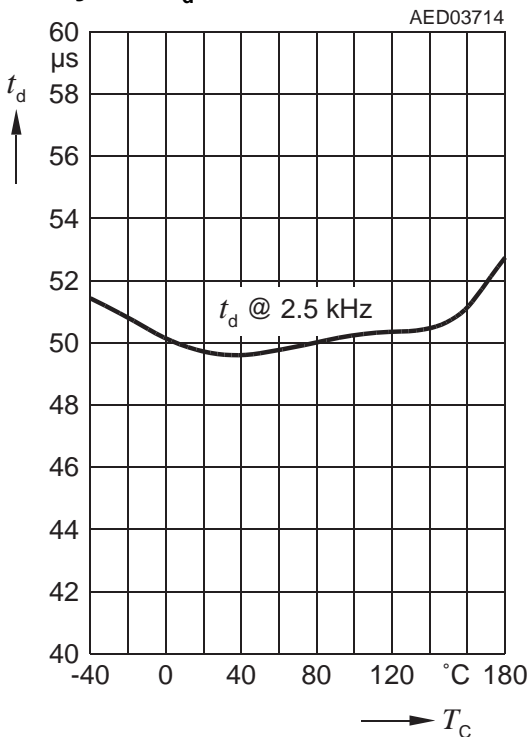
Jitter 1 at $B = 2$ mT, 1 kHz



Pulse Length of Direction Signal Left and Right (t_{DR-L} , t_{DR-R})²⁾



Delaytime t_d ¹⁾



2) Temp. Behaviour of Other Pulse Lengths are similar

1) t_d is the time between the zero crossing of $\Delta B = 2$ mT sinusoidal input signal and the rising edge (50%) of the signal current.

Appendix B

Release 2.0

Occurrence of initial calibration delay time $t_{d, input}$

If there is no input signal (standstill), a new initial calibration is triggered each 0.7 s. This calibration has a duration $t_{d, input}$ of max. 300 μ s. No input signal change is detected during that initial calibration time.

In normal operation (signal startup) the probability of $t_{d, input}$ to come into effect is:

$$t_{d, input} / \text{time frame for new calibration} = 300 \mu\text{s} / 700 \text{ms} = 0.05\%.$$

After IC resets (e.g. after a significant undervoltage) $t_{d, input}$ will always come into effect.

Magnetic input signal extremely close to a PGA switching threshold during signal startup

After signal startup normally all PGA switching into the appropriate gain state happens within less than one signal period. This is included in the calculation for $n_{DZ-Startup}$. For the very rare case that the signal amplitude is extremely close to a PGA switching threshold and the full range of the following speed ADC respectively, a slight change of the signal amplitude can cause one further PGA switching. It can be caused by non-perfect magnetic signal (amplitude modulation due to tolerances of polewheel, tooth wheel or air gap variation). This additional PGA switching can result in a further delay of the calibrated output signal up to two magnetic edges leading to a worst case edges of

$$n_{DZ-Start up rare} = 8.$$

For a more detailed explanation please refer to the document "TLE4941/42 Application Notes - Frequently Asked Questions".

Fast change of direction signal at small fields:

The described behaviour can happen when rotation direction is changed in $t < 0.7$ s

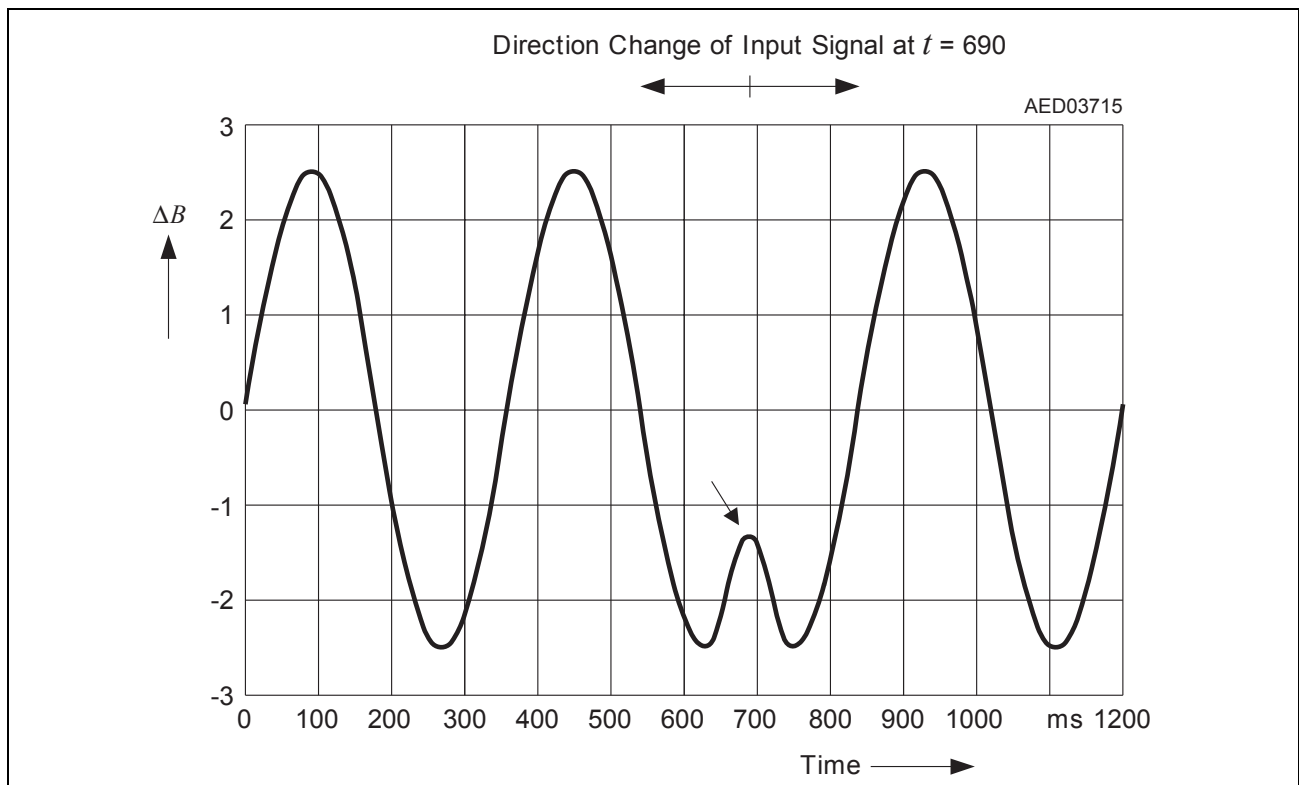


Figure 1

A local extremum (maximum or minimum) of the magnetic input signal can be caused during a reversal of rotation direction. In this case the local extremum can be detected by the IC and used for offset calibration. (E.g. the local maximum marked by an arrow in the above diagram.) Obviously the calculated offset value will be incorrect with respect to the following signal. As worst case a duty cycle up to max. 15% to 85% could occur for a few pulses. B_{warning} and B_{EL} information can be incorrect during that short period. After a re-calibration, which typically takes place after 2...3 zero-crossings the offset will be correct again and hence the duty cycle, B_{warning} and B_{EL} also.

As a result of "bad" duty cycle after fast direction reversal the sampling points for direction detection are at unusual signal phase angles also. At small magnetic input signals ($\Delta B < 1.7 \times \Delta B_{\text{warning}}$) this can lead to incorrect direction information. Duration: max. 7 pulses, in very rare cases (additional PGA transition during calibration similar to 2.) max. 9 pulses.

A local extremum close to the zero-crossing theoretically could lead to distances down to $45 \mu\text{s}$ of two consecutive output pulses at the point of direction reversal as well as a B_{warning} pulse also.

Behaviour close to the magnetic thresholds B_{warning} , B_{Limit} , (B_{EL})

Real non-perfect magnetic signals and intrinsic thermal noise cause amplitude variations. Very close to the magnetic thresholds a mix of output pulse widths representing the referring magnetic values occur. For similar reasons pulse widths of 90, 180, 360, 720 μs can be observed occasionally for single pulses at B_{Limit} .

Behaviour close to speed v_5 ($f_{\text{EL-bit}} = \text{ca. } 117 \text{ Hz}$)

Signal imperfections like duty cycle and jitter result in a mix of output pulses with and without assembly bit (EL) information. Input signal duty cycles apart from 50% increase the range where both pulse widths appear.

Dependency of direction detection on input signal pitch

The direction detection is optimized for a target wheel pitch of 5 mm where it will work down to B_{warning} . (B_{warning} and direction detection thresholds meet at 5 mm pitch). For pitches other than 5 mm the magnetic input signal has to be increased to compensate for the inevitable signal attenuation.

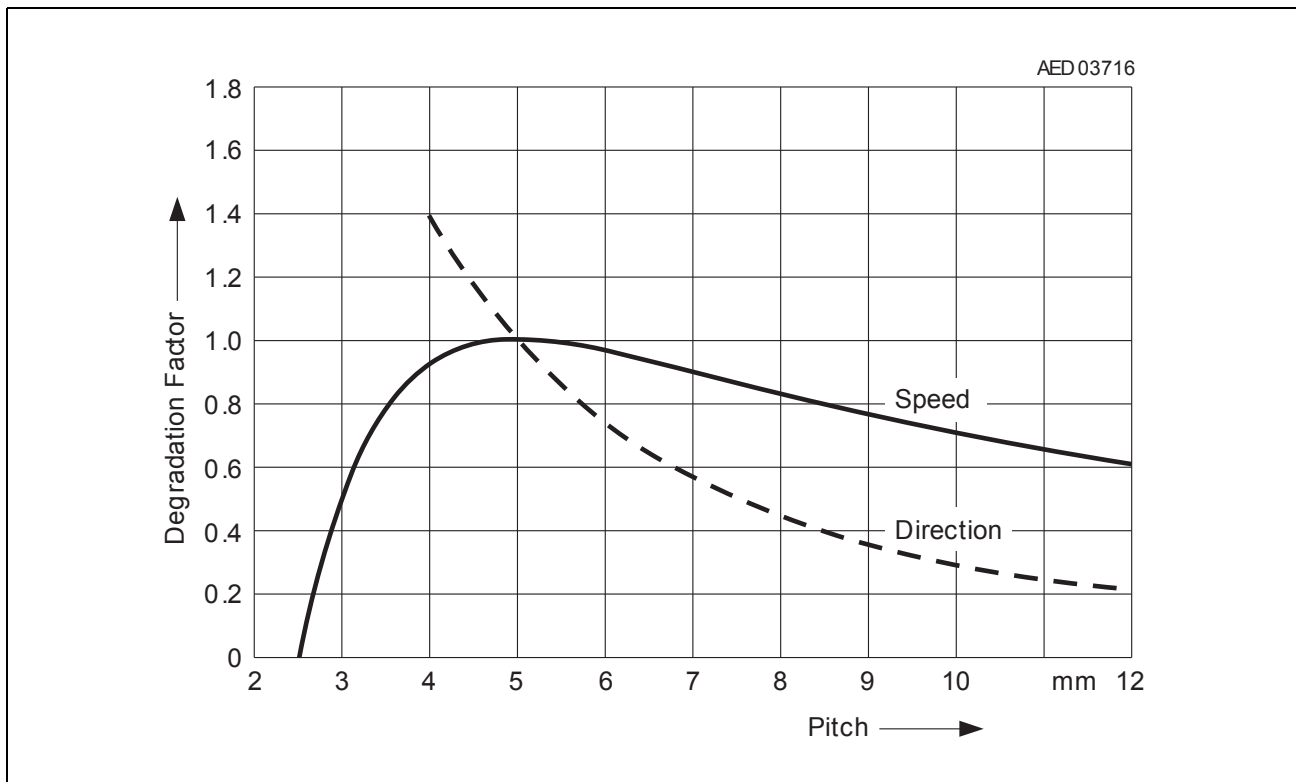


Figure 2 Degradation of speed and direction signal at sinusoidal input signals = $f_{(\text{pitch})}$

Revision History:2005-02, V3.1

Previous Version: 2004-06, V3.0

| Page | Subjects (major changes since last revision) |
|---------|--|
| 3,22,23 | Package name changed from P-... to PG-... |
| 22,23 | Figure 13,14: Package Outline PG-SSO-2-1 - Tape thickness changed from 0.5±0.1mm to 0.39±0.1 mm - Package mold dimension changed from 5.38±0.05 mm to 5.34±0.05 mm (Note: Only the dimensions in the drawing changed, but not the package dimensions) |
| 24-27 | Appendix A inserted |
| 28-30 | Appendix B inserted |
| - | new format of data sheet |
| 12 | change $\Delta B_{warning}$ from 1.4 mT to 1.6 mT change $\Delta B_{warning}/\Delta B_{limit}$ from 1.75 mT to 2 mT |

For questions on technology, delivery and prices please contact the Infineon Technologies offices in Germany or the Infineon Technologies Companies and Representatives worldwide: see our webpage at <http://www.infineon.com>

We Listen to Your Comments

Any information within this document that you feel is wrong, unclear or missing at all? Your feedback will help us to continuously improve the quality of this document.

Please send your proposal (including a reference to this document) to:

feedback.sensors@infineon.com



www.infineon.com

Published by Infineon Technologies AG

单击下面可查看定价，库存，交付和生命周期等信息

[>>Infineon\(英飞凌\)](#)