



## XC2200L - Series

### 16/32 bit $\mu$ C for Automotive Body Applications

The XC2200L series, with the XC223xL (LQFP-64) and XC222xL (VQFN-48) derivatives, further enlarges the XC2200 microcontroller family in the low-end.

With a maximum memory size of 160kB Flash and up to 12kB RAM, the microcontrollers of this series are well suited for low-end cost-sensitive body applications.

#### Targeted Automotive Body Applications

- Low-end BCM
- Low-end HVAC
- Low-end Door
- Roof module
- Seat module

#### Highlights:

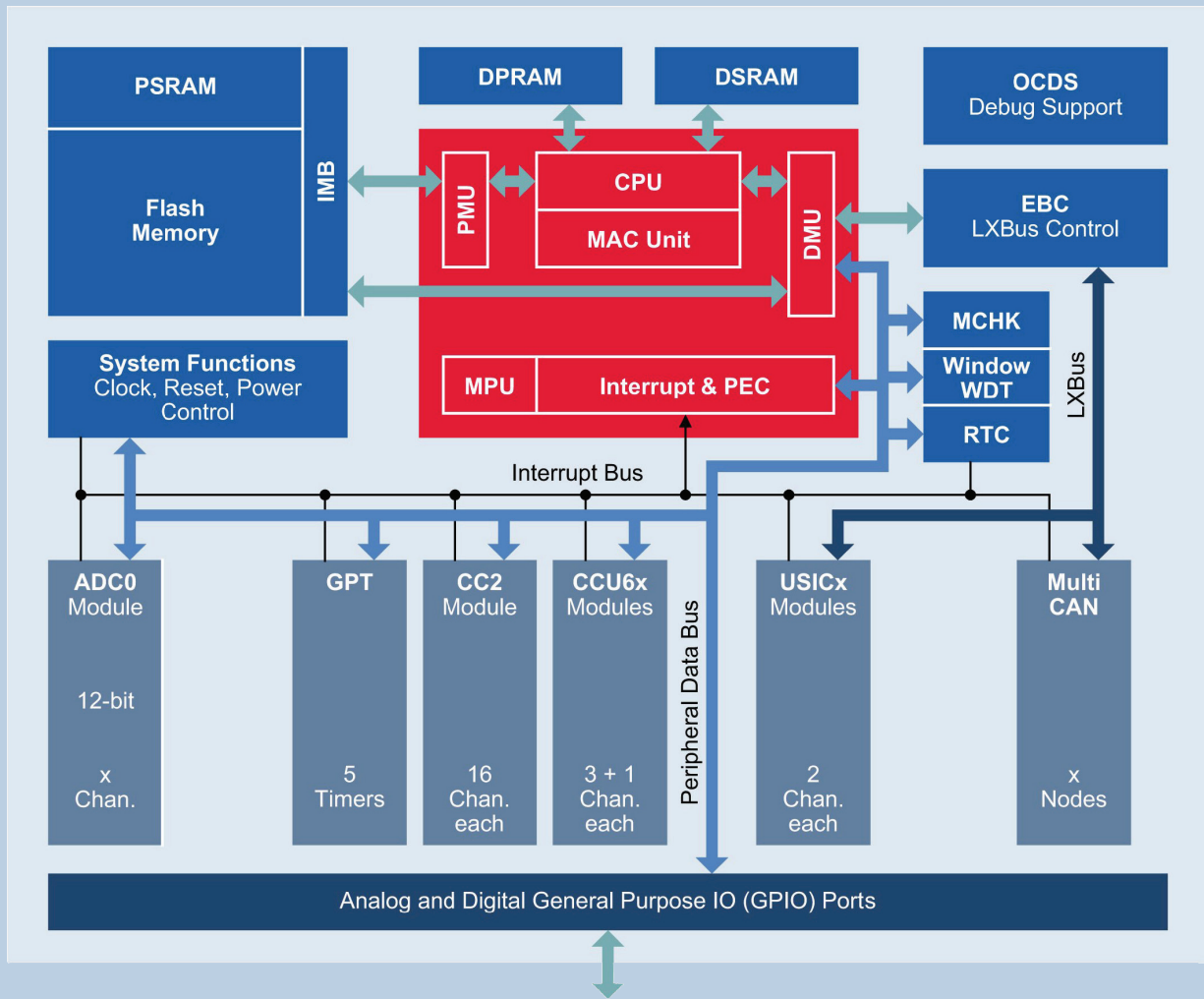
- High performance 16-/32-bit C166SV2 CPU with 5-stage pipeline
- Up to 60 MIPS peak performance @ 66MHz CPU clock
- 64kB to 160kB Flash with EEPROM emulation
- Single voltage supply (core supply over embedded voltage regulator)
- On-chip window watchdog
- High speed 12-bit ADC with upto 19 channels
- Small packages for space critical application/saving of PCB space
- Low power consumption
- DAP - Device Access Port (2 wire JTAG, replaces 5 wire JTAG)

#### Features:

- High-performance CPU with five-stage pipeline and MPU
- 16 priority levels providing 96 interrupt nodes
- 64 to 160kB Flash (incl. up to 32kB data Flash for EEPROM emulation), up to 12kB SRAM
- Memory content protection through Error Correction Code (ECC)
- 12bit AD-converter with upto 19-channels, optional data preprocessing (data reduction, range check), open wire detection, conversion time  $\sim 0.675\mu\text{s}$
- One 16-channel general purpose capture/compare units (CCU2)
- Up to two capture/compare units (CCU6) for flexible PWM signal generation for any kind of motor control
- Multi-functional general purpose timer unit with 5 timers
- 4 serial flexible interface channels (UART, LIN, SPI, I2C, I2S)
- On-chip CAN interface (Rev. 2.0B active), upto 2 nodes with 32 message objects
- On-chip system timer and on-chip real time clock
- Programmable watchdog timer and oscillator watchdog
- On-chip window watch dog with clock source separate from fsys
- Up to 49 general purpose I/O lines with flexible pin assignment
- On-chip bootstrap loader
- On-chip debug support via Device Access Port (DAP) or JTAG interface
- Single voltage supply of 3.3 to 5V64-pin green LQFP, 48 pin green VQFN package for space critical applications
- Temperature range:  $-40$  to  $+125^\circ\text{C}$
- Supported by a large range of development tools
- Free of charge low level driver CAN, LIN, UART(USIC)

# XC2200L - Series

## 16/32 bit $\mu$ C for Automotive Body Applications



Type	Frequency [MHz]	eFlash [kByte]	RAM [kByte]	USIC Channels*	CAN nodes	CCU** modules	ADC channels	Package
SAK-XC2224L-12F66V AA	66	96	12	4	2	3	10	PG-VQFN-48
SAK-XC2224L-20F66V AA	66	160	12	4	2	3	10	PG-VQFN-48
SAK-XC2230L-12F66L AA	66	96	12	4	0	3	19	PG-LQFP-64
SAK-XC2230L-20F66L AA	66	160	12	4	0	3	19	PG-LQFP-64
SAK-XC2234L-12F66L AA	66	96	12	4	2	3	19	PG-LQFP-64
SAK-XC2234L-20F66L AA	66	160	12	4	2	3	19	PG-LQFP-64

Published by  
Infineon Technologies AG  
85579 Neubiberg, Germany

© 2011 Infineon Technologies AG.  
All Rights Reserved.

Visit us:  
[www.infineon.com](http://www.infineon.com)

Order Number: B158-H9606-X-X-7600  
Date: 02 / 2011

#### ATTENTION PLEASE!

The information given in this document shall in no event be regarded as a guarantee of conditions or characteristics ("Beschaffensgarantie"). With respect to any examples or hints given herein, any typical values stated herein and/or any information regarding the application of the device, Infineon Technologies hereby disclaims any and all warranties and liabilities of any kind, including without limitation warranties of non-infringement of intellectual property rights of any third party.

#### INFORMATION

For further information on technology, delivery terms and conditions and prices please contact your nearest Infineon Technologies Office ([www.infineon.com](http://www.infineon.com)).

#### WARNINGS

Due to technical requirements components may contain dangerous substances. For information on the types in question please contact your nearest Infineon Technologies Office. Infineon Technologies Components may only be used in life-support devices or systems with the express written approval of Infineon Technologies, if a failure of such components can reasonably be expected to cause the failure of that life-support device or system, or to affect the safety or effectiveness of that device or system. Life support devices or systems are intended to be implanted in the human body, or to support and/or maintain and sustain and/or protect human life. If they fail, it is reasonable to assume that the health of the user or other persons may be endangered.

单击下面可查看定价，库存，交付和生命周期等信息

[>>Infineon\(英飞凌\)](#)