



Never stop thinking

[Home](#) > [Design:Link](#) > Issue 1/2008 > Power > **New Trilith IC and NovalithIC™ product families**

Trilith IC and NovalithIC™ product families go green



In 2008, Infineon will be rolling out its green and robust solutions for the motor control product families Trilith IC (multi-purpose configurable full-bridge drivers) and NovalithIC™ (multi-purpose half-bridge drivers). The switch to green will be accompanied by new names for these product families:

- BTM Trilith IC motor driver, RoHS-compliant
- BTN NovalithIC™ half-bridge motor driver, RoHS-compliant

The new green design offers improved product performance and better reliability by following the automotive power robust package approach, supporting our zero-defect target.

Key features

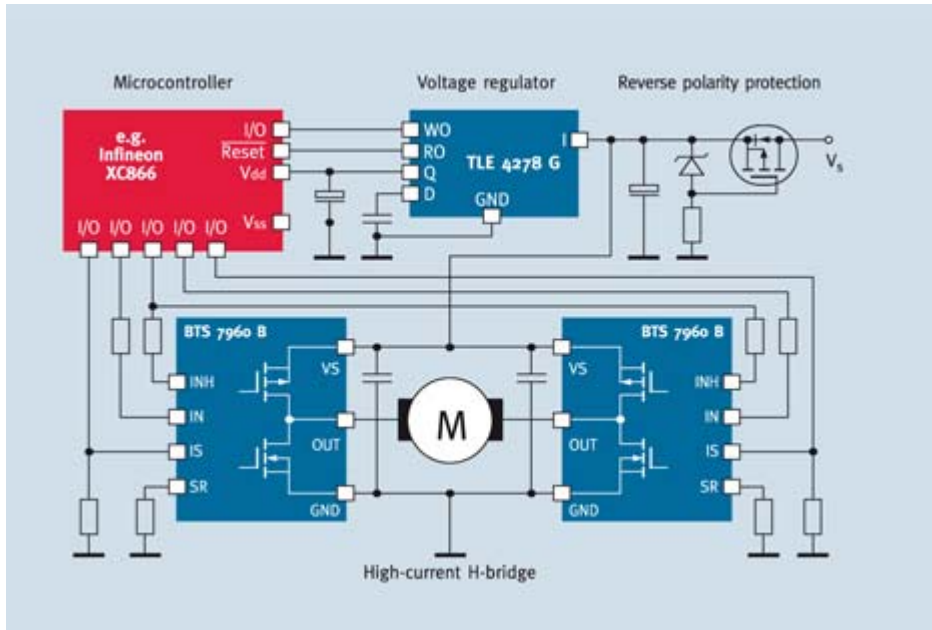
- Integration of power stage, driver and protection in small package
- Integrated protection against overtemperature, overcurrent, over- and undervoltage
- Status flag diagnostics with analog current sense (NovalithIC™)
- Pulse-width modulation (PWM) capability up to 25 kHz (NovalithIC™) combined with active freewheeling
- Low quiescent current, down to 7 μ A

Applications

- Motor drive applications with 1 A DC up to 70 A peak
- Automotive: door locks, gear boxes, belt pretensioners
- Industrial: sliding doors, robotics, heating, ventilation and airconditioning (HVAC) systems
- Consumer: battery-driven tools and toys, household goods such as coffee machines

Downloaded From [Oneyac.com](#)

Application examples include automotive wipers and power windows, batterypowered tools and wheelchairs for industrial applications



Order number

| | |
|-----------|-------------|
| BTM7700G | SP000306876 |
| BTM7710G | SP000306878 |
| BTM7710GP | SP000303743 |
| BTM7740G | SP000306879 |
| BTM7741G | SP000306880 |
| BTM7750G | SP000306881 |
| BTM7750GP | SP000303751 |
| BTM7751G | SP000306882 |
| BTM7752G | SP000267008 |
| BTM7755G | SP000267009 |
| BTM7810K | SP000311145 |
| BTM7811K | SP000303752 |
| BTM781GP | SP000311146 |
| BTN7930B | SP000299767 |
| BTN7930P | SP000314911 |
| BTN7930S | SP000355958 |
| BTN7960B | SP000299768 |
| BTN7960P | SP000317942 |
| BTN7960S | SP000355960 |
| BTN7970B | SP000299769 |
| BTN7970P | SP000355967 |
| BTN7970S | SP000355961 |
| BTN7971B | SP000379686 |

Ask Infineon!

International Toll Free:

0(0)800 951 951 951

Direct Access:

+49 89 234 65555

Infineon is happy to help you:

- [Infineon Service Center](#)

Where to buy

Please use our location finder to get in contact with your nearest Infineon distributor or sales office

- [Find a location](#)

Related Links

- [Integrated High current Motor Drivers](#)

© 1999 - 2009 [Infineon Technologies AG](#) - Usage of this website is subject to our [Usage Terms](#) - [Imprint](#) - [Contact](#) - [Privacy Policy](#)

单击下面可查看定价，库存，交付和生命周期等信息

[>>Infineon\(英飞凌\)](#)