

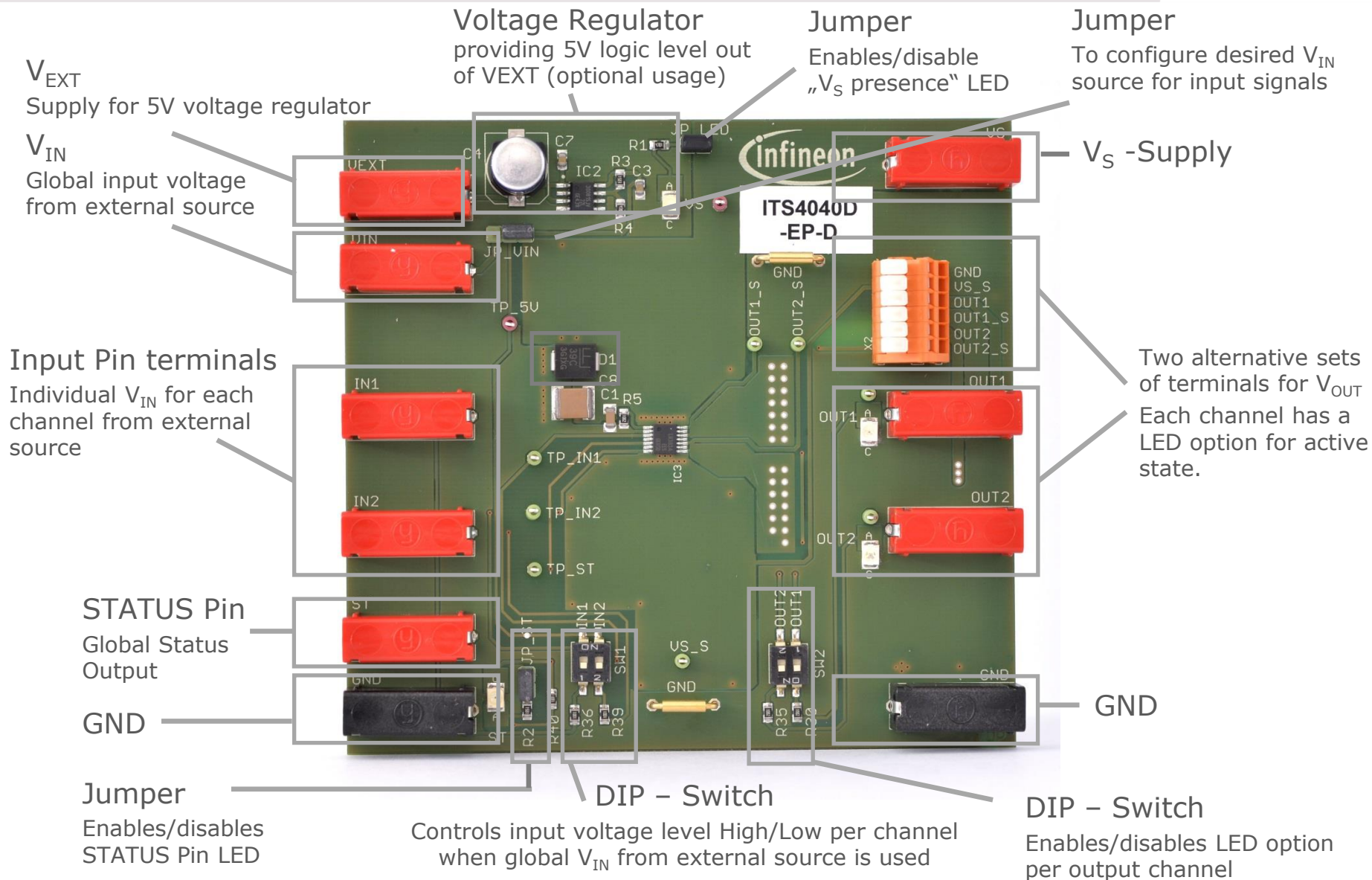
ITS4040D Evaluation Board

Rev. 1.0

Schematics & Layout



Board Overview



Schematics

Voltage Regulator to generate 5V-logic levels for inputs

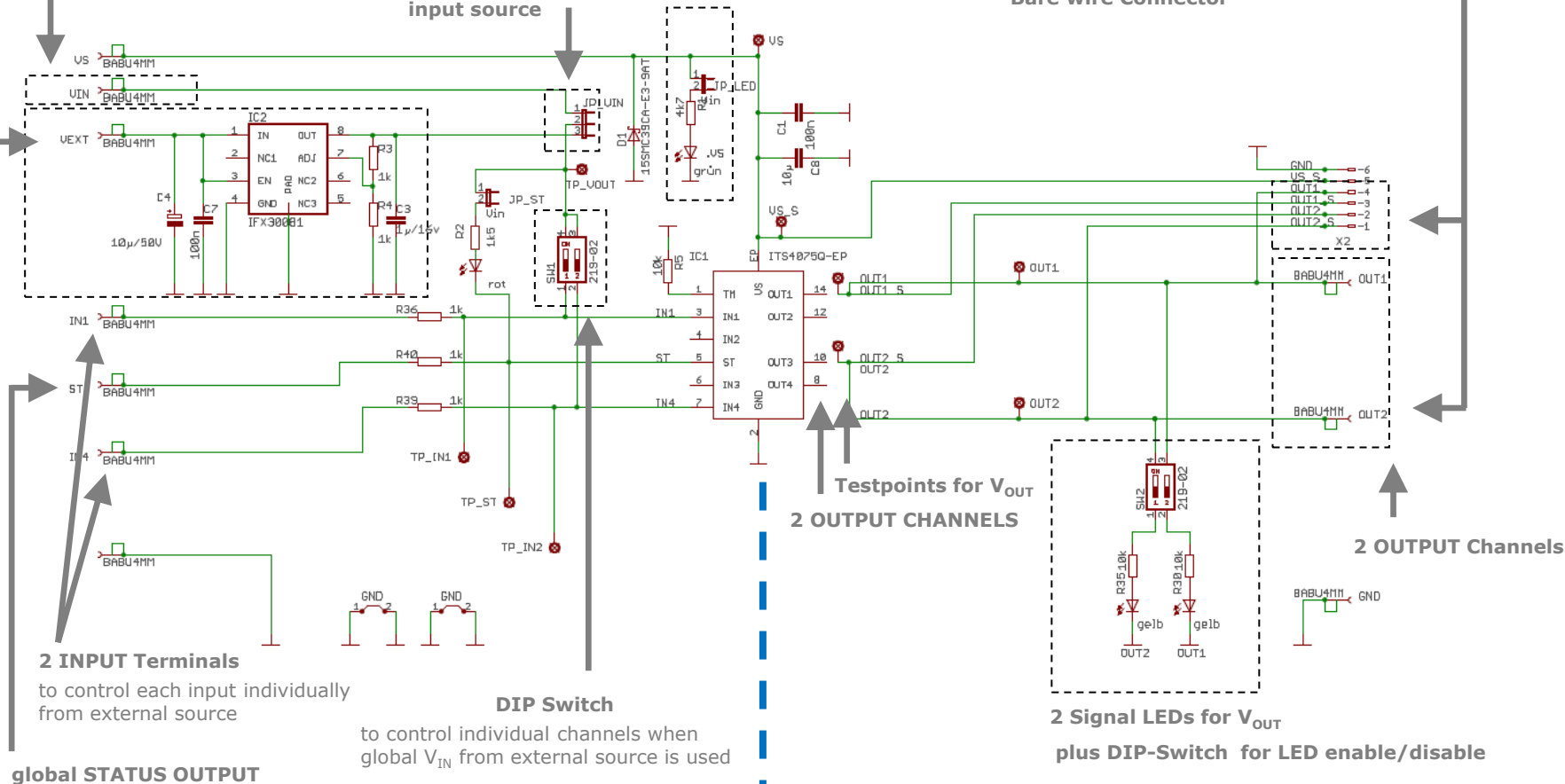
V_{IN} Terminal: for providing external levels globally to all input pins

„Power-Up“ LED
Indicates whether V_S is applied
Plus jumper to dsable LED

Jumper to select input source

Two alternative sets of terminals for V_{OUT} :

- Banana Plugs
- Bare wire Connector



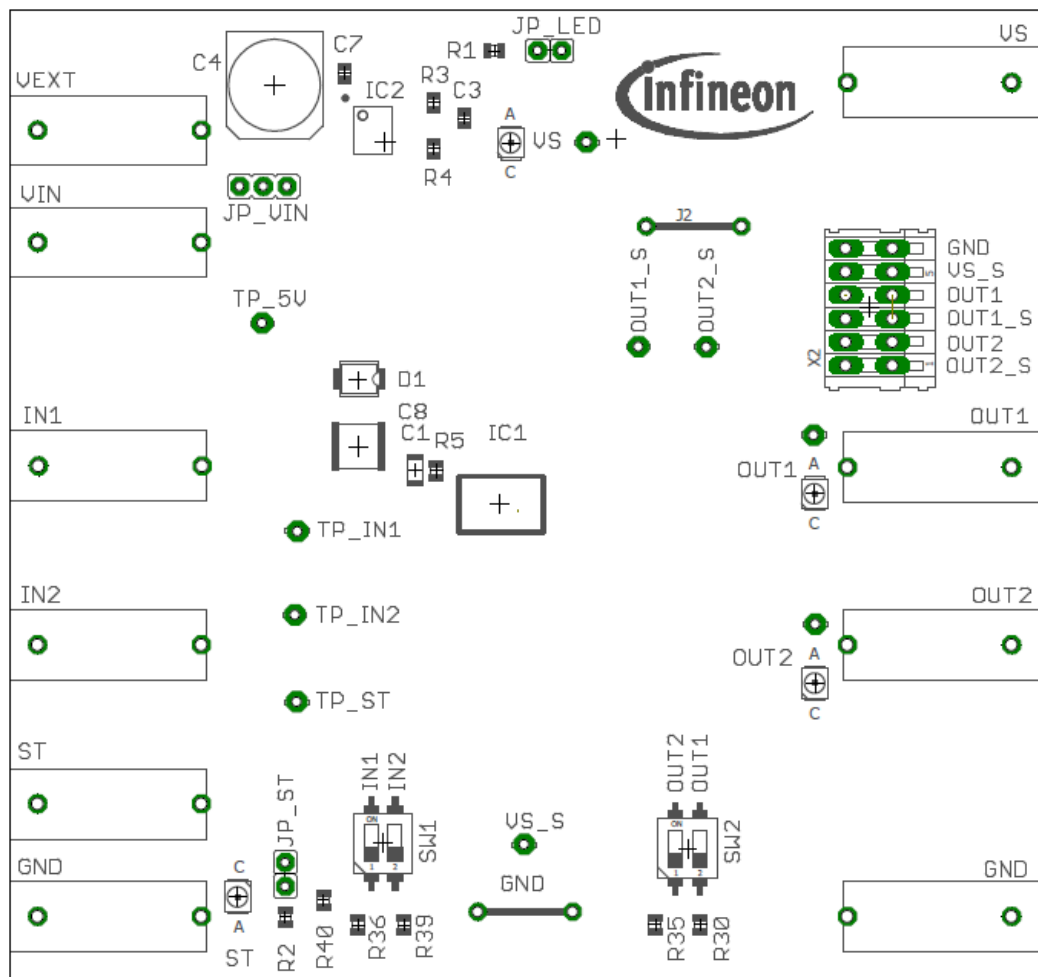
CONTROL/INPUT - Side

POWER/OUTPUT - Side

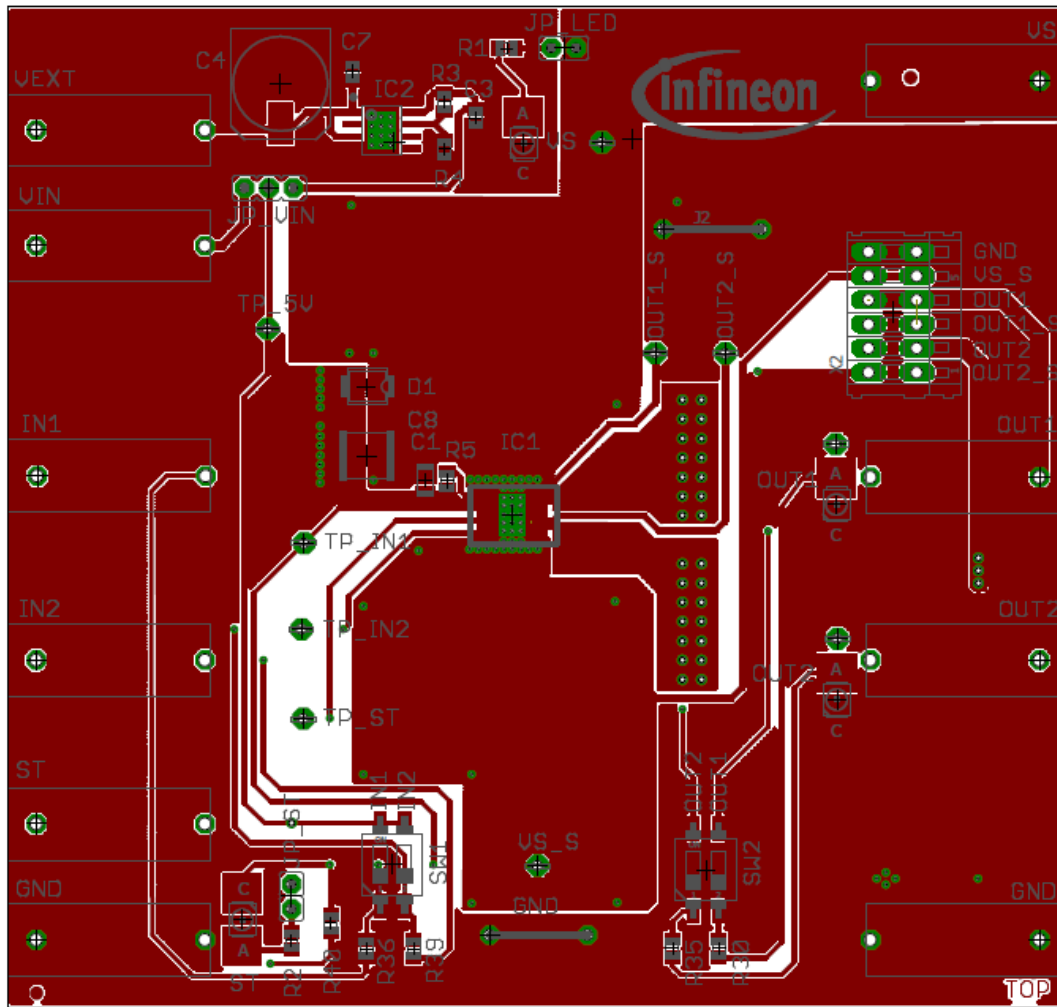
Top View

IC1 = ITS4040D 2-channel Industrial PROFET

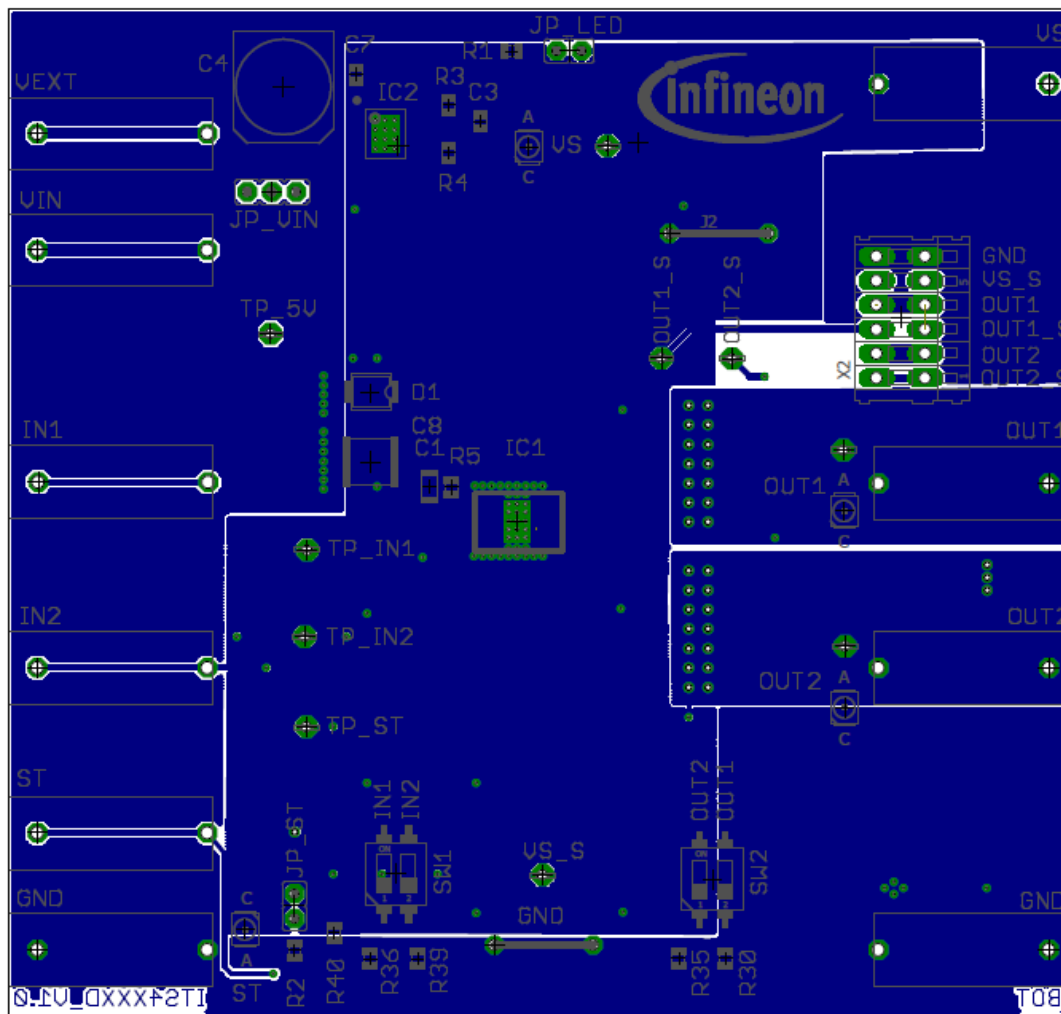
IC2 = IFX30081 VREG as option to generate logic levels for input pins



Top Layer



Bottom Layer





Part of your life. Part of tomorrow.



单击下面可查看定价，库存，交付和生命周期等信息

[>>Infineon\(英飞凌\)](#)