

# Low-side driver with over-current protection and fault/enable

## 1ED44176N01F Technical description

### About this document

#### Scope and purpose

This application note describes the features and key advantages of using Infineon's 1ED44176N01F gate driver. This document will help the designer use the device within the recommended operating range by explaining how to select the current-sensing shunt resistor (RCS), resistor and capacitor (RC) filter for over-current protection (OCP) and short-circuit protection (SCP), fault clear time capacitor, and how to design the interfacing circuitry with the controller. In this application note we will explain the benefits of using 1ED44176N01F by showing the potential cost savings and increased power density capability.

#### Intended audience

This document is intended for people who would like an introduction to 1ED44176N01 and for designers who are looking to reduce their system cost and space while increasing the power density of their design.

### Table of Contents

<b>About this document</b> .....	<b>1</b>
<b>Table of Contents</b> .....	<b>1</b>
<b>1 Product overview</b> .....	<b>3</b>
1.1 Internal block diagram and features .....	3
1.2 The detailed features and integrated functions of 1ED44176N01F.....	3
1.2.1 Features .....	3
1.2.2 Functions .....	3
1.3 Maximum electrical ratings.....	4
1.4 Description of the input and output pins .....	4
1.5 Outline drawings .....	7
<b>2 Interface circuit and layout guide</b> .....	<b>8</b>
2.1 Input/Output signal connection .....	8
2.2 General interface circuit example.....	9
2.3 Recommended layout pattern for over-current protection (OCP) & short circuit protection (SCP) functions.....	10
2.4 Recommended wiring of the bypass capacitors .....	10
2.5 Recommended PCB layout .....	11
<b>3 Protection features</b> .....	<b>12</b>
3.1 Undervoltage lockout protection (UVLO).....	12
3.2 Overcurrent protection (OCP).....	14
3.2.1 Timing chart of OCP .....	14
3.2.2 Selecting $R_{CS}$ .....	15
3.2.3 OCP delay time .....	15
3.3 Fault output circuit and fault clear time setup .....	16
3.4 Enable input circuit .....	17

**Product overview**

<b>4</b>	<b>Driving capability .....</b>	<b>19</b>
4.1	lo+ and lo- .....	19
<b>5</b>	<b>Recommended related products.....</b>	<b>20</b>
<b>6</b>	<b>References .....</b>	<b>22</b>
<b>7</b>	<b>Revision history.....</b>	<b>23</b>

Product overview

## 1 Product overview

### 1.1 Internal block diagram and features

Figure 1 illustrates the internal block diagram of the 1ED44176N01F.

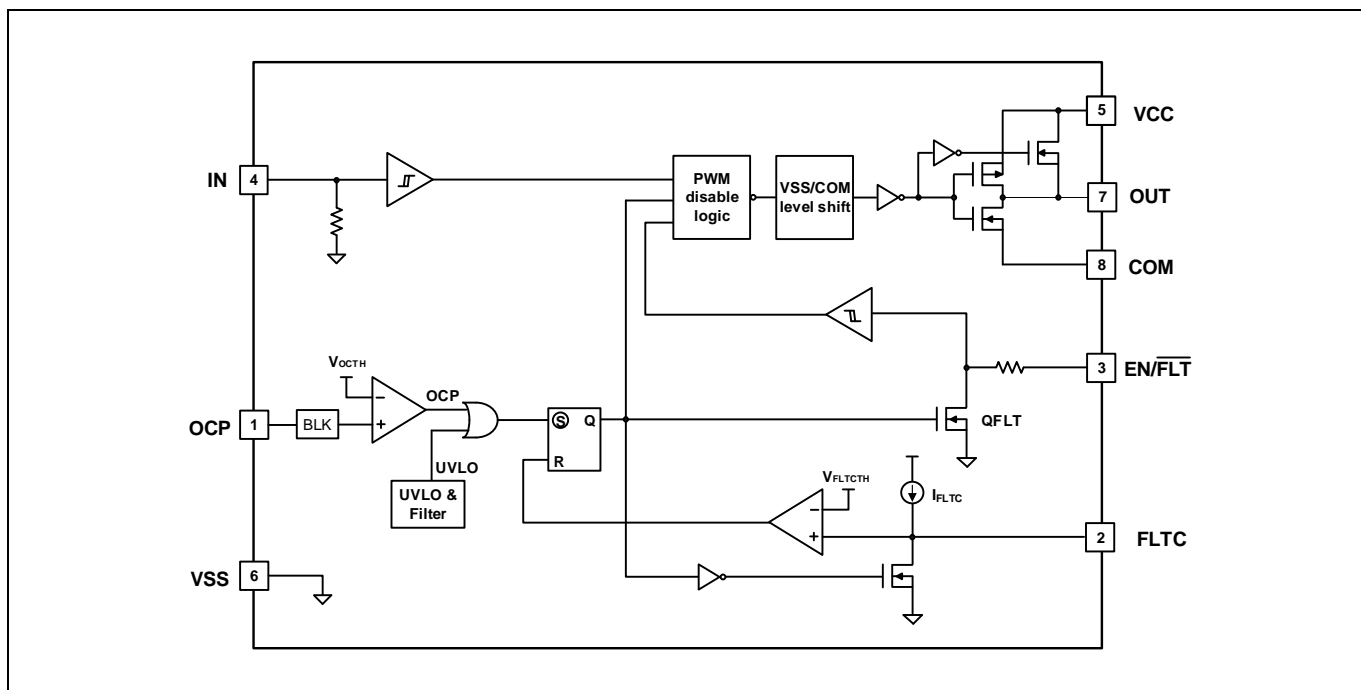


Figure 1 Internal block diagram

### 1.2 The detailed features and integrated functions of 1ED44176N01F

#### 1.2.1 Features

- Over-current detection with positive voltage input
- 0.5 V over-current threshold with accurate  $\pm 5\%$  tolerance at 25 °C
- Dedicated pin for fault output and enable
- Programmable fault clear time
- Under voltage lockout
- CMOS Schmitt-triggered inputs
- 3.3 V, 5 V and 15 V input logic compatible
- Output in phase with input
- Separate logic and power ground
- 2kV ESD HBM

#### 1.2.2 Functions

- OC shutdown
- UVLO
- Fault output and enable
- The switch turns off during protection

**Product overview**

- Active-high input signal logic

**1.3 Maximum electrical ratings**

**Table 1 Detailed description of absolute maximum ratings**

Symbol	Definition	Min.	Max.	Units
V <sub>CC</sub>	Fixed supply voltage	- 0.5	25	V
V <sub>O</sub>	Output voltage (OUT)	COM - 0.5	VCC + 0.5	
V <sub>OCP</sub>	Voltage at current sense pin (OCP)	- 0.5	VCC + 0.5	
V <sub>EN/<math>\overline{\text{FLT}}</math></sub>	Voltage at enable and fault reporting pin (EN/ $\overline{\text{FLT}}$ )	- 0.5	VCC + 0.5	
V <sub>FLTC</sub>	Voltage at fault clear time program pin (FLTC)	- 0.5	VCC + 0.5	
V <sub>IN</sub>	Logic input voltage ( IN )	- 0.5	VCC + 0.5	
COM	Driver return voltage	- 5	VCC + 0.5	
P <sub>D</sub>	Package power dissipation @ T <sub>A</sub> ≤ 25°C	PG-DSO 8-910	0.625	W
R <sub>thJA</sub>	Thermal resistance, junction to ambient		200	°C/W
T <sub>J</sub>	Junction temperature	- 40	150	°C
T <sub>S</sub>	Storage temperature	- 55	150	
T <sub>L</sub>	Lead temperature (soldering, 10 seconds)	-	300	

Table 1: Absolute maximum ratings indicate sustained limits beyond which damage to the device may occur. All voltage parameters are absolute voltages referenced to VSS. The thermal resistance and power dissipation ratings are measured under board-mounted and still-air conditions.

**1.4 Description of the input and output pins**

Table 2 defines the 1ED44176N01F input and output pins. The detailed functional descriptions are as follows:

**Table 2 Pin descriptions of 1ED44176N01F**

Pin number	Pin name	Pin description
1	OCP	Current sense input
2	FLTC	Fault clear time program input
3	EN/ $\overline{\text{FLT}}$	Enable and fault reporting pin, two functions: <ol style="list-style-type: none"> <li>1. Logic input to enable I/O functionality. I/O logic functions when ENABLE is high and enable function is not latched.</li> <li>2. Fault reporting function like over-current or undervoltage lockout, this pin has negative logic and an open-drain output.</li> </ol>
4	IN	Logic input for gate driver output (OUT), in phase
5	VCC	Supply voltage
6	VSS	Logic ground
7	OUT	Gate drive output
8	COM	Gate drive return

## Product overview

### Over-current detection pin

Pin 1: OCP

- The  $R_{CS}$  should be connected between the pin (emitter of low-side IGBT or source of low-side MOSFET) and the power ground to detect short-circuit current (refer to Figure 5). An RC filter needs to be connected between the shunt resistor and the OCP pin if the internal blanking time is not enough to eliminate the noise.
- The integrated comparator is triggered if the voltage of the OCP pin ( $V_{OCP}$ ) is higher than 0.5 V. The shunt resistor should be selected to meet this level for the specific application. In case of a trigger event, the voltage at pin  $\overline{EN/FLT}$  is pulled down to low.
- The connection length between the  $R_{CS}$  and OCP pin should be minimized.

### Fault clear timer

Pin 2: FLTC

- This is a programmable fault clear time pin. There is an internal current source to charge up the external capacitor (which is connected between FLTC and VSS pins) to program the fault clear time once the fault condition (UVLO or OCP) occurs.
- Once the fault condition occurs, the  $\overline{EN/FLT}$  pin is internally pulled down to Vss. The  $\overline{EN/FLT}$  output stays in the low state until the fault condition has been removed and the fault clear timer expires.

### Fault output and enable pin

Pin 3:  $\overline{EN/FLT}$

- This is the fault output pin. An active low output is given on this pin for a fault state condition in the 1ED44176N01F. The fault conditions are OC detection and VCC under voltage operation.
- The  $\overline{EN/FLT}$  output is open-drain configured. The  $\overline{EN/FLT}$  signal line should be pulled up to the logic power supply (5 V or 3.3 V) with proper resistance.
- Externally pulling down the pin can disable the output. For normal operation, the pin needs to be pulled up.

### Signal input pin

Pin 4: IN

- This is the pin to control the operation of the external device.
- It is activated by voltage input signals. The terminal is internally connected to a Schmitt-trigger circuit composed of 5 V- class CMOS.
- The signal logic of the pin is active-high. The device associated with the pin will be turned "ON" when a sufficient logic voltage is applied to the pin.
- The wiring of the input should be as short as possible to protect the 1ED44176N01F against noise influences.
- To prevent signal oscillations, an RC coupling is recommended as illustrated in Figure 3.

### Bias voltage pin

Pin 5: VCC

- This is the control supply pin for the internal IC.

## **Product overview**

- In order to prevent malfunctions caused by noise and ripple in the supply voltage, a good quality filter capacitor with low equivalent series resistance (ESR) and low equivalent series inductance (ESL) should be mounted very close to this pin and VSS pin.

### **Common supply ground pin**

Pin 6: VSS

- This pin connects the control ground for the internal circuit of the driver.

### **Gate drive output pin**

Pin 7: OUT

- The pin is connected to the gate of the IGBT or MOSFET by the gate resistor to turn the power device on or off.
- To prevent oscillations, a gate resistor is needed to be in series with the pin and the gate of IGBT or MOSFET.

### **Gate drive return pin**

Pin 8: COM

- This pin connects the driver output return.

Product overview

1.5 Outline drawings

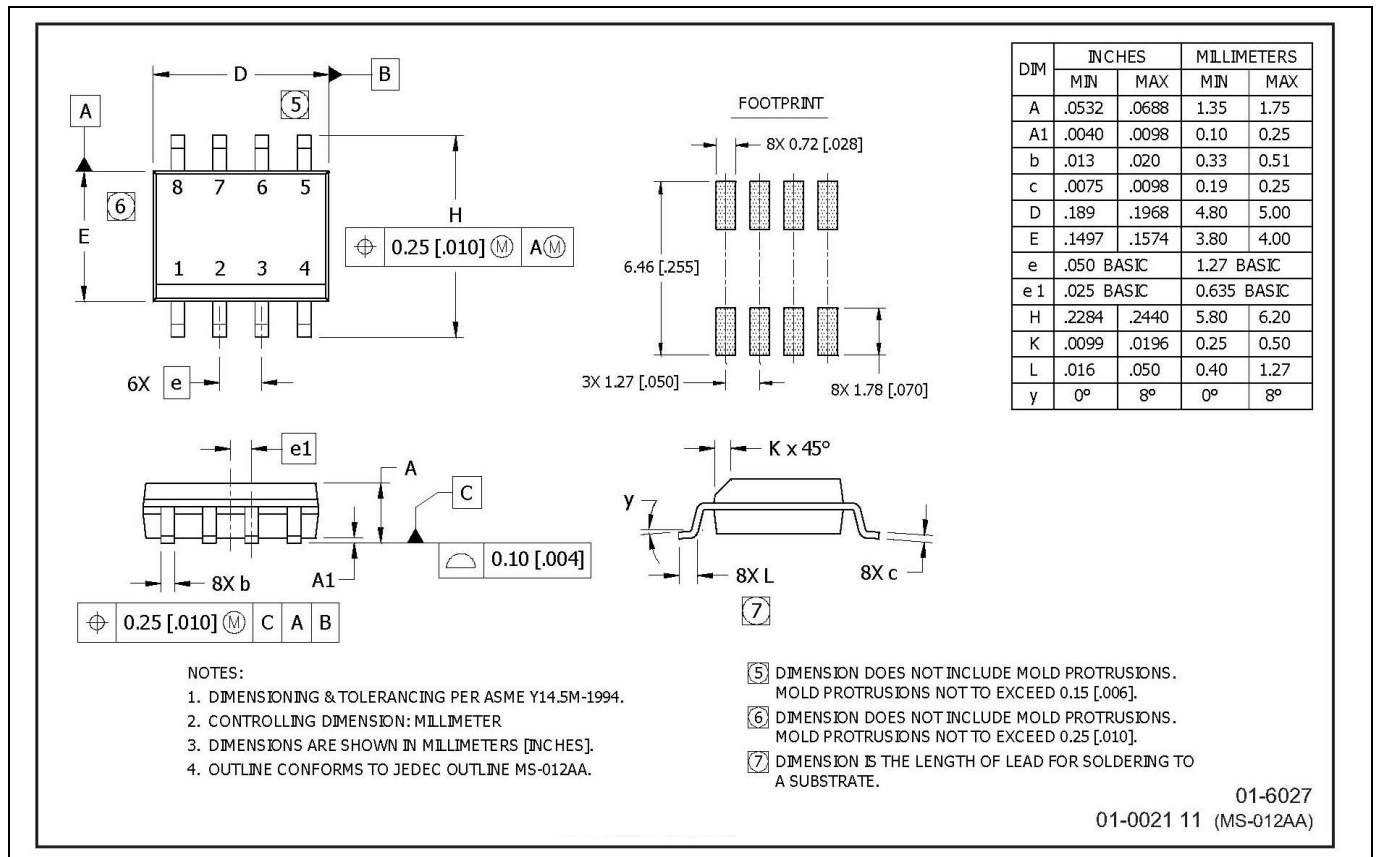


Figure 2 Package outline dimensions

## 2 Interface circuit and layout guide

### 2.1 Input/Output signal connection

Figure 3 shows the I/O interface circuit between a micro-controller ( $\mu\text{C}$ ) or digital signal processing (DSP) and the 1ED44176N01F. The 1ED44176N01F input logic is active-high. The  $\text{EN}/\overline{\text{FLT}}$  output is an open-drain configuration. This signal should be pulled up to high by an external logic power supply with a pull-up resistor. A 3.3k pull-up resistor is recommended if the external logic power supply is 3.3 V.

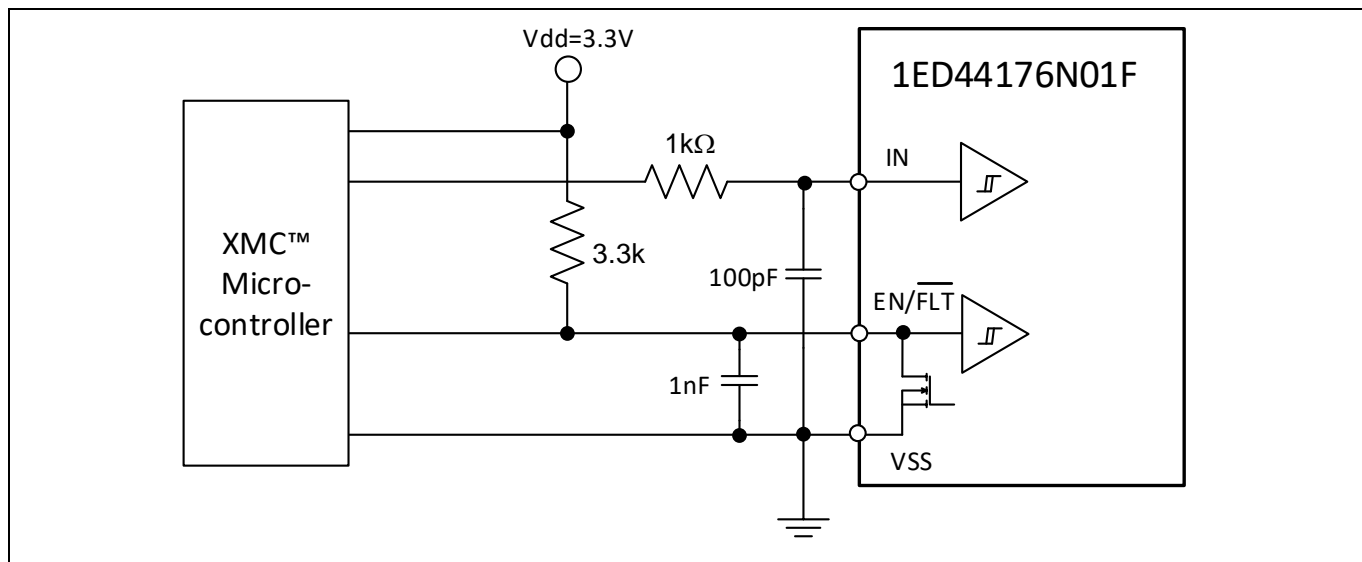


Figure 3 Recommended micro-controller I/O interface circuit

Table 3 Maximum ratings of IN and  $\text{EN}/\overline{\text{FLT}}$  pins

Item	Symbol	Condition	Rating	Unit
Fixed supply voltage	VCC	Applied between VCC – VSS	25	V
Logic input voltage	IN	Applied between IN – VSS	-0.5 ~ VCC+0.5	V
Voltage at enable and fault reporting pin	$\text{EN}/\overline{\text{FLT}}$	Applied between $\text{EN}/\overline{\text{FLT}}$ – VSS	-0.5 ~ VCC+0.5	V

The input and fault output maximum rating voltages are listed in Table 3. Since the fault output is open-drain configured and its rating is VCC+0.5 V, a 15 V supply interface is possible. However, it is recommended that the fault output be configured with the 3.3 V logic power supply which is similar to the input signals. It is also recommended to place bypass capacitors as close as possible to the  $\text{EN}/\overline{\text{FLT}}$  and VSS pins.

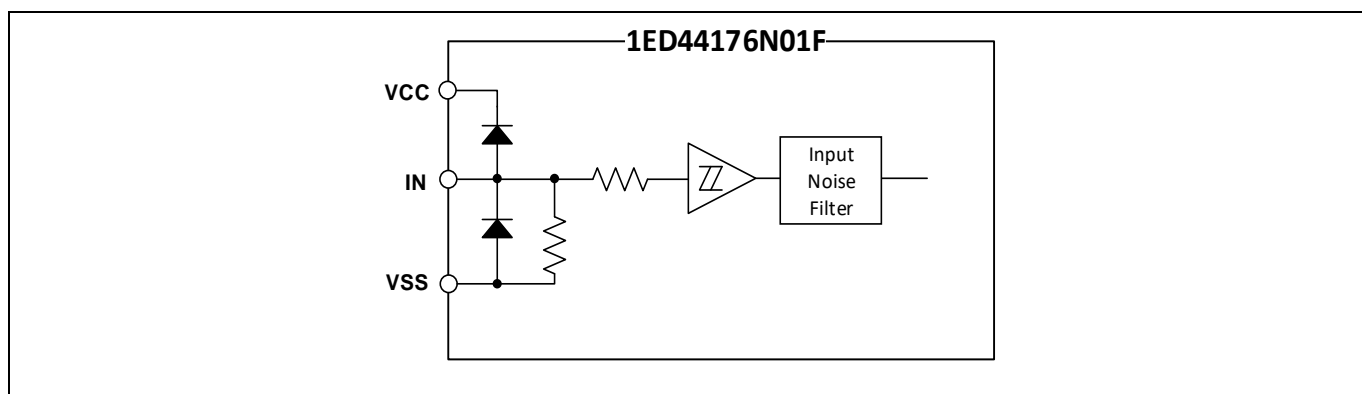


Figure 4 Simplified input structure diagram of 1ED44176N01F



Interface circuit and layout guide

The 1ED44176N01F input pin is internally clamped to VCC and VSS by diodes, it also includes a pull-down resistor, an input Schmitt-trigger and a noise filter for better noise immunity. The input pin has the capability to process input voltage up to supply voltage of the driver and it is also compatible with 3.3 V  $\mu$ C or DSP. Table 4 shows the logic input threshold.

Table 4 Input threshold voltage (at VCC = 15 V, T<sub>J</sub> = 25 °C)

Item	Symbol	Condition	Min.	Typ.	Max.	Unit
Logic "1" input voltage (IN)	V <sub>INH</sub>	IN - VSS	1.7	2.1	2.5	V
Logic "0" input voltage (IN)	V <sub>INL</sub>		0.8	1	1.2	V

As shown in Figure 4, the 1ED44176N01F input signal section integrates a pull-down resistor. Therefore, when using an external filtering resistor between the micro-controller output and 1ED44176N01F input, pay attention to the signal voltage drop at the 1ED44176N01F input terminal. It should fulfill the logic "1" input voltage requirement. For instance, R = 1 k $\Omega$  and C = 100 pF are recommended for the parts shown in Figure 3.

2.2 General interface circuit example

Figure 5 shows a typical application circuit of 1ED44176N01F for the interface schematic with control signals connected directly to a XMC™  $\mu$ C.

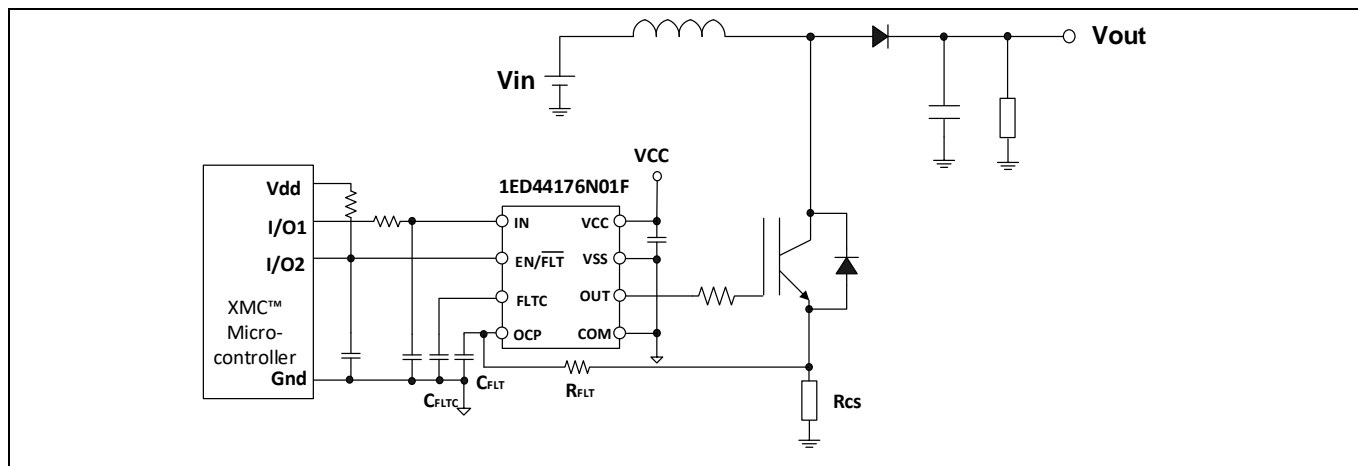


Figure 5 Application circuit example of active power factor correction (APFC) with R<sub>CS</sub> for OCP

Note:

1. The input signal is active-high configured. There is an internal pull-down resistor from the input signal line to VSS. When employing an RC coupling circuit between micro-controller and 1ED44176N01F, the RC values should be properly selected so that the input signal is compatible with the 1ED44176N01F logic "1"/logic "0" input voltages.
2. To avoid malfunction, the wiring of the input should be as short as possible (less than 2-3 cm).
3. The input of 1ED44176N01F can be directly connected to the micro-controller terminal without any opto-coupler or transformer isolation.
4. EN/FLT output is an open-drain output. This signal line should be pulled up to the positive side of the 5 V or 3.3 V logic power supply with a pull-up resistor. When positioning the RC filter, a close location to 1ED44176N01F is recommended.

Interface circuit and layout guide

5. An internal current source in FLTC pin charges  $C_{FLTC}$  to program the fault clear time when the fault condition occurs.  $C_{FLTC}$  wiring should be placed as close to FLTC and VSS pins as possible.
6. To prevent protection function errors, the  $R_{FLT}$  and  $C_{FLT}$  wiring between OCP and power ground should be as short as possible.  $C_{FLT}$  wiring should be placed as close to OCP and VSS pins as possible.
7. Each capacitor should be mounted as close to the pins of the 1ED44176N01F as possible.
8. Separate the output return ground from input logic ground to avoid noise coupling of the logic input pins.
9. It is recommended to connect the gate output return to COM and connect the ground pin of the micro-controller to the VSS pin.

### 2.3 Recommended layout pattern for over-current protection (OCP) & short circuit protection (SCP) functions

As shown in Figure 6, it is recommended that the OCP filter capacitor connections to the 1ED44176N01F pins be as short as possible. The OCP filter capacitor should be connected to the VSS pin directly without overlapping the driver OUT return ground pattern. It is also recommended to keep the current sense loop, which is shown in Figure 6, as small as possible for better noise immunity. External current-sensing resistors are applied to detect over-current. A high ESL  $R_{CS}$  or a long wiring pattern between the  $R_{CS}$  and low side IGBT will cause excessive surges that might damage the 1ED44176N01F and current detection components. This may also distort the sensing signals. To decrease the parasitic inductance, the wiring between the  $R_{CS}$  and emitter of low side IGBT should be as short as possible. **Low ESL film resistors** are strongly recommended for the  $R_{CS}$ .

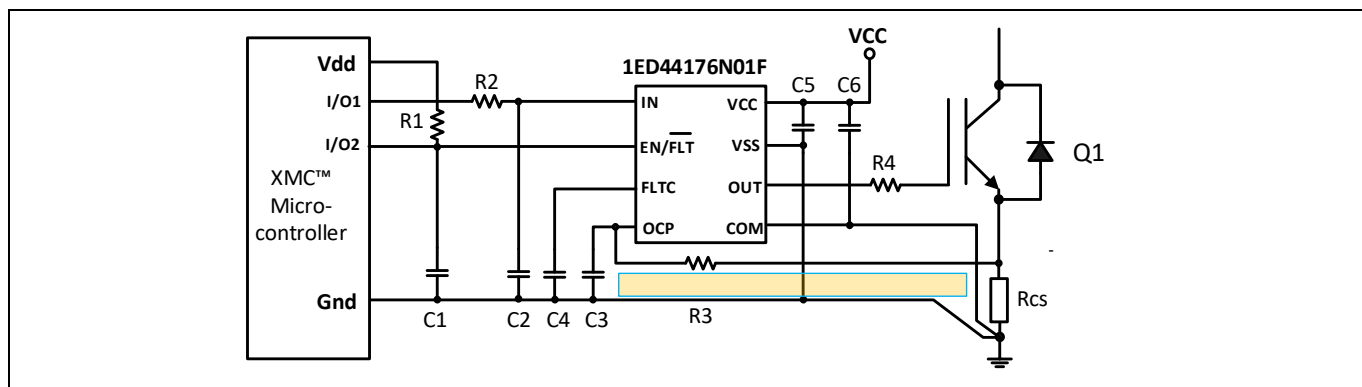


Figure 6 Recommended layout pattern for OCP & SCP function

### 2.4 Recommended wiring of the bypass capacitors

It is recommended to place two low ESL ceramic bypass capacitors ( $C5/C6$ ) about  $1\mu F$ , one ( $C5$ ) connected between VCC and VSS, the other ( $C6$ ) connected between VCC and COM directly. Also connect the ground of the capacitor ( $C1\sim C4$ ) to VSS. Finally connect VSS, COM and  $\mu C$  signal ground at  $R_{CS}$ . The signal ground and power ground at  $R_{CS}$  are connected at only one point. It is also recommended to keep the driver output return loop, which is shown in Figure 7, as small as possible.

Interface circuit and layout guide

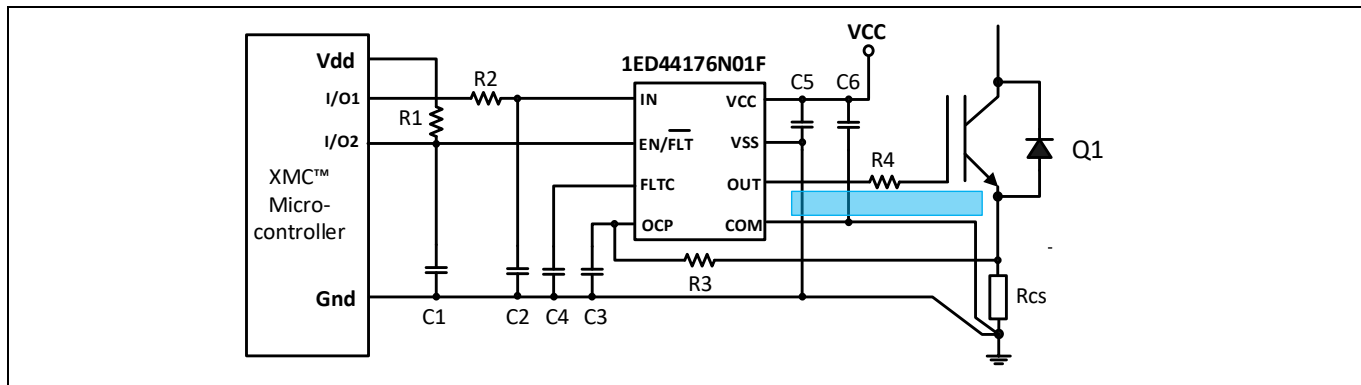


Figure 7 Recommended wiring of bypass capacitors

## 2.5 Recommended PCB layout

Proper PCB layout is important in high-current, fast-switching circuits to provide proper device operation and robustness of the design. Improper component and placement may cause errant switching, excessive voltage ringing, or circuit latch-up.

Here is the recommended PCB layout:

1. PCB trace loop area and inductance must be minimized.
  - This is accomplished by placing the 1ED44176N01F directly at the power switch (IGBT/MOSFET).
  - Placing the bypass capacitor (C5/C6) directly at the 1ED44176N01F.
  - Locating ground planes or ground return traces directly above or beneath 1ED44176N01F can reduce trace inductance.
2. A ground plane also helps as a radiated noise shield and provides some heat sinking for power dissipated within the device.
3. **Separate the gate output return ground from input logic ground to avoid noise coupling of the logic input pins.**

Figure 8 is the example of the PCB layout for the schematic of Figure 7.

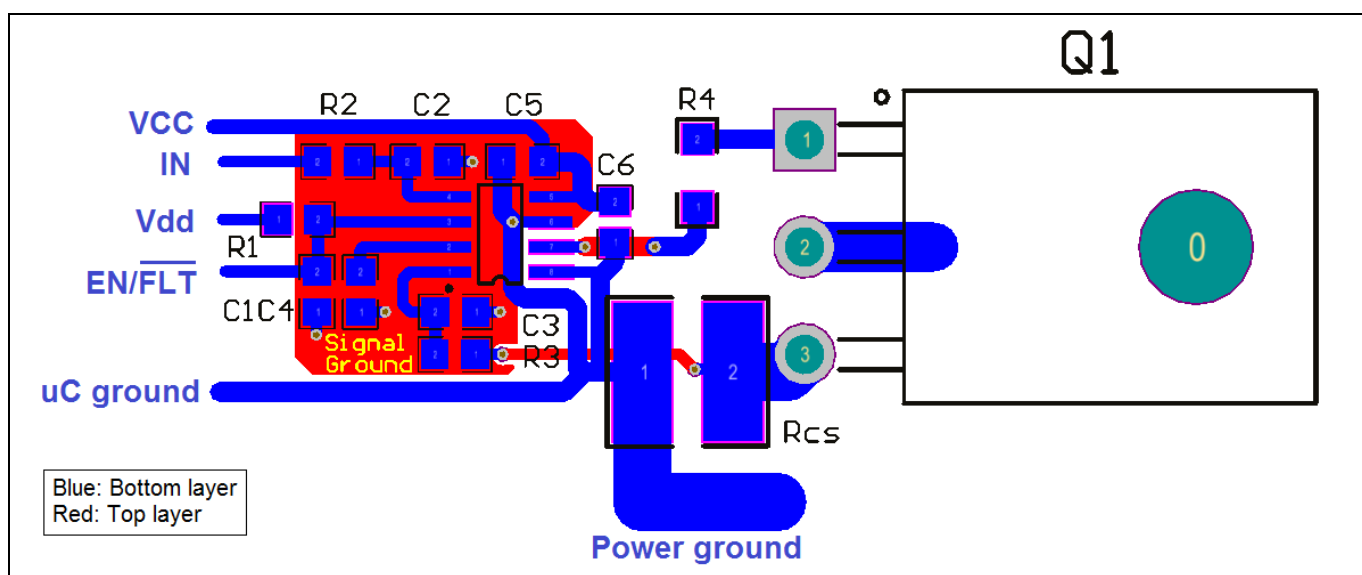


Figure 8 Example of the PCB layout for the schematic of Figure 7

Protection features

### 3 Protection features

#### 3.1 Undervoltage lockout protection (UVLO)

The 1ED44176N01F has an internal UVLO protection feature on the VCC pin supply circuit blocks. Table 5 shows the UVLO threshold.

Upon power-up, if the VCC voltage fails to reach the  $V_{CCUV+}$  threshold, the driver cannot turn on. Additionally, if the VCC voltage decreases below the  $V_{CCUV-}$  threshold and the VCC bias voltage remains lower than the  $V_{CCUV-}$  threshold exceeding UVLO filter time ( $t_{VCCUV}$ ) during operation, the undervoltage lockout circuitry will recognize a fault condition and shut-down the drive output. The  $\overline{EN/FLT}$  will then transit to the low state to inform the controller of the fault condition, regardless of the status of the IN input pin. The  $t_{VCCUV}$  about  $2\mu s$  helps to suppress noise from the UVLO circuit, so that negative-going voltage spikes at the supply pin will avoid parasitic UVLO events.

Table 5 VCC UVLO threshold voltage (at VSS = COM,  $T_J = 25^\circ C$ )

Item	Symbol	Condition	Min.	Typ.	Max.	Unit
Vcc supply undervoltage positive-going threshold	$V_{CCUV+}$	Applied between VCC – VSS	11.2	11.9	12.7	V
Vcc supply undervoltage negative-going threshold	$V_{CCUV-}$		10.7	11.4	12.2	
Vcc supply undervoltage lockout hysteresis	$V_{CCUVH}$		—	0.5	—	

When VCC is higher than  $V_{CCUV+}$  and longer than  $t_{FLTCH}$ ,  $\overline{EN/FLT}$  becomes high and the OUT will follow the input signal IN. (Figure 9 shows the UVLO time is shorter than  $t_{FLTCH}$ .)

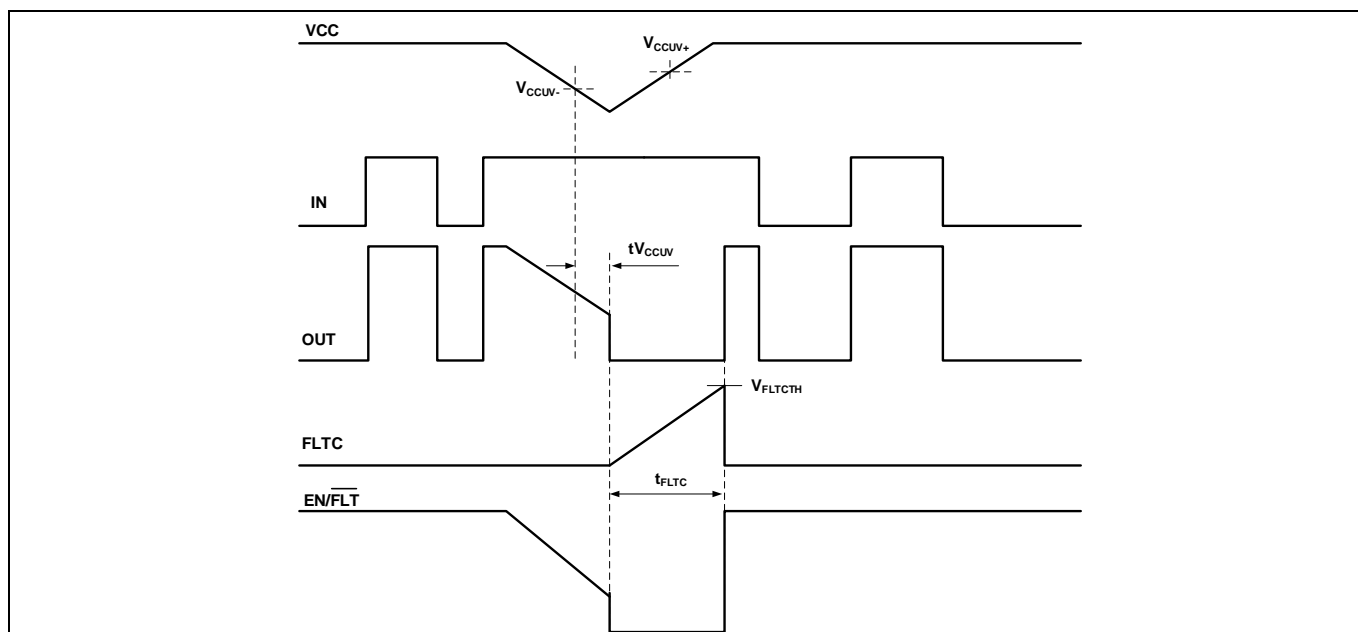
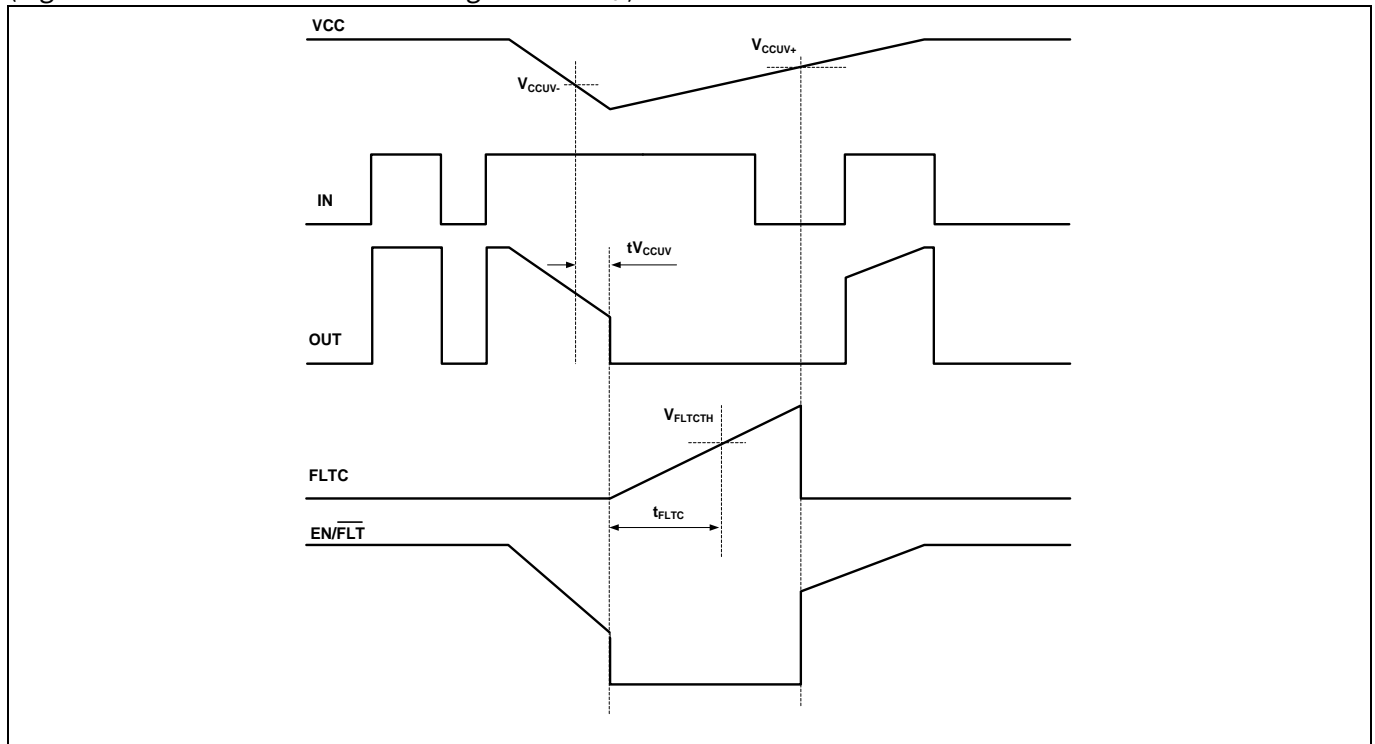


Figure 9 Vcc under voltage protection case one

**Protection features**

Once  $\overline{\text{EN/FLT}}$  enters UVLO mode,  $\overline{\text{EN/FLT}}$  keeps low until  $t_{\text{FLTCTH}}$  is over and VCC supply voltage higher than  $V_{\text{CCUV+}}$ . (Figure 10 shows the UVLO time is longer than  $t_{\text{FLTCTH}}$ .)



**Figure 10 Vcc under voltage protection case two**

The UVLO protection ensures that the IC drives the external power devices only when the gate supply voltage is sufficient to fully enhance the power devices. Without this feature, the gates of the external power device could be driven with a low voltage, resulting in the power device conducting current while the channel impedance is high. This could result in very high conduction losses within the power device and could lead to power device failure.

The VCC power for the 1ED44176N01F is normally provided by a single 15 V supply that is connected to the VCC and VSS terminals. The VCC power supply should be well filtered with a low impedance electrolytic capacitor and a high-frequency decoupling capacitor connected at the 1ED44176N01F's pins.

High-frequency noise on the supply might cause the internal control circuit to malfunction and to generate erroneous fault signals. To avoid these problems, the maximum ripple on the supply should be less than  $\pm 1$  V. The potential at the 1ED44176N01F's VSS terminal is different from the emitter of low-side IGBT terminal by the voltage drop across the current-sensing resistor. It is very important that all control circuits and power supplies are referred to this point and not to the low-side IGBT emitter terminal. If circuits are improperly connected, the additional current flowing through the sense resistor might cause improper operation of the short-circuit protection function. In general, it is best practice to make the common reference (VSS) a ground plane in the PCB layout.

Protection features

3.2 Overcurrent protection (OCP)

3.2.1 Timing chart of OCP

The 1ED44176N01F has an OC shutdown function. Its internal comparator monitors the voltage of the OCP pin. If this voltage exceeds the OCP threshold ( $V_{OCTH}$ ), which is specified in Table 6, a fault signal is activated and the OUT is turned off. The tolerance of the OCP threshold is  $\pm 5\%$ ; it keeps the accurate OCP in the system design.

Table 6 Current limit threshold voltage (at  $V_{CC} = 15\text{ V}$ ,  $T_J = 25\text{ }^\circ\text{C}$ )

Item	Symbol	Condition	Min.	Typ.	Max.	Unit
Current limit threshold voltage	$V_{OCTH}$	OCP – VSS	475	500	525	mV

Typically the maximum short-circuit current magnitude of the IGBT is gate-voltage dependent. A higher gate voltage results in a larger short-circuit current. Generally the maximum over-current trip level is set to below 2 times the nominal rated collector current. The over-current protection-timing chart is shown in Figure 11.

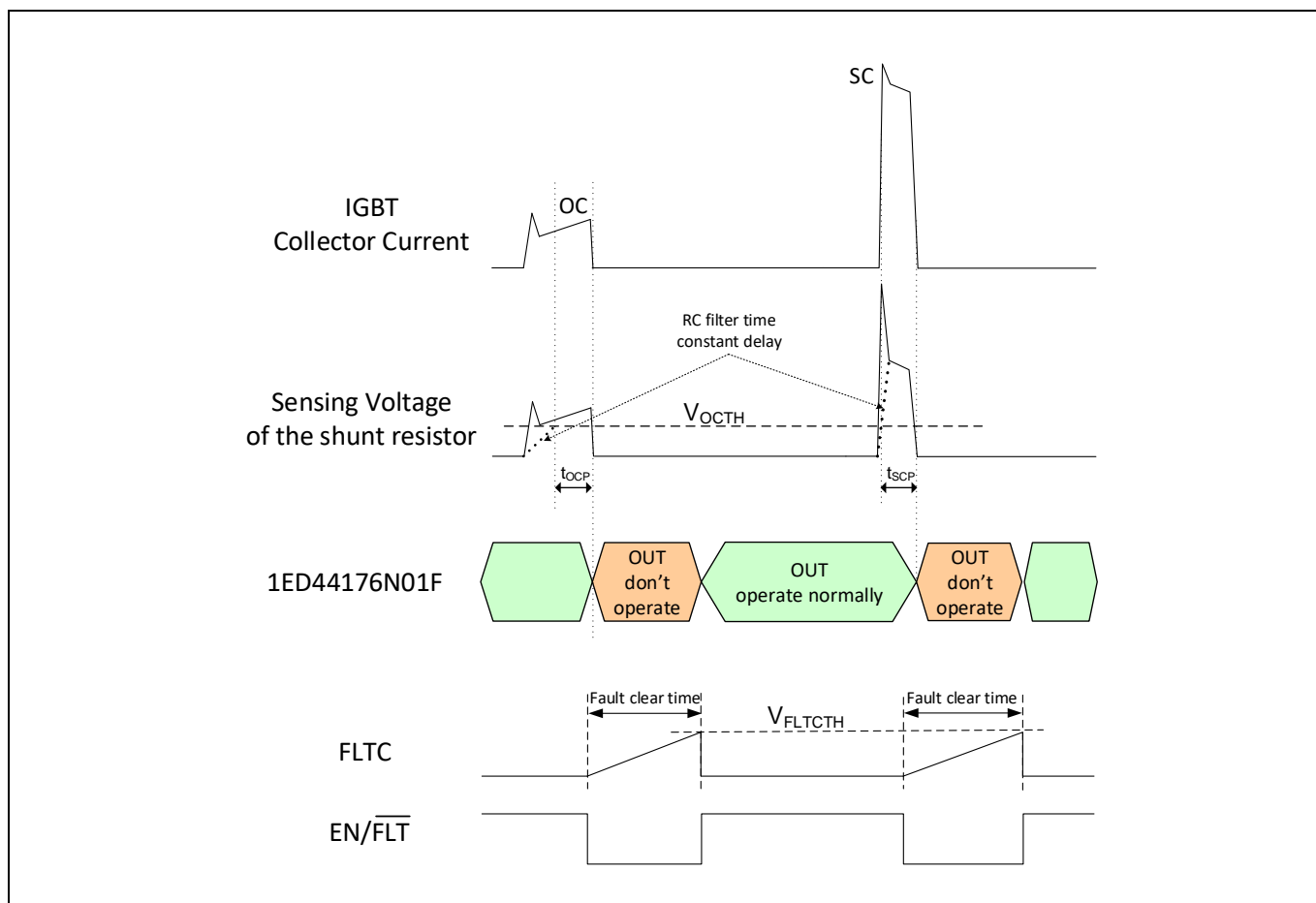


Figure 11 Timing chart of OCP

## Protection features

### 3.2.2 Selecting R<sub>CS</sub>

The value of the R<sub>CS</sub> is calculated by the following equation:

$$R_{SC} = \frac{V_{OCTH}}{I_{OC}} \quad (1)$$

where I<sub>OC</sub> is the current of the over-current (OC) detection level.

The maximum value of the OC protection level should be set lower than the repetitive peak collector current in the datasheet considering the tolerance of R<sub>CS</sub>.

For example, if the OCP is 25 A, thus, the recommended value of the R<sub>CS</sub> is calculated as

$$R_{SC(min)} = \frac{0.5}{25} = 20 \text{ m}\Omega$$

For the power rating of the R<sub>CS</sub>, the following list should be considered:

- Maximum load current (I<sub>rms</sub>)
- R<sub>CS</sub> value at T<sub>C</sub>=25 °C
- Power derating ratio of R<sub>CS</sub> at T<sub>C</sub>=100 °C according to the manufacturer's datasheet
- Safety margin

The R<sub>CS</sub> power rating is calculated by the following equation:

$$P_{SC} = \frac{I_{rms}^2 \times R_{SC} \times \text{margin}}{\text{derating ratio}} \quad (2)$$

For example, If R<sub>SC</sub>=20 mΩ:

- Max. load current: 4 A (rms)
- Power derating ratio of R<sub>CS</sub> at T<sub>C</sub>=100 °C : 80%
- Safety margin : 50%

$$P_{SC} = \frac{4^2 \times 0.02 \times 1.5}{0.8} = 0.6 \text{ W}$$

A proper power rating of R<sub>CS</sub> is over 0.6 W, e.g. 1 W.

A proper resistance and power rating higher than the minimum value should be chosen considering the OCP level required in the application.

### 3.2.3 OCP delay time

The internal OCP blanking time (t<sub>BLK</sub>, Table 7 shows the specification) is necessary in the OC sensing circuit to prevent malfunction of the OCP caused by noise. If the blanking time is not sufficient to suppress the noise, an additional RC filter is necessary. The RC time constant is determined by considering the noise duration and the short circuit withstand time capability of the IGBT.

The sensing voltage on R<sub>CS</sub> is applied to the OCP pin of 1ED44176N01F via the RC filter. The filter delay time (t<sub>FILTER</sub>) that the input voltage of OCP pin rises to the OCP positive threshold voltage is caused by RC filter time constant.

**Protection features**

In addition there is a shutdown propagation delay of OCP ( $t_{\text{OCPDEL}}$ , the time from OCP happening to output shutdown). Please refer to Table 8.

**Table 7 Specification of OCP blanking time**

Item	Min.	Typ.	Max.	Unit
Over current protection blanking time $t_{\text{BLK}}$	100	180	250	ns

**Table 8 Specification of OCP to output shutdown propagation delay**

Item	Min.	Typ.	Max.	Unit
OCP to output shutdown propagation delay $t_{\text{OCPDEL}}$	—	380	470	ns

Therefore the total delay time from OCP threshold ( $V_{\text{OCTH}}$ ) to the shut down of the IGBT becomes:

$$t_{\text{TOTAL}} = t_{\text{FILTER}} + t_{\text{OCPDEL}} \quad (3)$$

Shut-down propagation delay is inversely proportional to the current rating, therefore the  $t_{\text{TOTAL}}$  is reduced at higher current conditions. The total delay must be less than the short-circuit withstanding time ( $t_{\text{SC}}$ ) of the IGBT in the datasheet. If the  $t_{\text{SC}} = 3 \mu\text{s}$ , the RC time constant should be set in the range of  $1 \mu\text{s}$ . Recommended values for the filter components are  $R=680 \Omega$  and  $C=1 \text{ nF}$ .

**3.3 Fault output circuit and fault clear time setup**

The 1ED44176N01F provides a dedicated fault reporting output pin ( $\text{EN}/\overline{\text{FLT}}$ ) and a programmable fault clear time pin (FLTC); see Figure 12. Once the fault condition occurs, the  $\text{EN}/\overline{\text{FLT}}$  pin is internally pulled down to VSS. The  $\text{EN}/\overline{\text{FLT}}$  output stays in the low state until the fault condition has been removed and the fault clear timer expires. Once the fault clear timer expires, the voltage on the  $\text{EN}/\overline{\text{FLT}}$  pin will return to its external pull-up voltage.

The  $t_{\text{FLTC}}$  (see Figure 9) is programmed by external capacitor ( $C_{\text{FLTC}}$ ) which is connected between FLTC and VSS. The  $t_{\text{FLTC}}$  is calculated by using the formula below:

$$t_{\text{FLTC}} = \frac{C_{\text{FLTC}} \times V_{\text{FLTCTH}}}{I_{\text{FLTC}}} \quad (4)$$

where  $V_{\text{FLTCTH}}$  is fault clear threshold voltage (Typ. 2.7 V),  $I_{\text{FLTC}}$  is fault clear sourcing current (Typ. 25  $\mu\text{A}$ ).

The sample of  $t_{\text{FLTCLR}}$  setup:

If  $C_{\text{FLTC}} = 1 \text{ nF}$ , then

$$t_{\text{FLTC}} = \frac{1\text{nF} \times 2.7\text{V}}{25\mu\text{A}} = 108\mu\text{s}$$



Protection features

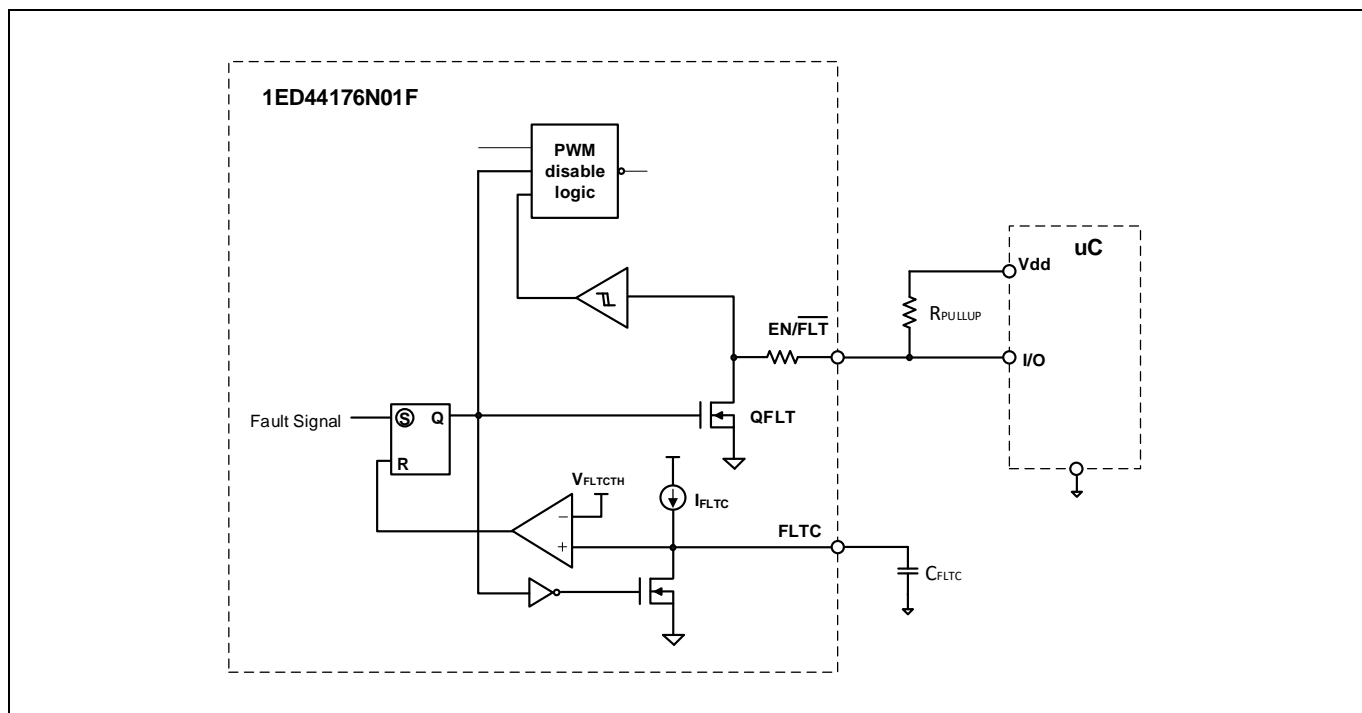


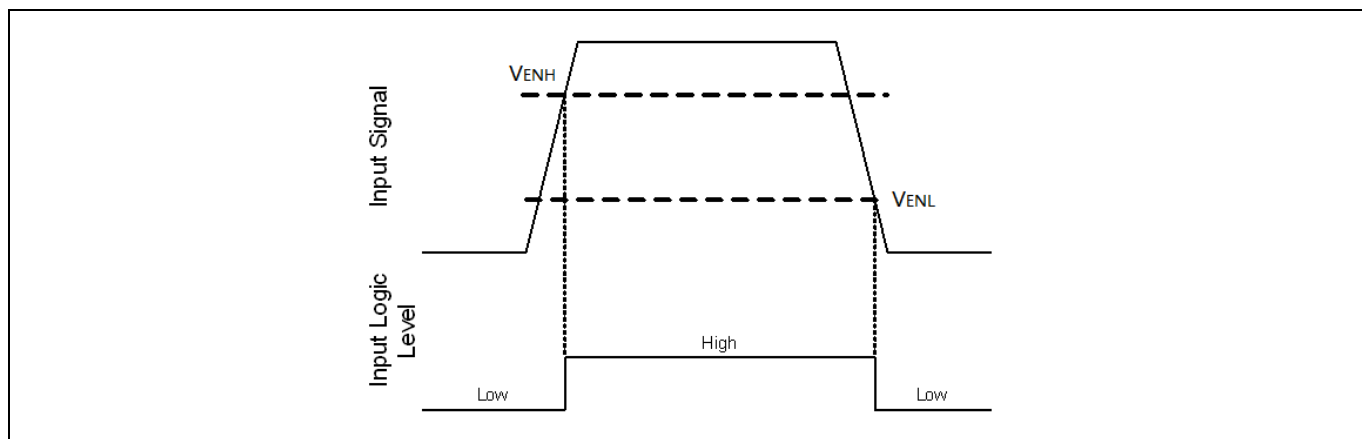
Figure 12 Diagram of the fault output circuit and fault clear time setup

### 3.4 Enable input circuit

1ED44176N01F provides an enable functionality that allows to shutdown or to enable the output. When  $\overline{EN/FLT}$  is pulled up (the enable voltage is higher than  $V_{ENH}$ ) the output is able to operate normally, pulling  $\overline{EN/FLT}$  low (the enable voltage is lower than  $V_{ENL}$ ) the output is disable. The enable function is not latched. See the threshold voltage of  $V_{ENH}$  and  $V_{ENL}$  in Table 9 and Figure 13.

Table 9  $\overline{EN/FLT}$  input threshold voltage (at  $V_{CC} = 15\text{ V}$ ,  $T_J = 25\text{ }^\circ\text{C}$ )

Item	Symbol	Condition	Min.	Typ.	Max.	Unit
Logic "1" input voltage ( $\overline{EN/FLT}$ )	$V_{ENH}$	$\overline{EN/FLT} - V_{SS}$	1.7	2.1	2.5	V
Logic "0" input voltage ( $\overline{EN/FLT}$ )	$V_{ENL}$		0.8	1	1.2	V



Protection features

Figure 13 Enable input thresholds

The relationships between the input (IN), output (OUT) and enable (EN/ $\overline{\text{FLT}}$ ) signals of the 1ED44176N01F are illustrated below in Figure 14.

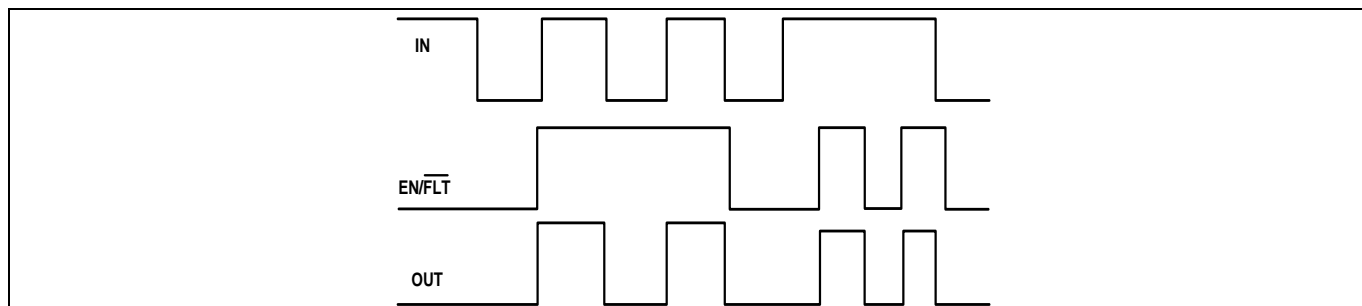


Figure 14 Input/output/enable pins timing diagram

From Figure 15, we can see the definitions of two timing parameters ( $t_{\text{DISA}}$  and  $t_{\text{EN}}$ ) associated with this device.  $t_{\text{DISA}}$  is the delay time from enable signal pulling down to output shutting down.  $t_{\text{EN}}$  is the delay time from enable signal pulling up to output going high (when input is high). Please refer to Table 10. Because of the short propagation delay, EN/ $\overline{\text{FLT}}$  can be used as another input.

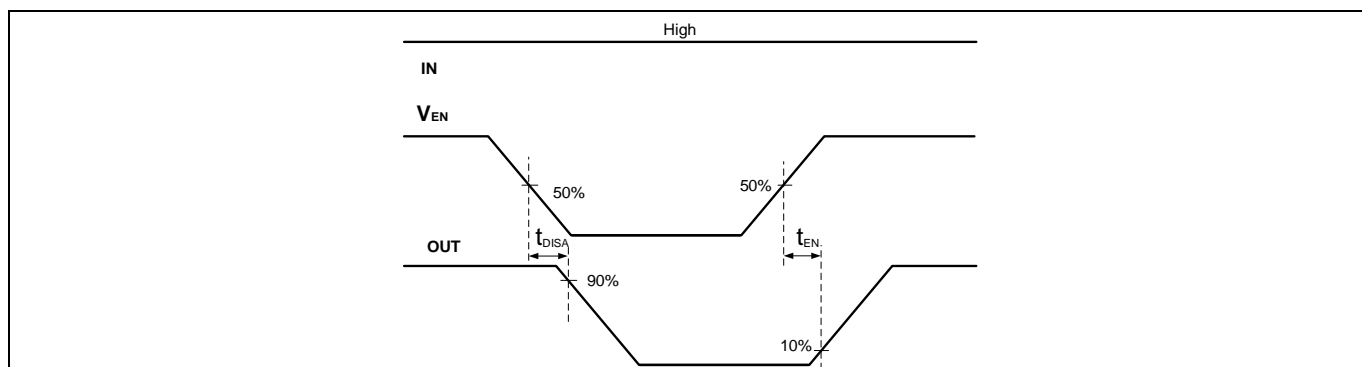


Figure 15 EN pin switching time waveform

Table 10 Specification of enable and disable delay time

Item	Min.	Typ.	Max.	Unit
Enable propagation delay $t_{\text{DISA}}$	—	50	95	ns
Disable propagation delay $t_{\text{EN}}$	—	50	95	

Driving capability

## 4 Driving capability

### 4.1 $I_{o+}$ and $I_{o-}$

When the 1ED44176N01F is used to drive the PFC switch, e.g. the IGBT, the sourcing current of 1ED44176N01F is designed smaller than the sinking current to optimize the trade off between the switching loss and the switching speed for EMI (see Table 11). This means the turn-on speed of the switch is lower than the turn-off speed if the same gate resistor is used.

**Table 11**  $I_{o+}$  and  $I_{o-}$  (at  $V_{CC} = 15\text{ V}$ ,  $T_J = 25\text{ }^\circ\text{C}$ )

Item	Symbol	Condition	Min.	Typ.	Max.	Unit
Output sourcing short circuit pulsed current	$I_{o+}$	$V_o = 0\text{ V}$ $PW \leq 10\text{ }\mu\text{s}$	0.56	0.8	—	A
Output sinking short circuit pulsed current	$I_{o-}$	$V_o = 15\text{ V}$ $PW \leq 10\text{ }\mu\text{s}$	1.23	1.75	—	

**Recommended related products**

## 5 Recommended related products

The 1ED44176N01F is able to drive up to 50 A/650 V IGBTs from Infineon at frequency up to 50 kHz for PFC applications. The power rating is up to 2 kW. If the higher frequency is required for the application, Infineon's CoolMOS™ C7 superjunction MOSFET is a good choice. Some parts of the IGBT, CoolMOS™ and rapid switching emitter-controlled diode from Infineon in PFC applications are recommended in Table 12, Table 13 and Table 14. Table 15 shows Infineon's CIPOS™ Mini IPM with integrated PFC Stage.

**Table 12 Infineon's TRENCHSTOP™ 3 IGBT and TRENCHSTOP™ 5 IGBT**

Part Number	Voltage level	Type	Package	IC @ 100°C max	IC @ 25°C max
IKFW40N60DH3E	600 V	IGBT + Diode	PG-TO247-3-AI	NA	34 A
IKFW50N60DH3E	600 V	IGBT + Diode	PG-TO247-3-AI	NA	40 A
IKFW60N60DH3E	600 V	IGBT + Diode	PG-TO247-3-AI	NA	53 A
IKW30N65H5	650 V	IGBT+ Diode	PG-TO247-3	35 A	55 A
IKW40N65H5	650 V	IGBT+ Diode	PG-TO247-3	46 A	74 A
IKW50N65H5	650 V	IGBT+ Diode	PG-TO247-3	56 A	80 A

For more options visit [www.infineon.com/IGBT](http://www.infineon.com/IGBT)

**Table 13 Infineon's CoolMOS™ C7 superjunction MOSFET**

Part Number	Voltage level	Package	RDS (on)	ID @ 25°C max	ID,pulse @ 25°C max
IPW(Z)65R019C7	650 V	PG-TO 247-3(4)	19 mΩ	75 A	496 A
IPW(Z)65R045C7	650 V	PG-TO 247-3(4)	45 mΩ	46 A	212 A
IPW(Z)65R065C7	650 V	PG-TO 247-3(4)	65 mΩ	33 A	145 A
IPW(Z)65R095C7	650 V	PG-TO 247-3(4)	95 mΩ	24 A	100 A
IPW65R125C7	650 V	PG-TO 247	125 mΩ	18 A	75 A
IPW65R190C7	650 V	PG-TO 247	190 mΩ	13 A	49 A

For more options visit [www.infineon.com/MOSFET](http://www.infineon.com/MOSFET)

**Table 14 Infineons RAPID 1 diode**

Part Number	Voltage level	Package	VF @ 25°C max	IF @ 100°C max	IF @ 25°C max
IDW30E65D1	650 V	PG-TO247-3	1.7 V (IF=30 A)	30 A	60 A
IDW40E65D1(E)	650 V	PG-TO247-3(-AI)	1.7 V (IF=40 A)	40 A	80 A
IDW60C65D1	650 V	PG-TO247-3	1.7 V (IF=30 A)	30 A	60 A
IDW80C65D1	650 V	PG-TO247-3	1.7 V (IF=40 A)	40 A	80 A

For more options visit [www.infineon.com/rapiddiodes](http://www.infineon.com/rapiddiodes)

**Recommended related products**

**Table 15 Infineon's CIPOS™Mini IPM with integrated PFC Stage**

<b>Part Number</b>	<b>Voltage level</b>	<b>Type</b>	<b>Package</b>	<b>IC @ 25°C max (inverter IGBT)</b>	<b>PFC Working frequency</b>
IFCM15S60GD	600 V	PFC and 3-phase inverter	Mini DCB	15 A	20 kHz
IFCM15P60GD	600 V	PFC and 3-phase inverter	Mini DCB	15 A	40 kHz
IFCM10S60GD	600 V	PFC and 3-phase inverter	Mini DCB	10 A	20 kHz
IFCM10P60GD	600 V	PFC and 3-phase inverter	Mini DCB	10 A	40 kHz

For more options visit [www.infineon.com/IPM](http://www.infineon.com/IPM)

## References

### **6**                    **References**

1. [1] Datasheet of 1ED44176N01F, Rev 1.0

Revision history

## 7 Revision history

Major changes since the last revision

Version number	Revision Date	Revision description
1.0	2018-05-15	Initial version

**Trademarks**

All referenced product or service names and trademarks are the property of their respective owners.

**Published by**  
**Infineon Technologies AG**  
**81726 Munich, Germany**

**© 2018 Infineon Technologies AG.**  
**All Rights Reserved.**

**Do you have a question about this document?**

**Email: [erratum@infineon.com](mailto:erratum@infineon.com)**

**Document reference**

**IMPORTANT NOTICE**

The information contained in this application note is given as a hint for the implementation of the product only and shall in no event be regarded as a description or warranty of a certain functionality, condition or quality of the product. Before implementation of the product, the recipient of this application note must verify any function and other technical information given herein in the real application. Infineon Technologies hereby disclaims any and all warranties and liabilities of any kind (including without limitation warranties of non-infringement of intellectual property rights of any third party) with respect to any and all information given in this application note.

The data contained in this document is exclusively intended for technically trained staff. It is the responsibility of customer's technical departments to evaluate the suitability of the product for the intended application and the completeness of the product information given in this document with respect to such application.

For further information on the product, technology, delivery terms and conditions and prices please contact your nearest Infineon Technologies office ([www.infineon.com](http://www.infineon.com)).

Please note that this product is not qualified according to the AEC Q100 or AEC Q101 documents of the Automotive Electronics Council.

**WARNINGS**

Due to technical requirements products may contain dangerous substances. For information on the types in question please contact your nearest Infineon Technologies office.

Except as otherwise explicitly approved by Infineon Technologies in a written document signed by authorized representatives of Infineon Technologies, Infineon Technologies' products may not be used in any applications where a failure of the product or any consequences of the use thereof can reasonably be expected to result in personal injury.



单击下面可查看定价，库存，交付和生命周期等信息

[>>Infineon\(英飞凌\)](#)