

# TLE9251V

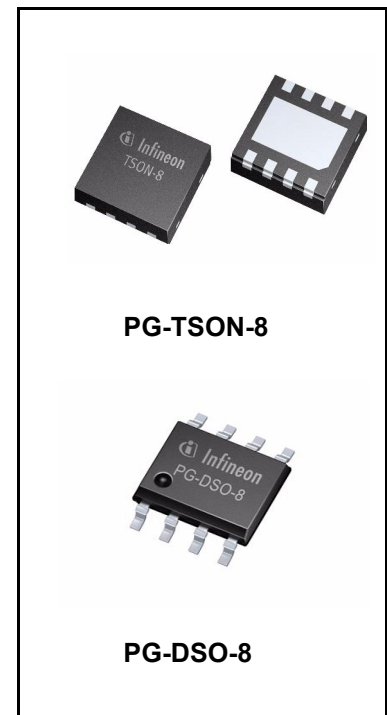
## High Speed CAN Transceiver



### 1 Overview

#### Features

- Fully compliant to ISO 11898-2 (2016) and SAE J2284-4/-5
- Reference device and part of Interoperability Test Specification for CAN Transceiver
- Guaranteed loop delay symmetry for CAN FD data frames up to 5 MBit/s
- Very low electromagnetic emission (EME) allows the use without additional common mode choke
- $V_{IO}$  input for voltage adaption to the  $\mu C$  interface (3.3V & 5V)
- Bus Wake-up Pattern (WUP) function with optimized filter time (0.5 $\mu s$  - 1.8 $\mu s$ ) for worldwide OEM usage
- Stand-by mode with minimized quiescent current
- Transmitter supply  $V_{CC}$  can be turned off in Stand-by Mode for additional quiescent current savings
- Wake-up indication on the RxD output
- Wide common mode range for electromagnetic immunity (EMI)
- Excellent ESD robustness +/-8kV (HBM) and +/-11kV (IEC 61000-4-2)
- Extended supply range on the  $V_{CC}$  and  $V_{IO}$  supply
- CAN short circuit proof to ground, battery,  $V_{CC}$  and  $V_{IO}$
- TxD time-out function
- Very low CAN bus leakage current in power-down state
- Overtemperature protection
- Protected against automotive transients according ISO 7637 and SAE J2962-2 standards
- Green Product (RoHS compliant)
- Small, leadless TSON8 package designed for automated optical inspection (AOI)



#### Potential applications

- Gateway Modules
- Body Control Modules (BCM)
- Engine Control Unit (ECUs)

### Overview

## Product validation

Qualified for automotive applications. Product validation according to AEC-Q100.

## Description

Type	Package	Marking
TLE9251VLE	PG-TSON-8	9251V
TLE9251VSJ	PG-DSO-8	9251V

The TLE9251V is the latest Infineon high-speed CAN transceiver generation, used inside HS CAN networks for automotive and also for industrial applications. It is designed to fulfill the requirements of ISO 11898-2 (2016) physical layer specification and respectively also the SAE standards J1939 and J2284.

The TLE9251V is available in a PG-DSO-8 package and in a small, leadless PG-TSON-8 package. Both packages are RoHS compliant and halogen free. The PG-TSON-8 package supports the solder joint requirements for automated optical inspection (AOI).

As an interface between the physical bus layer and the HS CAN protocol controller, the TLE9251V protects the microcontroller against interferences generated inside the network. A very high ESD robustness and the perfect RF immunity allows the use in automotive applications without adding additional protection devices, like suppressor diodes for example.

While the transceiver TLE9251V is not supplied the bus is switched off and illustrates an ideal passive behavior with the lowest possible load to all other subscribers of the HS CAN network.

Based on the high symmetry of the CANH and CANL output signals, the TLE9251V provides a very low level of electromagnetic emission (EME) within a wide frequency range. The TLE9251V fulfills even stringent EMC test limits without additional external circuit, like a common mode choke for example.

The perfect transmitter symmetry combined with the optimized delay symmetry of the receiver enables the TLE9251V to support CAN FD data frames. Depending on the size of the network and the along coming parasitic effects the device supports bit rates up to 5 MBit/s.

Dedicated low-power modes, like Stand-by mode provide very low quiescent currents while the device is powered up. In Stand-by mode the typical quiescent current on  $V_{IO}$  is below 10  $\mu$ A while the device can still be woken up by a bus signal on the HS CAN bus.

Fail-safe features like overtemperature protection, output current limitation or the TxD time-out feature protect the TLE9251V and the external circuitry from irreparable damage.

## Table of contents

<b>1</b>	<b>Overview</b> .....	<b>1</b>
	<b>Features</b> .....	<b>1</b>
	<b>Potential applications</b> .....	<b>1</b>
	<b>Product validation</b> .....	<b>2</b>
	<b>Description</b> .....	<b>2</b>
	<b>Table of contents</b> .....	<b>3</b>
<b>2</b>	<b>Block diagram</b> .....	<b>4</b>
<b>3</b>	<b>Pin configuration</b> .....	<b>5</b>
3.1	Pin assignment .....	5
3.2	Pin definitions .....	5
<b>4</b>	<b>General product characteristics</b> .....	<b>6</b>
4.1	Absolute maximum ratings .....	6
4.2	Functional range .....	7
4.3	Thermal resistance .....	7
<b>5</b>	<b>High-speed CAN functional description</b> .....	<b>8</b>
5.1	High-speed CAN physical layer .....	8
<b>6</b>	<b>Modes of operation</b> .....	<b>10</b>
6.1	Normal-operating mode .....	11
6.2	Forced-receive-only mode .....	11
6.3	Stand-by mode .....	12
6.4	Power-down state .....	12
<b>7</b>	<b>Changing the mode of operation</b> .....	<b>13</b>
7.1	Power-up and power-down .....	13
7.2	Mode change by the STB pin .....	14
7.3	Mode changes by $V_{CC}$ undervoltage .....	15
7.4	Remote wake-up .....	16
<b>8</b>	<b>Fail safe functions</b> .....	<b>18</b>
8.1	Short circuit protection .....	18
8.2	Unconnected logic pins .....	18
8.3	TxD time-out function .....	18
8.4	Overtemperature protection .....	18
8.5	Delay time for mode change .....	19
<b>9</b>	<b>Electrical characteristics</b> .....	<b>20</b>
9.1	Functional device characteristics .....	20
9.2	Diagrams .....	25
<b>10</b>	<b>Application information</b> .....	<b>26</b>
10.1	ESD robustness according to IEC61000-4-2 .....	26
10.2	Application example .....	26
10.3	Voltage adaption to the microcontroller supply .....	27
10.4	Further application information .....	27
<b>11</b>	<b>Package outline</b> .....	<b>28</b>
<b>12</b>	<b>Revision history</b> .....	<b>29</b>

Block diagram

2 Block diagram

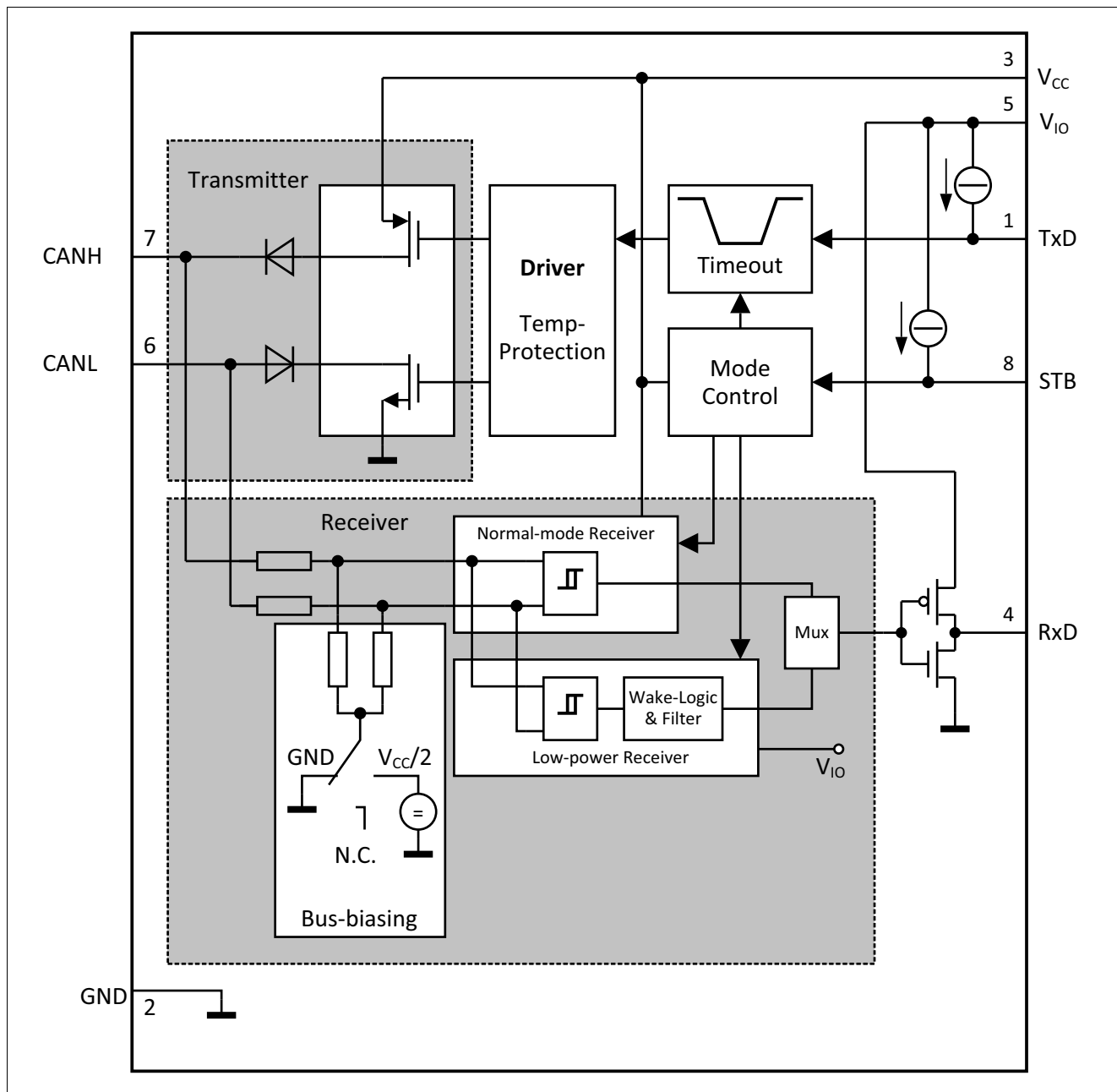


Figure 1 Functional block diagram

Pin configuration

### 3 Pin configuration

#### 3.1 Pin assignment

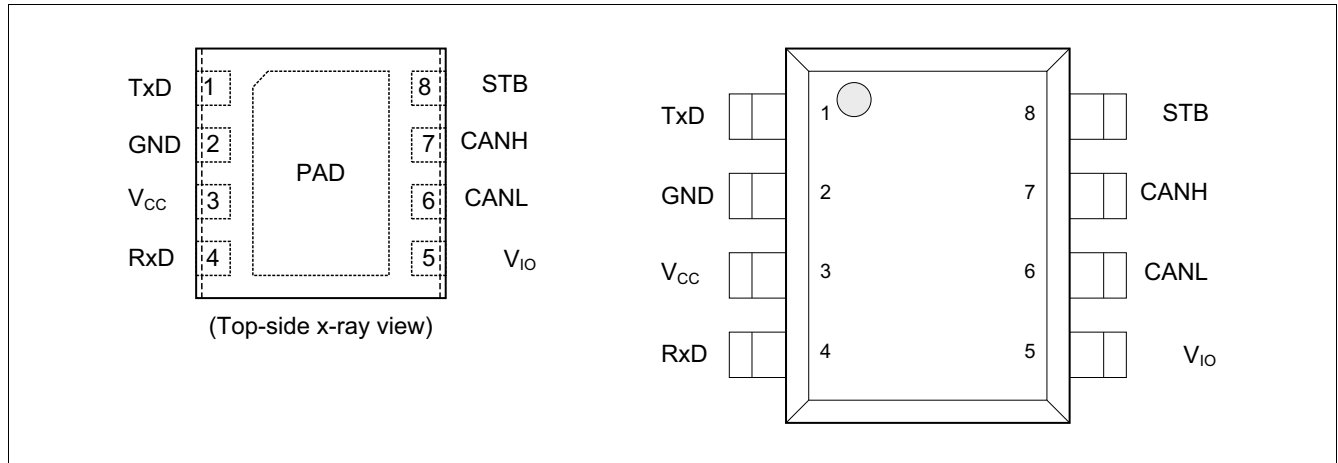


Figure 2 Pin configuration

#### 3.2 Pin definitions

Table 1 Pin definitions and functions

Pin No.	Symbol	Function
1	TxD	<b>Transmit Data Input;</b> Internal pull-up to $V_{IO}$ , “low” for dominant state.
2	GND	<b>Ground</b>
3	$V_{CC}$	<b>Transmitter Supply Voltage;</b> 100 nF decoupling capacitor to GND required, $V_{CC}$ can be turned off in stand-by mode.
4	RxD	<b>Receive Data Output;</b> “low” in dominant state.
5	$V_{IO}$	<b>Digital Supply Voltage;</b> Supply voltage input to adapt the logical input and output voltage levels of the transceiver to the microcontroller supply. Supply for the low-power receiver. 100 nF decoupling capacitor to GND required.
6	CANL	<b>CAN Bus Low Level I/O;</b> “low” in dominant state.
7	CANH	<b>CAN Bus High Level I/O;</b> “high” in dominant state.
8	STB	<b>Stand-by Input;</b> Internal pull-up to $V_{IO}$ , “low” for Normal-operating mode.
PAD	–	Connect to PCB heat sink area. Do not connect to other potential than GND.

General product characteristics

## 4 General product characteristics

### 4.1 Absolute maximum ratings

**Table 2 Absolute maximum ratings voltages, currents and temperatures<sup>1)</sup>**

All voltages with respect to ground; positive current flowing into pin;  
(unless otherwise specified)

Parameter	Symbol	Values			Unit	Note or Test Condition	Number
		Min.	Typ.	Max.			
<b>Voltages</b>							
Transmitter supply voltage	$V_{CC}$	-0.3	-	6.0	V	-	P_8.1.1
Digital supply voltage	$V_{IO}$	-0.3	-	6.0	V	-	P_8.1.2
CANH and CANL DC voltage versus GND	$V_{CANH}$	-40	-	40	V	-	P_8.1.3
Differential voltage between CANH and CANL	$V_{CAN\_Diff}$	-40	-	40	V	-	P_8.1.4
Voltages at the digital I/O pins: STB, RxD, TxD	$V_{MAX\_IO1}$	-0.3	-	6.0	V	-	P_8.1.5
Voltages at the digital I/O pins: STB, RxD, TxD	$V_{MAX\_IO2}$	-0.3	-	$V_{IO} + 0.3$	V	-	P_8.1.6
<b>Currents</b>							
RxD output current	$I_{RxD}$	-5	-	5	mA	-	P_8.1.7
<b>Temperatures</b>							
Junction temperature	$T_j$	-40	-	150	°C	-	P_8.1.8
Storage temperature	$T_S$	-55	-	150	°C	-	P_8.1.9
<b>ESD Resistivity</b>							
ESD immunity at CANH, CANL versus GND	$V_{ESD\_HBM\_CAN}$	-8	-	8	kV	HBM (100 pF via 1.5 kΩ) <sup>2)</sup>	P_8.1.11
ESD immunity at all other pins	$V_{ESD\_HBM\_ALL}$	-2	-	2	kV	HBM (100 pF via 1.5 kΩ) <sup>2)</sup>	P_8.1.12
ESD immunity all pins	$V_{ESD\_CDM}$	-750	-	750	V	CDM <sup>3)</sup>	P_8.1.13

1) Not subject to production test, specified by design

2) ESD susceptibility, Human Body Model "HBM" according to ANSI/ESDA/JEDEC JS-001

3) ESD susceptibility, Charge Device Model "CDM" according to EIA/JESD22-C101 or ESDA STM5.3.1

*Note: Stresses above the ones listed here may cause permanent damage to the device. Exposure to absolute maximum rating conditions for extended periods may affect device reliability. Integrated protection functions are designed to prevent IC destruction under fault conditions described in the data sheet. Fault conditions are considered as "outside" normal-operating range. Protection functions are not designed for continuous repetitive operation.*

General product characteristics

4.2 Functional range

Table 3 Functional range

Parameter	Symbol	Values			Unit	Note or Test Condition	Number
		Min.	Typ.	Max.			
<b>Supply Voltages</b>							
Transmitter supply voltage	$V_{CC}$	4.5	–	5.5	V	–	P_8.2.1
Digital supply voltage	$V_{IO}$	3.0	–	5.5	V	–	P_8.2.2
<b>Thermal Parameters</b>							
Junction temperature	$T_j$	-40	–	150	°C	<sup>1)</sup>	P_8.2.3

1) Not subject to production test, specified by design.

Note: Within the functional range the IC operates as described in the circuit description. The electrical characteristics are specified within the conditions given in the related electrical characteristics table.

4.3 Thermal resistance

Note: This thermal data was generated in accordance with JEDEC JESD51 standards. For more information, please visit [www.jedec.org](http://www.jedec.org).

Table 4 Thermal resistance<sup>1)</sup>

Parameter	Symbol	Values			Unit	Note or Test Condition	Number
		Min.	Typ.	Max.			
<b>Thermal Resistances</b>							
Junction to Ambient PG-TSON-8	$R_{thJA\_TSON8}$	–	65	–	K/W	<sup>2)</sup>	P_8.3.1
Junction to Ambient PG-DSO-8	$R_{thJA\_DSO8}$	–	120	–	K/W	<sup>2)</sup>	P_8.3.2

**Thermal Shutdown (junction temperature)**

Thermal shutdown temperature, rising	$T_{JSD}$	170	180	190	°C	temperature falling: Min. 150°C	P_8.3.3
Thermal shutdown hysteresis	$\Delta T$	5	10	20	K	–	P_8.3.4

1) Not subject to production test, specified by design

2) Specified  $R_{thJA}$  value is according to Jedec JESD51-2,-7 at natural convection on FR4 2s2p board. The product (TLE9251V) was simulated on a 76.2 x 114.3 x 1.5 mm board with 2 inner copper layers (2 x 70µm Cu, 2 x 35µm Cu)

High-speed CAN functional description

## 5 High-speed CAN functional description

HS CAN is a serial bus system that connects microcontrollers, sensors and actuators for real-time control applications. The use of the Controller Area Network (abbreviated CAN) within road vehicles is described by the international standard ISO 11898. According to the 7-layer OSI reference model the physical layer of a HS CAN bus system specifies the data transmission from one CAN node to all other available CAN nodes within the network. The physical layer specification of a CAN bus system includes all electrical specifications of a CAN network. The CAN transceiver is part of the physical layer specification. Several different physical layer standards of CAN networks have been developed in recent years. The TLE9251V is a high-speed CAN transceiver with a dedicated bus wake-up function as defined in the latest ISO 11898-2 HS CAN standard.

### 5.1 High-speed CAN physical layer

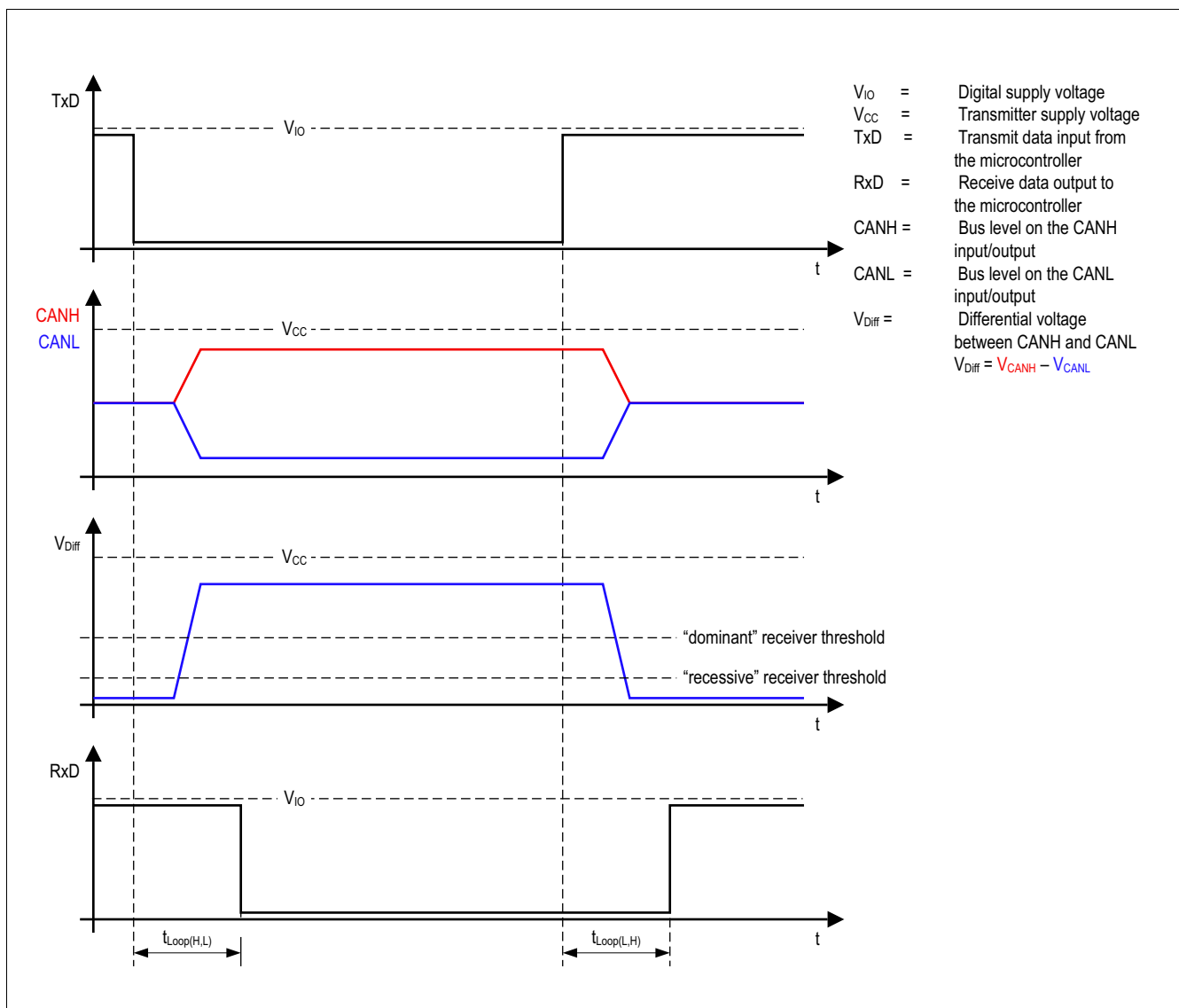


Figure 3 High-speed CAN bus signals and logic signals



### High-speed CAN functional description

The TLE9251V is a high-speed CAN transceiver, operating as an interface between the CAN controller and the physical bus medium. A HS CAN network is a two wire, differential network which allows data transmission rates up to 5 MBit/s. The characteristic for a HS CAN network are the two signal states on the CAN bus: dominant and recessive (see [Figure 3](#)).

The CANH and CANL pins are the interface to the CAN bus and both pins operate as an input and output. The RxD and TxD pins are the interface to the microcontroller. The pin TxD is the serial data input from the CAN controller, the RxD pin is the serial data output to the CAN controller. As shown in [Figure 1](#), the HS CAN transceiver TLE9251V includes a receiver and a transmitter unit, allowing the transceiver to send data to the bus medium and monitor the data from the bus medium at the same time. The HS CAN transceiver TLE9251V converts the serial data stream which is available on the transmit data input TxD, into a differential output signal on the CAN bus, provided by the CANH and CANL pins. The receiver stage of the TLE9251V monitors the data on the CAN bus and converts them to a serial, single-ended signal on the RxD output pin. A logical “low” signal on the TxD pin creates a dominant signal on the CAN bus, followed by a logical “low” signal on the RxD pin (see [Figure 3](#)). The feature, broadcasting data to the CAN bus and listening to the data traffic on the CAN bus simultaneously is essential to support the bit-to-bit arbitration within CAN networks.

The voltage levels for HS CAN transceivers are defined in ISO 11898-2. Whether a data bit is dominant or recessive depends on the voltage difference between the CANH and CANL pins:

$$V_{\text{Diff}} = V_{\text{CANH}} - V_{\text{CANL}}$$

To transmit a dominant signal to the CAN bus the amplitude of the differential signal  $V_{\text{Diff}}$  is higher than or equal to 1.5 V. To receive a recessive signal from the CAN bus the amplitude of the differential  $V_{\text{Diff}}$  is lower than or equal to 0.5 V.

“Partially-supplied” high-speed CAN networks are those where the CAN bus nodes of one common network have different power supply conditions. Some nodes are connected to the common power supply, while other nodes are disconnected from the power supply and in power-down state. Regardless of whether the CAN bus subscriber is supplied or not, each subscriber connected to the common bus media must not interfere in the communication. The TLE9251V is designed to support “partially-supplied” networks. In power-down state, the receiver input resistors are switched off and the transceiver input has a high resistance.

For permanently supplied ECU's, the HS CAN transceiver TLE9251V provides a Stand-by mode. In Stand-by mode, the power consumption of the TLE9251V is optimized to a minimum, while the device is still able to recognize wake-up patterns on the CAN bus and signal the wake-up event to the external microcontroller.

The voltage level on the digital input TxD and the digital output RxD is determined by the power supply level at the  $V_{\text{IO}}$  pin. Depending on the voltage level at the  $V_{\text{IO}}$  pin, the signal levels on the logic pins (STB, TxD and RxD) are compatible with microcontrollers having a 5 V or 3.3 V I/O supply. Usually the digital power supply  $V_{\text{IO}}$  of the transceiver is connected to the I/O power supply of the microcontroller (see [Figure 18](#)).

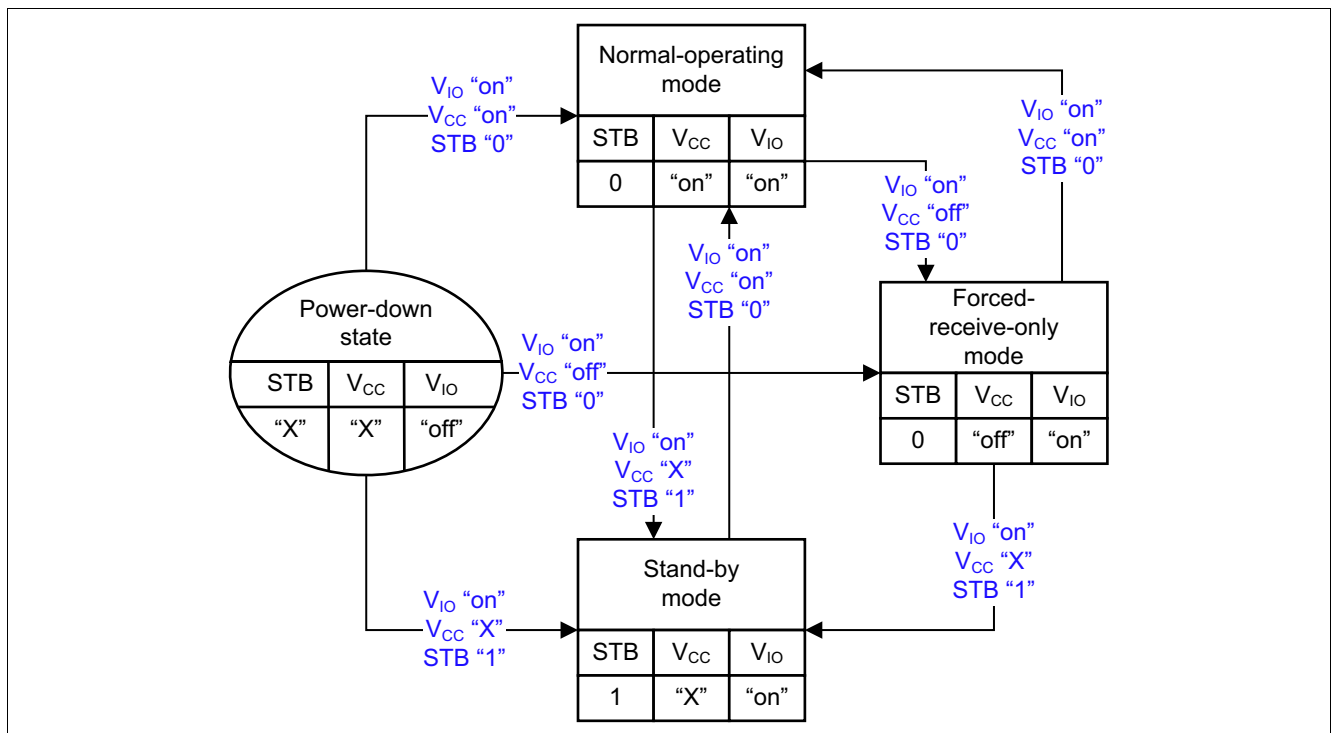
Modes of operation

## 6 Modes of operation

The TLE9251V supports three different modes of operation (see **Figure 4** and **Table 5**):

- Normal-operating mode
- Stand-by mode
- Forced-receive-only mode

Mode changes are either triggered by the mode selection input pin STB or by an undervoltage event on the transmitter supply  $V_{CC}$ . Wake-up events on the HS CAN bus are indicated on the RxD output pin in Stand-by mode, but no mode change is triggered by a wake-up event. An undervoltage event on the digital supply  $V_{IO}$  powers down the TLE9251V.



**Figure 4** Mode state diagram

**Table 5** Modes of operation

Mode	STB	$V_{IO}$	$V_{CC}$	Bus Bias	Transmitter	Normal-mode Receiver	Low-power Receiver
Normal-operating	"low"	"on"	"on"	$V_{CC}/2$	"on"	"on"	"off"
Forced-receive-only	"low"	"on"	"off"	GND	"off"	"on"	"off"
Stand-by	"high"	"on"	"X"	GND	"off"	"off"	"on"
Power-down state	"X"	"off"	"X"	floating	"off"	"off"	"off"

## Modes of operation

### 6.1 Normal-operating mode

In Normal-operating mode the transceiver TLE9251V sends and receives data from the HS CAN bus. All functions are active (see also [Figure 4](#) and [Table 5](#)):

- The transmitter is active and drives the serial data stream on the TxD input pin to the bus pins CANH and CANL.
- The normal-mode receiver is active and converts the signals from the bus to a serial data stream on the RxD output.
- The low-power receiver is turned off.
- The RxD output pin indicates the data received by the normal-mode receiver.
- The bus biasing is connected to  $V_{CC}/2$ .
- The STB input pin is active and changes the mode of operation.
- The TxD time-out function is enabled and disconnects the transmitter in case a time-out is detected.
- The overtemperature protection is enabled and disconnects the transmitter in case an overtemperature is detected.
- The undervoltage detection on  $V_{CC}$  is enabled and triggers a mode change to Forced-receive-only in case an undervoltage event is detected.
- The undervoltage detection on  $V_{IO}$  is enabled and powers down the device in case of detection.

Normal-operating mode is entered from Stand-by mode and Forced-receive-only mode, when the STB input pin is set to logical “low”.

Normal-operating mode can only be entered when all supplies are available:

- The transmitter supply  $V_{CC}$  is available ( $V_{CC} > V_{CC(UV,R)}$ ).
- The digital supply  $V_{IO}$  is available ( $V_{IO} > V_{IO(UV,R)}$ ).

### 6.2 Forced-receive-only mode

The Forced-receive-only mode is a fail-safe mode of the TLE9251V, which will be entered when the transmitter supply  $V_{CC}$  is not available and the STB pin is logical “low”. The following functions are available (see also [Figure 4](#) and [Table 5](#)):

- The transmitter is disabled and the data available on the TxD input is blocked.
- The normal-mode receiver is enabled.
- The low-power receiver is turned off.
- The RxD output pin indicates the data received by the normal-mode receiver.
- The bus biasing is connected to GND.
- The STB input pin is active and changes the mode of operation to Stand-by mode, if logical “high”.
- The TxD time-out function is disabled.
- The overtemperature protection is disabled.
- The undervoltage detection on  $V_{CC}$  is active.
- The undervoltage detection on  $V_{IO}$  is enabled and powers down the device in case of detection.
- Forced-receive-only mode is entered from power-down state if the STB input pin is set to logical “low” and the digital supply  $V_{IO}$  is available ( $V_{IO} > V_{IO(UV,R)}$ ).
- Forced-receive-only mode is entered from Normal-operating mode by an undervoltage event on the transmitter supply  $V_{CC}$ .

## Modes of operation

### 6.3 Stand-by mode

The Stand-by mode is the power save mode of the TLE9251V. In Stand-by mode most of the functions are turned off and the TLE9251V is monitoring the bus for a valid wake-up pattern (WUP). The following functions are available (see also [Figure 4](#) and [Table 5](#)):

- The transmitter is disabled and the data available on the TxD input is blocked.
- The normal-mode receiver is disabled.
- The low-power receiver is turned on and monitors the bus for a valid wake-up pattern (WUP).
- The RxD output pin follows the Bus signal after WUP detection.
- The bus biasing is connected to GND.
- The STB input pin is active and changes the mode of operation.
- The TxD time-out function is disabled.
- The overtemperature protection is disabled.
- The undervoltage detection on  $V_{CC}$  is disabled. In Stand-by mode the device can operate without the transmitter supply  $V_{CC}$ .
- The undervoltage detection on  $V_{IO}$  is enabled and powers down the device in case of detection.

The Stand-by mode can be entered from Normal-operating mode and Forced-receive-only mode by setting the STB pin to logical “high”.

To enter Stand-by mode the digital supply  $V_{IO}$  needs to be available ( $V_{IO} > V_{CC(UV,R)}$ ).

### 6.4 Power-down state

Independent of the transmitter supply  $V_{CC}$  and of the status at STB input pin the TLE9251V is powered down if the supply voltage  $V_{IO} < V_{IO(UV,F)}$  (see [Figure 4](#)).

In the power-down state the differential input resistors of the receiver are switched off. The CANH and CANL bus interface of the TLE9251V is floating and acts as a high-impedance input with a very small leakage current. The high-ohmic input does not influence the recessive level of the CAN network and allows an optimized EME performance of the entire HS CAN network. In power-down state the transceiver is an invisible node to the bus.

Changing the mode of operation

## 7 Changing the mode of operation

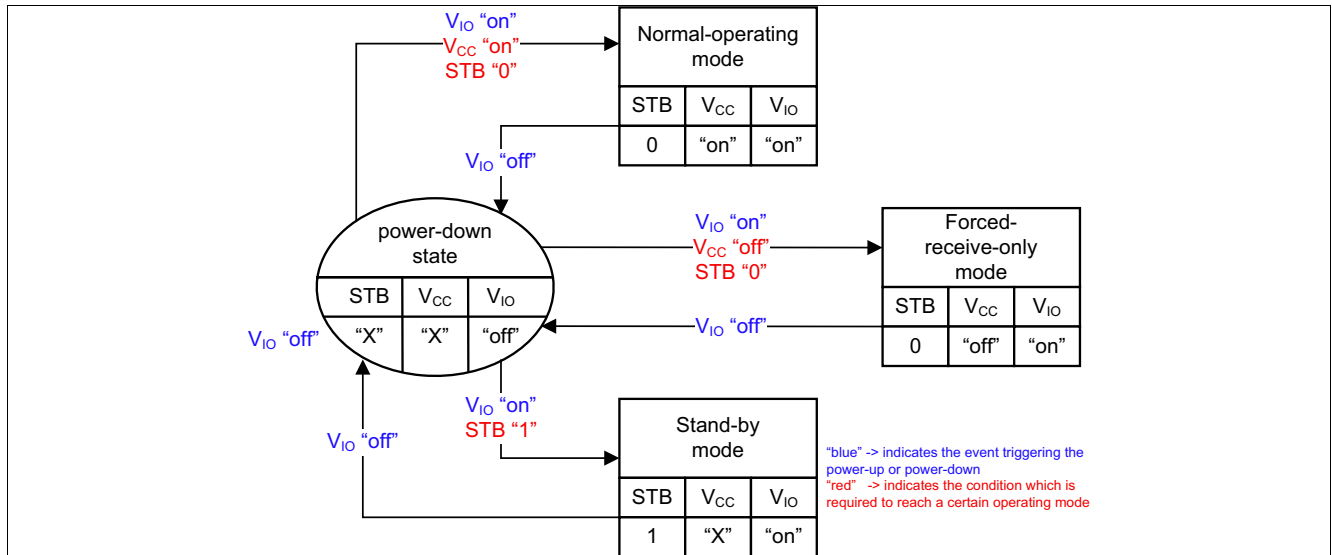
### 7.1 Power-up and power-down

The HS CAN transceiver TLE9251V powers up by applying the digital supply  $V_{IO}$  to the device ( $V_{IO} > V_{IO(U,R)}$ ). After powering up, the device enters one out of three operating modes (see **Figure 5** and **Figure 6**).

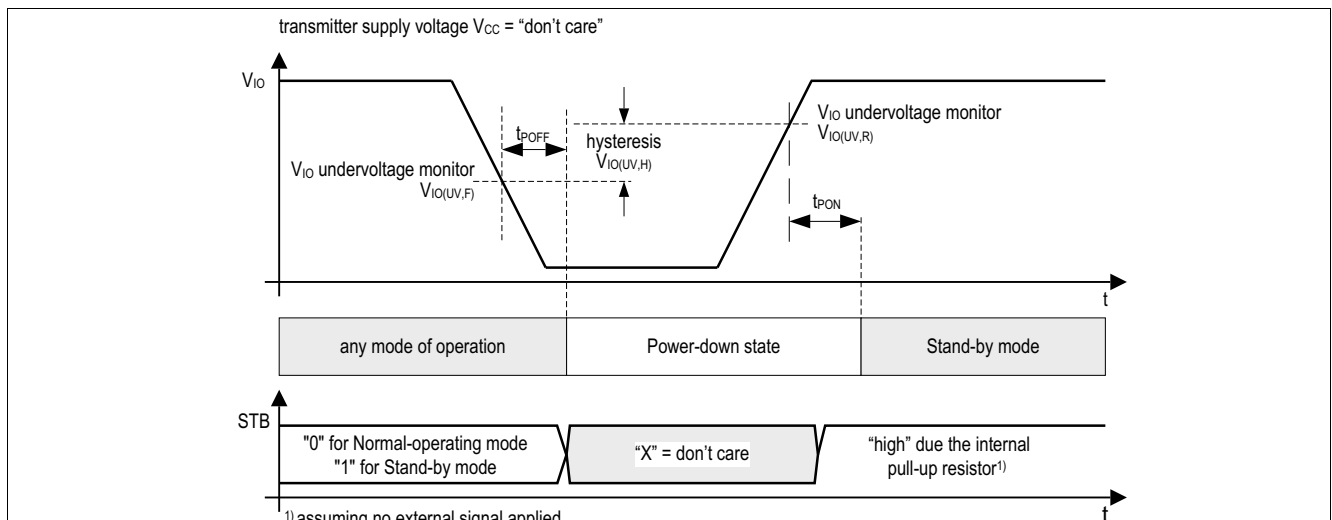
Depending on the condition of the transmitter supply voltage  $V_{CC}$  and the mode selection pin STB the device can enter every mode of operation after the power-up:

- $V_{CC}$  is available and STB input is set to “low” - Normal-operating mode
- $V_{CC}$  is disabled and the STB input is set to “low” - Forced-receive-only mode
- STB input is set to “high” - Stand-by mode

The device TLE9251V powers down when the  $V_{IO}$  supply falls below the undervoltage detection threshold ( $V_{IO} < V_{IO(U,F)}$ ), regardless if the transmitter supply  $V_{CC}$  is available or not. The power-down detection is active in every mode of operation.



**Figure 5 Power-up and power-down**



**Figure 6 Power-up and power-down timings**

Changing the mode of operation

7.2 Mode change by the STB pin

When the TLE9251V is supplied with the digital voltage  $V_{IO}$  the internal logic works and mode change by the mode selection pin STB is possible.

By default the STB input pin is logical “high” due to the internal pull-up current source to  $V_{IO}$ . Changing the STB input pin to logical “low” in Stand-by mode triggers a mode change to Normal-operating mode (see Figure 7). To enter Normal-operating mode the transmitter supply  $V_{CC}$  needs to be available.

Stand-by mode can be entered from Normal-operating mode and Forced-receive-only mode by setting the STB pin to logical “high”. While changing the mode of operation from Normal-operating mode or Forced-receive-only mode to Stand-by mode, the transceiver TLE9251V turns off the transmitter and switches from the normal-mode receiver to the low-power receiver. Entering Forced-receive-only mode from Stand-by mode is not possible by the STB pin. The device remains in Stand-by mode independently of the  $V_{CC}$  supply voltage.

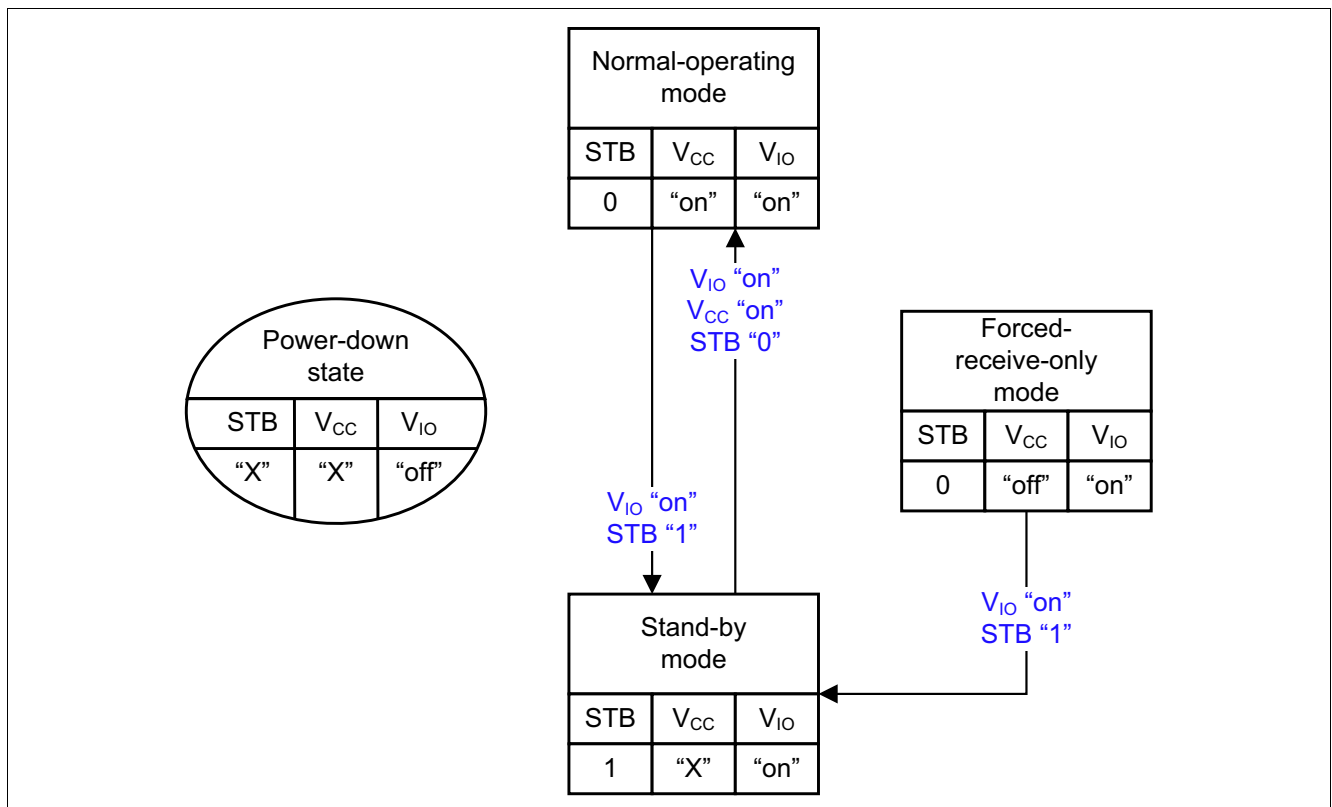


Figure 7 Mode selection by the STB pin

Changing the mode of operation

7.3 Mode changes by  $V_{CC}$  undervoltage

When the transmitter supply  $V_{CC}$  ( $V_{CC} < V_{CC(U/F)}$ ) is in undervoltage condition, the TLE9251V might not be able to provide the correct bus levels on the CANH and CANL output pins. To avoid any interference with the network the TLE9251V blocks the transmitter and changes the mode of operation when an undervoltage event is detected (see **Figure 8** and **Figure 9**).

In Normal-operating mode an undervoltage event on transmitter supply  $V_{CC}$  ( $V_{CC} < V_{CC(U/F)}$ ) triggers a mode change to Forced-receive-only mode.

In Forced-receive-only mode the undervoltage detection  $V_{CC}$  ( $V_{CC} < V_{CC(U/F)}$ ) is enabled. In Stand-by mode the undervoltage detection is disabled. In these modes the TLE9251V can operate without the transmitter supply  $V_{CC}$ .

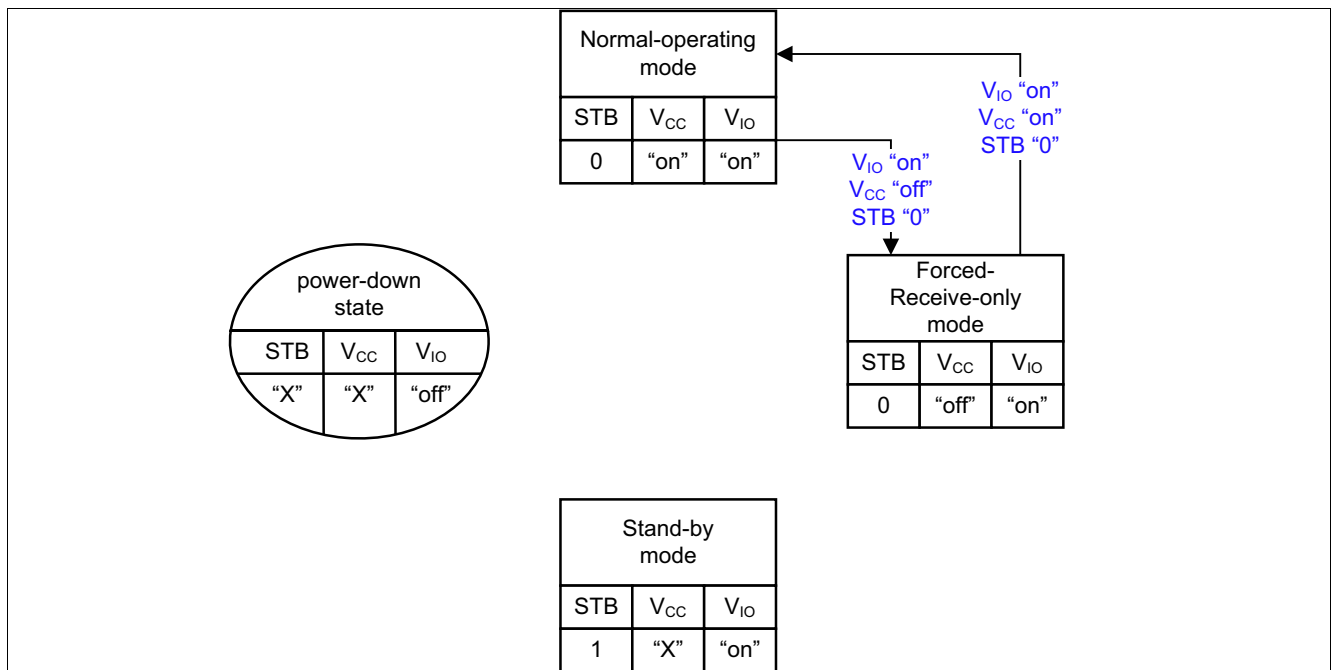


Figure 8 Mode changes by undervoltage events on  $V_{CC}$

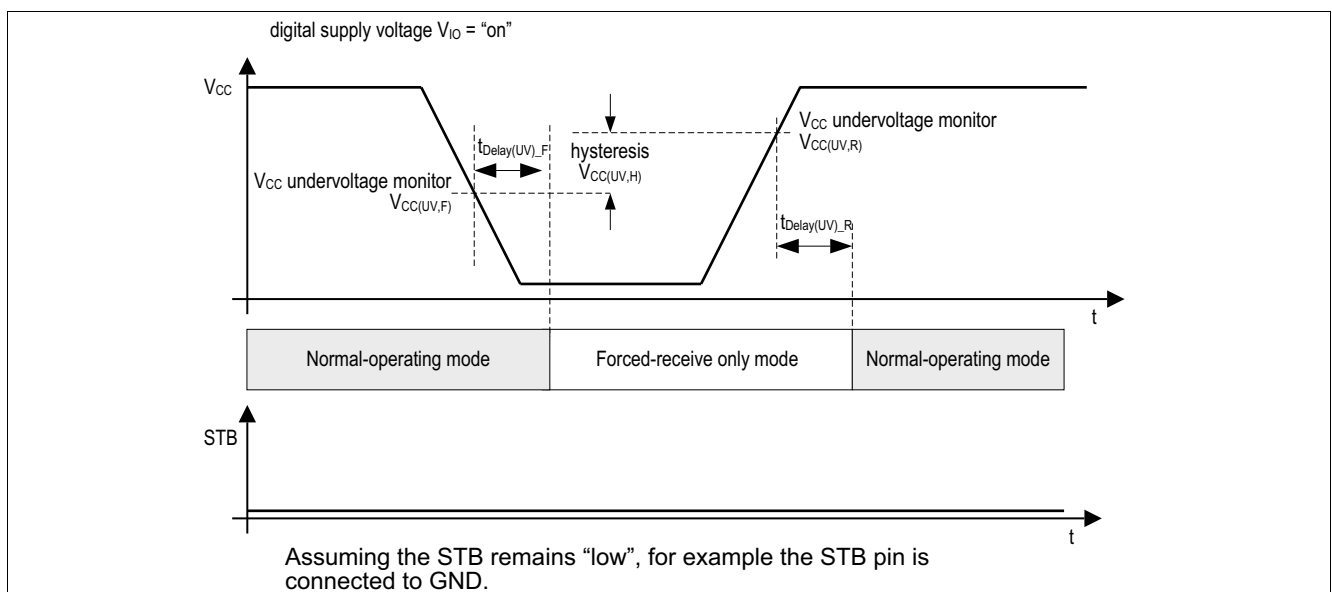


Figure 9 Undervoltage on the transmitter supply  $V_{CC}$

Changing the mode of operation

7.4 Remote wake-up

The TLE9251V has a remote wake-up feature also called bus wake-up feature according to the ISO 11898-2 (2016). In Stand-by mode the low-power receiver monitors the activity on the CAN bus and in case it detects a wake-up pattern it indicates the wake-up signal on the RxD output pin.

The low-power receiver is supplied by the digital supply  $V_{IO}$  and therefore in Stand-by mode the transmitter supply  $V_{CC}$  can be turned off.

In Stand-by mode a wake-up event on the HS CAN is flagged on the RxD output pin (see **Figure 11**). The transceiver remains in the currently selected mode of operation. No mode change is applied due to the wake-up event (see **Figure 10**).

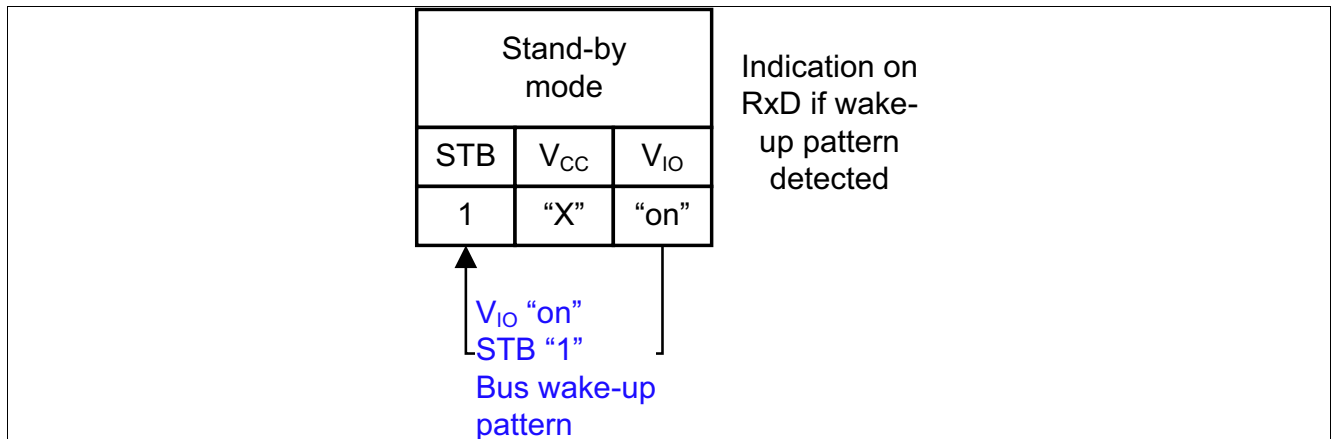


Figure 10 Remote wake-up

A bus wake-up is triggered by a dedicated valid wake-up pattern. The defined wake-up pattern avoids any false wake-up by spikes which might be on the HS CAN bus or by a permanent bus shortage.

The internal wake-up flag will be reset when:

- A mode change to Normal-operating mode is applied during the wake-up pattern.
- A power-down event occurs on the digital supply  $V_{IO}$ .

Within the maximum wake-up time  $t_{WAKE}$ , the wake-up pattern contains a dominant signal with the pulse width  $t_{Filter}$ , followed by a recessive signal with the pulse width  $t_{Filter}$  and another dominant signal with the pulse width  $t_{Filter}$  (see **Figure 11**). The RxD output remains logical "high" as long no wake-up event has been detected.



Changing the mode of operation

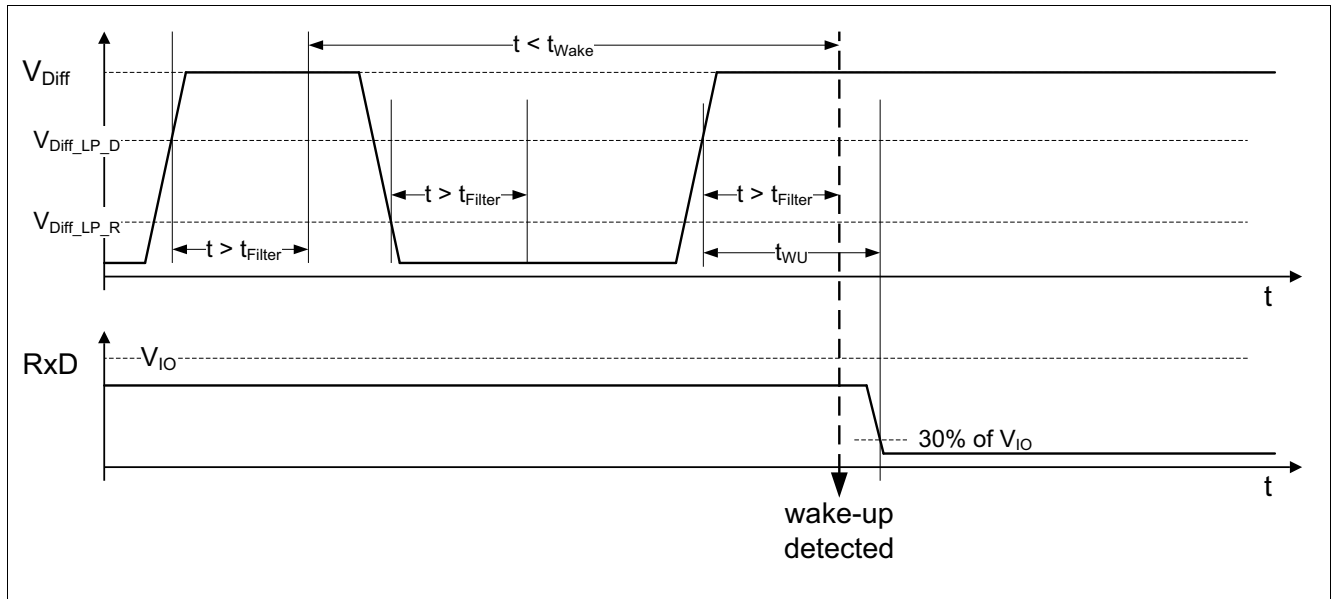


Figure 11 Remote wake-up signal

After a wake-up event has been detected the RxD output follows the CANH/CANL input pins. Dominant and recessive signals are indicated on the RxD output as logical “high” and “low” with the delay of  $t_{WU}$  as long their pulse width exceeds the filter time  $t_{Filter}$  (see also Figure 12).

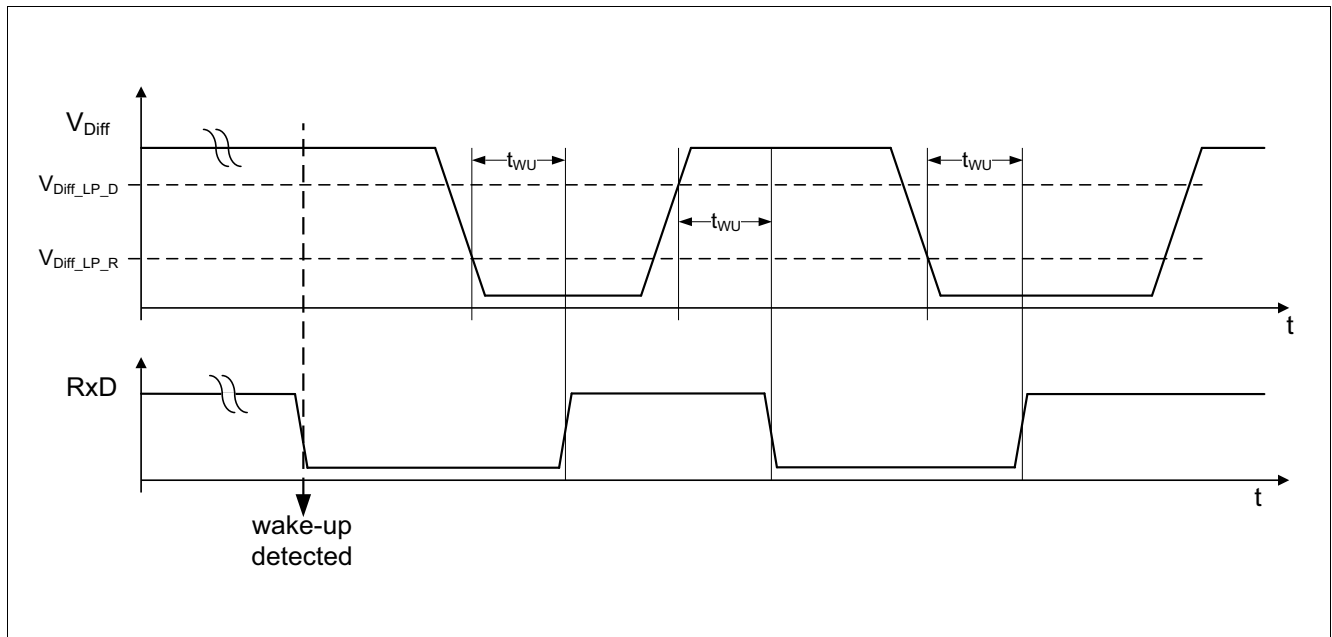


Figure 12 RxD signal after wake-up detection

## 8 Fail safe functions

### 8.1 Short circuit protection

The CANH and CANL bus pins are proven to cope with a short circuit fault against GND and against the supply voltages. A current limiting circuit protects the transceiver against damages. If the device is heating up due to a continuous short on the CANH or CANL, the internal overtemperature protection switches off the bus transmitter.

### 8.2 Unconnected logic pins

All logic input pins have an internal pull-up current source to  $V_{IO}$ . In case the  $V_{IO}$  and  $V_{CC}$  supply is activated and the logical pins are open, the TLE9251V enters into the Stand-by mode by default.

### 8.3 TxD time-out function

The TxD time-out feature protects the CAN bus against permanent blocking in case the logical signal on the TxD pin is continuously “low”. A continuous “low” signal on the TxD pin might have its root cause in a locked-up microcontroller or in a short circuit on the printed circuit board, for example.

In Normal-operating mode, a logical “low” signal on the TxD pin for the time  $t > t_{TxD}$  enables the TxD time-out feature and the TLE9251V disables the transmitter (see [Figure 13](#)). The receiver is still active and the data on the bus continues to be monitored by the RxD output pin.

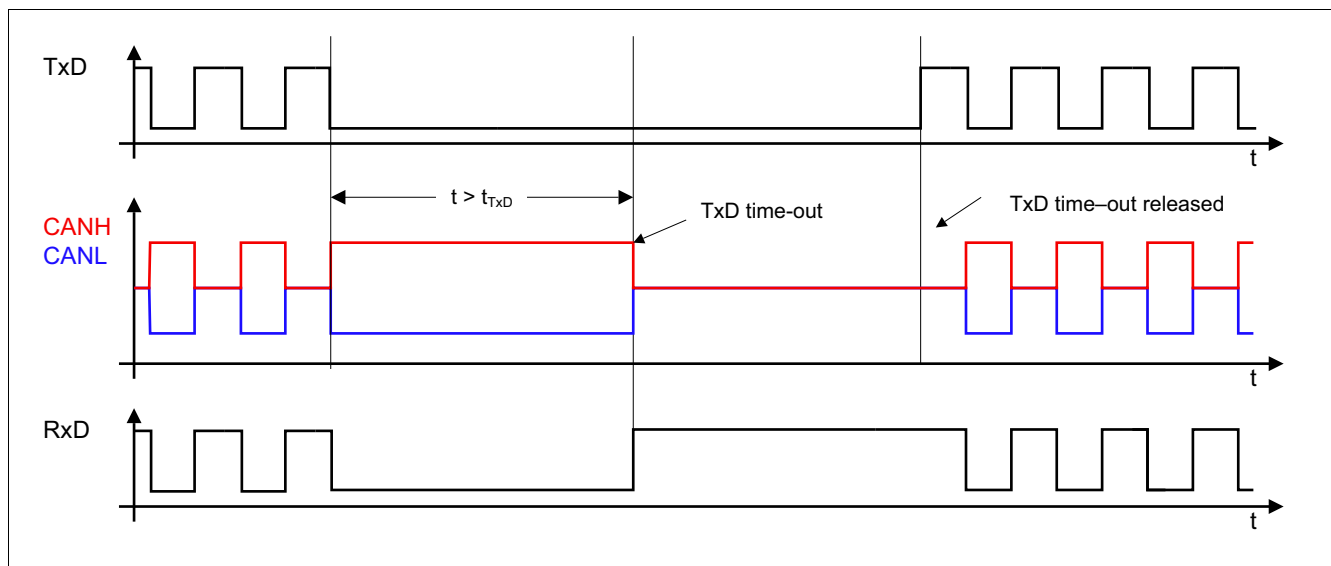


Figure 13 TxD time-out function

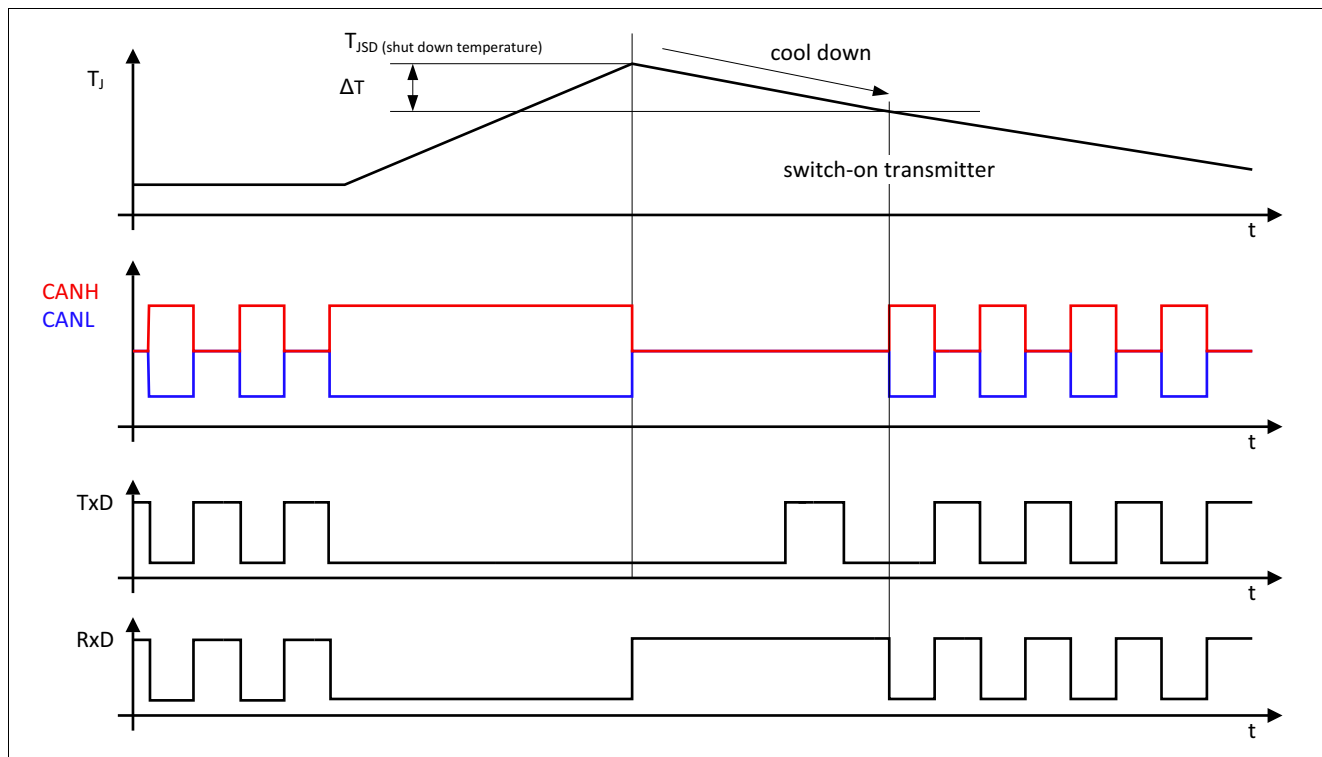
[Figure 13](#) illustrates how the transmitter is deactivated and activated again. A permanent “low” signal on the TxD input pin activates the TxD time-out function and deactivates the transmitter. To release the transmitter after a TxD time-out event, the TLE9251V requires a signal change on the TxD input pin from logical “low” to logical “high”.

### 8.4 Overtemperature protection

The TLE9251V has an integrated overtemperature detection to protect the TLE9251V against thermal overstress of the transmitter. The overtemperature protection is only active in Normal-operating mode. In

Fail safe functions

case of an overtemperature condition, the temperature sensor will disable the transmitter while the transceiver remains in Normal-operating mode. After the device has cooled down the transmitter is activated again (see **Figure 14**). A hysteresis is implemented within the temperature sensor.



**Figure 14** Overtemperature protection

**8.5 Delay time for mode change**

The HS CAN transceiver TLE9251V changes the mode of operation within the time window  $t_{Mode}$ . During the mode change from Stand-by mode to non-low power mode the RxD output pin is permanently set to logical “high” and does not reflect the status on the CANH and CANL input pins. After the mode change is completed, the transceiver TLE9251V releases the RxD output pin.

Electrical characteristics

## 9 Electrical characteristics

### 9.1 Functional device characteristics

**Table 6 Electrical characteristics**

$4.5\text{ V} < V_{CC} < 5.5\text{ V}$ ;  $3.0\text{ V} < V_{IO} < 5.5\text{ V}$ ;  $R_L = 60\ \Omega$ ;  $-40\text{ }^\circ\text{C} < T_j < 150\text{ }^\circ\text{C}$ ; all voltages with respect to ground; positive current flowing into pin; unless otherwise specified.

Parameter	Symbol	Values			Unit	Note or Test Condition	Number
		Min.	Typ.	Max.			
<b>Current Consumption</b>							
Current consumption at $V_{CC}$ Normal-operating, recessive state	$I_{CC\_R}$	–	2	4	mA	$V_{TXD} = V_{IO}$ ; $V_{STB} = 0\text{ V}$ ;	P_9.1.1
Current consumption at $V_{CC}$ Normal-operating mode, dominant state	$I_{CC\_D}$	–	38	48	mA	$V_{TXD} = V_{STB} = 0\text{ V}$ ;	P_9.1.2
Current consumption at $V_{IO}$ Normal-operating mode	$I_{IO}$	–	–	1.5	mA	$V_{STB} = 0\text{ V}$ ; $V_{Diff} = 0\text{ V}$ ; $V_{TXD} = V_{IO}$ ;	P_9.1.3
Current consumption at $V_{CC}$ Stand-by mode	$I_{CC(STB)}$	–	–	5	$\mu\text{A}$	$V_{TXD} = V_{STB} = V_{IO}$ ;	P_9.1.4
Current consumption at $V_{IO}$ Stand-by mode	$I_{IO(STB)}$	–	7	15	$\mu\text{A}$	$V_{TXD} = V_{STB} = V_{IO}$ ; $0\text{ V} < V_{CC} < 5.5\text{ V}$ ;	P_9.1.5
Current consumption at $V_{IO}$ Stand-by mode	$I_{IO(STB)\_85}$	–	–	12	$\mu\text{A}$	<sup>1)</sup> $V_{TXD} = V_{STB} = V_{IO}$ ; $T_j < 85^\circ\text{C}$ ; $0\text{ V} < V_{CC} < 5.5\text{ V}$ ;	P_9.1.6
Current consumption at $V_{CC}$ Forced-receive-only mode	$I_{CC(FROM)}$	–	–	1	mA	$V_{TXD} = V_{STB} = 0\text{ V}$ ; $0\text{ V} < V_{CC} < V_{CC(UV,F)}$ ; $V_{Diff} = 0\text{ V}$ ;	P_9.1.10
Current consumption at $V_{IO}$ Forced-receive-only mode	$I_{IO(FROM)}$	–	0.8	1.5	mA	$V_{TXD} = V_{STB} = 0\text{ V}$ ; $0\text{ V} < V_{CC} < V_{CC(UV,F)}$ ; $V_{Diff} = 0\text{ V}$ ;	P_9.1.11

#### Supply resets

$V_{CC}$ undervoltage monitor rising edge	$V_{CC(UV,R)}$	3.8	4.35	4.5	V	–	P_9.1.12
$V_{CC}$ undervoltage monitor falling edge	$V_{CC(UV,F)}$	3.8	4.25	4.5	V	–	P_9.1.13
$V_{CC}$ undervoltage monitor hysteresis	$V_{CC(UV,H)}$	–	100	–	mV	<sup>1)</sup>	P_9.1.14
$V_{IO}$ undervoltage monitor rising edge	$V_{IO(UV,R)}$	2.0	2.55	3.0	V	–	P_9.1.15
$V_{IO}$ undervoltage monitor falling edge	$V_{IO(UV,F)}$	2.0	2.4	3.0	V	–	P_9.1.16

**Electrical characteristics**

**Table 6 Electrical characteristics (cont'd)**

4.5 V < V<sub>CC</sub> < 5.5 V; 3.0 V < V<sub>IO</sub> < 5.5 V; R<sub>L</sub> = 60 Ω; -40 °C < T<sub>j</sub> < 150 °C; all voltages with respect to ground; positive current flowing into pin; unless otherwise specified.

Parameter	Symbol	Values			Unit	Note or Test Condition	Number
		Min.	Typ.	Max.			
V <sub>IO</sub> undervoltage monitor hysteresis	V <sub>IO(UV,H)</sub>	-	150	-	mV	<sup>1)</sup>	P_9.1.17
V <sub>CC</sub> undervoltage delay time	t <sub>Delay(UV)_F</sub> t <sub>Delay(UV)_R</sub>	-	-	30 100	μs	<sup>1)</sup> (see <b>Figure 9</b> );	P_9.1.18
V <sub>IO</sub> delay time power-up	t <sub>PON</sub>	-	-	280	μs	<sup>1)</sup> (see <b>Figure 6</b> );	P_9.1.19
V <sub>IO</sub> delay time power-down	t <sub>POFF</sub>	-	-	100	μs	<sup>1)</sup> (see <b>Figure 6</b> );	P_9.1.20

**Receiver output RxD**

“High” level output current	I <sub>RxD,H</sub>	-	-4	-1	mA	V <sub>RxD</sub> = V <sub>IO</sub> - 0.4 V; V <sub>Diff</sub> < 0.5 V;	P_9.1.21
“Low” level output current	I <sub>RxD,L</sub>	1	4	-	mA	V <sub>RxD</sub> = 0.4 V; V <sub>Diff</sub> > 0.9 V;	P_9.1.22

**Transmission input TxD**

“High” level input voltage threshold	V <sub>TxD,H</sub>	-	0.5 × V <sub>IO</sub>	0.7 × V <sub>IO</sub>	V	recessive state;	P_9.1.26
“Low” level input voltage threshold	V <sub>TxD,L</sub>	0.3 × V <sub>IO</sub>	0.4 × V <sub>IO</sub>	-	V	dominant state;	P_9.1.27
Input hysteresis	V <sub>HYS(TxD)</sub>	-	200	-	mV	<sup>1)</sup>	P_9.1.28
“High” level input current	I <sub>TxD,H</sub>	-2	-	2	μA	V <sub>TxD</sub> = V <sub>IO</sub> ;	P_9.1.29
“Low” level input current	I <sub>TxD,L</sub>	-200	-	-20	μA	V <sub>TxD</sub> = 0 V;	P_9.1.30
Input capacitance	C <sub>TxD</sub>	-	-	10	pF	<sup>1)</sup>	P_9.1.31
TxD permanent dominant time-out, optional	t <sub>TxD</sub>	1	-	4	ms	Normal-operating mode;	P_9.1.32

**stand-by input STB**

“High” level input voltage threshold	V <sub>STB,H</sub>	-	0.5 × V <sub>IO</sub>	0.7 × V <sub>IO</sub>	V	Stand-by mode;	P_9.1.36
“Low” level input voltage threshold	V <sub>STB,L</sub>	0.3 × V <sub>IO</sub>	0.4 × V <sub>IO</sub>	-	V	Normal-operating mode;	P_9.1.37
“High” level input current	I <sub>STB,H</sub>	-2	-	2	μA	V <sub>STB</sub> = V <sub>IO</sub> ;	P_9.1.38
“Low” level input current	I <sub>STB,L</sub>	-200	-	-20	μA	V <sub>STB</sub> = 0 V;	P_9.1.39
Input hysteresis	V <sub>HYS(STB)</sub>	-	200	-	mV	<sup>1)</sup>	P_9.1.42
Input capacitance	C <sub>(STB)</sub>	-	-	10	pF	<sup>1)</sup>	P_9.1.43

**Bus receiver**

Differential range dominant Normal-operating mode	V <sub>Diff_D_Range</sub>	0.9	-	8.0	V	-12 V ≤ V <sub>CMR</sub> ≤ 12 V;	P_9.1.46
Differential range recessive Normal-operating mode	V <sub>Diff_R_Range</sub>	-3.0	-	0.5	V	-12 V ≤ V <sub>CMR</sub> ≤ 12 V;	P_9.1.48

**Electrical characteristics**

**Table 6 Electrical characteristics (cont'd)**

4.5 V < V<sub>CC</sub> < 5.5 V; 3.0 V < V<sub>IO</sub> < 5.5 V; R<sub>L</sub> = 60 Ω; -40 °C < T<sub>j</sub> < 150 °C; all voltages with respect to ground; positive current flowing into pin; unless otherwise specified.

Parameter	Symbol	Values			Unit	Note or Test Condition	Number
		Min.	Typ.	Max.			
Differential receiver hysteresis Normal-operating mode	V <sub>Diff,hys</sub>		30		mV	<sup>1)</sup>	P_9.1.49
Differential range threshold dominant Stand-by mode	V <sub>Diff_D_STB_R</sub> ange	1.15	–	8.0	V	-12 V ≤ V <sub>CMR</sub> ≤ 12 V;	P_9.1.50
Differential range recessive Stand-by mode	V <sub>Diff_R_STB_R</sub> ange	-3.0	–	0.4	V	-12 V ≤ V <sub>CMR</sub> ≤ 12 V;	P_9.1.51
Common mode range	CMR	-12	–	12	V	–	P_9.1.52
Single ended internal resistance	R <sub>CAN,H</sub> , R <sub>CAN,L</sub>	6	–	50	kΩ	recessive state; -2 V ≤ V <sub>CANH</sub> ≤ 7 V; -2 V ≤ V <sub>CANL</sub> ≤ 7 V;	P_9.1.53
Differential internal resistance	R <sub>Diff</sub>	12	–	100	kΩ	recessive state; -2 V ≤ V <sub>CANH</sub> ≤ 7 V; -2 V ≤ V <sub>CANL</sub> ≤ 7 V;	P_9.1.54
Input resistance deviation between CANH and CANL	ΔR <sub>i</sub>	-3	–	3	%	<sup>1)</sup> recessive state; V <sub>CANH</sub> = V <sub>CANL</sub> = 5 V;	P_9.1.55
Input capacitance CANH, CANL versus GND	C <sub>In</sub>	–	20	40	pF	<sup>2)</sup> recessive state	P_9.1.56
Differential input capacitance	C <sub>InDiff</sub>	–	10	20	pF	<sup>2)</sup> recessive state	P_9.1.57

**Bus transmitter**

CANL, CANH recessive output voltage Normal-operating mode	V <sub>CANL,H</sub>	2.0	2.5	3.0	V	V <sub>TxD</sub> = V <sub>IO</sub> ; no load;	P_9.1.58
CANH, CANL recessive output voltage difference Normal-operating mode	V <sub>Diff_R_NM</sub> = V <sub>CANH</sub> - V <sub>CANL</sub>	-50	–	50	mV	V <sub>TxD</sub> = V <sub>IO</sub> ; no load;	P_9.1.59
CANL dominant output voltage Normal-operating mode	V <sub>CANL</sub>	0.5	–	2.25	V	V <sub>TxD</sub> = 0 V; 50 Ω < R <sub>L</sub> < 65 Ω; 4.75 V < V <sub>CC</sub> < 5.25 V;	P_9.1.60
CANH dominant output voltage Normal-operating mode	V <sub>CANH</sub>	2.75	–	4.5	V	V <sub>TxD</sub> = 0 V; 50 Ω < R <sub>L</sub> < 65 Ω; 4.75 V < V <sub>CC</sub> < 5.25 V;	P_9.1.61
Differential voltage dominant Normal-operating mode V <sub>Diff</sub> = V <sub>CANH</sub> - V <sub>CANL</sub>	V <sub>Diff_D_NM</sub>	1.5	2.0	2.5	V	V <sub>TxD</sub> = 0 V; 50 Ω < R <sub>L</sub> < 65 Ω; 4.75 V < V <sub>CC</sub> < 5.25 V;	P_9.1.62
Differential voltage dominant extended bus load Normal-operating mode	V <sub>Diff_EXT_BL</sub>	1.4	2.0	3.3	V	V <sub>TxD</sub> = 0 V; 45 Ω < R <sub>L</sub> < 70 Ω; 4.75 V < V <sub>CC</sub> < 5.25 V;	P_9.1.63

**Electrical characteristics**

**Table 6 Electrical characteristics (cont'd)**

4.5 V < V<sub>CC</sub> < 5.5 V; 3.0 V < V<sub>IO</sub> < 5.5 V; R<sub>L</sub> = 60 Ω; -40 °C < T<sub>j</sub> < 150 °C; all voltages with respect to ground; positive current flowing into pin; unless otherwise specified.

Parameter	Symbol	Values			Unit	Note or Test Condition	Number
		Min.	Typ.	Max.			
Differential voltage dominant high extended bus load Normal-operating mode	V <sub>Diff_HEXT_BL</sub>	1.5	–	5.0	V	V <sub>TxD</sub> = 0 V; R <sub>L</sub> = 2240 Ω; 4.75 V < V <sub>CC</sub> < 5.25 V; static behavior; <sup>1)</sup>	P_9.1.64
CANH, CANL recessive output voltage difference Stand-by mode	V <sub>Diff_STB</sub>	-0.2	–	0.2	V	no load;	P_9.1.65
CANL, CANH recessive output voltage Stand-by mode	V <sub>CANL,H</sub>	-0.1	–	0.1	V	no load;	P_9.1.66
Driver symmetry (V <sub>SYM</sub> = V <sub>CANH</sub> + V <sub>CANL</sub> )	V <sub>SYM</sub>	0.9 × V <sub>CC</sub>	1.0 × V <sub>CC</sub>	1.1 × V <sub>CC</sub>	V	<sup>1) 3)</sup> C <sub>1</sub> = 4.7 nF;	P_9.1.67
CANL short circuit current	I <sub>CANLsc</sub>	40	75	115	mA	V <sub>CANLshort</sub> = 18 V; t < t <sub>TxD</sub> ; V <sub>TxD</sub> = 0 V;	P_9.1.68
CANH short circuit current	I <sub>CANHsc</sub>	-115	-75	-40	mA	V <sub>CANHshort</sub> = -3 V; t < t <sub>TxD</sub> ; V <sub>TxD</sub> = 0 V;	P_9.1.70
Leakage current, CANH	I <sub>CANH,lk</sub>	-5	–	5	μA	V <sub>CC</sub> = V <sub>IO</sub> = 0 V; 0 V < V <sub>CANH</sub> ≤ 5 V; V <sub>CANH</sub> = V <sub>CANL</sub> ;	P_9.1.71
Leakage current, CANL	I <sub>CANL,lk</sub>	-5	–	5	μA	V <sub>CC</sub> = V <sub>IO</sub> = 0 V; 0 V < V <sub>CANL</sub> ≤ 5 V; V <sub>CANH</sub> = V <sub>CANL</sub> ;	P_9.1.72
CANH, CANL output voltage difference slope, recessive to dominant	V <sub>diff_slope_rd</sub>	–	–	70	V/μs	<sup>1)</sup> 30 % to 70 % of measured differential bus voltage; C <sub>2</sub> = 100 pF; R <sub>L</sub> = 60 Ω; 4.75 V < V <sub>CC</sub> < 5.25 V;	P_9.1.190
CANH, CANL output voltage difference slope, dominant to recessive	V <sub>diff_slope_dr</sub>	–	–	70	V/μs	<sup>1)</sup> 70 % to 30 % of measured differential bus voltage; C <sub>2</sub> = 100 pF; R <sub>L</sub> = 60 Ω; 4.75 V < V <sub>CC</sub> < 5.25 V;	P_9.1.191
<b>Dynamic CAN-transceiver characteristics</b>							
Propagation delay TxD-to-RxD	t <sub>Loop</sub>	80	–	215	ns	C <sub>1</sub> = 0 pF; C <sub>2</sub> = 100 pF; C <sub>RxD</sub> = 15 pF; (see <b>Figure 16</b> )	P_9.1.73

Electrical characteristics

**Table 6 Electrical characteristics (cont'd)**

4.5 V < V<sub>CC</sub> < 5.5 V; 3.0 V < V<sub>IO</sub> < 5.5 V; R<sub>L</sub> = 60 Ω; -40 °C < T<sub>j</sub> < 150 °C; all voltages with respect to ground; positive current flowing into pin; unless otherwise specified.

Parameter	Symbol	Values			Unit	Note or Test Condition	Number
		Min.	Typ.	Max.			
Propagation delay increased load TxD-to-RxD	t <sub>Loop_150</sub>	80	–	330	ns	<sup>1)</sup> C <sub>1</sub> = 0 pF; C <sub>2</sub> = 100 pF; C <sub>RxD</sub> = 15 pF; R <sub>L</sub> = 150 Ω;	P_9.1.74

**Delay Times**

Delay time for mode change	t <sub>Mode</sub>	–	–	20	μs	<sup>1)</sup>	P_9.1.79
CAN activity filter time	t <sub>Filter</sub>	0.5	–	1.8	μs	<sup>1)</sup> (see <a href="#">Figure 11</a> );	P_9.1.81
Bus wake-up time-out	t <sub>Wake</sub>	0.8	–	10	ms	<sup>1)</sup> (see <a href="#">Figure 11</a> );	P_9.1.82
Bus wake-up delay time	t <sub>WU</sub>	–	–	5	μs	(see <a href="#">Figure 11</a> );	P_9.1.83

**CAN FD characteristics**

Received recessive bit width at 2 MBit/s	t <sub>Bit(RxD)_2M</sub>	400	500	550	ns	C <sub>2</sub> = 100 pF; C <sub>RxD</sub> = 15 pF; t <sub>Bit</sub> = 500 ns; (see <a href="#">Figure 17</a> );	P_9.1.84
Received recessive bit width at 5 MBit/s	t <sub>Bit(RxD)_5M</sub>	120	200	220	ns	C <sub>2</sub> = 100 pF; C <sub>RxD</sub> = 15 pF; t <sub>Bit</sub> = 200 ns; (see <a href="#">Figure 17</a> );	P_9.1.85
Transmitted recessive bit width at 2 MBit/s	t <sub>Bit(Bus)_2M</sub>	435	500	530	ns	C <sub>2</sub> = 100 pF; C <sub>RxD</sub> = 15 pF; t <sub>Bit</sub> = 500 ns; (see <a href="#">Figure 17</a> );	P_9.1.86
Transmitted recessive bit width at 5 MBit/s	t <sub>Bit(Bus)_5M</sub>	155	200	210	ns	C <sub>2</sub> = 100 pF; C <sub>RxD</sub> = 15 pF; t <sub>Bit</sub> = 200 ns; (see <a href="#">Figure 17</a> );	P_9.1.87
Receiver timing symmetry at 2 MBit/s Δt <sub>Rec_2M</sub> = t <sub>Bit(RxD)_2M</sub> - t <sub>Bit(Bus)_2M</sub>	Δt <sub>Rec_2M</sub>	-65	–	40	ns	C <sub>2</sub> = 100 pF; C <sub>RxD</sub> = 15 pF; t <sub>Bit</sub> = 500 ns; (see <a href="#">Figure 17</a> );	P_9.1.88
Receiver timing symmetry at 5 MBit/s Δt <sub>Rec_5M</sub> = t <sub>Bit(RxD)_5M</sub> - t <sub>Bit(Bus)_5M</sub>	Δt <sub>Rec_5M</sub>	-45	–	15	ns	C <sub>2</sub> = 100 pF; C <sub>RxD</sub> = 15 pF; t <sub>Bit</sub> = 200 ns; (see <a href="#">Figure 17</a> );	P_9.1.89

- 1) Not subject to production test, specified by design
- 2) Not subject to production test, specified by design, S2P-Method; f = 10 MHz
- 3) VSYM shall be observed during dominant and recessive state and also during the transition from dominant to recessive and vice versa, while TxD is stimulated by a square wave signal with a frequency of 1 MHz.



Electrical characteristics

9.2 Diagrams

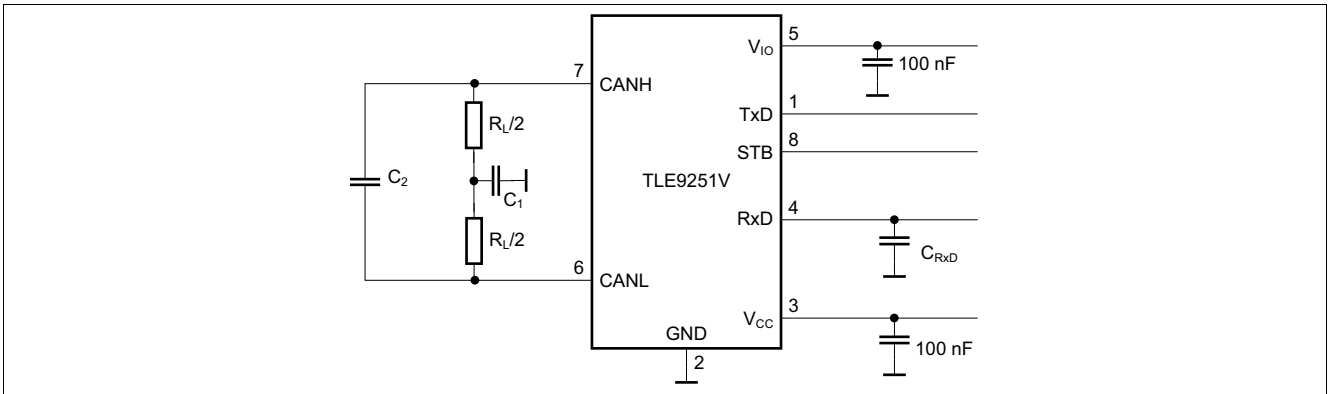


Figure 15 Test circuit for dynamic characteristics

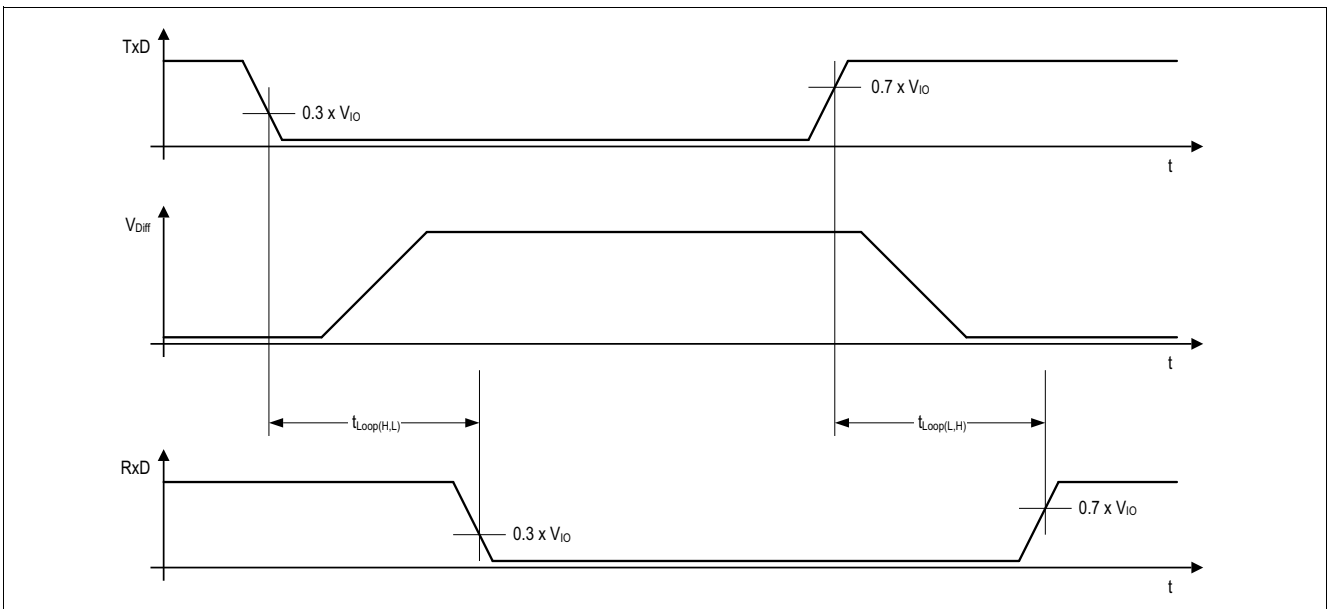


Figure 16 Timing diagrams for dynamic characteristics

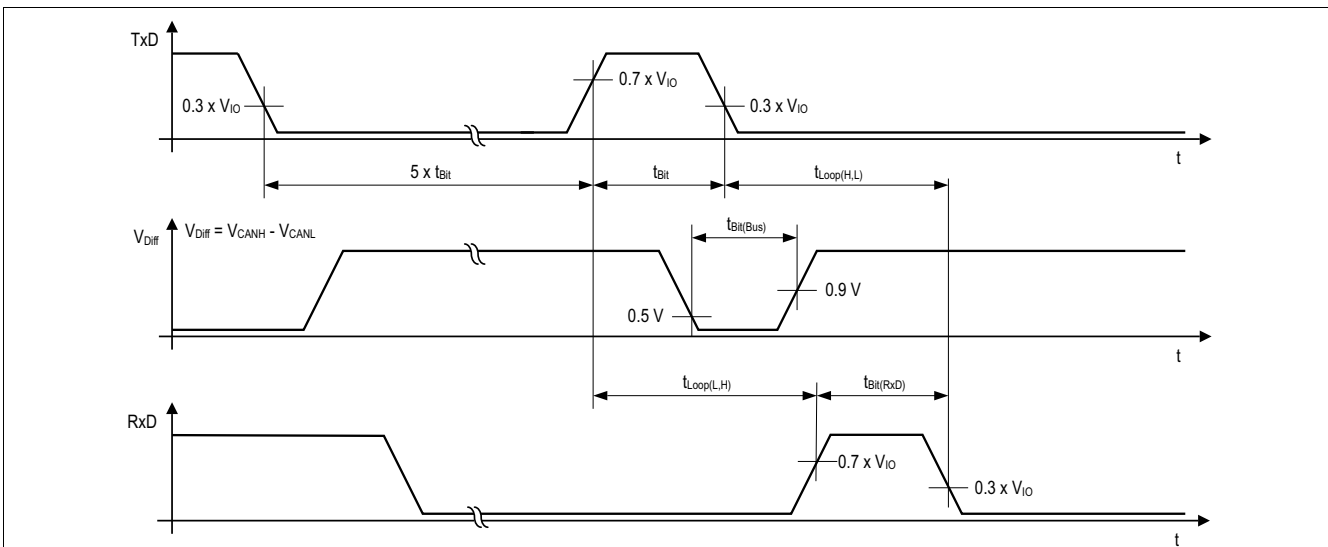


Figure 17 Recessive bit time for five dominant bits followed by one recessive bit

Application information

## 10 Application information

### 10.1 ESD robustness according to IEC61000-4-2

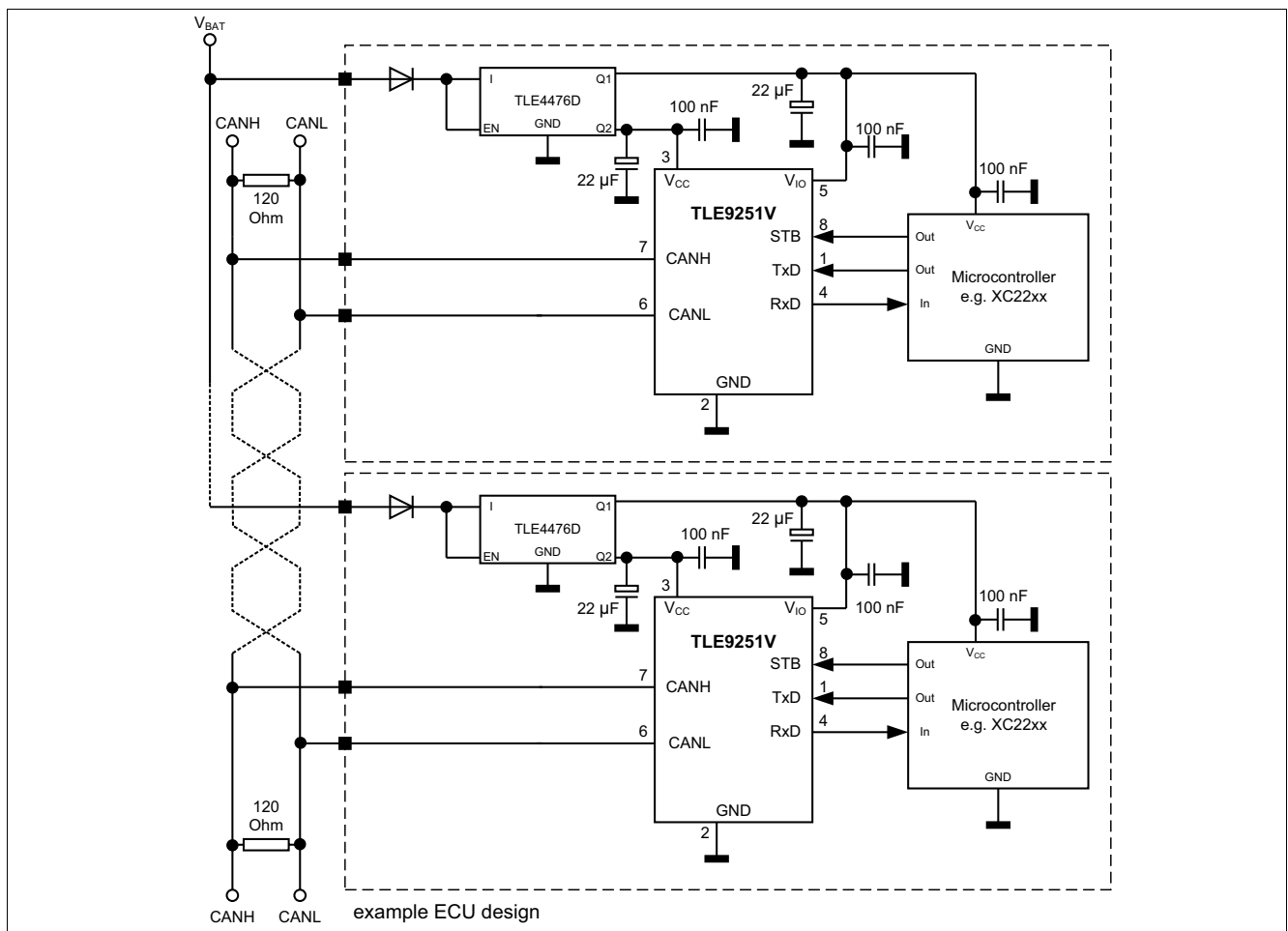
Tests for ESD robustness according to IEC61000-4-2 “Gun test” (150 pF, 330 Ω) have been performed. The results and test conditions are available in a separate test report.

**Table 7 ESD robustness according to IEC61000-4-2**

Performed Test	Result	Unit	Remarks
Electrostatic discharge voltage at pin CANH and CANL versus GND	≥ +11	kV	<sup>1)</sup> Positive pulse
Electrostatic discharge voltage at pin CANH and CANL versus GND	≤ -11	kV	<sup>1)</sup> Negative pulse

1) Not subject to production test. ESD susceptibility “ESD GUN” according to GIFT / ICT paper: “EMC Evaluation of CAN Transceivers, version IEC TS62228”, section 4.3. (DIN EN61000-4-2)  
Tested by external test facility (IBEE Zwickau, EMC test report Nr. 01-07-2017 and Nr. 06-08-17)

### 10.2 Application example



**Figure 18 Application circuit**

**Application information**

**10.3 Voltage adaption to the microcontroller supply**

To adapt the digital input and output levels of the TLE9251V to the I/O levels of the microcontroller, connect the power supply pin  $V_{IO}$  to the microcontroller voltage supply (see **Figure 18**).

*Note:* In case no dedicated digital supply voltage  $V_{IO}$  is required in the application, connect the digital supply voltage  $V_{IO}$  to the transmitter supply  $V_{CC}$ .

**10.4 Further application information**

- For further information you may visit: <http://www.infineon.com/automotive-transceiver>

Package outline

11 Package outline

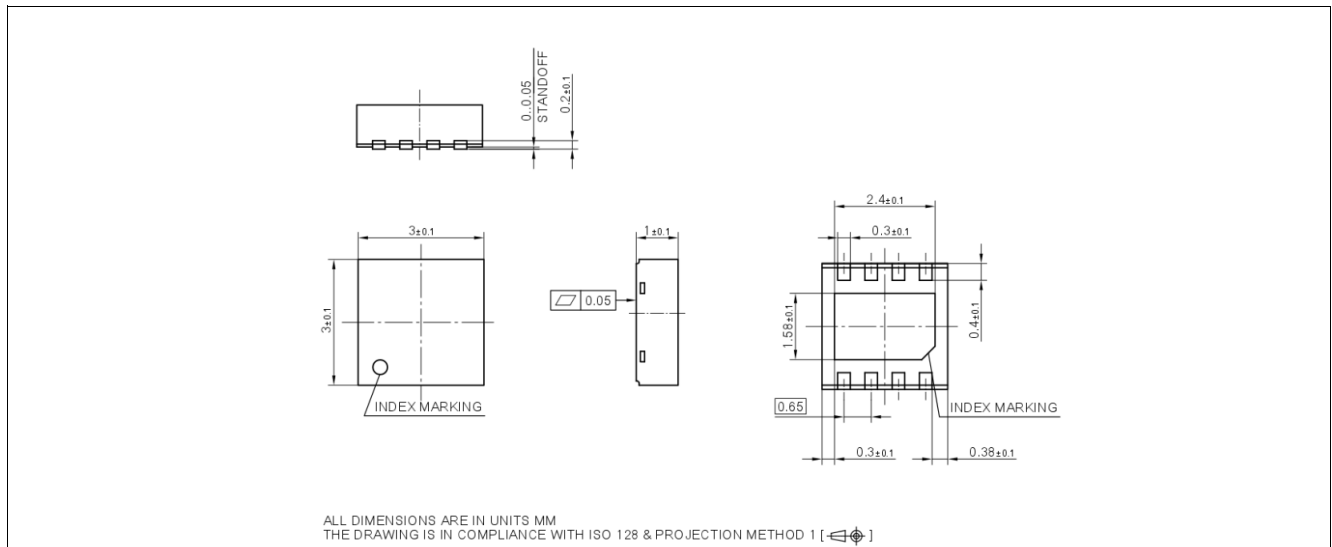


Figure 19 PG-TSON-8 (Plastic Thin Small Outline Nonleaded)

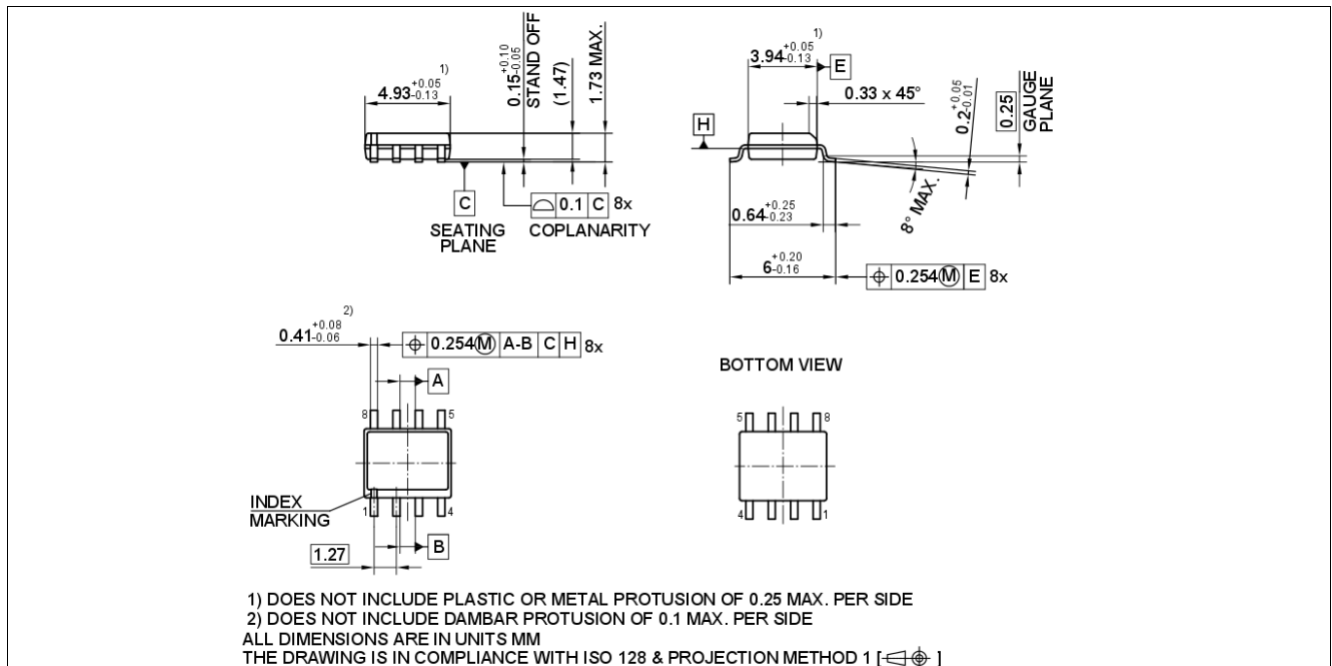


Figure 20 PG-DSO-8 (Plastic Dual Small Outline)

Green product (RoHS compliant)

To meet the world-wide customer requirements for environmentally friendly products and to be compliant with government regulations the device is available as a green product. Green products are RoHS compliant (i.e. Pb-free finish on leads and suitable for Pb-free soldering according to IPC/JEDEC J-STD-020).

For further information on alternative packages, please visit our website:  
<http://www.infineon.com/packages>.

Dimensions in mm

Revision history

## 12 Revision history

Revision	Date	Changes
1.11	2019-09-19	<p>Datasheet updated:</p> <ul style="list-style-type: none"> <li>• Editorial changes</li> <li>• Updated bus transmitter table <ul style="list-style-type: none"> <li>– added P_9.1.190 and P_9.1.191 (no product change)</li> <li>– tightened P_9.1.59 and P_9.1.62</li> <li>– tightened P_9.1.56 and P_9.1.57 by additional footnote</li> </ul> </li> <li>• Updated dynamic CAN-transceiver characteristics table <ul style="list-style-type: none"> <li>– tightened P_9.1.73</li> </ul> </li> </ul>
1.1	2018-05-23	<p>Datasheet updated:</p> <ul style="list-style-type: none"> <li>• <math>I_{CC\_D}</math> max. lowered from 60mA to 48mA (see <a href="#">P_9.1.2</a>)</li> <li>• Extended temperature condition <math>T_j &lt; 150^\circ\text{C}</math> (see <a href="#">P_9.1.5</a>)</li> <li>• Introduced new Stand-by Mode current consumption for <math>V_{IO} t &lt; 85^\circ\text{C}</math>: max. 12<math>\mu\text{A}</math> (see <a href="#">P_9.1.6</a>)</li> <li>• <math>t_{\text{Delay(UV)}}</math> divided in <math>t_{\text{Delay(UV)_F}}</math> (max. 30<math>\mu\text{s}</math>) and <math>t_{\text{Delay(UV)_R}}</math> (max. 100<math>\mu\text{s}</math>) (see <a href="#">P_9.1.18</a> and <a href="#">Figure 9</a>)</li> <li>• Updated <a href="#">Figure 16</a>. Removed unspecified parameters <math>t_{d(L),T}</math>, <math>t_{d(L),R}</math>, <math>t_{d(H),T}</math>, <math>t_{d(H),R}</math>.</li> <li>• Editorial Changes</li> </ul>
1.0	2017-09-14	Datasheet created

## Trademarks

All referenced product or service names and trademarks are the property of their respective owners.

**Edition 2019-09-19**

**Published by**

**Infineon Technologies AG**

**81726 Munich, Germany**

**© 2019 Infineon Technologies AG.**

**All Rights Reserved.**

**Do you have a question about any aspect of this document?**

**Email: [erratum@infineon.com](mailto:erratum@infineon.com)**

**Document reference**

**Z8F53400891**

## IMPORTANT NOTICE

The information given in this document shall in no event be regarded as a guarantee of conditions or characteristics ("Beschaffenhheitsgarantie").

With respect to any examples, hints or any typical values stated herein and/or any information regarding the application of the product, Infineon Technologies hereby disclaims any and all warranties and liabilities of any kind, including without limitation warranties of non-infringement of intellectual property rights of any third party.

In addition, any information given in this document is subject to customer's compliance with its obligations stated in this document and any applicable legal requirements, norms and standards concerning customer's products and any use of the product of Infineon Technologies in customer's applications.

The data contained in this document is exclusively intended for technically trained staff. It is the responsibility of customer's technical departments to evaluate the suitability of the product for the intended application and the completeness of the product information given in this document with respect to such application.

For further information on technology, delivery terms and conditions and prices, please contact the nearest Infineon Technologies Office ([www.infineon.com](http://www.infineon.com)).

## WARNINGS

Due to technical requirements products may contain dangerous substances. For information on the types in question please contact your nearest Infineon Technologies office.

Except as otherwise explicitly approved by Infineon Technologies in a written document signed by authorized representatives of Infineon Technologies, Infineon Technologies' products may not be used in any applications where a failure of the product or any consequences of the use thereof can reasonably be expected to result in personal injury.

单击下面可查看定价，库存，交付和生命周期等信息

[>>Infineon\(英飞凌\)](#)