

Digital control kit

KIT_3KW_2LLC_DI_CTRL

Di Domenico Francesco (IFAT PMM ACDC AE)
Florian Zechner (IFAT PMM ACDC AE)

Downloaded From [Oneyac.com](https://www.oneyac.com)



Digital control kit KIT_3KW_2LLC_DI_CTRL for EVAL_3KW_2LLC_xx boards



**Ordering code:
KIT_3KW_2LLC_DI_CTRL**

This adapter kit is intended for use when replacing the former card by a 1:1 similar version, in case something happened to your original one. The kit offers Infineon's XMC4400 microcontroller ARM® Cortex®.

Board components

- › XMC™ microcontroller (XMC4400-F64K512 AB)
- › Linear voltage regulator (IFX1763XEJ V33)
- › Silicon Schottky diode (BAS 52-02V)

To be used with the following boards

- › EVAL_3KW_2LLC_P6_220
- › EVAL_3KW_2LLC_P6_247
- › EVAL_3KW_2LLC_C7_20
- › EVAL_3KW_2LLC_C7_47
- › EVAL_3KW_2LLC_P7_47
- › EVAL_3KW_2LLC_CFD7



Product features

BAS 52-02V

- > Silicon Schottky diode
- > Medium current rectifier Schottky diode
- > Low forward voltage at 200 mA
- > High reverse voltage
- > Pb-free (RoHS compliant) package1)
- > Qualified according AEC Q101

IFX1763XEJ V33

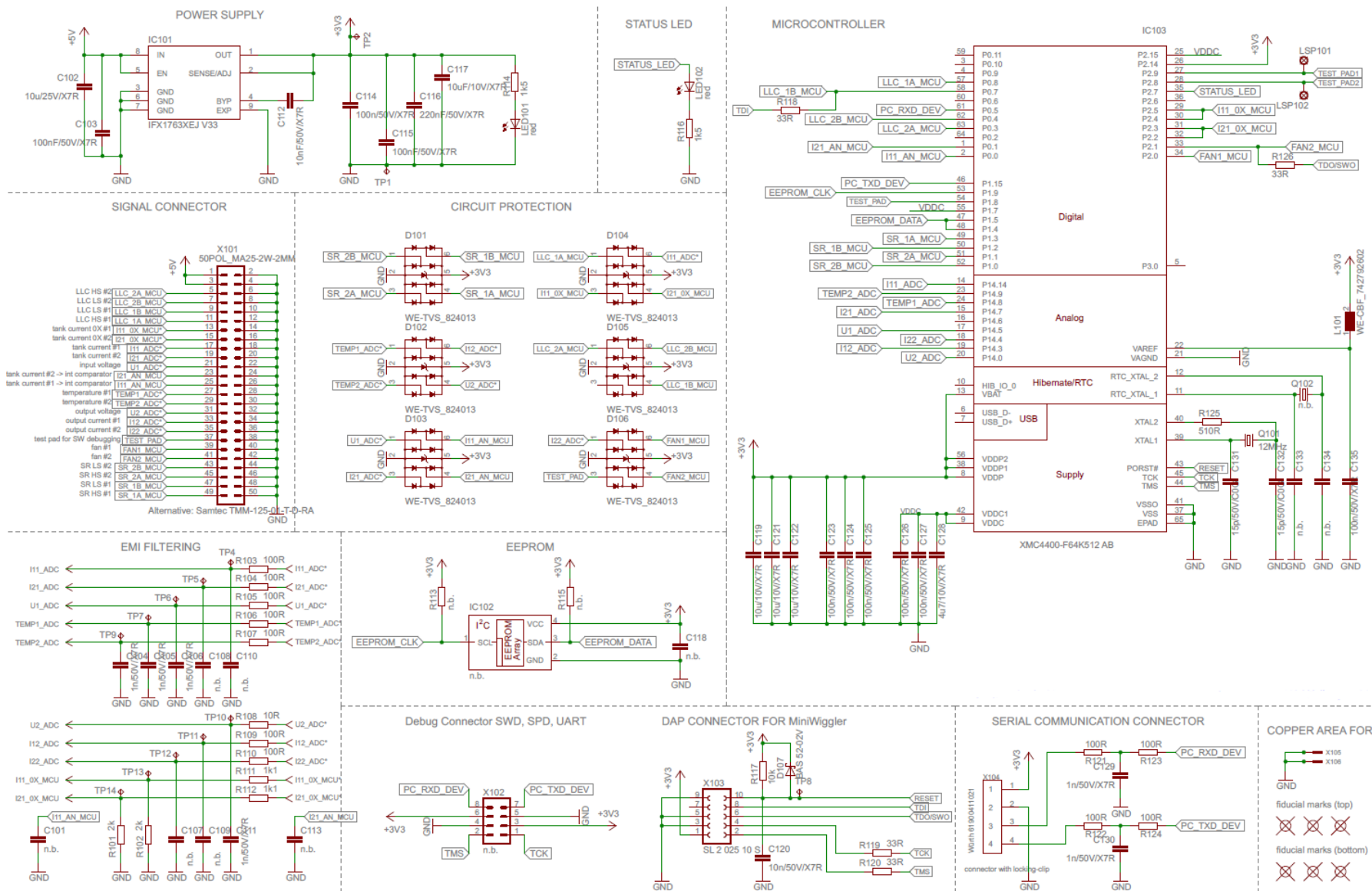
- > Low noise down to 30 μ VRMS (BW=10 Hz to 100 kHz)
- > Low quiescent current: 30 μ A
- > Very low Shutdown Current: <1 μ A
- > No Protection Diodes Needed
- > 500mA Current Capability

XMC4400-F64K512 AB

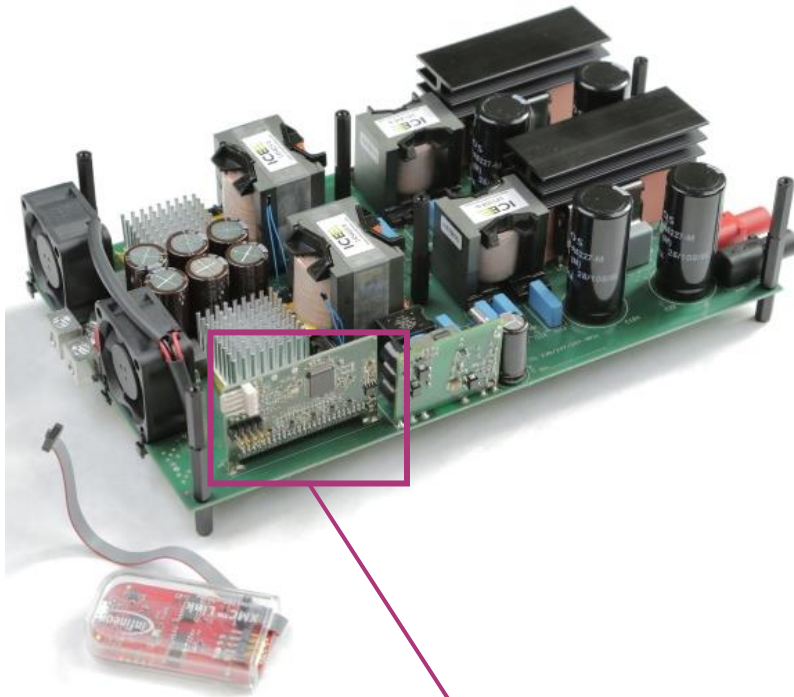
- > ARM[®] Cortex[®]-M4, 120 MHz, incl. single cycle DSP MAC and floating point unit (FPU)
- > 8-channel DMA + dedicated DMAs for USB and Ethernet
- > USB 2.0 full-speed on-the-go
- > CPU frequency: 120 MHz
- > eFlash: 256 kB including hardware ECC
- > 80 kB SRAM
- > Package: PG-LQFP-100



Schematic



Base board EVAL_3KW_2LLC_xx with control card KIT_3KW_2LLC_DI_CTRL



Digital control card:
KIT_3KW_2LLC_DI_CTRL

Ordering code of the main board:

EVAL_3KW_2LLC_C7
EVAL_3KW_2LLC_P7
EVAL_3KW_2LLC_CFD7

Infineon's **3KW 2LLC** boards showcase how to design a half-bridge LLC stage of a server SMPS with the target to meet 80+ Titanium standard efficiency requirements. The **KIT_3KW_2LLC_DI_CTRL** can be used with any of Infineon's EVAL_3KW_2LLC_XX boards, replacing the original by that 1:1 card.

Application note and general description:

- › [Evaluation board EVAL 3KW 2LLC C7](#)
- › [General description EVAL 3KW 2LLC](#)



Technical Material

- > Application Notes
- > Simulation Models
- > Datasheets
- > PCB Design Data

- > Evaluation boards
 - [EVAL_3KW_2LLC_C7](#)
 - [EVAL_3KW_2LLC_P7](#)

Evaluation Boards

- > Evaluation Boards
- > Demoboards
- > Reference Designs

- > www.infineon.com/evaluationboards

Videos

- > Technical Videos
- > Product Information Videos

- > www.infineon.com/mediacenter

Support Online tools and services



- 1 **Subscribe to Newsletter**
- 2 **Where to Buy**
- 3 **Tools, Finders and Selectors**
- 4 **Support**

- Products
- Applications
- Tools
- Support** (4)
- Technology

- Power
- Automotive System IC
- ESD & EMI
- Microcontroller
- RF & Wireless Control
- Security IC
- Sensor
- Smart Card IC
- Interface
- Transistor & Diode

- Power Overview
- Power MOSFET
- IGBT
- Smart Low-Side & High-Side Switches
- Linear Voltage Regulator
- DC-DC Converter
- LED Driver | Lighting ICs
- Silicon Carbide (SiC)
- High Power Thyristors & Diodes
- Motor Control & Gate Driver
- AC-DC Supply

News & Tweets



Part of your life. Part of tomorrow.



单击下面可查看定价，库存，交付和生命周期等信息

[>>Infineon\(英飞凌\)](#)