

# 1ED44173N01B

## Single-channel low-side MOSFET gate driver IC with fast OCP

### Features

- Over-current detection (OCP) with negative voltage input
- -0.246 V over-current threshold with accurate  $\pm 5\%$  tolerance
- Single pin for fault output and enable
- Programmable fault clear time
- Under voltage lockout for MOSFETs
- CMOS Schmitt-triggered inputs
- 3.3 V, 5 V and 15 V input logic compatible
- 25 V  $V_{CC}$  voltage supply support (max)
- Output in phase with input
- -10 V<sub>DC</sub> negative Input capability of OCP pin
- 3 kV ESD HBM
- RoHS compliant

### Potential applications

- Digitally controlled PFC
- Home appliances
- Air conditioner
- Industrial applications
- General purpose low-side gate driver for single-ended topologies



### Description

The 1ED44173N01B is a low-voltage, power MOSFET non-inverting gate driver. Proprietary latch immune CMOS technologies enable ruggedized monolithic construction. The logic input is compatible with standard CMOS or LSTTL output. The output driver features a current buffer stage. The 1ED44173N01B has OCP pin for over current protection sense and a FAULT status output (Once it is active, EN/ $\overline{\text{FLT}}$  pin is internally pulled down). The EN/ $\overline{\text{FLT}}$  needs to be outside pulled up to provide normal operation, pulling EN/ $\overline{\text{FLT}}$  low disable the driver. Internal circuitry on  $V_{CC}$  pin provides an under voltage lockout protection that holds output low until  $V_{CC}$  supply voltage is within operating range.

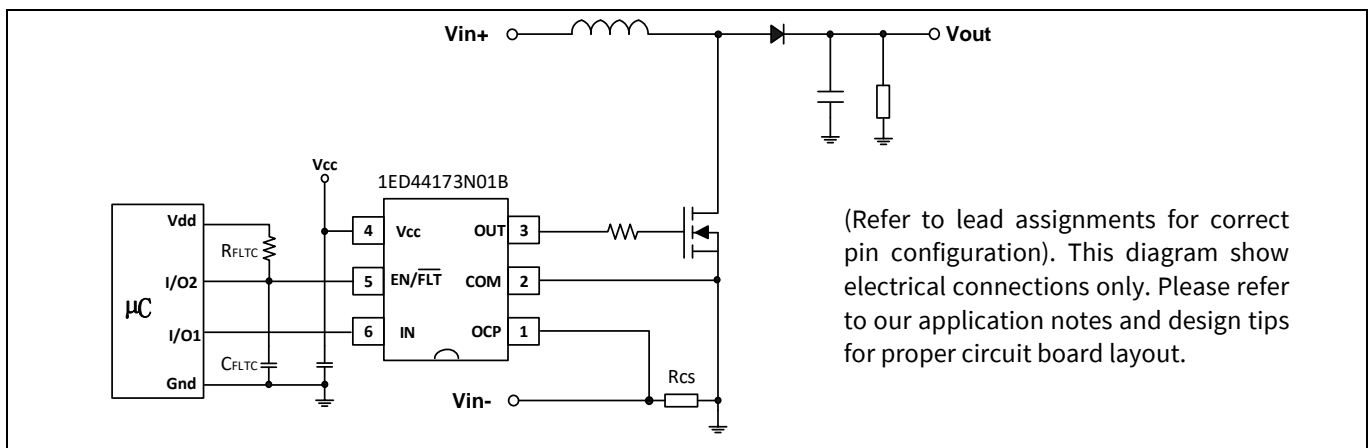


Figure 1 Typical application

### Ordering information

Product type	Package	Standard pack		Orderable part number
		Form	Quantity	
1ED44173N01B	PG-SOT23-6-3	Tape and Reel	3000	1ED44173N01BXTSA1

### Product validation

Qualified for industrial applications according to the relevant tests of JEDEC JESD47/22 and J-STD-020.

## Table of contents

<b>1</b>	<b>Block diagram</b> .....	<b>3</b>
<b>2</b>	<b>Pin configuration and functionality</b> .....	<b>4</b>
2.1	Pin configuration.....	4
2.2	Input/output logic truth table.....	5
<b>3</b>	<b>Qualification information</b> .....	<b>6</b>
<b>4</b>	<b>Electrical parameters</b> .....	<b>7</b>
4.1	Absolute maximum ratings.....	7
4.2	Recommended operating conditions.....	7
4.3	Static electrical characteristics.....	8
4.4	Dynamic electrical characteristics.....	8
<b>5</b>	<b>Application information and additional details</b> .....	<b>9</b>
5.1	MOSFET gate driver.....	9
5.2	Switching and timing relationships.....	9
5.3	Input logic compatibility.....	10
5.4	Undervoltage lockout ( $V_{CC}$ ).....	10
5.5	Over current protection (OCP).....	11
5.6	Fault reporting and programmable fault clear timer.....	12
5.7	Enable input.....	12
<b>6</b>	<b>Package outline: PG-SOT23-6-3</b> .....	<b>14</b>
<b>7</b>	<b>Tape and reel details</b> .....	<b>15</b>
<b>8</b>	<b>Part marking information</b> .....	<b>16</b>
<b>9</b>	<b>Similar products</b> .....	<b>17</b>
<b>10</b>	<b>Related documents</b> .....	<b>18</b>
	<b>Revision history</b> .....	<b>19</b>

# 1 Block diagram

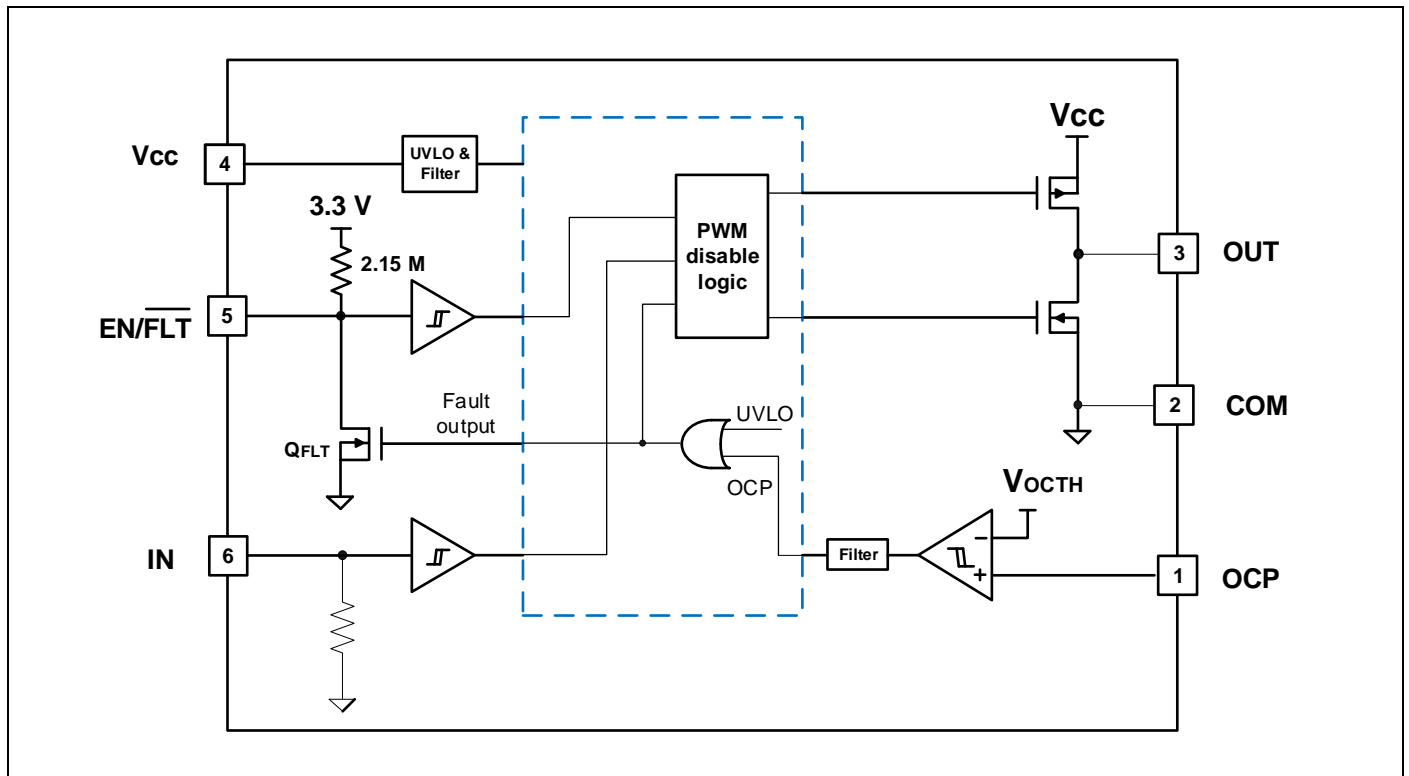


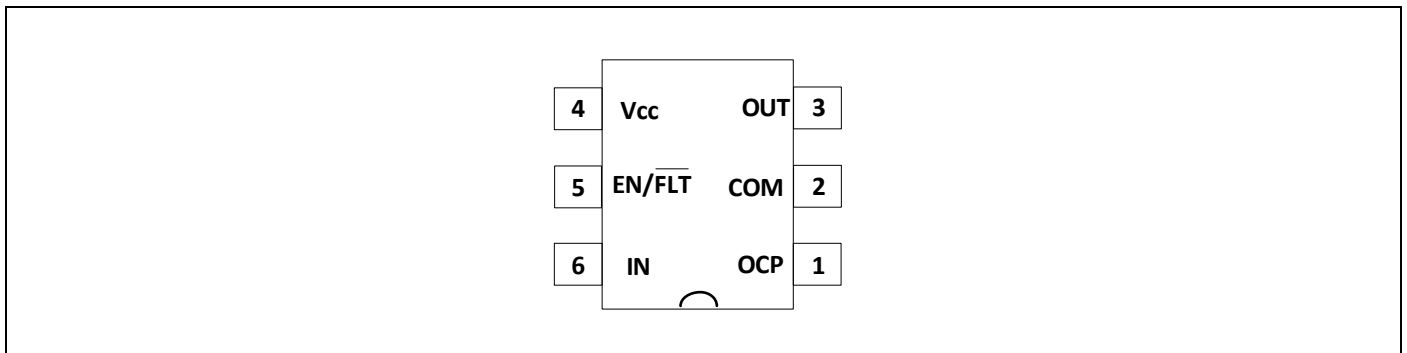
Figure 2 Block diagram

## 2 Pin configuration and functionality

### 2.1 Pin configuration

**Table 1** Pin configuration

Pin no.	Name	Function
1	OCP	Current sense input
2	COM	Ground
3	OUT	Gate drive output
4	V <sub>cc</sub>	Supply Voltage
5	EN/ $\overline{\text{FLT}}$	Enable, fault reporting and fault clear time program pin, three functions: <ol style="list-style-type: none"> <li>1. Logic input to enable I/O functionality. I/O logic functions when ENABLE is high.</li> <li>2. Fault reporting function like over-current or undervoltage lockout, this pin has negative logic and an open-drain output.</li> <li>3. Fault clear time program with external resistor and capacitor.</li> </ol>
6	IN	Logic input for gate driver output (OUT), in phase



**Figure 3** PG-SOT23-6-3 (top view)

## 2.2 Input/output logic truth table

Table 2 Input/output logic truth table

IN	UVLO <sup>1)</sup>	OCP <sup>2)</sup>	EN/ $\overline{\text{FLT}}$ <sup>3)</sup>	OUT	Note
L	H	L	H	L	OUT = L
H	H	L	H	H	OUT = H
X	L	X	L	L	OUT = L, EN/ $\overline{\text{FLT}}$ = L, (UVLO protection will disable input signals until EN/ $\overline{\text{FLT}}$ returns to high level.)
X	H	H	L	L	OUT = L, EN/ $\overline{\text{FLT}}$ = L, (Over current protection will disable input signals until EN/ $\overline{\text{FLT}}$ returns to high level.)
X	H	X	L	L	OUT = L (Externally pull down EN/ $\overline{\text{FLT}}$ pin will disable I/O logic until EN/ $\overline{\text{FLT}}$ returns to high level.)

1) UVLO "L" state is under-voltage protection.

2) OCP "H" state is over-current protection.

3) EN/ $\overline{\text{FLT}}$  "H" state is EN/ $\overline{\text{FLT}}$  pin externally pulling up and internally pull down MOSFET (QFLT) is off. (See Block Diagram.)

### 3 Qualification information

<b>Qualification level</b>		Industrial <sup>1)</sup>
		Comments: This family of ICs has passed JEDEC's Industrial qualification. Consumer qualification level is granted by extension of the higher Industrial level.
<b>Moisture sensitivity level</b>		MSL1 <sup>2)</sup> 260°C (per JEDEC standard J-STD-020)
<b>ESD</b>	Charged device model	1.5 kV (per ANSI/ESDA/JEDEC standard JS-002)
	Human body model	3 kV (per ANSI/ESDA/JEDEC standard JS-001)
<b>IC latch-up test</b>		Class II, Level A (per JESD78)
<b>RoHS compliant</b>		Yes

- 1) Higher qualification ratings may be available should the user have such requirements. Please contact your Infineon sales representative for further information.
- 2) Higher MSL ratings may be available for the specific package types listed here. Please contact your Infineon sales representative for further information.

## 4 Electrical parameters

### 4.1 Absolute maximum ratings

Absolute maximum ratings indicate sustained limits beyond which damage to the device may occur. The device may not function or not be operable above the recommended operating conditions and stressing the parts to these levels is not recommended. In addition, extended exposure to stresses above the recommended operating conditions may affect device reliability. All voltage parameters are absolute voltages referenced to COM. The thermal resistance and power dissipation ratings are measured under board mounted and still air conditions.

**Table 3 Absolute maximum ratings**

Symbol	Definition	Min	Max	Units
$V_{CC}$	Fixed supply voltage	- 0.3	25	V
$V_O$	Output voltage (OUT)	- 0.3	$V_{CC} + 0.3$	
$V_{OCP}$	Voltage at current sense pin (OCP)	- 10	$V_{CC} + 0.3$	
$V_{EN/\overline{FLT}}$	Voltage at enable and fault reporting pin (EN/ $\overline{FLT}$ )	- 0.3	$V_{CC} + 0.3$	
$V_{IN}$	Logic input voltage ( IN )	- 10	$V_{CC} + 0.3$	
$P_D$	Package power dissipation @ $T_A \leq 25^\circ\text{C}$	—	0.5	W
$R_{thJA}$	Thermal resistance, junction to ambient	PG-SOT23-6	250	$^\circ\text{C}/\text{W}$
$T_J$	Junction temperature	- 40	150	$^\circ\text{C}$
$T_S$	Storage temperature	- 55	150	
$T_L$	Lead temperature (soldering, 10 seconds)	—	260	

### 4.2 Recommended operating conditions

For proper operation, the device should be used within the recommended conditions. All voltage parameters are absolute voltages referenced to COM unless otherwise stated in the table.

**Table 4 Recommended operating conditions**

Symbol	Definition	Min	Max	Units
$V_{CC}$	Fixed supply voltage	8.6	20	V
$V_O$	Output voltage	COM	$V_{CC}$	
$V_{OCP}$	Voltage at current sense pin (OCP)	-5	$V_{CC}$	
$V_{EN/\overline{FLT}}$	Voltage at enable and fault reporting pin (EN/ $\overline{FLT}$ )	0	$V_{CC}$	
$V_{IN}$	Logic input voltage ( IN )	- 5	$V_{CC}$	
$T_A$	Ambient temperature	- 40	125	$^\circ\text{C}$

### 4.3 Static electrical characteristics

$V_{CC} = 15V$ ,  $T_A = 25^\circ C$  unless otherwise specified. The  $V_{INL}$ ,  $V_{INH}$ ,  $V_{ENL}$ ,  $V_{ENH}$ ,  $V_{OCTH}$ , and  $I_{IN}$ ,  $I_{FLT}$  parameters are referenced to COM and are applicable to input leads: IN, OCP and EN/ $\overline{FLT}$ . The  $V_O$  and  $I_O$  parameters are referenced to COM and are applicable to the output lead: OUT.

**Table 5** Static electrical characteristics

Symbol	Definition	Min	Typ	Max	Units	Test Conditions	
$V_{CCUV+}$	$V_{CC}$ supply undervoltage positive going threshold	7.4	8.0	8.6	V		
$V_{CCUV-}$	$V_{CC}$ supply undervoltage negative going threshold	6.7	7.3	7.8			
$V_{CCUVH}$	$V_{CC}$ supply undervoltage lockout hysteresis	—	0.7	—			
$V_{INL}$	Logic “0” input voltage (OUT = LO)	0.8	1.0	1.2			
$V_{INH}$	Logic “1” input voltage (OUT = HI)	1.9	2.1	2.3			
$V_{ENL}$	Logic “0” disable voltage	0.8	1.0	1.2			
$V_{ENH}$	Logic “1” enable voltage	1.9	2.1	2.3			
$V_{OH}$	High level output voltage, $V_{CC} - V_{OUT}$	—	0.02	0.1			$I_O = 2 \text{ mA}$
$V_{OL}$	Low level output voltage, $V_{OUT}$	—	0.02	0.1			$I_O = 2 \text{ mA}$
$V_{OCTH}$	Current limit threshold voltage	-259	-246	-233			mV
$I_{IN+}$	Logic “1” input bias current IN pin	35	50	70	$\mu A$	$V_{IN} = 5 \text{ V}$	
$I_{IN-}$	Logic “0” input bias current IN pin	-10	-6	—		$V_{IN} = 0 \text{ V}$	
$I_{OCC}$	Quiescent $V_{CC}$ supply current	—	700	1200	A	$V_{IN} = 0 \text{ V}$ or $5 \text{ V}$	
$I_{O+}$	Output sourcing short circuit pulsed current	2	2.6	—		$V_O = 0 \text{ V}$ , $PW \leq 2 \mu s$	
$I_{O-}$	Output sinking short circuit pulsed current	2	2.6	—		$V_O = 15 \text{ V}$ , $PW \leq 2 \mu s$	
$I_{FLT}$	EN/ $\overline{FLT}$ pull down sinking current	18	—	—	mA	$V_{EN/\overline{FLT}} = 0.4 \text{ V}$	
$V_{ACTSD}$	Active shut down voltage	—	2.0	2.3	V	$V_{CC} = \text{open}$ , $I_{OUT}/I_{O-} = 0.1$	

### 4.4 Dynamic electrical characteristics

$V_{CC} = 15 \text{ V}$ ,  $T_A = 25^\circ C$ , and  $C_L = 1000 \text{ pF}$  unless otherwise specified.

**Table 6** Dynamic electrical characteristics

Symbol	Definition	Min	Typ	Max	Units	Test Conditions
$t_{on}$	Turn-on propagation delay	27	34	45	ns	Figure 6 $V_{IN}$ pulse = 5 V
$t_{off}$	Turn-off propagation delay	27	34	45		
$t_r$	Turn-on rise time	—	5	—		
$t_f$	Turn-off fall time	—	5	—		
$t_{DISA}$	Disable propagation delay	27	34	45		Figure 12 $V_{EN}$ pulse = 5 V
$t_{OCPDEL}$	Over current protection propagation delay	—	97	140		Figure 9, Figure 10 $R_{EN} = 10 \text{ k}\Omega$ to $V_{CC}$ $V_{OCP}$ pulse = - 0.5 V
$t_{OCPFLT}$	OCP to low level EN/ $\overline{FLT}$ signal delay	—	97	150	$\mu s$	Figure 9, Figure 10 $V_{dd} = 3.3 \text{ V}$ $R_{FLTC} = 1 \text{ M}\Omega$ to $V_{dd}$ , $C_{FLTC} = 150 \text{ pF}$ to COM
$t_{FLTC}$	FAULT clear time	80	103	130		
$t_{BLK}$	Over current protection blanking time	30	50	80		ns
$t_{VCCUV}$	$V_{CC}$ supply UVLO filter time *	—	2	—	$\mu s$	Figure 8

\*Parameter verified by design, not tested in production.



## 5 Application information and additional details

Information regarding the following topics is included as subsections within this section of the datasheet.

- MOSFET gate driver
- Switching and timing relationships
- Input logic compatibility
- Undervoltage lockout protection
- Over current protection (OCP)
- Fault reporting and programmable fault clear timer
- Enable input

See the **1ED44173N01B Application Note AN2020-09** Low-side MOSFET driver with fast over current protection and fault/enable (negative current sense) for interface circuit examples and recommended layout guidelines.

### 5.1 MOSFET gate driver

The 1ED44173N01B is designed to drive MOSFET power devices. Figure 4 **Error! Reference source not found.** and Figure 5 illustrate several parameters associated with the gate driver functionality of the driver. The output current of the driver, used to drive the gate of the power switch, is defined as  $I_{O+}$ . The voltage that drives the gate of the external power switch is defined as  $V_{OUT}$ .

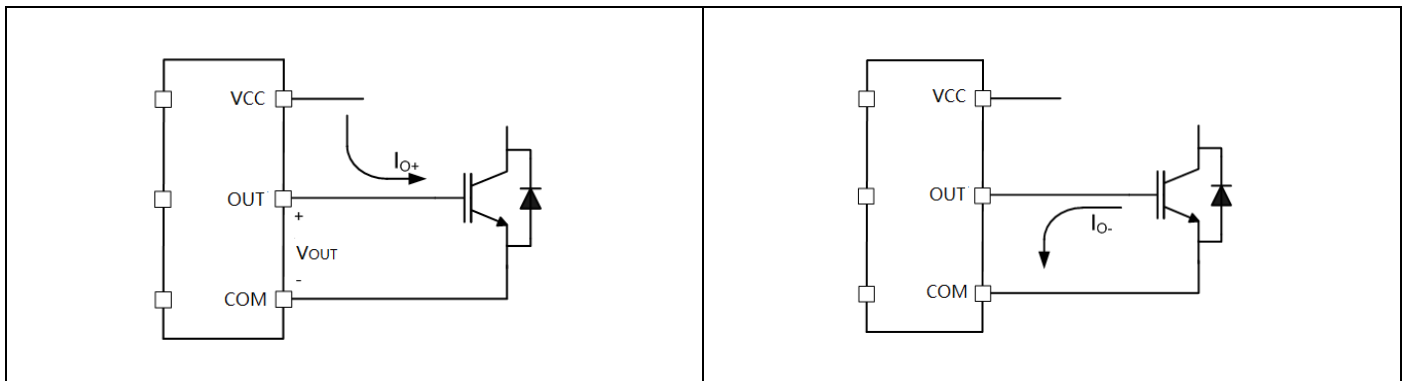


Figure 4 Gate output sourcing current

Figure 5 Gate output sinking current

### 5.2 Switching and timing relationships

The relationships between the input and output signals of the 1ED44173N01B are illustrated below Figure 6. From the figure, we can see the definitions of several timing parameters (i.e.  $t_{on}$ ,  $t_{off}$ ,  $t_r$ , and  $t_f$ ) associated with this device.

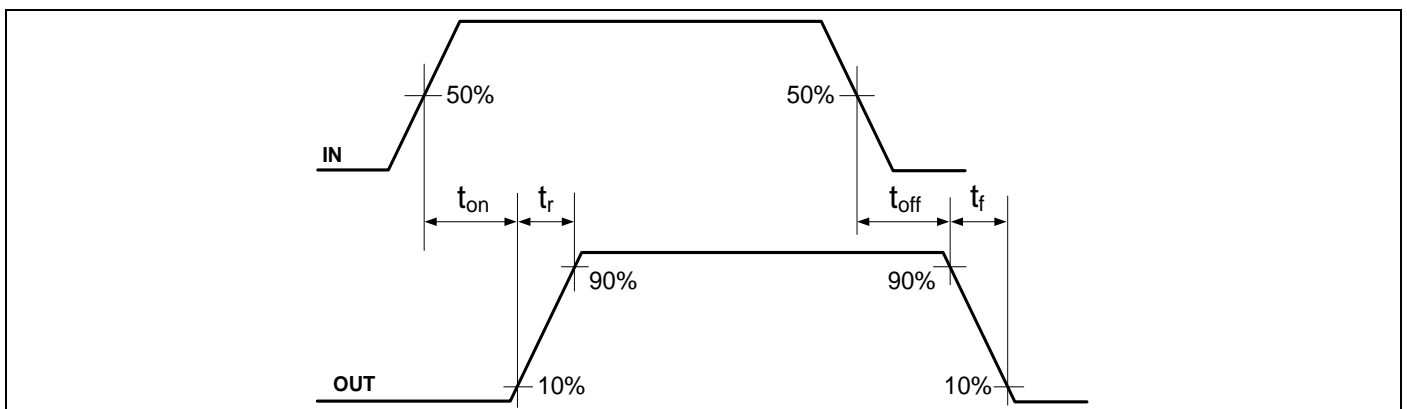


Figure 6 Switching time waveforms

### 5.3 Input logic compatibility

The input of this IC is compatible with standard CMOS and TTL outputs. The 1ED44173N01B has been designed to be compatible with 3.3 V, 5 V and 15 V logic-level signals. The input high threshold ( $V_{INH}$ ) is typ. 2.1 V and low threshold ( $V_{INL}$ ) is typ. 1 V. Input hysteresis offers enhanced noise immunity. The 1ED44173N01B includes an important feature: wherein, whenever the input pin is in a floating condition, the output is held in the low state. This is achieved using GND pull-down resistors on the input pin. Figure 7 illustrates an input signal to the 1ED44173N01B, its input threshold values, and the logic state of the IC as a result of the input signal.

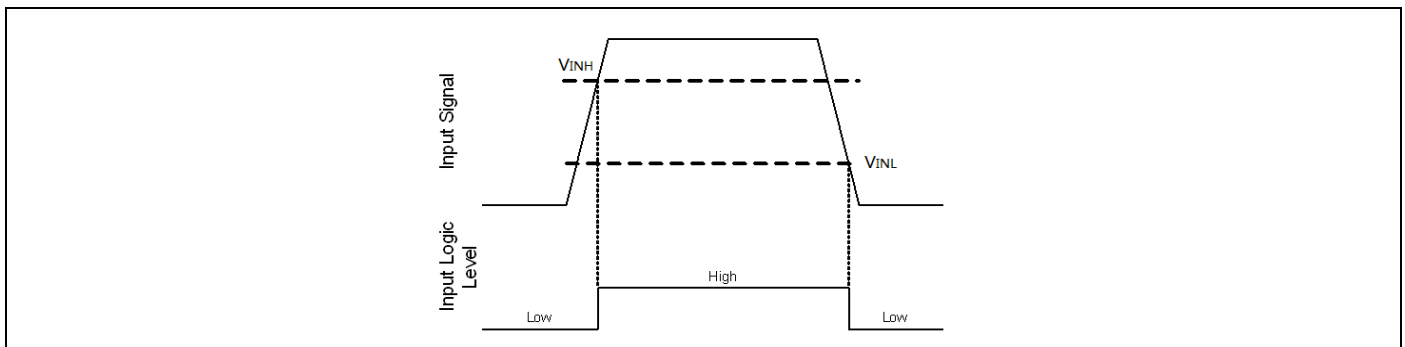


Figure 7 IN input thresholds

### 5.4 Undervoltage lockout ( $V_{CC}$ )

The 1ED44173N01B has internal UVLO protection feature on the  $V_{CC}$  pin supply circuit blocks. When  $V_{CC}$  bias voltage keeps lower than the  $V_{CCUV-}$  threshold more than UVLO filter time ( $t_{VCCUV}$ ), the  $V_{CC}$  UVLO feature holds the output low, regardless of the status of the IN input.

At the same time, the internal MOSFET  $Q_{FLT}$  turns on and the  $EN/\overline{FLT}$  pin is internally pulled down to COM. The  $EN/\overline{FLT}$  output stays in the low state until the UVLO has been removed; once the UVLO is removed, the internal MOSFET  $Q_{FLT}$  turns off, and the voltage on the  $EN/\overline{FLT}$  pin is charged up by external voltage  $V_{DD}$ . The length of the fault clear time period ( $t_{FLTc}$ ) is determined by exponential charging characteristics of the capacitor where the time constant is set by  $R_{FLTc}$  and  $C_{FLTc}$ .

And when  $V_{CC}$  is higher than  $V_{CCUV+}$  and longer than fault clear time ( $t_{FLTc}$ ), the OUT still keeps low until next input signal IN is high. (See Figure 8)

The filter time ( $t_{VCCUV}$ ) of about 2 $\mu$ s helps to suppress noise from the UVLO circuit, so that negative going voltage spikes at the supply pin will avoid parasitic UVLO events.

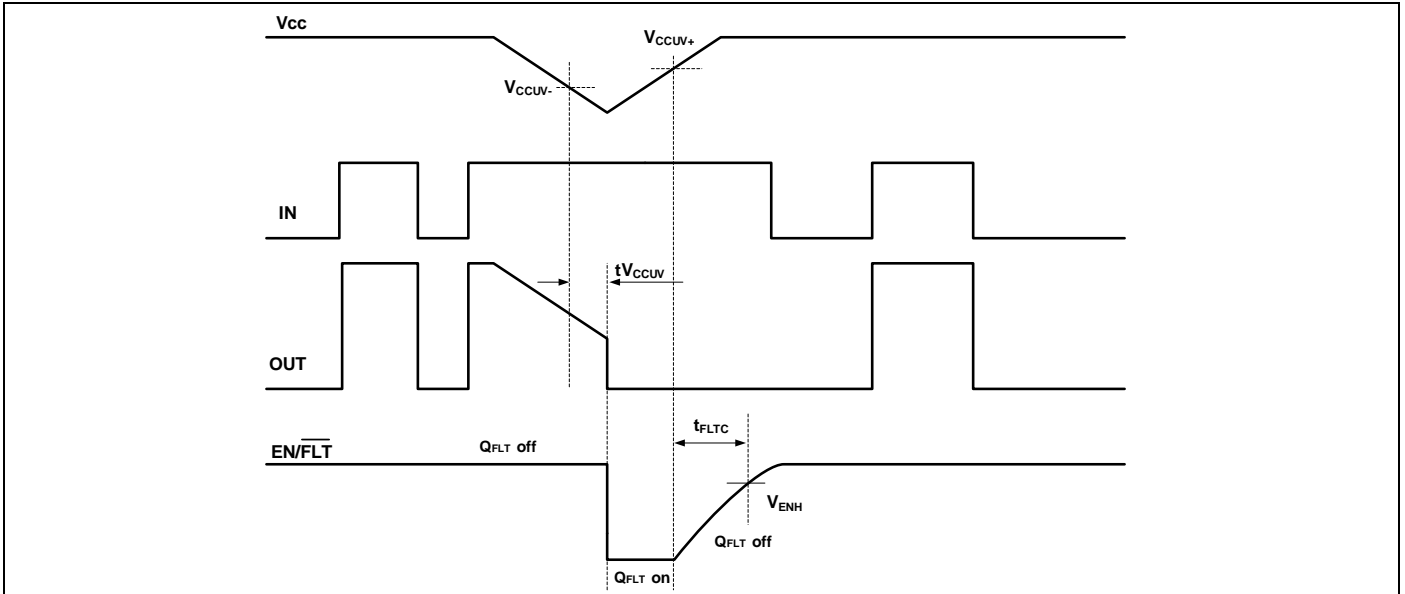


Figure 8 V<sub>CC</sub> under voltage protection waveform definitions

### 5.5 Over current protection (OCP)

The 1ED44173N01B has a function of over current protection with a threshold  $V_{CSTH}$  at the OCP pin input. The voltage at this pin is the negative voltage drop sensed across the system current sense resistor. It is up to minus 10 VDC negative input capability of OCP pin. To avoid false tripping due to the fast high current switch on transient that occurs at the switch on of a MOSFET resulting from the circuit parasitic capacitors, there is blanking interval which disables over current detection for the period of  $t_{BLK}$  (Additional RC filter is recommended, if internal  $t_{BLK}$  is not enough in the very noisy circuit.). After  $t_{BLK}$  and the voltage of OCP pin is over  $V_{CSTH}$ , the 1ED44173N01B causes fault logic to initiate a fault shutdown sequence. This sequence starts with the generation of a fault signal and internal MOSFET  $Q_{FLT}$  is turned on and  $\overline{EN/FLT}$  pin is pulled down.

At the same time the 1ED44173N01B terminates the present cycle, and the gate output is immediately pulled down with internal propagation delay ( $t_{OCPDEL}$ ), see the Figure 9 and Figure 10.

Figure 9 is the diagram of 1ED44173N01B in boost application. And Figure 10 is the typical waveforms of the application. If the OCP fault condition is removed, the internal pull down NMOS of  $\overline{EN/FLT}$  is released and  $\overline{EN/FLT}$  will be pull up again with  $V_{DD}$ , but the output still keeps low until the next input signal  $IN$  is high.

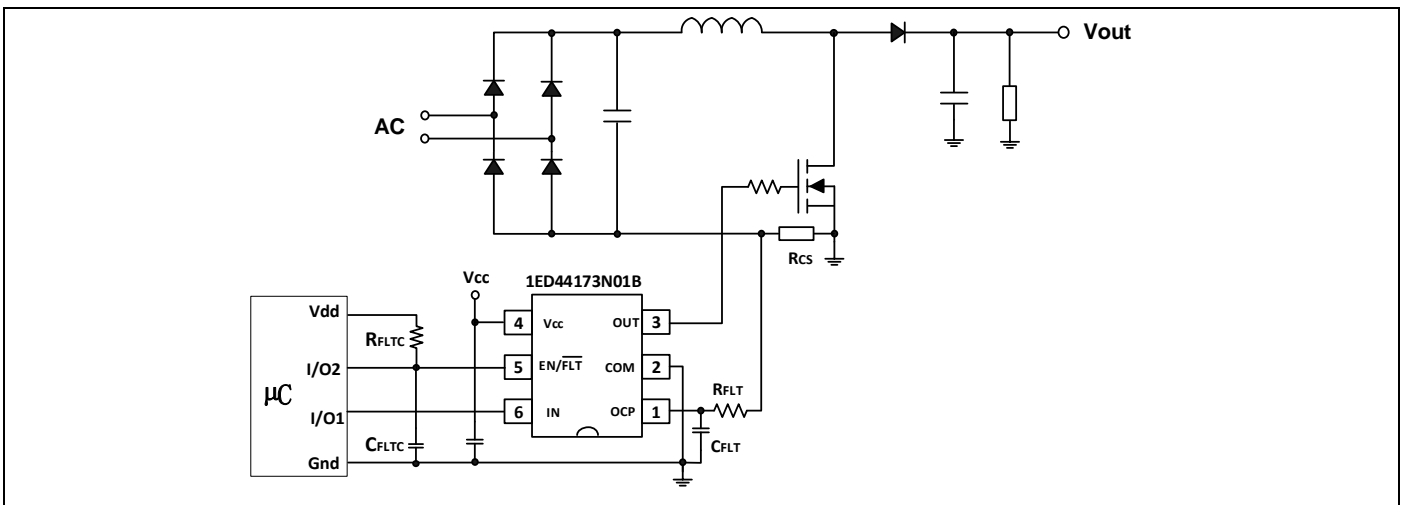


Figure 9 1ED44173N01B in Boost application

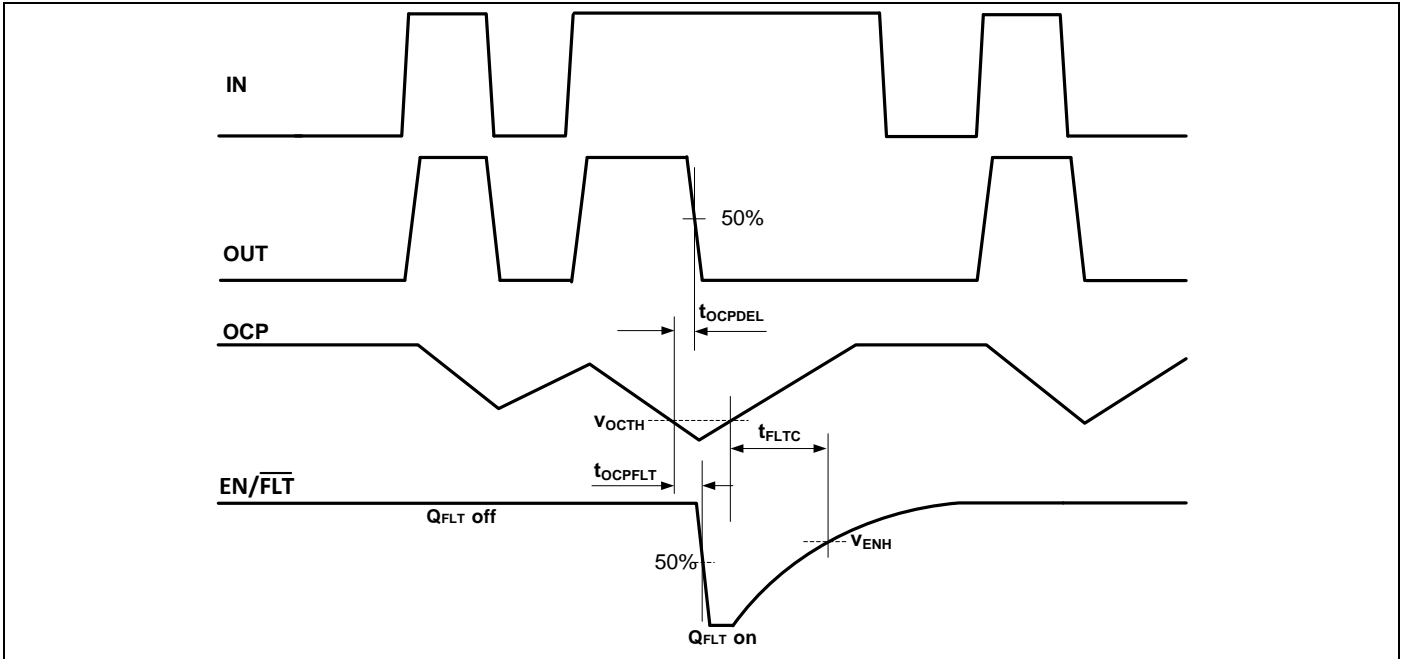


Figure 10 OCP fault detection and fault clear waveforms

### 5.6 Fault reporting and programmable fault clear timer

The 1ED44173N01B provides an integrated fault reporting output and an adjustable fault clear timer. There are two situations that would cause the driver to report a fault via the EN/FLT pin. The first is an under voltage condition of V<sub>CC</sub> and the second is if the OCP pin recognizes a fault. Once the fault condition occurs, the EN/FLT pin is internally pulled to COM. The EN/FLT output stays in the low state until the fault condition has been removed and the internal pull down NMOS Q<sub>FLT</sub> turns off, the voltage on the EN/FLT pin is charged up with external pull-up voltage.

The length of the fault clear time period (t<sub>FLTC</sub>) is determined by exponential charging characteristics of the capacitor where the time constant is set by R<sub>FLTC</sub> and C<sub>FLTC</sub>. Figure 9 shows that R<sub>FLTC</sub> is connected between the external supply (V<sub>dd</sub>) and the EN/FLT pin, while C<sub>FLTC</sub> is placed between the EN/FLT and COM pins. EN/FLT is weakly pulled up to 3.3 V reference voltage with 2.15 M resistor internally. So the length of the fault clear time period can be determined by using the formula below (If V<sub>dd</sub> = 3.3 V).

$$t_{FLTC} = - \left( \frac{R_{FLTC} \times 2.15M}{R_{FLTC} + 2.15M} \right) \times C_{FLTC} \times \ln \left( 1 - \frac{V_{ENH}}{V_{dd}} \right)$$

### 5.7 Enable input

1ED44173N01B provides an enable functionality that allows to shutdown or to enable the output. When EN/FLT is pulled up (the enable voltage is higher than V<sub>ENH</sub>) the output is able to operate normally, pulling EN/FLT low (the enable voltage is lower than V<sub>ENL</sub>) the output is disable. The relationships between the input, output, and enable signals of the 1ED44173N01B are illustrated below in Figure 11~13. From these figures, we can see the definitions of several timing parameters and threshold voltages (i.e. t<sub>DISA</sub>, V<sub>ENH</sub> and V<sub>ENL</sub>) associated with this device.



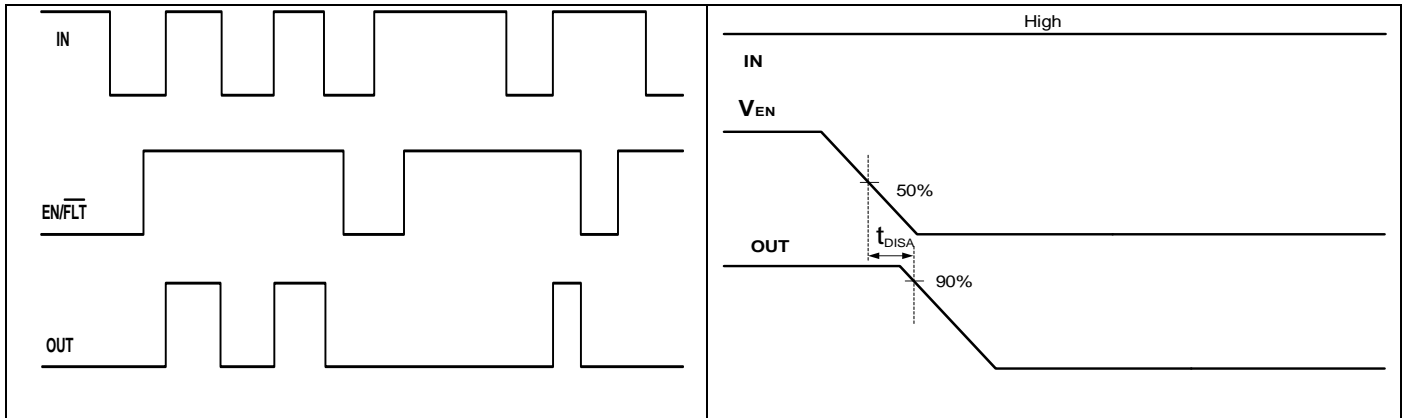


Figure 11 Input/output/enable pins timing diagram Figure 12 EN pin switching time waveform

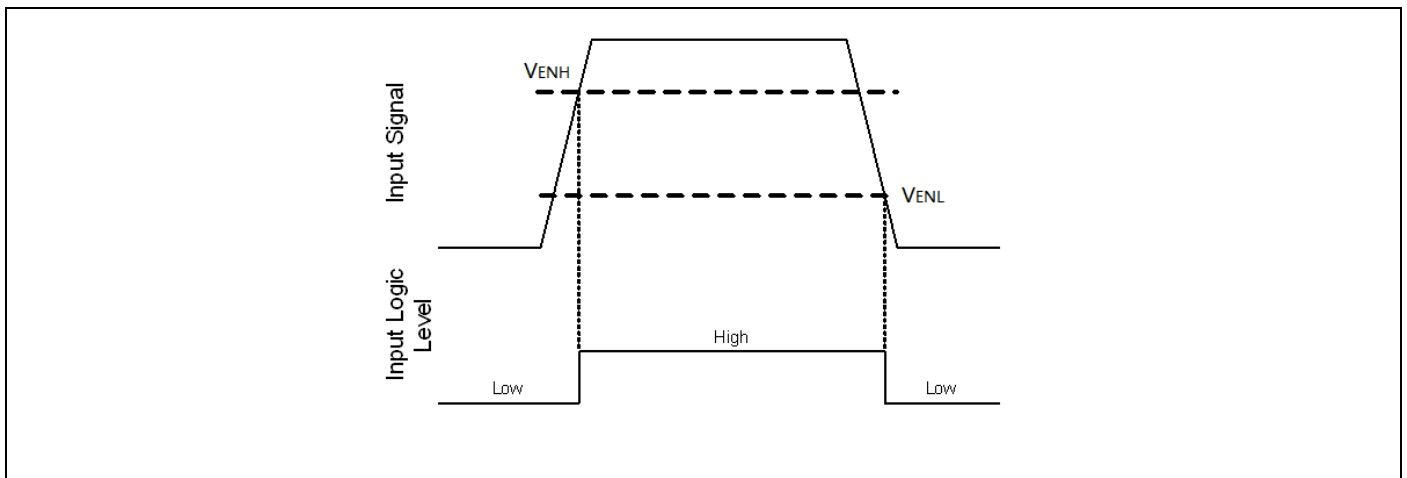


Figure 13 EN input thresholds

## 6 Package outline: PG-SOT23-6-3

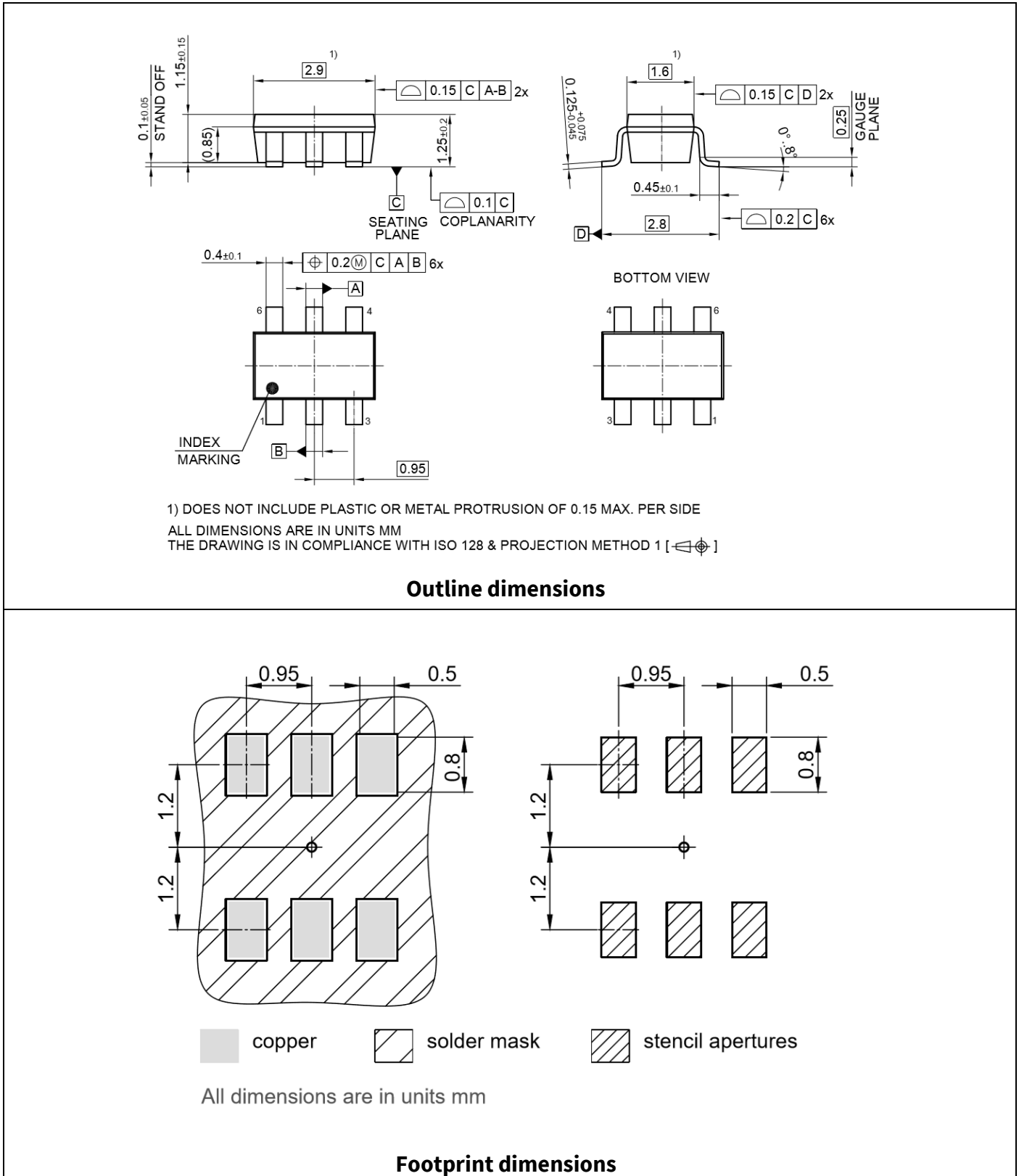
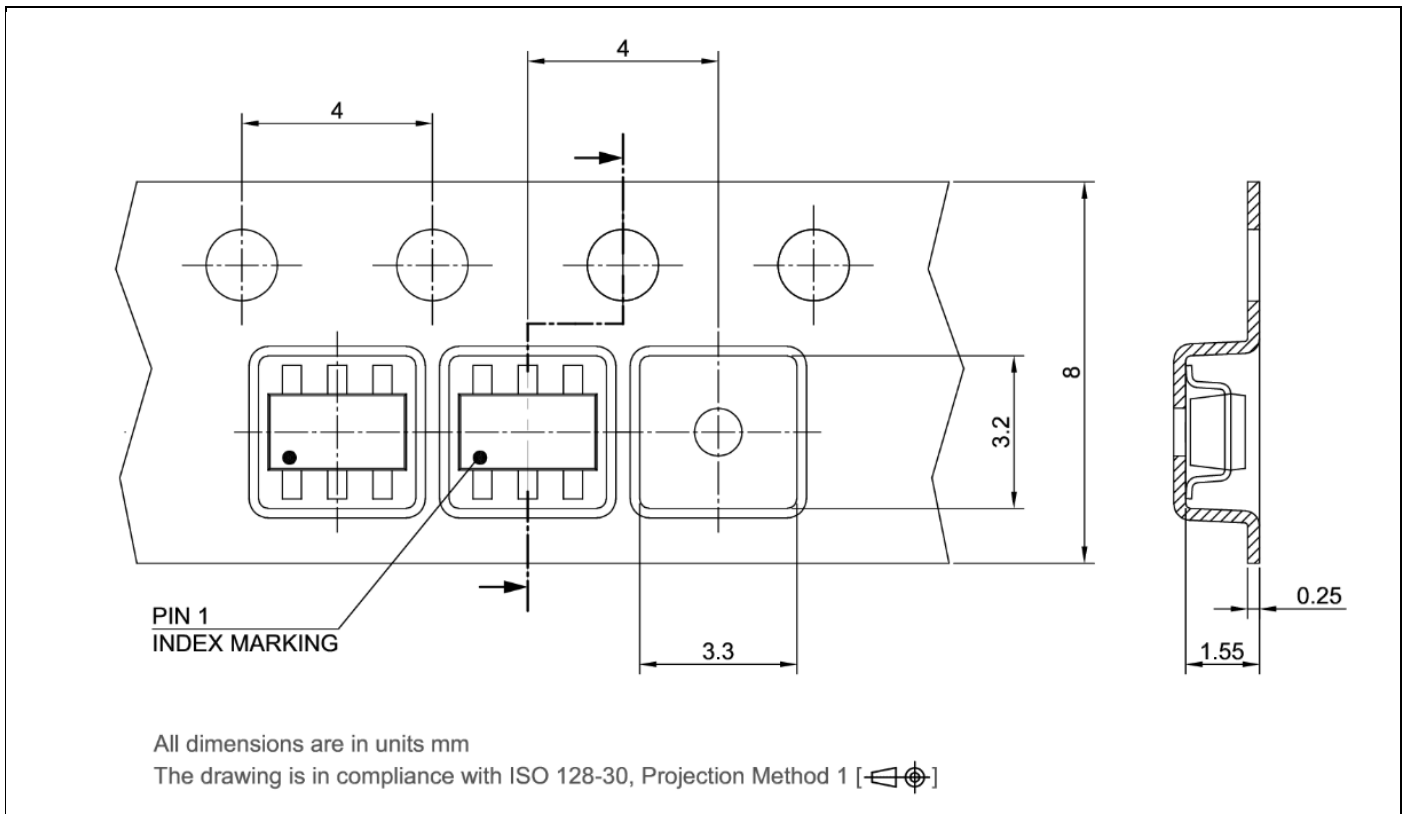


Figure 14 Package outline

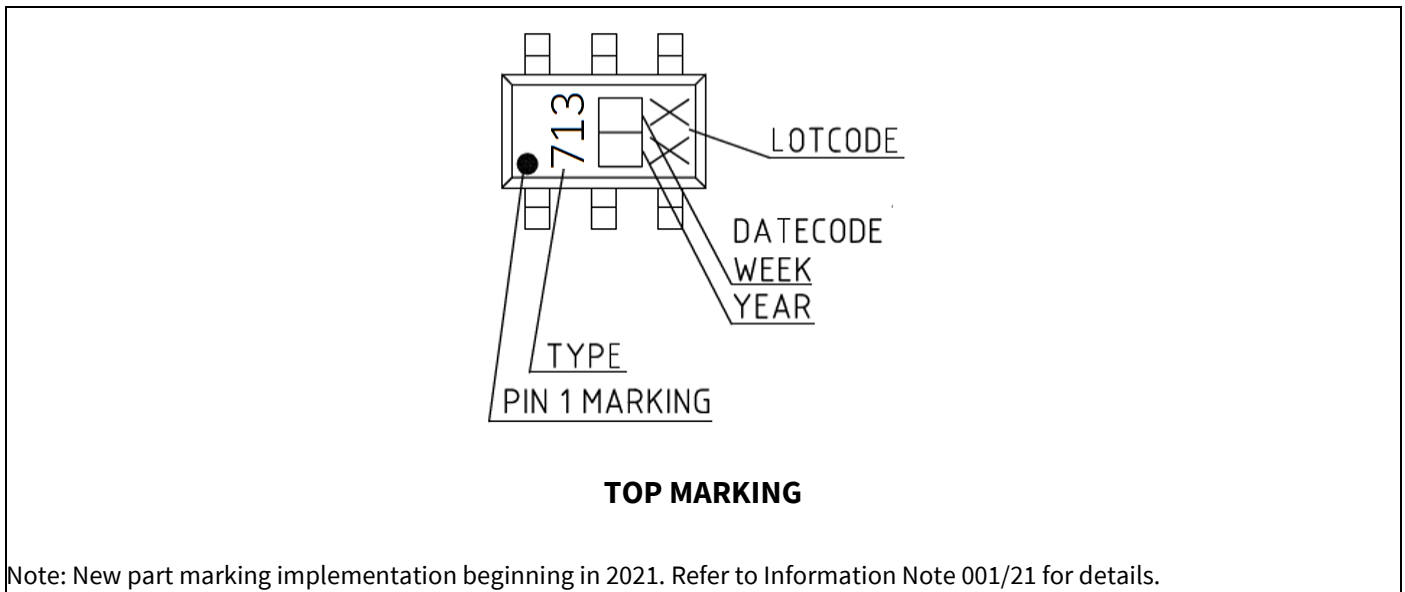
## 7 Tape and reel details



**Figure 15** Tape and reel dimensions

Notes: For further details, please visit [www.infineon.com/packages](http://www.infineon.com/packages)

## 8 Part marking information



**Figure 16 Part marking information**



## 9 Similar products

Channels	Typ. gate drive (Io+/Io-)	Part number	Max supply voltage	UVLO (on/off)	Typ. prop. delay (on/off)	Logic and features	Package options
	A		V	V	ns		
1	1.5 / 1.5	IRS44273L	25	10.2 / 9.2	50 / 50	Single non-inverting channel Dual OUT pins	SOT23-5L
	0.8/1.75	1ED44176	25	11.9/11.4	50 / 50	Single positive current sense OCP, fault out and ENABLE	PG-DSO-8
	2.6/2.6	1ED44175	25	11.9/11.4	50 / 50	Single negative current sense OCP, fault out and ENABLE	SOT23-6-3
2	2.3 / 3.3	IRS4426S	25		50 / 50	Dual inverting channels	SOIC-8L
		IRS44262S	20	10.2 / 9.2	50 / 50	Dual inverting channels	SOIC-8L
		IRS4427S	25		50 / 50	Dual non-inverting channels	SOIC-8L
		IRS4428S	25		50 / 50	Single inverting channel Single non-inverting channel	SOIC-8L
	10/10	2ED24427	24	11.5/10	40 / 55	Dual non-inverting channels with ENABLE	Power Pad DSO-8

---

## **10 Related documents**

1. **AN2020-09** Low-side MOSFET driver with fast over current protection and fault/enable (negative current sense)
2. Datasheets of **1ED44175N01B** and **1ED44176N01B**

## Revision history

Document version	Date of release	Description of changes
1.0	Apr. 1, 2020	Final Datasheet
1.1	Jul. 22, 2021	Updated the marking, adding a line for lot code to improve traceability. Updated the table of similar products (Deleted Gen.7 parts and added 2ED24427).

## Trademarks

All referenced product or service names and trademarks are the property of their respective owners.

**Edition 2021-07-2222**

**Published by**

**Infineon Technologies AG**

**81726 Munich, Germany**

**© 2021 Infineon Technologies AG.**

**All Rights Reserved.**

**Do you have a question about this document?**

**Email: [erratum@infineon.com](mailto:erratum@infineon.com)**

**Document reference**

## IMPORTANT NOTICE

The information given in this document shall in no event be regarded as a guarantee of conditions or characteristics ("Beschaffheitsgarantie").

With respect to any examples, hints or any typical values stated herein and/or any information regarding the application of the product, Infineon Technologies hereby disclaims any and all warranties and liabilities of any kind, including without limitation warranties of non-infringement of intellectual property rights of any third party.

In addition, any information given in this document is subject to customer's compliance with its obligations stated in this document and any applicable legal requirements, norms and standards concerning customer's products and any use of the product of Infineon Technologies in customer's applications.

The data contained in this document is exclusively intended for technically trained staff. It is the responsibility of customer's technical departments to evaluate the suitability of the product for the intended application and the completeness of the product information given in this document with respect to such application.

For further information on the product, technology delivery terms and conditions and prices please contact your nearest Infineon Technologies office ([www.infineon.com](http://www.infineon.com)).

## WARNINGS

Due to technical requirements products may contain dangerous substances. For information on the types in question please contact your nearest Infineon Technologies office.

Except as otherwise explicitly approved by Infineon Technologies in a written document signed by authorized representatives of Infineon Technologies, Infineon Technologies' products may not be used in any applications where a failure of the product or any consequences of the use thereof car reasonably be expected to result in personal injury.

单击下面可查看定价，库存，交付和生命周期等信息

[>>Infineon\(英飞凌\)](#)