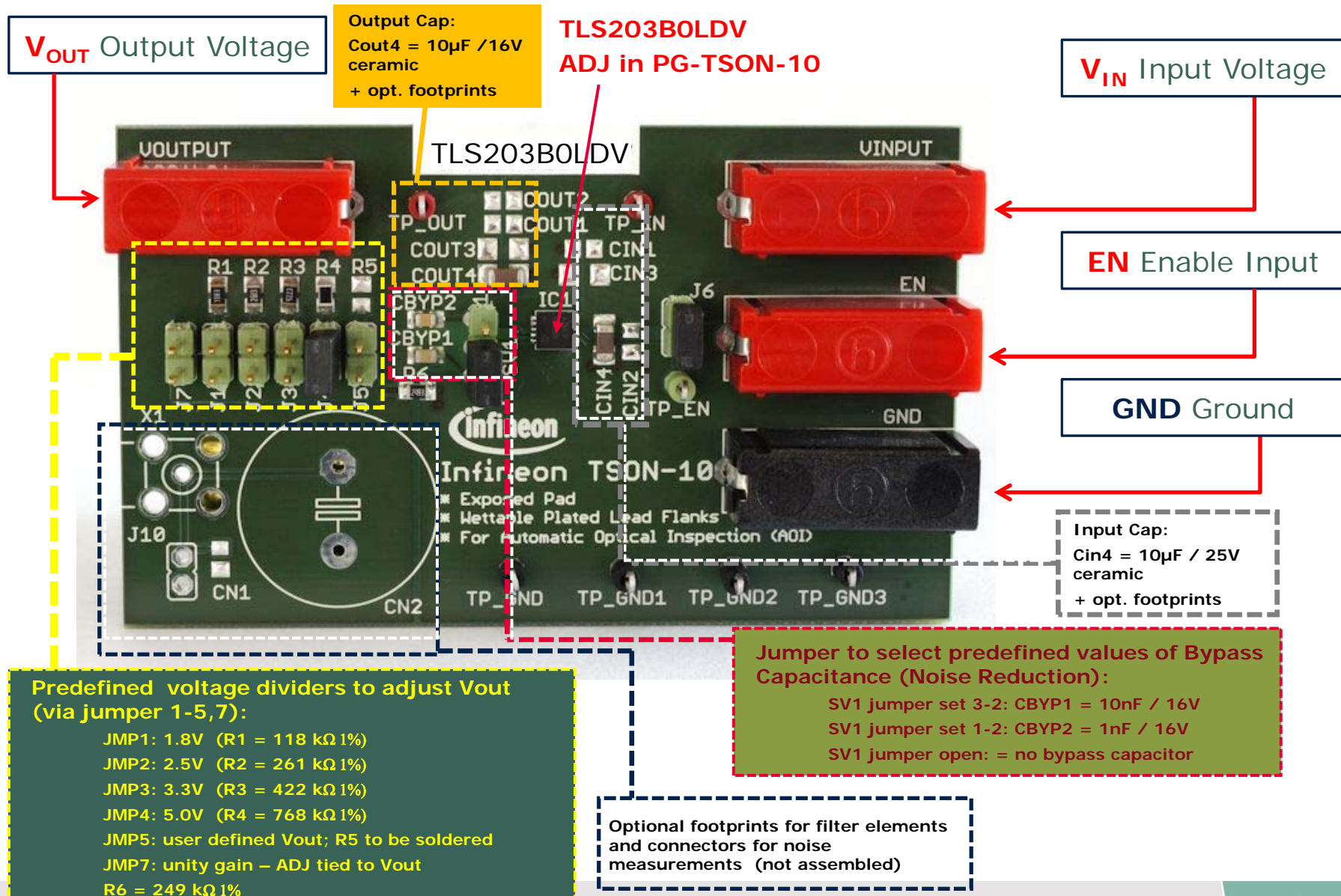


TLS203B0 DEMO Board User Guide



Board Overview and Quick Start

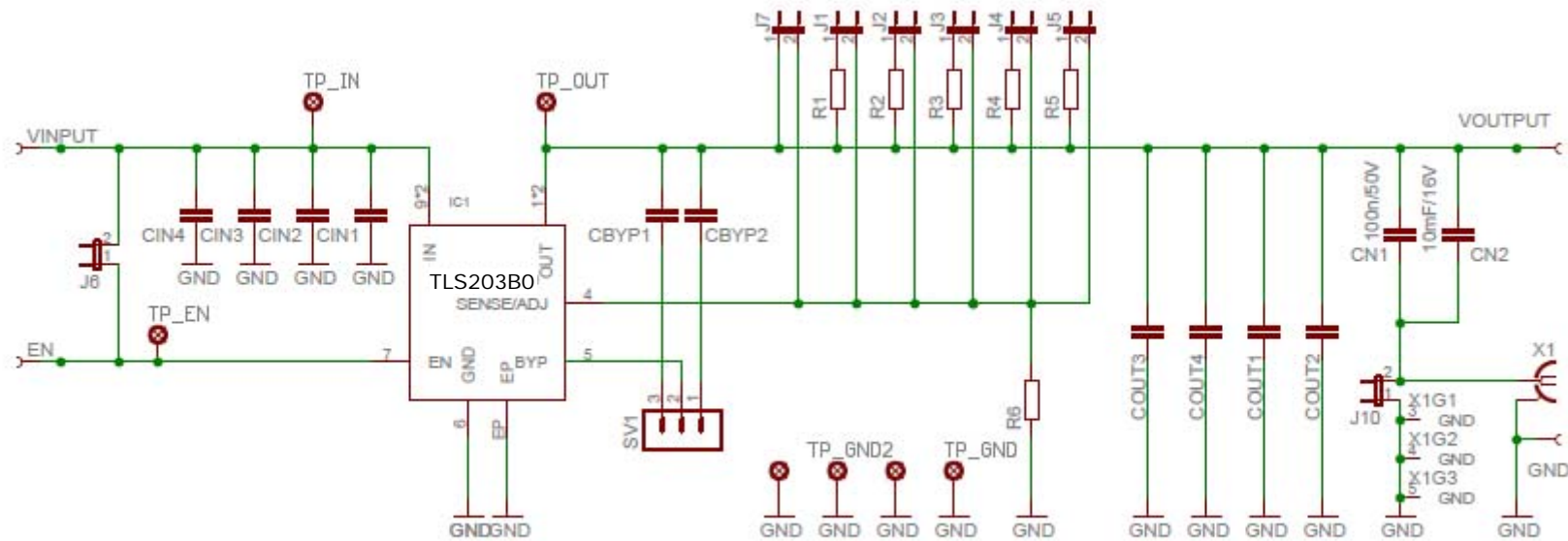


Quick Start

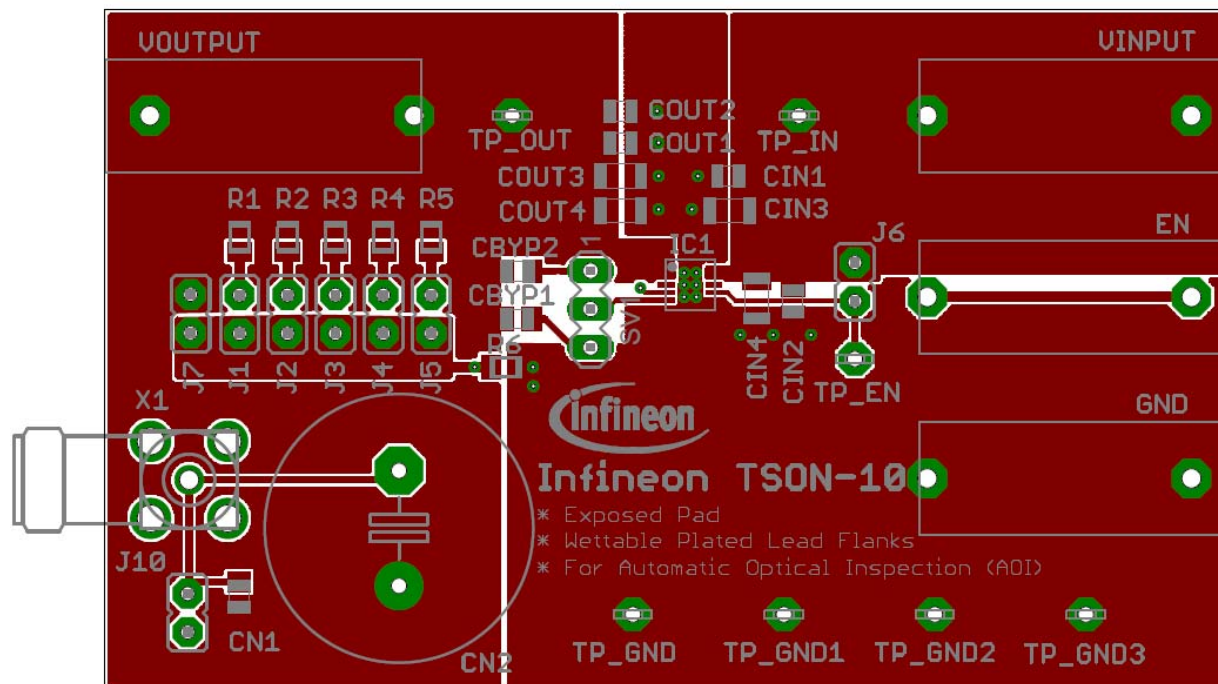
- › Select the desired Output Voltage V_{OUT} :
 - close **ONE** of the jumpers JMP 1-5 according to page 2. If JMP5 is used (= user-specific) a user defined value for R5 must be soldered accordingly. If $V_{OUT} > 16V$ is chosen the output capacitor must be replaced with a capacitor having a higher voltage rating (16V is assembled). Leave the other jumpers open!
- › Select Bypass Capacitance:
 - the jumper settings of SV1 allow to use pre-assembled bypass capacitor values C_{BYP} of either 10nF or 1nF. Leaving SV1 open corresponds to „no bypass capacitor used“.
- › Connect **GND** to Ground
- › Connect **V_{IN}** to the Voltage Supply
 - Absolute Maximum Rating V_{IN} : -20V to 20V
- › Connect **V_{OUT}** to the load
 - Absolute Maximum Rating V_{OUT} : -20V to 20V
- › Set **EN** to high level or connect to **V_{IN}** to start the voltage regulator
 - Absolute Maximum Rating EN: -20V to 20V
 - Jumper JMP6 can be used to tie V_{EN} to V_{IN}

Note: Do NOT exceed the Absolute Maximum Ratings!

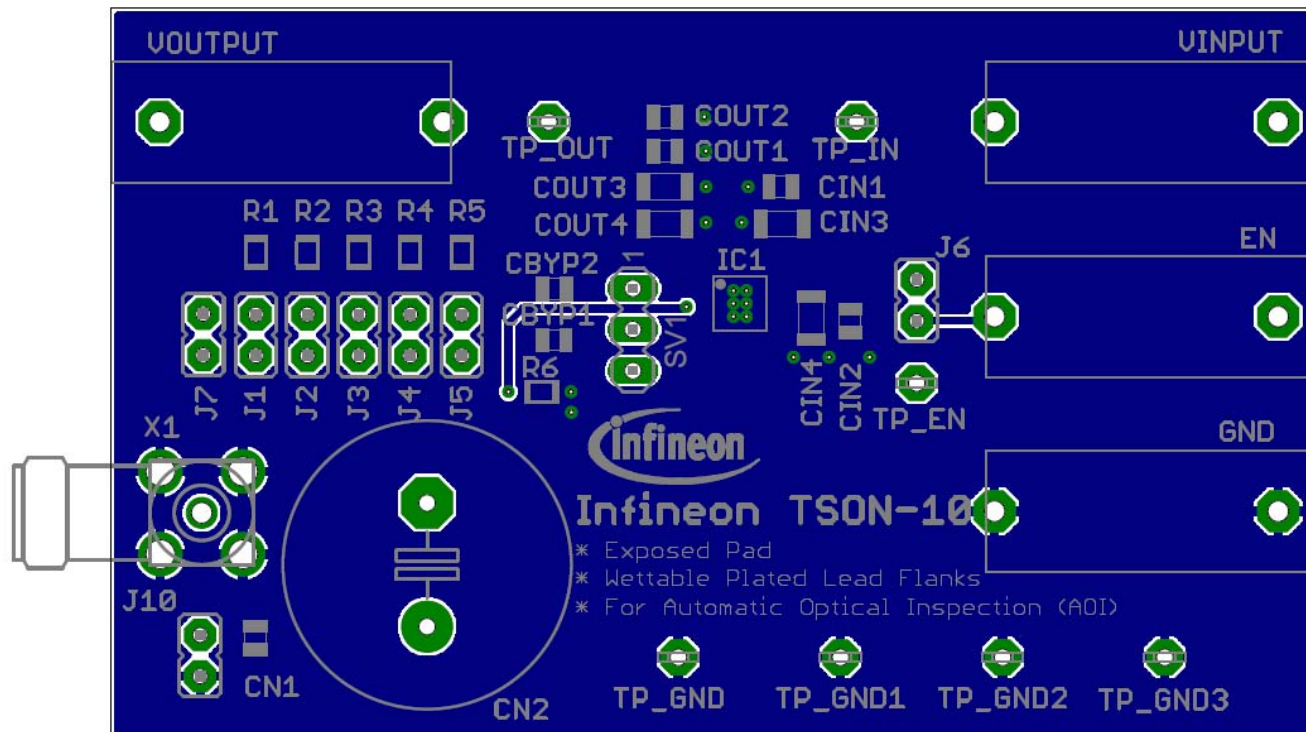
Board Schematics



Board TOP Layer



Board BOTTOM Layer





Part of your life. Part of tomorrow.



单击下面可查看定价，库存，交付和生命周期等信息

[>>Infineon\(英飞凌\)](#)