



IFX52001EJ

Constant Current Relay Driver

Once mechanical relay switches and electromagnetic actuators (also known as solenoids) are turned on, current must continuously flow through their coils (hold current) to keep them on.

The IFX52001EJ can reduce the hold current down to the necessary amount to keep the coil on (40mA without EMI) and thus cut overall current consumption. The coil current remains stable regardless of changes to the input voltage.

IFX52001EJ operates over an extended temperature range from -40°C to 125°C and with input voltages up to 30V, making it ideal for harsh industrial environments.

Available in a PG-DSO-8 exposed pad package, this device can be mounted on a PCB inside a relay or on an existing system PCB with either a high- or low-side switch, reducing design-in time and providing a migration path to an all-electronic switch design.

Key Features

- High coil activation current
- Low hold current
- Suited for both low- and high-side switches
- Thermally enhanced PG-DSO-8 exposed pad package

Key Benefits

- Coil current independent from input voltage variations
- No EMI, unlike PWM relay driving
- Supporting freewheeling diode signal path for energy absorption during switch off

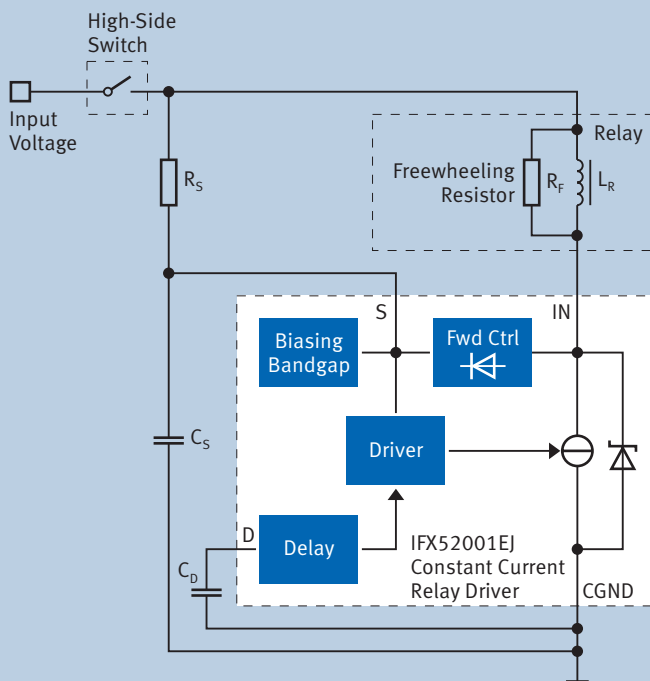
Applications

- Relays
 - The IFX52001EJ can be integrated into relay housing or mounted on system PCB
 - Relays up to 2000mH coil inductance and 120Ω series resistance can be driven
- Electromagnetic actuators
 - Electric door locks, appliances, hydraulic valves, speaker coils, power relays, pinball/pachinko machines, manufacturing/automation systems

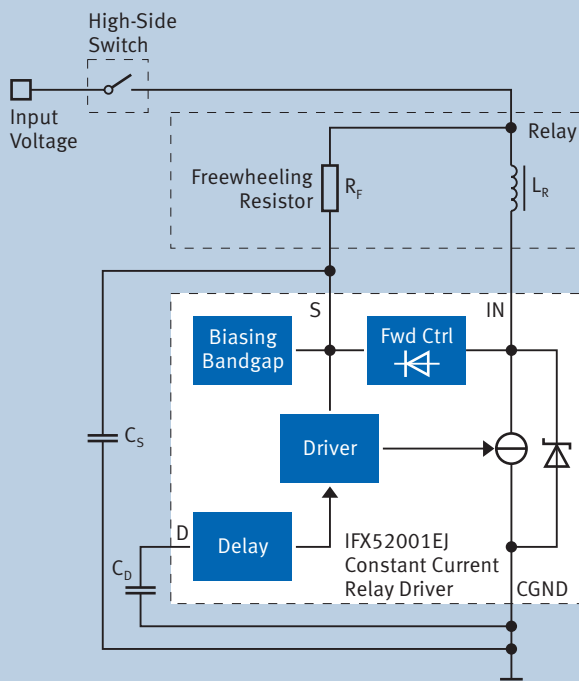
IFX52001EJ

Constant Current Relay Driver

IFX52001EJ Supplied by External Source



IFX52001EJ Supplied by Freewheeling Resistor

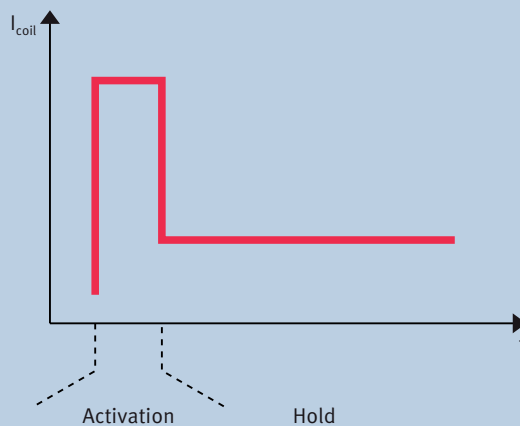


Activation Mode

- Operation as switch
- For activation of e.g. a relay
- At high input voltage (to limit power dissipation during high input voltage faults)
- At low input voltage (minimum drop)

Hold Mode

- Operation as constant current source
- During operation after activation time has been elapsed



Published by
Infineon Technologies AG
85579 Neubiberg, Germany

© 2011 Infineon Technologies AG.
All Rights Reserved.

Visit us:
www.infineon.com

Order Number: B124-H9608-X-X-7600
Date: 06 / 2011

ATTENTION PLEASE!

The information given in this document shall in no event be regarded as a guarantee of conditions or characteristics ("Beschaffenheitsgarantie"). With respect to any examples or hints given herein, any typical values stated herein and/or any information regarding the application of the device, Infineon Technologies hereby disclaims any and all warranties and liabilities of any kind, including without limitation warranties of non-infringement of intellectual property rights of any third party.

INFORMATION

For further information on technology, delivery terms and conditions and prices please contact your nearest Infineon Technologies Office (www.infineon.com).

WARNINGS

Due to technical requirements components may contain dangerous substances. For information on the types in question please contact your nearest Infineon Technologies Office. Infineon Technologies Components may only be used in life-support devices or systems with the express written approval of Infineon Technologies, if a failure of such components can reasonably be expected to cause the failure of that life-support device or system, or to affect the safety or effectiveness of that device or system. Life support devices or systems are intended to be implanted in the human body, or to support and/or maintain and sustain and/or protect human life. If they fail, it is reasonable to assume that the health of the user or other persons may be endangered.

单击下面可查看定价，库存，交付和生命周期等信息

[>>Infineon\(英飞凌\)](#)