

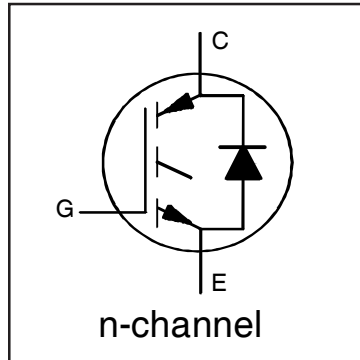
## INSULATED GATE BIPOLAR TRANSISTOR WITH ULTRAFAST SOFT RECOVERY DIODE

### Features

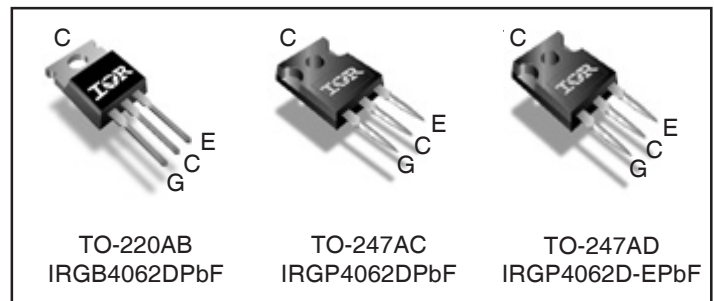
- Low  $V_{CE(ON)}$  Trench IGBT Technology
- Low switching losses
- Maximum Junction temperature 175 °C
- 5  $\mu$ S short circuit SOA
- Square RBSOA
- 100% of the parts tested for  $I_{LM}$  ①
- Positive  $V_{CE(ON)}$  Temperature co-efficient
- Ultra fast soft Recovery Co-Pak Diode
- Tight parameter distribution
- Lead Free Package

### Benefits

- High Efficiency in a wide range of applications
- Suitable for a wide range of switching frequencies due to Low  $V_{CE(ON)}$  and Low Switching losses
- Rugged transient Performance for increased reliability
- Excellent Current sharing in parallel operation
- Low EMI



|  |
|--|
| $V_{CES} = 600V$                               |
| $I_C = 24A, T_C = 100^\circ C$                 |
| $t_{SC} \geq 5\mu s, T_{J(max)} = 175^\circ C$ |
| $V_{CE(on)} \text{ typ.} = 1.65V$              |



|          |           |          |
|----------|-----------|----------|
| <b>G</b> | <b>C</b>  | <b>E</b> |
| Gate     | Collector | Emitter  |

### Absolute Maximum Ratings

|                           | Parameter  | Max.                              | Units |
|---------------------------|--|-----------------------------------|-------|
| $V_{CES}$                 | Collector-to-Emitter Voltage                     | 600                               | V     |
| $I_C @ T_C = 25^\circ C$  | Continuous Collector Current                     | 48                                | A     |
| $I_C @ T_C = 100^\circ C$ | Continuous Collector Current                     | 24                                |       |
| $I_{CM}$                  | Pulse Collector Current, $V_{GE} = 15V$          | 72                                |       |
| $I_{LM}$                  | Clamped Inductive Load Current, $V_{GE} = 20V$ ① | 96                                |       |
| $I_F @ T_C = 25^\circ C$  | Diode Continuous Forward Current                 | 48                                | A     |
| $I_F @ T_C = 100^\circ C$ | Diode Continuous Forward Current                 | 24                                |       |
| $I_{FM}$                  | Diode Maximum Forward Current ②                  | 96                                |       |
| $V_{GE}$                  | Continuous Gate-to-Emitter Voltage               | $\pm 20$                          | V     |
|                           | Transient Gate-to-Emitter Voltage                | $\pm 30$                          |       |
| $P_D @ T_C = 25^\circ C$  | Maximum Power Dissipation                        | 250                               | W     |
| $P_D @ T_C = 100^\circ C$ | Maximum Power Dissipation                        | 125                               |       |
| $T_J$                     | Operating Junction and                           | -55 to +175                       | °C    |
| $T_{STG}$                 | Storage Temperature Range                        |                                   |       |
|                           | Soldering Temperature, for 10 sec.               | 300 (0.063 in. (1.6mm) from case) |       |
|                           | Mounting Torque, 6-32 or M3 Screw                | 10 lbf·in (1.1 N·m)               |       |

### Thermal Resistance

|                   | Parameter  | Min. | Typ. | Max. | Units |
|-------------------|--|------|------|------|-------|
| $R_{TJC}$ (IGBT)  | Thermal Resistance Junction-to-Case-(each IGBT) TO-220AB       | ---  | ---  | 0.60 | °C/W  |
| $R_{TJC}$ (Diode) | Thermal Resistance Junction-to-Case-(each Diode) TO-220AB      | ---  | ---  | 1.53 |       |
| $R_{TJC}$ (IGBT)  | Thermal Resistance Junction-to-Case-(each IGBT) TO-247         | ---  | ---  | 0.65 |       |
| $R_{TJC}$ (Diode) | Thermal Resistance Junction-to-Case-(each Diode) TO-247        | ---  | ---  | 1.62 |       |
| $R_{TCS}$         | Thermal Resistance, Case-to-Sink (flat, greased surface)       | ---  | 0.50 | ---  |       |
| $R_{TJA}$         | Thermal Resistance, Junction-to-Ambient (typical socket mount) | ---  | 80   | ---  |       |

**Electrical Characteristics @ T<sub>J</sub> = 25°C (unless otherwise specified)**

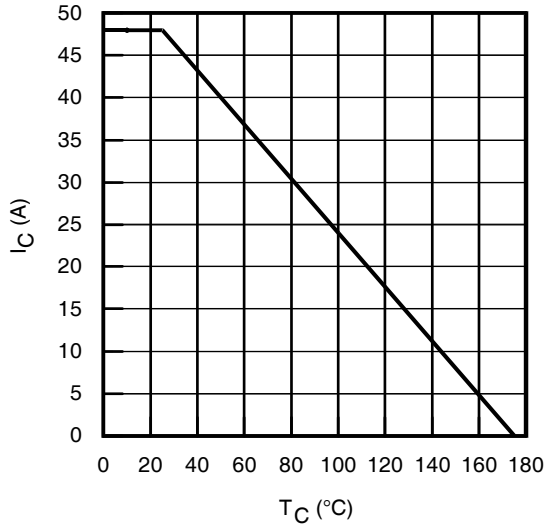
|  | Parameter                               | Min. | Typ. | Max. | Units | Conditions  | Ref.Fig |
|--|---|------|------|------|-------|---|---------|
| V <sub>(BR)CES</sub>                   | Collector-to-Emitter Breakdown Voltage  | 600  | —    | —    | V     | V <sub>GE</sub> = 0V, I <sub>C</sub> = 100μA ④                            | CT6     |
| ΔV <sub>(BR)CES</sub> /ΔT <sub>J</sub> | Temperature Coeff. of Breakdown Voltage | —    | 0.30 | —    | V/°C  | V <sub>GE</sub> = 0V, I <sub>C</sub> = 1mA (25°C-175°C)                   | CT6     |
| V <sub>CE(on)</sub>                    | Collector-to-Emitter Saturation Voltage | —    | 1.60 | 1.95 | V     | I <sub>C</sub> = 24A, V <sub>GE</sub> = 15V, T <sub>J</sub> = 25°C        | 5,6,7   |
|  |   | —    | 2.03 | —    |       | I <sub>C</sub> = 24A, V <sub>GE</sub> = 15V, T <sub>J</sub> = 150°C       | 9,10,11 |
|  |   | —    | 2.04 | —    |       | I <sub>C</sub> = 24A, V <sub>GE</sub> = 15V, T <sub>J</sub> = 175°C       |         |
| V <sub>GE(th)</sub>                    | Gate Threshold Voltage                  | 4.0  | —    | 6.5  | V     | V <sub>CE</sub> = V <sub>GE</sub> , I <sub>C</sub> = 700μA                | 9, 10,  |
| ΔV <sub>GE(th)</sub> /ΔT <sub>J</sub>  | Threshold Voltage temp. coefficient     | —    | -18  | —    | mV/°C | V <sub>CE</sub> = V <sub>GE</sub> , I <sub>C</sub> = 1.0mA (25°C - 175°C) | 11, 12  |
| g <sub>fe</sub>                        | Forward Transconductance                | —    | 17   | —    | S     | V <sub>CE</sub> = 50V, I <sub>C</sub> = 24A, PW = 80μs                    |         |
| I <sub>CES</sub>                       | Collector-to-Emitter Leakage Current    | —    | 2.0  | 25   | μA    | V <sub>GE</sub> = 0V, V <sub>CE</sub> = 600V                              |         |
|  |   | —    | 775  | —    |       | V <sub>GE</sub> = 0V, V <sub>CE</sub> = 600V, T <sub>J</sub> = 175°C      |         |
| V <sub>FM</sub>                        | Diode Forward Voltage Drop              | —    | 1.80 | 2.6  | V     | I <sub>F</sub> = 24A  | 8       |
|  |   | —    | 1.28 | —    |       | I <sub>F</sub> = 24A, T <sub>J</sub> = 175°C                              |         |
| I <sub>GES</sub>                       | Gate-to-Emitter Leakage Current         | —    | —    | ±100 | nA    | V <sub>GE</sub> = ±20V  |         |

**Switching Characteristics @ T<sub>J</sub> = 25°C (unless otherwise specified)**

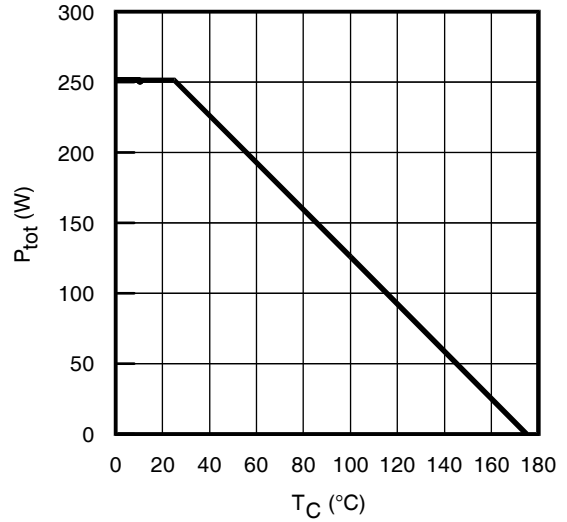
|                     | Parameter                            | Min.        | Typ. | Max. | Units   | Conditions   | Ref.Fig        |
|---------------------|--------------------------------------|-------------|------|------|---|--|----------------|
| Q <sub>g</sub>      | Total Gate Charge (turn-on)          | —           | 50   | 75   | nC  | I <sub>C</sub> = 24A   | 24             |
| Q <sub>ge</sub>     | Gate-to-Emitter Charge (turn-on)     | —           | 13   | 20   |   | V <sub>GE</sub> = 15V  | CT1            |
| Q <sub>gc</sub>     | Gate-to-Collector Charge (turn-on)   | —           | 21   | 31   |   | V <sub>CC</sub> = 400V   |                |
| E <sub>on</sub>     | Turn-On Switching Loss               | —           | 115  | 201  | μJ  | I <sub>C</sub> = 24A, V <sub>CC</sub> = 400V, V <sub>GE</sub> = 15V  | CT4            |
| E <sub>off</sub>    | Turn-Off Switching Loss              | —           | 600  | 700  |   | R <sub>G</sub> = 10Ω, L = 200μH, L <sub>S</sub> = 150nH, T <sub>J</sub> = 25°C   |                |
| E <sub>total</sub>  | Total Switching Loss                 | —           | 715  | 901  |   | Energy losses include tail & diode reverse recovery  |                |
| t <sub>d(on)</sub>  | Turn-On delay time                   | —           | 41   | 53   | ns  | I <sub>C</sub> = 24A, V <sub>CC</sub> = 400V, V <sub>GE</sub> = 15V<br>R <sub>G</sub> = 10Ω, L = 200μH, L <sub>S</sub> = 150nH, T <sub>J</sub> = 25°C    | CT4            |
| t <sub>r</sub>      | Rise time                            | —           | 22   | 31   |   |  |                |
| t <sub>d(off)</sub> | Turn-Off delay time                  | —           | 104  | 115  |   |  |                |
| t <sub>f</sub>      | Fall time                            | —           | 29   | 41   |   |  |                |
| E <sub>on</sub>     | Turn-On Switching Loss               | —           | 420  | —    |   |  |                |
| E <sub>off</sub>    | Turn-Off Switching Loss              | —           | 840  | —    | CT4   |  |                |
| E <sub>total</sub>  | Total Switching Loss                 | —           | 1260 | —    | Energy losses include tail & diode reverse recovery | WF1, WF2   |                |
| t <sub>d(on)</sub>  | Turn-On delay time                   | —           | 40   | —    | ns  | I <sub>C</sub> = 24A, V <sub>CC</sub> = 400V, V <sub>GE</sub> = 15V<br>R <sub>G</sub> = 10Ω, L = 200μH, L <sub>S</sub> = 150nH<br>T <sub>J</sub> = 175°C | 14, 16         |
| t <sub>r</sub>      | Rise time                            | —           | 24   | —    |   |  | CT4            |
| t <sub>d(off)</sub> | Turn-Off delay time                  | —           | 125  | —    |   |  | WF1            |
| t <sub>f</sub>      | Fall time                            | —           | 39   | —    |   |  | WF2            |
| C <sub>ies</sub>    | Input Capacitance                    | —           | 1490 | —    | pF  | V <sub>GE</sub> = 0V<br>V <sub>CC</sub> = 30V<br>f = 1.0Mhz  | 23             |
| C <sub>oes</sub>    | Output Capacitance                   | —           | 129  | —    |   |  |                |
| C <sub>res</sub>    | Reverse Transfer Capacitance         | —           | 45   | —    |   |  |                |
| RBSOA               | Reverse Bias Safe Operating Area     | FULL SQUARE |      |      |   | T <sub>J</sub> = 175°C, I <sub>C</sub> = 96A<br>V <sub>CC</sub> = 480V, V <sub>p</sub> = 600V<br>R <sub>G</sub> = 10Ω, V <sub>GE</sub> = +20V to 0V      | 4<br>CT2       |
| SCSOA               | Short Circuit Safe Operating Area    | 5           | —    | —    | μs  | V <sub>CC</sub> = 400V, V <sub>p</sub> = 600V<br>R <sub>G</sub> = 10Ω, V <sub>GE</sub> = +15V to 0V  | 22, CT3<br>WF4 |
| E <sub>rec</sub>    | Reverse Recovery Energy of the Diode | —           | 621  | —    | μJ  | T <sub>J</sub> = 175°C   | 17, 18, 19     |
| t <sub>rr</sub>     | Diode Reverse Recovery Time          | —           | 89   | —    | ns  | V <sub>CC</sub> = 400V, I <sub>F</sub> = 24A   | 20, 21         |
| I <sub>rr</sub>     | Peak Reverse Recovery Current        | —           | 37   | —    | A   | V <sub>GE</sub> = 15V, R <sub>G</sub> = 10Ω, L = 200μH, L <sub>S</sub> = 150nH   | WF3            |

**Notes:**

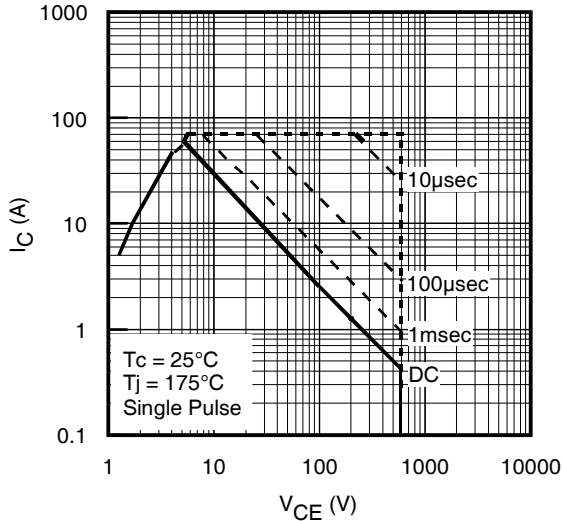
- ① V<sub>CC</sub> = 80% (V<sub>CES</sub>), V<sub>GE</sub> = 20V, L = 100μH, R<sub>G</sub> = 10Ω.
- ② This is only applied to TO-220AB package.
- ③ Pulse width limited by max. junction temperature.
- ④ Refer to AN-1086 for guidelines for measuring V<sub>(BR)CES</sub> safely.



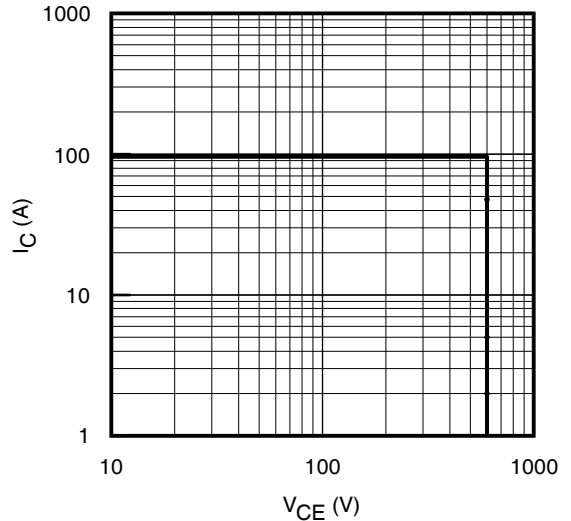
**Fig. 1** - Maximum DC Collector Current vs. Case Temperature



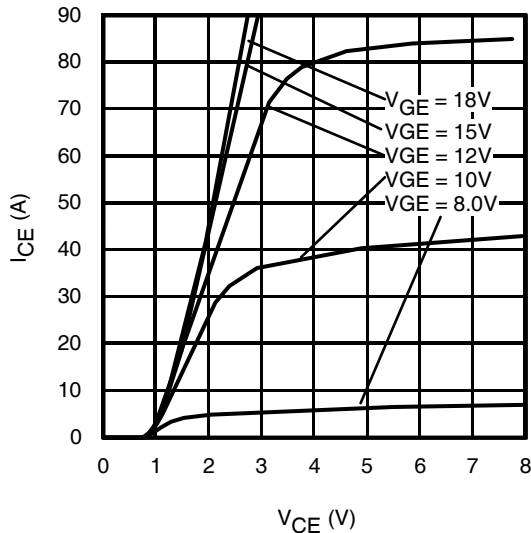
**Fig. 2** - Power Dissipation vs. Case Temperature



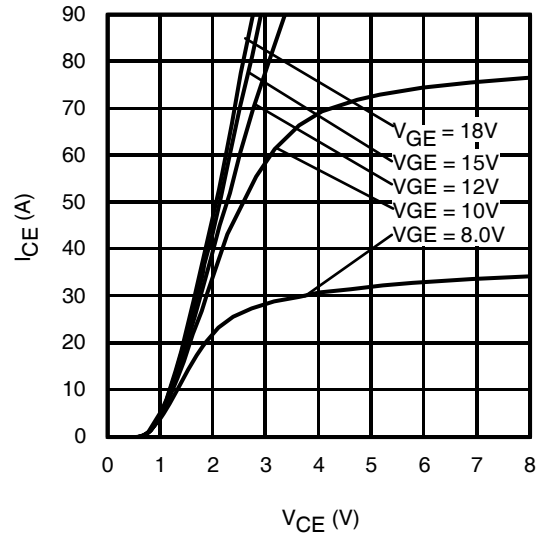
**Fig. 3** - Forward SOA  
 $T_C = 25^\circ\text{C}$ ,  $T_J \leq 175^\circ\text{C}$ ;  $V_{GE} = 15\text{V}$



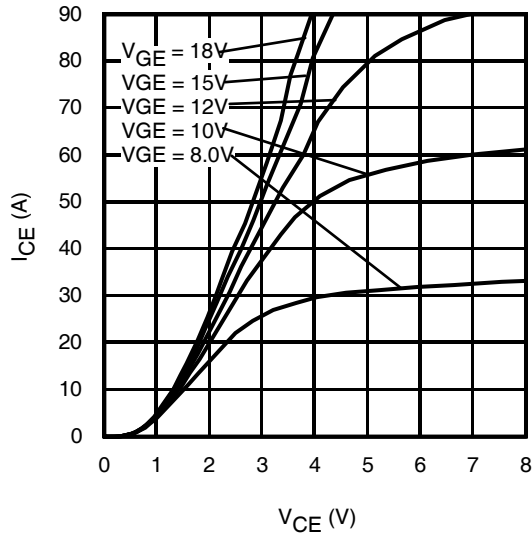
**Fig. 4** - Reverse Bias SOA  
 $T_J = 175^\circ\text{C}$ ;  $V_{GE} = 20\text{V}$



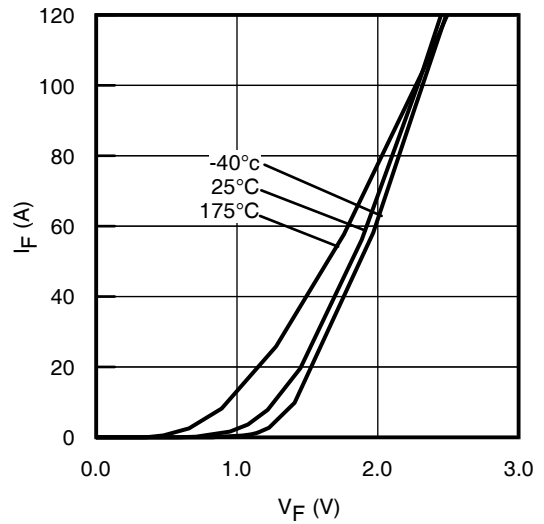
**Fig. 5** - Typ. IGBT Output Characteristics  
 $T_J = -40^\circ\text{C}$ ;  $t_p = 80\mu\text{s}$



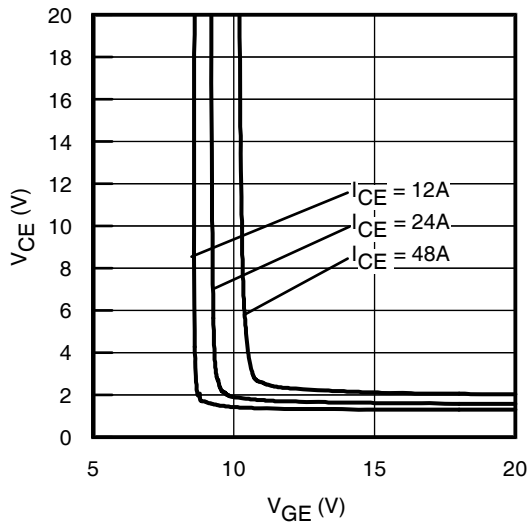
**Fig. 6** - Typ. IGBT Output Characteristics  
 $T_J = 25^\circ\text{C}$ ;  $t_p = 80\mu\text{s}$



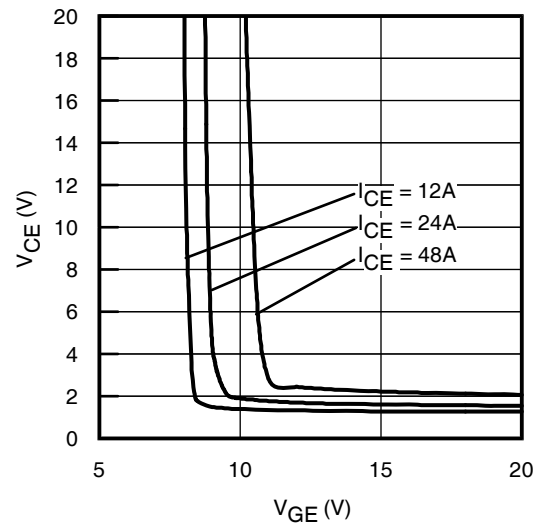
**Fig. 7 - Typ. IGBT Output Characteristics**  
 $T_J = 175^\circ\text{C}$ ;  $t_p = 80\mu\text{s}$



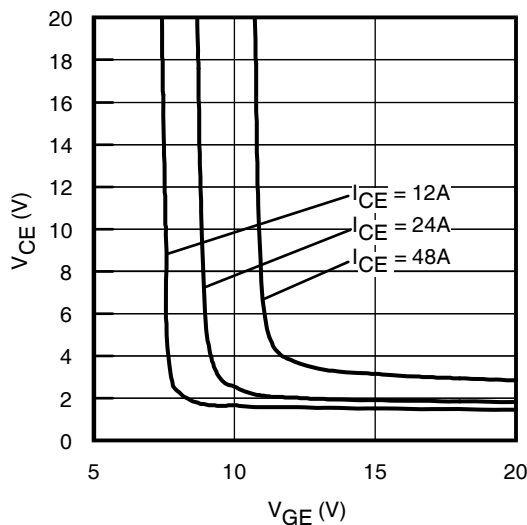
**Fig. 8 - Typ. Diode Forward Characteristics**  
 $t_p = 80\mu\text{s}$



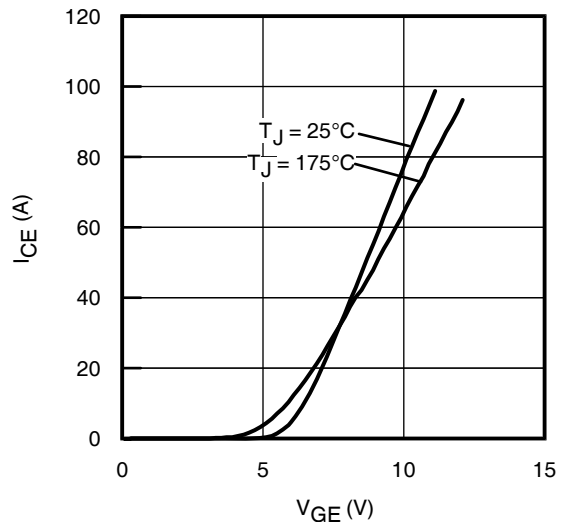
**Fig. 9 - Typical  $V_{CE}$  vs.  $V_{GE}$**   
 $T_J = -40^\circ\text{C}$



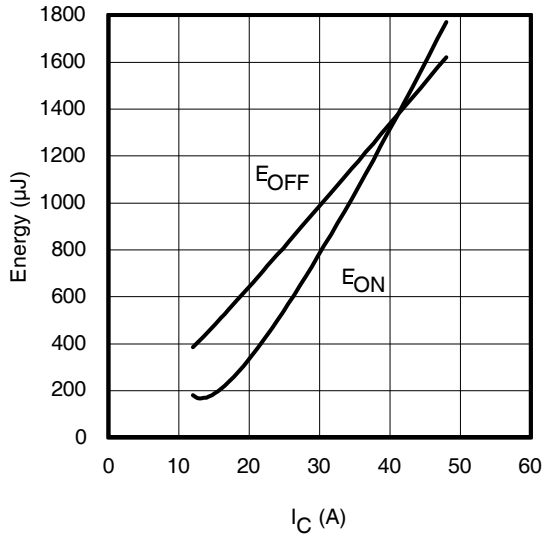
**Fig. 10 - Typical  $V_{CE}$  vs.  $V_{GE}$**   
 $T_J = 25^\circ\text{C}$



**Fig. 11 - Typical  $V_{CE}$  vs.  $V_{GE}$**   
 $T_J = 175^\circ\text{C}$

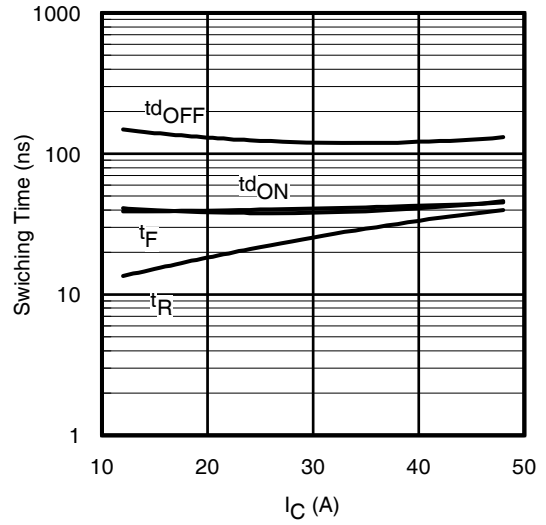


**Fig. 12 - Typ. Transfer Characteristics**  
 $V_{CE} = 50\text{V}$ ;  $t_p = 10\mu\text{s}$



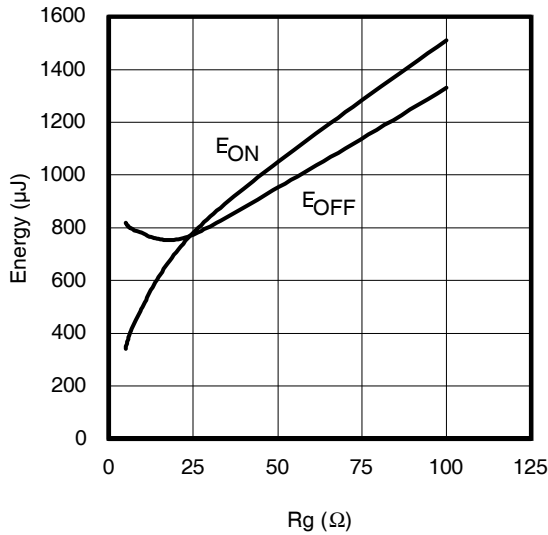
**Fig. 13** - Typ. Energy Loss vs.  $I_C$

$T_J = 175^\circ\text{C}$ ;  $L = 200\mu\text{H}$ ;  $V_{CE} = 400\text{V}$ ,  $R_G = 10\Omega$ ;  $V_{GE} = 15\text{V}$



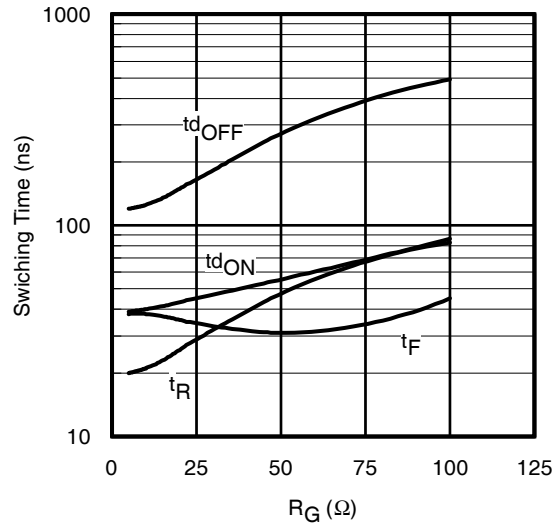
**Fig. 14** - Typ. Switching Time vs.  $I_C$

$T_J = 175^\circ\text{C}$ ;  $L = 200\mu\text{H}$ ;  $V_{CE} = 400\text{V}$ ,  $R_G = 10\Omega$ ;  $V_{GE} = 15\text{V}$



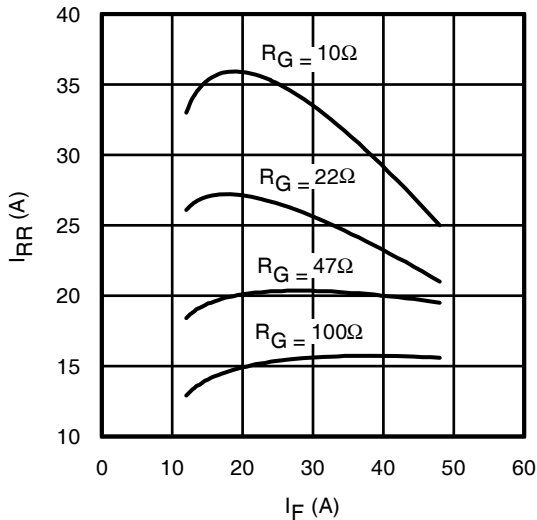
**Fig. 15** - Typ. Energy Loss vs.  $R_G$

$T_J = 175^\circ\text{C}$ ;  $L = 200\mu\text{H}$ ;  $V_{CE} = 400\text{V}$ ,  $I_{CE} = 24\text{A}$ ;  $V_{GE} = 15\text{V}$



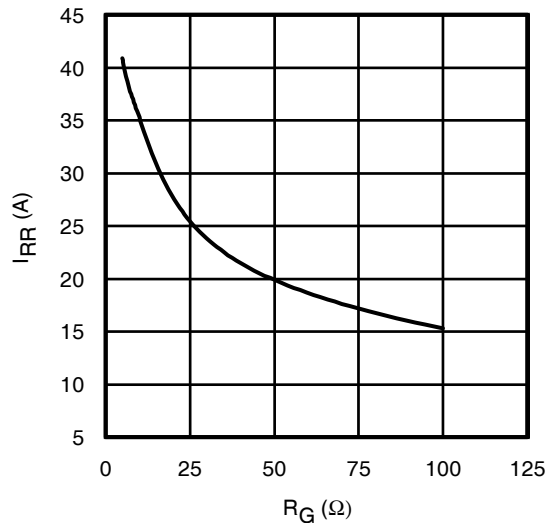
**Fig. 16** - Typ. Switching Time vs.  $R_G$

$T_J = 175^\circ\text{C}$ ;  $L = 200\mu\text{H}$ ;  $V_{CE} = 400\text{V}$ ,  $I_{CE} = 24\text{A}$ ;  $V_{GE} = 15\text{V}$



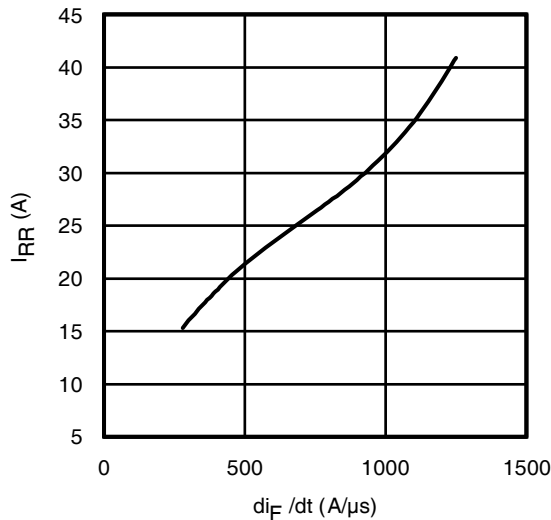
**Fig. 17** - Typ. Diode  $I_{RR}$  vs.  $I_F$

$T_J = 175^\circ\text{C}$

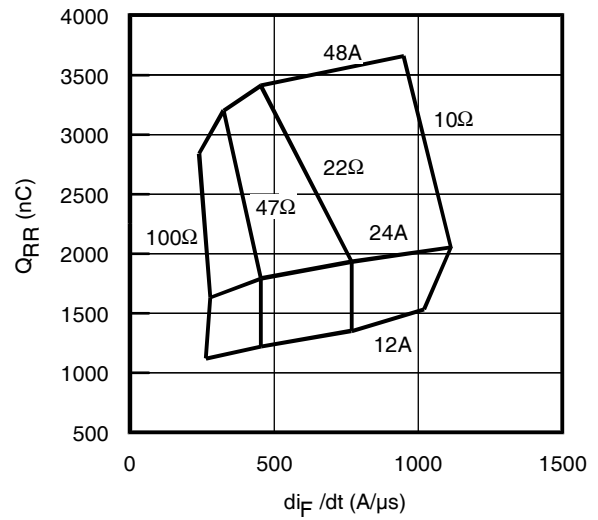


**Fig. 18** - Typ. Diode  $I_{RR}$  vs.  $R_G$

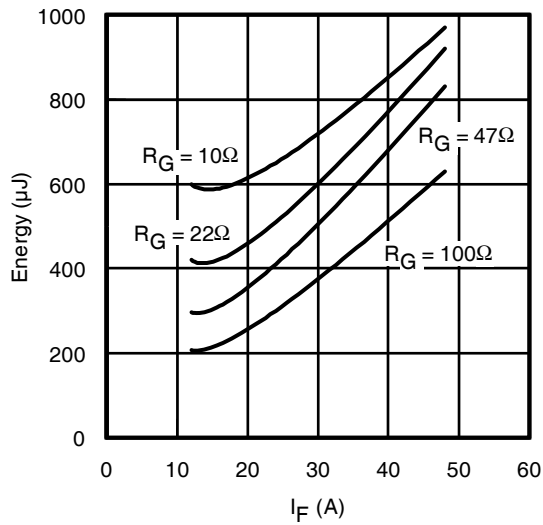
$T_J = 175^\circ\text{C}$



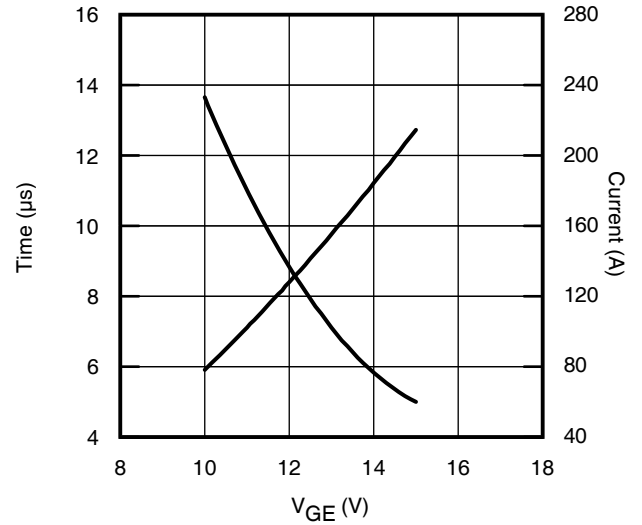
**Fig. 19** - Typ. Diode  $I_{RR}$  vs.  $di_F/dt$   
 $V_{CC} = 400V$ ;  $V_{GE} = 15V$ ;  $I_F = 24A$ ;  $T_J = 175^\circ C$



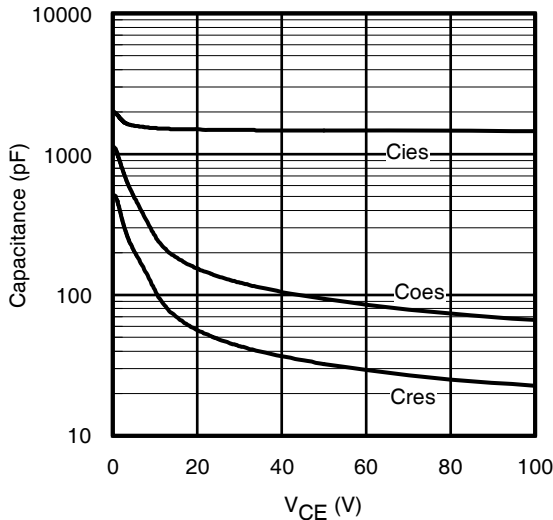
**Fig. 20** - Typ. Diode  $Q_{RR}$  vs.  $di_F/dt$   
 $V_{CC} = 400V$ ;  $V_{GE} = 15V$ ;  $T_J = 175^\circ C$



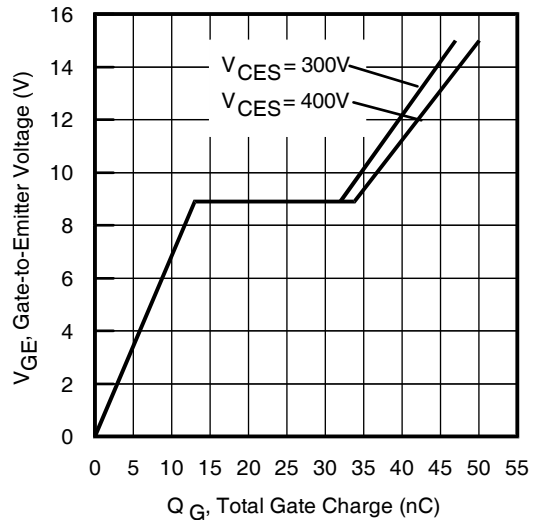
**Fig. 21** - Typ. Diode  $E_{RR}$  vs.  $I_F$   
 $T_J = 175^\circ C$



**Fig. 22** -  $V_{GE}$  vs. Short Circuit Time  
 $V_{CC} = 400V$ ;  $T_C = 25^\circ C$



**Fig. 23** - Typ. Capacitance vs.  $V_{CE}$   
 $V_{GE} = 0V$ ;  $f = 1MHz$



**Fig. 24** - Typical Gate Charge vs.  $V_{GE}$   
 $I_{CE} = 24A$ ;  $L = 600\mu H$

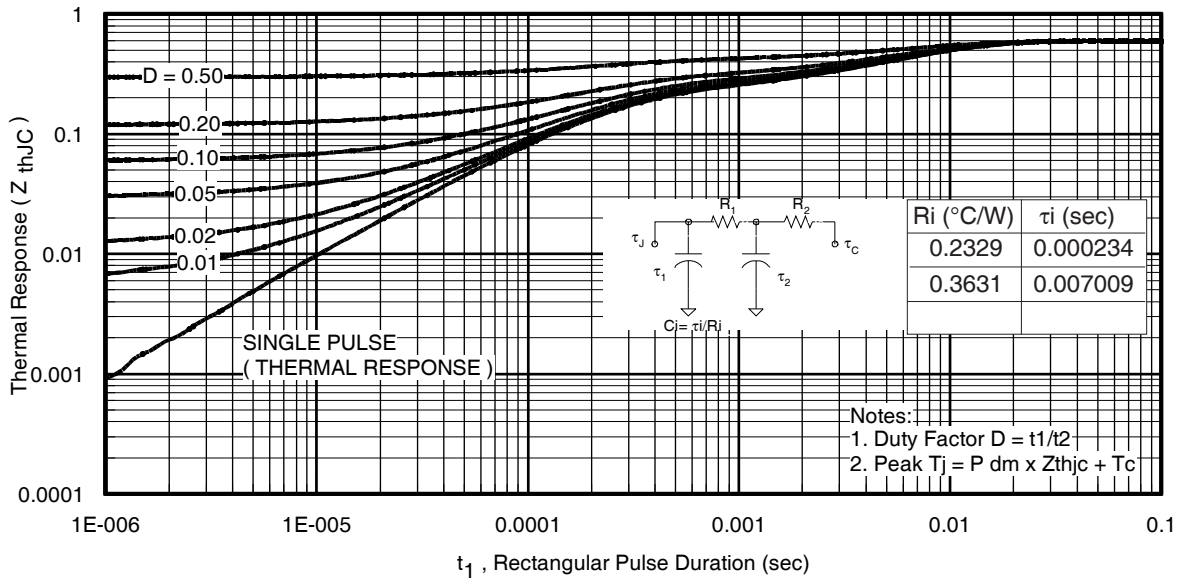


Fig 25. Maximum Transient Thermal Impedance, Junction-to-Case (IGBT) TO-220AB

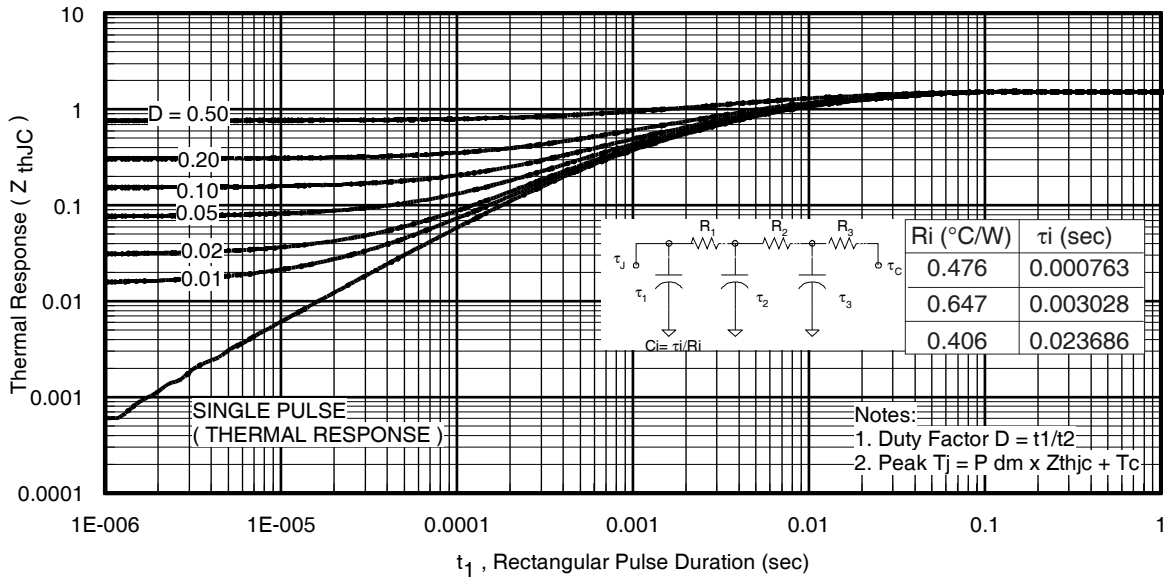


Fig. 26. Maximum Transient Thermal Impedance, Junction-to-Case (DIODE) TO-220AB

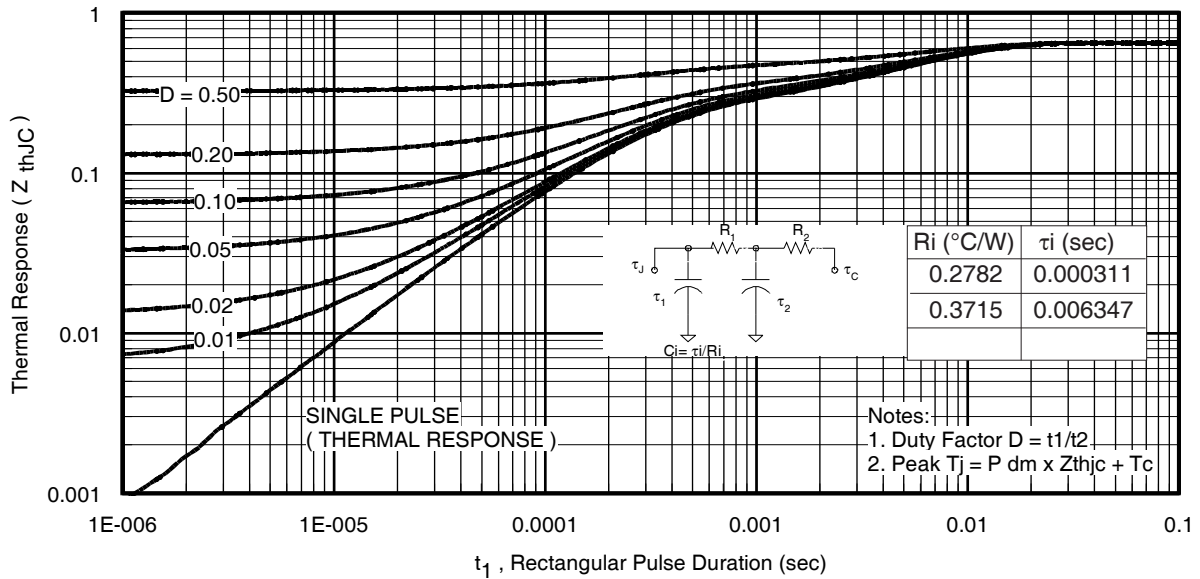


Fig 27. Maximum Transient Thermal Impedance, Junction-to-Case (IGBT) TO-247

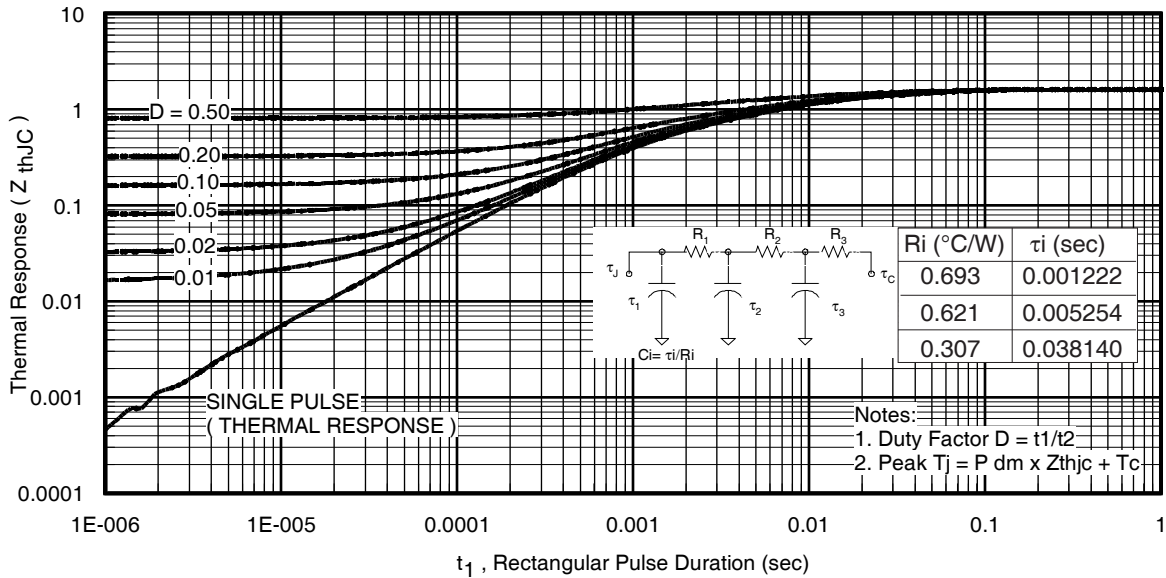


Fig. 28. Maximum Transient Thermal Impedance, Junction-to-Case (DIODE) TO-247



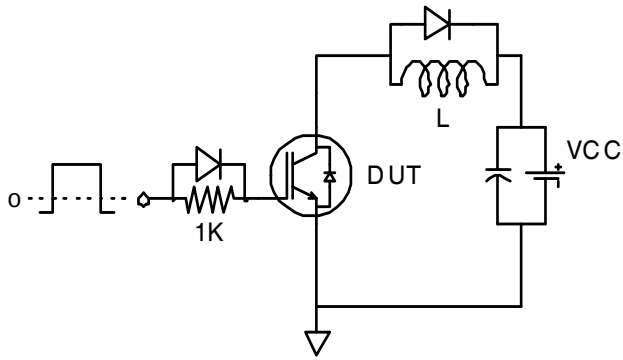


Fig.C.T.1 - Gate Charge Circuit (turn-off)

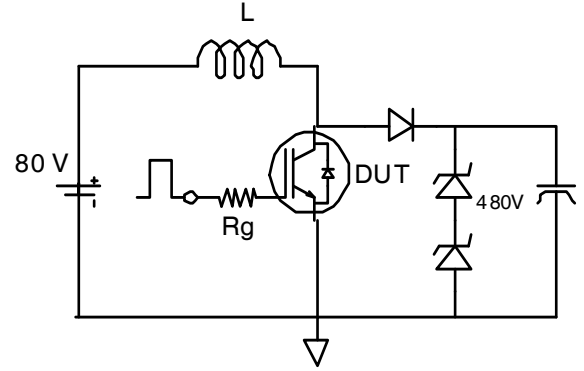


Fig.C.T.2 - RBSOA Circuit

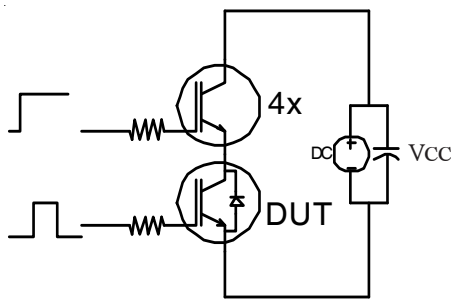


Fig.C.T.3 - S.C. SOA Circuit

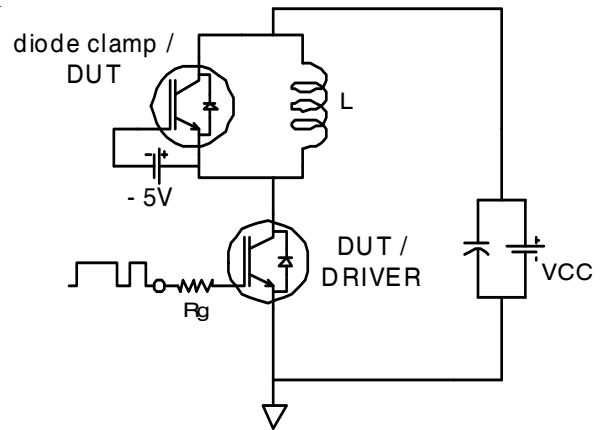


Fig.C.T.4 - Switching Loss Circuit

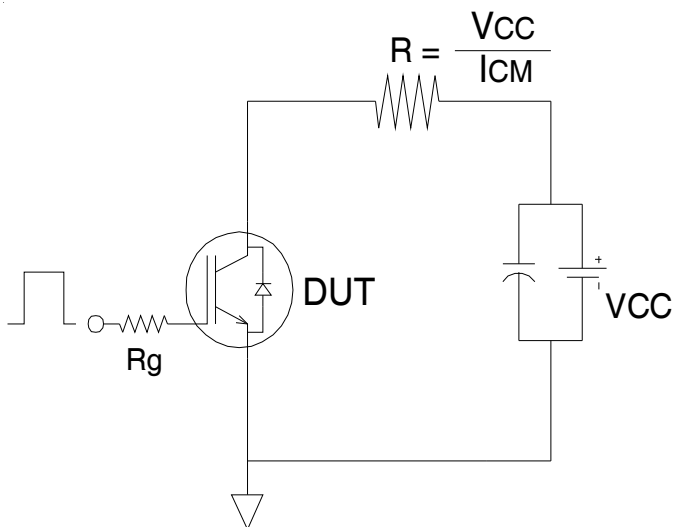


Fig.C.T.5 - Resistive Load Circuit

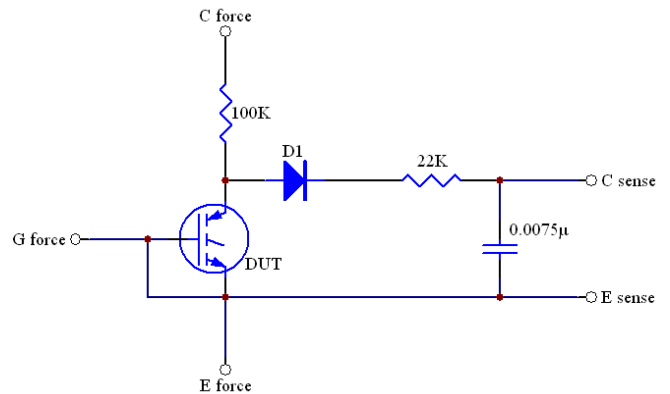
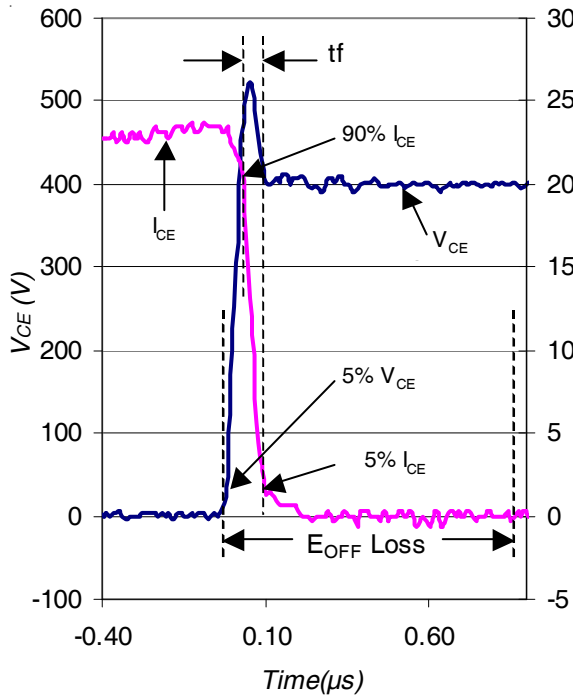
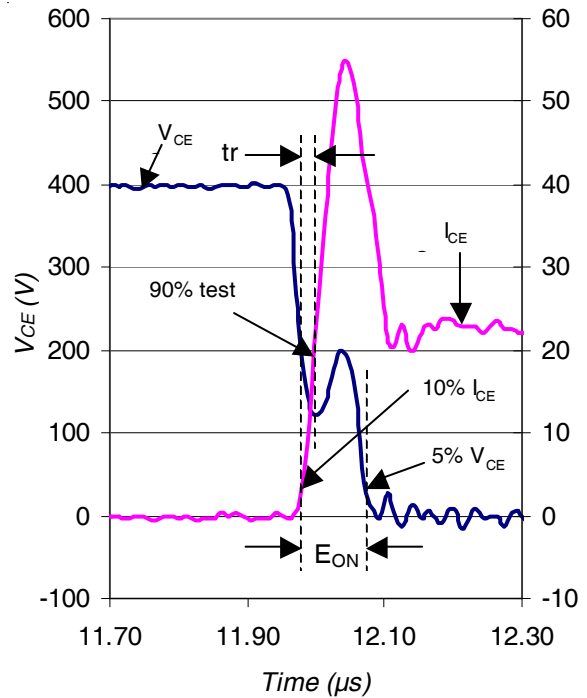


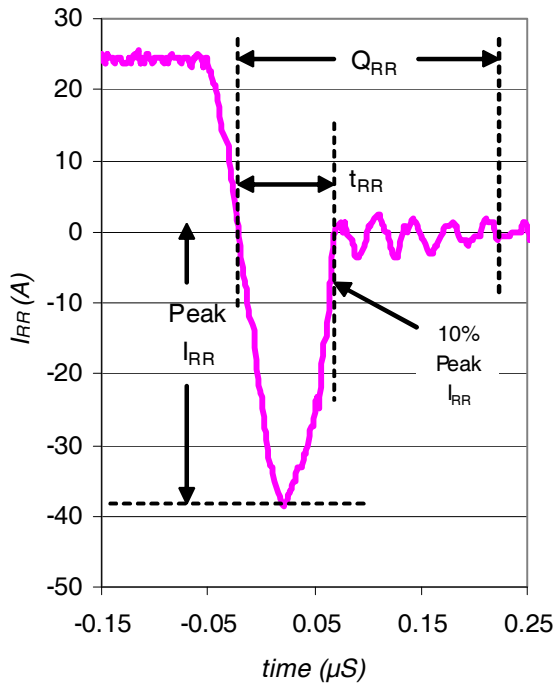
Fig.C.T.6 - BVCES Filter Circuit



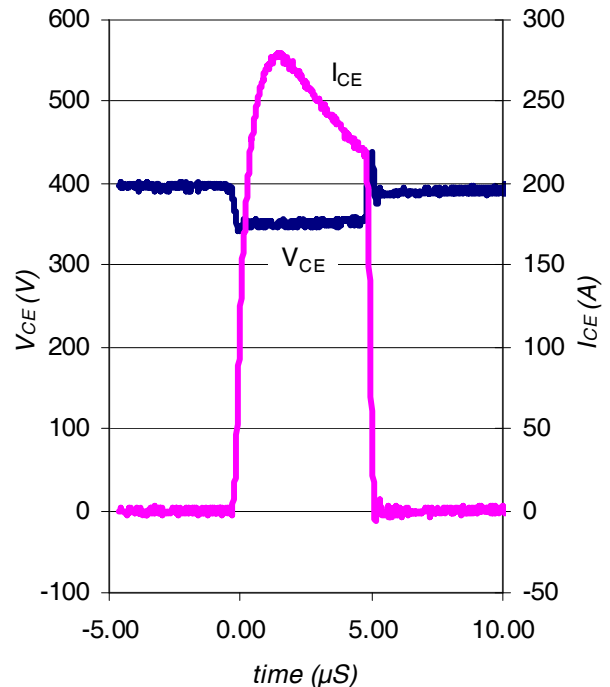
**Fig. WF1** - Typ. Turn-off Loss Waveform  
@  $T_J = 175^\circ\text{C}$  using Fig. CT.4



**Fig. WF2** - Typ. Turn-on Loss Waveform  
@  $T_J = 175^\circ\text{C}$  using Fig. CT.4



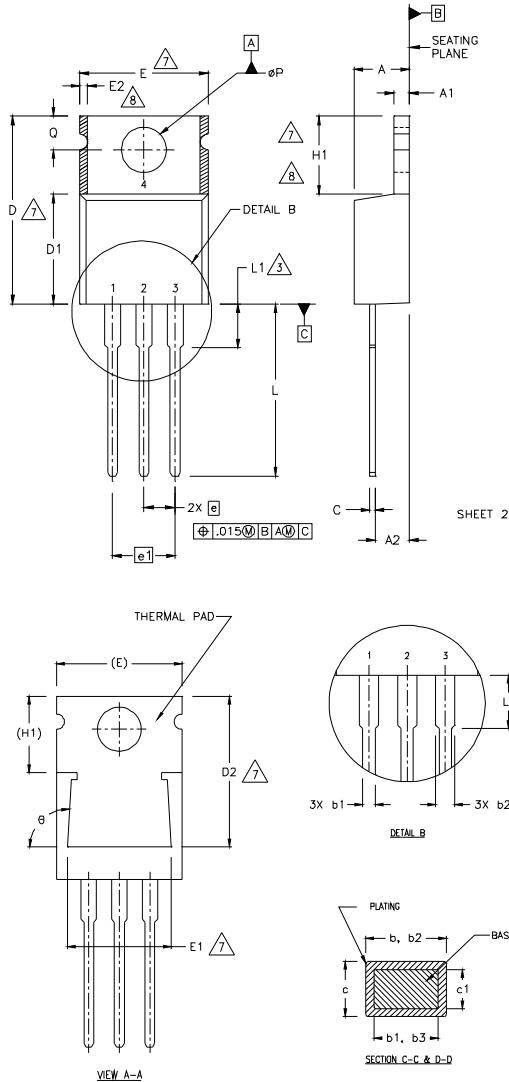
**Fig. WF3** - Typ. Diode Recovery Waveform  
@  $T_J = 175^\circ\text{C}$  using Fig. CT.4



**Fig. WF4** - Typ. S.C. Waveform  
@  $T_J = 25^\circ\text{C}$  using Fig. CT.3

### TO-220AB Package Outline

Dimensions are shown in millimeters (inches)



- NOTES:
- 1 DIMENSIONING AND TOLERANCING PER ASME Y14.5 M- 1994.
  - 2 DIMENSIONS ARE SHOWN IN INCHES [MILLIMETERS].
  - 3 LEAD DIMENSION AND FINISH UNCONTROLLED IN L1.
  - 4 DIMENSION D & E DO NOT INCLUDE MOLD FLASH. MOLD FLASH SHALL NOT EXCEED .005" (0.127) PER SIDE. THESE DIMENSIONS ARE MEASURED AT THE OUTERMOST EXTREMES OF THE PLASTIC BODY.
  - 5 DIMENSION b1 & c1 APPLY TO BASE METAL ONLY. CONTROLLING DIMENSION : INCHES.
  - 6
  - 7 THERMAL PAD CONTOUR OPTIONAL WITHIN DIMENSIONS E,H1,D2 & E1
  - 8 DIMENSION E2 X H1 DEFINE A ZONE WHERE STAMPING AND SINGULATION IRREGULARITIES ARE ALLOWED.

LEAD ASSIGNMENTS

HEXFET

- 1- GATE
- 2- DRAIN
- 3- SOURCE

IGBTs, CoPACK

- 1- GATE
- 2- COLLECTOR
- 3- EMITTER

DIODES

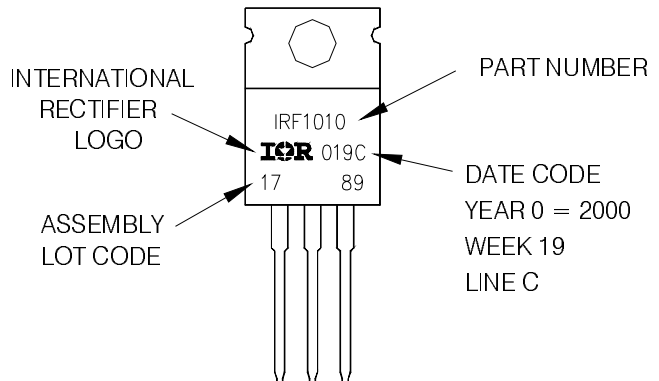
- 1.- ANODE/OPEN
- 2.- CATHODE
- 3.- ANODE

| SYMBOL | DIMENSIONS  |       |          |      | NOTES |
|--------|-------------|-------|----------|------|-------|
|        | MILLIMETERS |       | INCHES   |      |       |
|        | MIN.        | MAX.  | MIN.     | MAX. |       |
| A      | 3.56        | 4.82  | .140     | .190 |       |
| A1     | 0.51        | 1.40  | .020     | .055 |       |
| A2     | 2.04        | 2.92  | .080     | .115 |       |
| b      | 0.38        | 1.01  | .015     | .040 |       |
| b1     | 0.38        | 0.96  | .015     | .038 | 5     |
| b2     | 1.15        | 1.77  | .045     | .070 |       |
| b3     | 1.15        | 1.73  | .045     | .068 |       |
| c      | 0.36        | 0.61  | .014     | .024 |       |
| c1     | 0.36        | 0.56  | .014     | .022 | 5     |
| D      | 14.22       | 16.51 | .560     | .650 | 4     |
| D1     | 8.38        | 9.02  | .330     | .355 |       |
| D2     | 12.19       | 12.88 | .480     | .507 | 7     |
| E      | 9.66        | 10.66 | .380     | .420 | 4,7   |
| E1     | 8.38        | 8.89  | .330     | .350 | 7     |
| e      | 2.54 BSC    |       | .100 BSC |      |       |
| e1     | 5.08        |       | .200 BSC |      |       |
| H1     | 5.85        | 6.55  | .230     | .270 | 7,8   |
| L      | 12.70       | 14.73 | .500     | .580 |       |
| L1     | -           | 6.35  | -        | .250 | 3     |
| øP     | 3.54        | 4.08  | .139     | .161 |       |
| Q      | 2.54        | 3.42  | .100     | .135 |       |
| ø      | 90°-93°     |       | 90°-93°  |      |       |

### TO-220AB Part Marking Information

EXAMPLE: THIS IS AN IRF1010  
 LOT CODE 1789  
 ASSEMBLED ON WW 19, 2000  
 IN THE ASSEMBLY LINE "C"

Note: "P" in assembly line position indicates "Lead - Free"

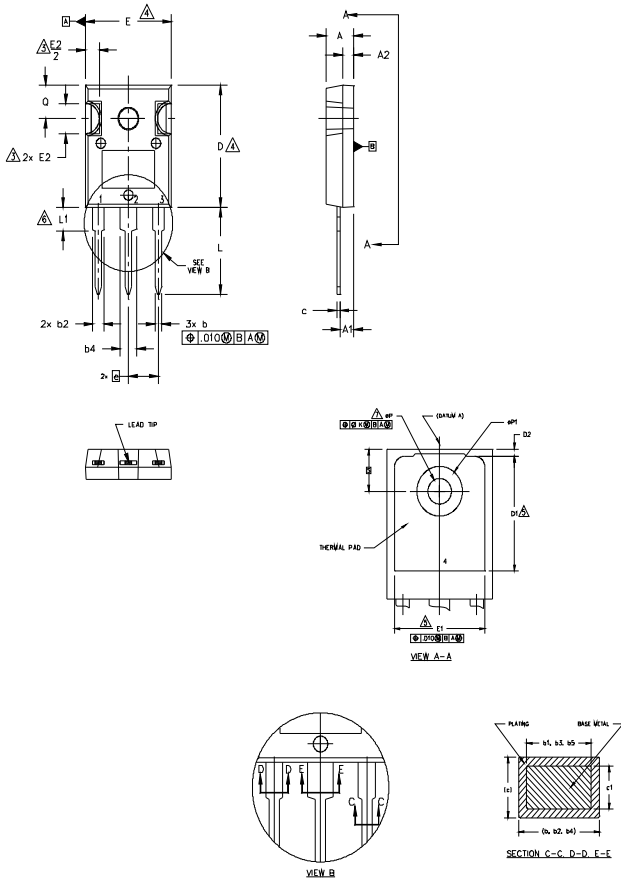


TO-220AB package is not recommended for Surface Mount Application.

Note: For the most current drawing please refer to IR website at <http://www.irf.com/package/>

### TO-247AC Package Outline

Dimensions are shown in millimeters (inches)



NOTES:

1. DIMENSIONING AND TOLERANCING AS PER ASME Y14.5M 1994.
2. DIMENSIONS ARE SHOWN IN INCHES.
3. CONTOUR OF SLOT OPTIONAL.
4. DIMENSION D & E DO NOT INCLUDE MOLD FLASH. MOLD FLASH SHALL NOT EXCEED .005" (0.127) PER SIDE. THESE DIMENSIONS ARE MEASURED AT THE OUTERMOST EXTREMES OF THE PLASTIC BODY.
5. THERMAL PAD CONTOUR OPTIONAL WITHIN DIMENSIONS D1 & E1.
6. LEAD FINISH UNCONTROLLED IN L1.
7. ØP TO HAVE A MAXIMUM DRAFT ANGLE OF 1.5 ° TO THE TOP OF THE PART WITH A MAXIMUM HOLE DIAMETER OF .154 INCH.
8. OUTLINE CONFORMS TO JEDEC OUTLINE TO-247AC.

| SYMBOL | DIMENSIONS |      |             |       | NOTES |
|--------|------------|------|-------------|-------|-------|
|        | INCHES     |      | MILLIMETERS |       |       |
|        | MIN.       | MAX. | MIN.        | MAX.  |       |
| A      | .183       | .209 | 4.65        | 5.31  |       |
| A1     | .087       | .102 | 2.21        | 2.59  |       |
| A2     | .059       | .098 | 1.50        | 2.49  |       |
| b      | .039       | .055 | 0.99        | 1.40  |       |
| b1     | .039       | .053 | 0.99        | 1.35  |       |
| b2     | .065       | .094 | 1.65        | 2.39  |       |
| b3     | .065       | .092 | 1.65        | 2.34  |       |
| b4     | .102       | .135 | 2.59        | 3.43  |       |
| b5     | .102       | .133 | 2.59        | 3.38  |       |
| c      | .015       | .035 | 0.38        | 0.89  |       |
| c1     | .015       | .033 | 0.38        | 0.84  |       |
| D      | .776       | .815 | 19.71       | 20.70 | 4     |
| D1     | .515       | -    | 13.08       | -     | 5     |
| D2     | .020       | .053 | 0.51        | 1.35  |       |
| E      | .602       | .625 | 15.29       | 15.87 | 4     |
| E1     | .530       | -    | 13.46       | -     |       |
| E2     | .178       | .216 | 4.52        | 5.49  |       |
| e      | .215 BSC   |      | 5.46 BSC    |       |       |
| Øk     | .010       |      | 0.25        |       |       |
| L      | .559       | .634 | 14.20       | 16.10 |       |
| L1     | .146       | .169 | 3.71        | 4.29  |       |
| ØP     | .140       | .144 | 3.56        | 3.66  |       |
| ØP1    | -          | .291 | -           | 7.39  |       |
| Q      | .209       | .224 | 5.31        | 5.69  |       |
| S      | .217 BSC   |      | 5.51 BSC    |       |       |

LEAD ASSIGNMENTS

HEXFET

- 1.- GATE
- 2.- DRAIN
- 3.- SOURCE
- 4.- DRAIN

IGBTs, CoPACK

- 1.- GATE
- 2.- COLLECTOR
- 3.- EMITTER
- 4.- COLLECTOR

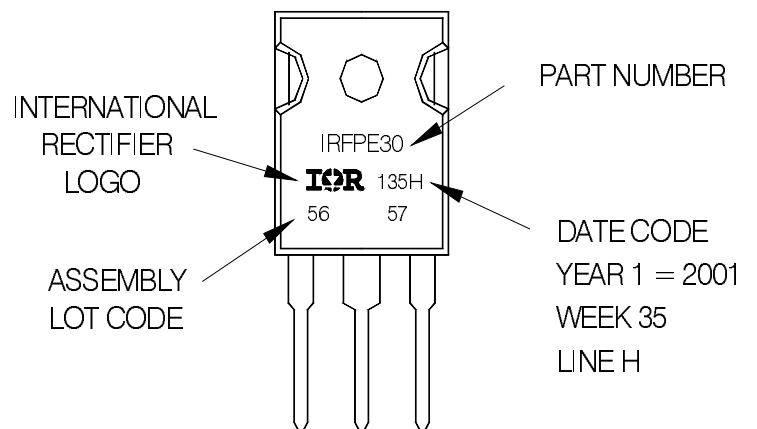
DIODES

- 1.- ANODE/OPEN
- 2.- CATHODE
- 3.- ANODE

### TO-247AC Part Marking Information

EXAMPLE: THIS IS AN IRFPE30  
WITH ASSEMBLY  
LOT CODE 5657  
ASSEMBLED ON WW 35, 2001  
IN THE ASSEMBLY LINE "H"

Note: "P" in assembly line position  
indicates "Lead-Free"

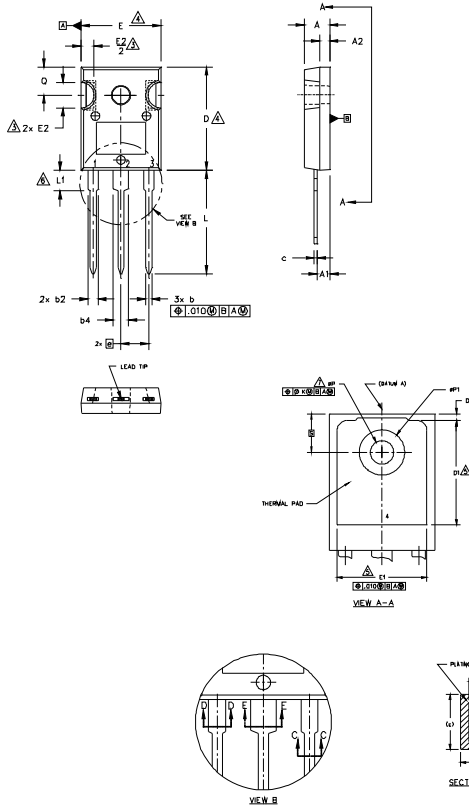


TO-247AC package is not recommended for Surface Mount Application.

Note: For the most current drawing please refer to IR website at <http://www.irf.com/package/>

## TO-247AD Package Outline

Dimensions are shown in millimeters (inches)



- NOTES:
1. DIMENSIONING AND TOLERANCING AS PER ASME Y14.5M 1994.
  2. DIMENSIONS ARE SHOWN IN INCHES.
  3. CONTOUR OF SLOT OPTIONAL.
  4. DIMENSION D & E DO NOT INCLUDE MOLD FLASH. MOLD FLASH SHALL NOT EXCEED .005" (0.127) PER SIDE. THESE DIMENSIONS ARE MEASURED AT THE OUTERMOST EXTREMES OF THE PLASTIC BODY.
  5. THERMAL PAD CONTOUR OPTIONAL WITHIN DIMENSIONS D1 & E1.
  6. LEAD FINISH UNCONTROLLED IN L1.
  7. AP TO HAVE A MAXIMUM DRAFT ANGLE OF 1.5° TO THE TOP OF THE PART WITH A MAXIMUM HOLE DIAMETER OF .154 INCH.
  8. OUTLINE CONFORMS TO JEDEC OUTLINE TO-247AD.

| SYMBOL | DIMENSIONS |      |             |       | NOTES |
|--------|------------|------|-------------|-------|-------|
|        | INCHES     |      | MILLIMETERS |       |       |
| A      | .183       | .209 | 4.65        | 5.31  |       |
| A1     | .087       | .102 | 2.21        | 2.59  |       |
| A2     | .059       | .098 | 1.50        | 2.49  |       |
| b      | .039       | .055 | 0.99        | 1.40  |       |
| b1     | .039       | .053 | 0.99        | 1.35  |       |
| b2     | .065       | .094 | 1.65        | 2.39  |       |
| b3     | .065       | .092 | 1.65        | 2.34  |       |
| b4     | .102       | .135 | 2.59        | 3.43  |       |
| b5     | .102       | .133 | 2.59        | 3.38  |       |
| c      | .015       | .035 | 0.38        | 0.89  |       |
| e1     | .015       | .033 | 0.38        | 0.84  |       |
| D      | .775       | .815 | 19.71       | 20.70 | 4     |
| D1     | .515       | -    | 13.08       | -     | 5     |
| D2     | .020       | .053 | 0.51        | 1.35  |       |
| E      | .602       | .625 | 15.29       | 15.87 | 4     |
| E1     | .530       | -    | 13.46       | -     |       |
| E2     | .178       | .216 | 4.52        | 5.49  |       |
| e      | .215 BSC   |      | 5.46 BSC    |       |       |
| h      | .010       |      | 0.25        |       |       |
| L      | .780       | .827 | 19.57       | 21.00 |       |
| L1     | .146       | .169 | 3.71        | 4.29  |       |
| ØP     | .140       | .144 | 3.56        | 3.66  |       |
| ØP1    | -          | .291 | -           | 7.39  |       |
| Ø      | .209       | .224 | 5.31        | 5.69  |       |
| S      | .217 BSC   |      | 5.51 BSC    |       |       |

**LEAD ASSIGNMENTS**

**HEXFET**

- 1.- GATE
- 2.- DRAIN
- 3.- SOURCE
- 4.- DRAIN

**IGBTs, CoPACK**

- 1.- GATE
- 2.- COLLECTOR
- 3.- EMITTER
- 4.- COLLECTOR

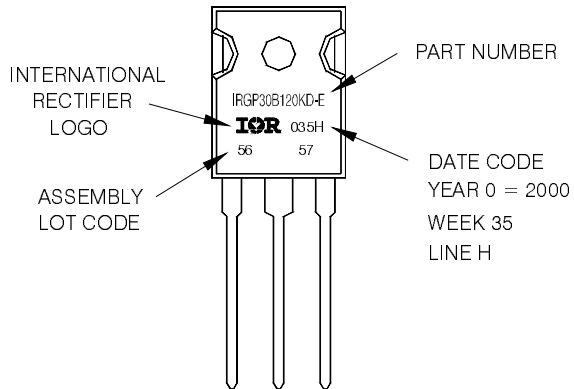
**DIODES**

- 1.- ANODE/OPEN
- 2.- CATHODE
- 3.- ANODE

## TO-247AD Part Marking Information

EXAMPLE: THIS IS AN IRGP30B120KD-E WITH ASSEMBLY LOT CODE 5657 ASSEMBLED ON WW 35, 2000 IN THE ASSEMBLY LINE "H"

Note: "P" in assembly line position indicates "Lead-Free"



TO-247AD package is not recommended for Surface Mount Application.

Note: For the most current drawing please refer to IR website at <http://www.irf.com/package/>

单击下面可查看定价，库存，交付和生命周期等信息

[>>Infineon Technologies\(英飞凌\)](#)