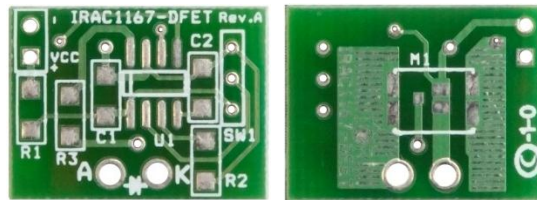


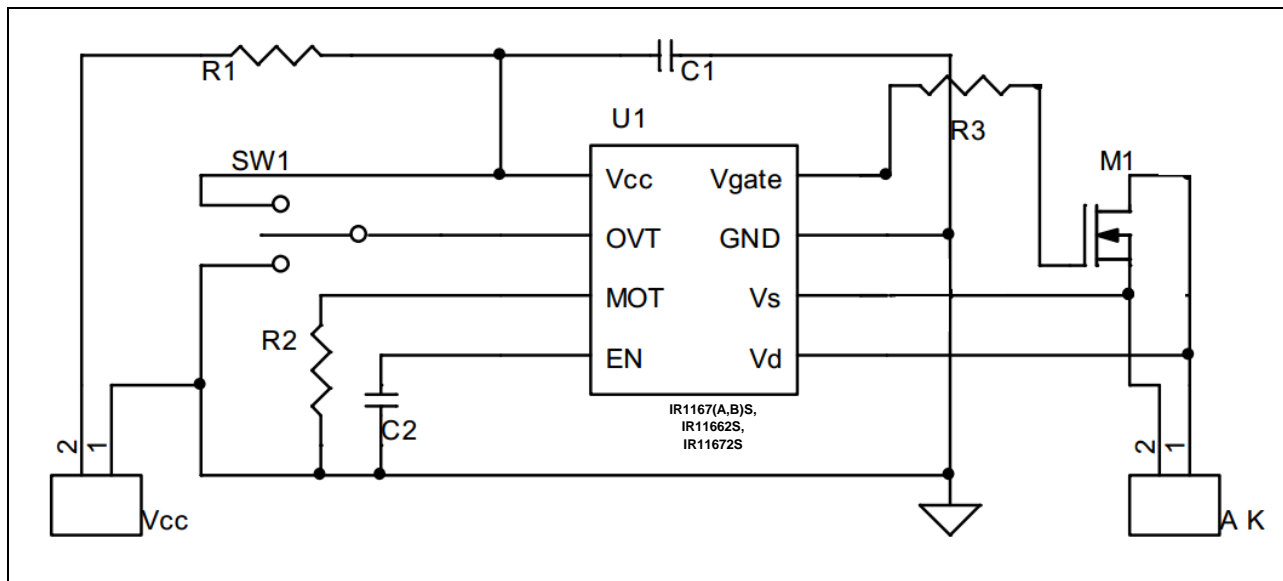
IR1167, IR11662, IR11672 – DirectFET Daughter Card



(top)

(bottom)

The schematic for the daughter board is shown below.



ID	SMD Size	Description
U1	SOIC8	IR1167(A,B)S, IR11662S, IR11672S
R1	1206	V _{CC} Series Resistor
R2	1206	MOT Resistor
R3	2010	Gate Resistor
C1	1210	Decoupling Capacitor
C2	1206	Enable Capacitor
M1	D-FET MN can	Synchronous FETs

SW1 needs to be set according to the following table (See **AN1087** for details)

System Mode of Operation	OVT connected to (typical values)
DCM or CrCM	Ground, $V_{TH1} = -3.5mV$
Boundary CCM	Floating, $V_{TH1} = -10.5mV$
CCM	V _{CC} , $V_{TH1} = -19mV$

The daughter card shown above is designed to allow easy retrofitting in existing systems with minimal changes.

单击下面可查看定价，库存，交付和生命周期等信息

[>>Infineon Technologies\(英飞凌\)](#)