

ATO28XXT SERIES **28V Input, Triple Output**

HYBRID-HIGH RELIABILITY DC/DC CONVERTER

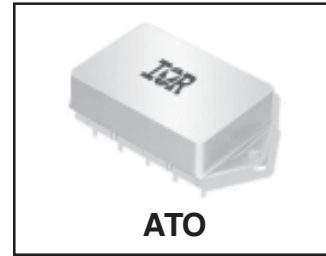
Description

The ATO28XXT Series of DC/DC converters feature high power density and an extended temperature range for use in military and industrial applications. Designed to the nominal input requirements of MIL-STD-704D, these devices have nominal 28VDC inputs with +5V and $\pm 12V$ or +5V and $\pm 15V$ triple outputs to satisfy a wide range of requirements. The circuit design incorporates a pulse width modulated push-pull topology operating in the feed-forward mode at a nominal switching frequency of 250KHz. Input to output isolation is achieved through the use of transformers in the forward and feedback circuits.

The advanced feedback design provides fast loop response for superior line and load transient characteristics and offers greater reliability and radiation tolerance than devices incorporating optical feedback circuits.

Three standard temperature grades are offered. Refer to Part Numbering section. They are provided in a standard plug-in package for PC mounting or in a flanged package for more severe environments.

Manufactured in a facility fully qualified to MIL-PRF-38534, these converters are fabricated utilizing DSCC qualified processes. For available screening options, refer to device screening table in the data sheet. Variations in electrical, mechanical and screening can be accommodated. Extensive computer simulation using complex modeling enables modest design modifications to be accommodated. Contact IR Santa Clara with specific requirements.



Features

- 16V to 40VDC Input Range (28VDC Nominal)
- 5V, $\pm 12V$ or 5V, $\pm 15V$ Outputs Available
- Indefinite Short Circuit and Overload Protection
- 15W Output Power
- Fast Loop Response for Superior Transient Characteristics
- Operating Temperature Range from -55°C to $+125^{\circ}\text{C}$ Available
- Popular Industry Standard Pin-out
- Resistance Seam Welded Case for Superior Long Term Hermeticity
- Efficiencies up to 81%
- Shutdown from External Signal
- 200,000 Hour MTBF at 85°C
- Standard Microcircuit Drawings Available

ATO28XXT Series

Specifications

$T_{CASE} = -55^{\circ}\text{C}$ to $+85^{\circ}\text{C}$, $V_{IN} = +28\text{V} \pm 5\%$ unless otherwise specified

Absolute Maximum Ratings		
Input voltage	-0.5V to +50VDC	
Power Output	Internally limited, 17.5W typical	
Soldering temperature	300°C for 10 seconds	
Temperature Range ⁶	Operating case temperature	-55°C to +115°C
	Storage case temperature	-65°C to +135°C

TEST	SYMBOL	Condition $-55^{\circ}\text{C} \leq T_C \leq +85^{\circ}\text{C}$, $V_{IN} = 28\text{VDC} \pm 5\%$, $C_L = 0$ unless otherwise specified	ATO2812T		ATO2815T		Units	
			Min	Max	Min	Max		
STATIC CHARACTERISTICS OUTPUT Voltage ¹	V_{OUT}	$I_{OUT} = 0$ (main) $I_{OUT} = 0$ (dual) ¹	TC = 25°C	4.95	5.05	4.95	5.05	V
				Over Temp	4.90	5.10	4.90	5.10
Current ^{1,2,3}	I_{OUT}	$V_{IN} = 16, 28, \text{ and } 40\text{VDC}$ (main) $V_{IN} = 16, 28, \text{ and } 40\text{VDC}$ (dual) ¹ $V_{IN} = 16, 28, \text{ and } 40\text{VDC}$ (dual)	TC = 25°C	± 11.88	± 12.12	± 14.85	± 15.15	V
				Over Temp	± 11.76	± 12.24	± 14.70	± 15.30
Ripple Voltage ^{1,4}	V_{RIP}	BW = DC to 2 MHz (main) $V_{IN} = 16, 28, \text{ and } 40\text{VDC}$ BW = DC to 2 MHz (dual))		0.0	2000	0.0	2000	mA
Power ^{1,2,3}	P_{OUT}	$V_{IN} = 16, 28, \text{ and } 40\text{VDC}$ (main) (+dual) (-dual) (total)		0.0	± 208	0.0	± 167	mA
				80	80	80	80	mVp-p
				40		40		mVp-p
				10		10		W
				2.5		2.5		W
				2.5		2.5		W
				15		15		W
REGULATION Line ^{1,3}	V_{RLINE}	$V_{IN} = 16, 28, \text{ and } 40\text{VDC}$ $I_{OUT} = 0, 1000, 2000\text{mA}$ (main) $V_{IN} = 16, 28, \text{ and } 40\text{VDC}$ (dual)	TC = 25°C Over Temp		25		25	mV
Load ^{1,3}	V_{RLOAD}	$I_{OUT} = 0, \pm 84, \pm 167\text{mA}$ (dual) $V_{IN} = 16, 28, \text{ and } 40\text{VDC}$ $I_{OUT} = 0, 1000, 2000\text{mA}$ (main) $V_{IN} = 16, 28, \text{ and } 40\text{VDC}$ $I_{OUT} = 0, \pm 84, \pm 167\text{mA}$ (dual)			± 30		± 35	
				50		50		
					± 60		± 75	
INPUT Current	I_{IN}	$I_{OUT} = 0$, Inhibit (pin 8) Tied to input return (pin 10)			15		15	mA
Ripple Current ⁴	I_{RIP}	$I_{OUT} = 0$, inhibit (pin 2) = open $I_{OUT} = 2000\text{mA}$ (main) $I_{OUT} = \pm 167\text{mA}$ (dual) BW = DC to 2MHz			40		40	mA
					50		50	mA
EFFICIENCY	E_{FF}	$I_{OUT} = 2000\text{mA}$ (main) $I_{OUT} = \pm 167\text{mA}$ (dual)	TC = 25°C	76		76		%
ISOLATION	ISO	Input to output or any pin to case (except pin 7) at 500 VDC	TC = 25°C	100		100		MΩ
Load Fault Power Dissipation ³	P_D	Overload Short Circuit	TC = 25°C		8.0 6.0		8.0 6.0	W
Switching Frequency	F_S	$I_{OUT} = 2000\text{mA}$ (main) $I_{OUT} = \pm 167\text{mA}$ (dual)		225	275	225	275	KHz
Inhibit Open Circuit Voltage	V_{OI}			9.0	13	9.0	13	V

Notes to Specifications

1. Tested at each output.
2. Parameter guaranteed by line and load regulation tests.
3. At least 20 percent of the total output power should be taken from the (+5V) main output.
4. Bandwidth guaranteed by design. Tested for 20KHz to 2.0MHz.
5. An overload is that condition with a load in excess of the rated load but less than that necessary to trigger the short circuit protection and is the condition of maximum power dissipation.
6. Above 85°C case temperature, derate output power linearly to 0 at 115°C case.

$T_{CASE} = -55^{\circ}\text{C}$ to $+105^{\circ}\text{C}$, $V_{IN} = +28\text{V} \pm 5\%$ unless otherwise specified

Absolute Maximum Ratings		
Input voltage	-0.5V to +50VDC	
Power Output	Internally limited, 17.5W typical	
Soldering temperature	300°C for 10 seconds	
Temperature Range ⁶	Operating case temperature	-55°C to +125°C
	Storage case temperature	-65°C to +135°C

TEST	SYMBOL	Condition -55°C ≤ T _C ≤ +105°C, V _{IN} = 28 V _{DC} ±5%, C _L =0 unless otherwise specified		ATO2812T/ES		ATO2815T/ES		Units	
				Min	Max	Min	Max		
STATIC CHARACTERISTICS OUTPUT Voltage ¹	V _{OUT}	I _{OUT} = 0 (main)	TC = 25°C Over Temp	4.95	5.05	4.95	5.05	V	
		I _{OUT} = 0 (dual) ¹		4.90	5.10	4.90	5.10	V	
Current ^{1,2,3}	I _{OUT}	V _{IN} = 16, 28, and 40 VDC (main)	TC = 25°C Over Temp	±11.88	±12.12	±14.85	±15.15	V	
Ripple Voltage ^{1,4}	V _{RIP}	V _{IN} = 16, 28, and 40 VDC (dual) ¹		±11.76	±12.24	±14.70	±15.30	V	
Power ^{1,2,3}	P _{OUT}	V _{IN} = 16, 28, and 40 VDC	TC = 25°C Over Temp	0.0	2000	0.0	2000	mA	
		BW = DC to 2 MHz (main)		0.0	±208	0.0	±167	mA	
REGULATION Line ^{1,3}	V _{RLINE}	V _{IN} = 16, 28, and 40 VDC	TC = 25°C Over Temp		80		80	mVp-p	
		I _{OUT} = 0, 1000, 2000mA (main)			40		40	mVp-p	
		V _{IN} = 16, 28, and 40 VDC							
		I _{OUT} = 0, ±84, ±167mA (dual)							
Load ^{1,3}	V _{RLOAD}	V _{IN} = 16, 28, and 40 VDC	TC = 25°C Over Temp		25		25	mV	
		I _{OUT} = 0, 1000, 2000mA (main)			±30		±35		
INPUT Current	I _{IN}	V _{IN} = 16, 28, and 40 VDC	TC = 25°C Over Temp		±60		±75		
		I _{OUT} = 0, ±84, ±167mA (dual)			50		50		
Ripple Current ⁴	I _{RIP}	V _{IN} = 16, 28, and 40 VDC	TC = 25°C Over Temp		±60		±75		
		I _{OUT} = 0, 1000, 2000mA (main)							
EFFICIENCY	E _{FF}	V _{IN} = 16, 28, and 40 VDC	TC = 25°C Over Temp						
		I _{OUT} = 0, ±84, ±167mA (dual)							
ISOLATION	ISO	I _{OUT} = 0, Inhibit (pin 8) Tied to input return (pin 10)	TC = 25°C	76		76		%	
Load Fault Power Dissipation ³	P _D	I _{OUT} = 0, inhibit (pin 2) = open	TC = 25°C		15		15	mA	
		I _{OUT} = 2000 mA (main)			40		40	mA	
Switching Frequency	F _S	I _{OUT} = ±167mA (dual)	TC = 25°C		50		50	mAp-p	
		BW = DC to 2MHz							
Inhibit Open Circuit Voltage	V _{OI}	I _{OUT} = 2000mA (main)	TC = 25°C		100		100	MΩ	
		I _{OUT} = ±167mA (dual)							
Overload, TC = +25°C ⁵	P _D	Short Circuit, TC = +25°C	TC = 25°C		8.0		8.0	W	
					6.0		6.0		

Notes to Specifications

1. Tested at each output.
2. Parameter guaranteed by line and load regulation tests.
3. At least 20 percent of the total output power should be taken from the (+5V) main output.
4. Bandwidth guaranteed by design. Tested for 20KHz to 2.0MHz.
5. An overload is that condition with a load in excess of the rated load but less than that necessary to trigger the short circuit protection and is the condition of maximum power dissipation.
6. Above 105°C case temperature, derate output power linearly to 0 at 125°C case

ATO28XXT Series

Specifications

International
IRF Rectifier

$T_{CASE} = -55^{\circ}\text{C}$ to $+125^{\circ}\text{C}$, $V_{IN} = +28\text{V} \pm 5\%$ unless otherwise specified

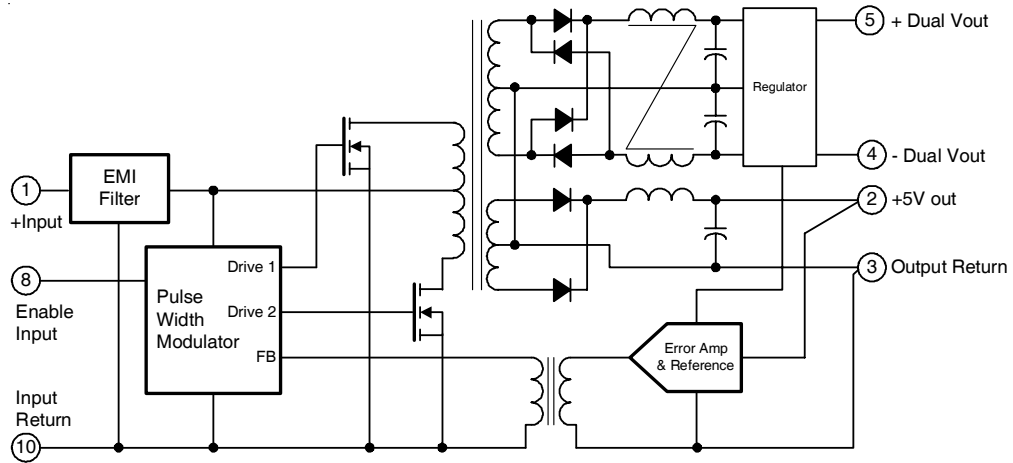
Absolute Maximum Ratings		
Input voltage	-0.5V to +50VDC	
Power Output	Internally limited, 17.5W typical	
Soldering temperature	300°C for 10 seconds	
Temperature Range ⁶	Operating case temperature	-55°C to +135°C
	Storage case temperature	-65°C to +135°C

TEST	SYMBOL	Condition -55°C ≤ TC ≤ +125°C, VIN = 28 VDC ±5%, CL=0 unless otherwise specified	ATO2812T/HB		ATO2815T/HB		Units	
			Min	Max	Min	Max		
STATIC CHARACTERISTICS OUTPUT Voltage ¹	V _{OUT}	I _{OUT} = 0 (main)	4.95	5.05	4.95	5.05	V	
		I _{OUT} = 0 (dual) ¹	4.90	5.10	4.90	5.10	V	
Current ^{1,2,3}	I _{OUT}	V _{IN} = 16, 28, and 40 VDC (main)	±11.88	±12.12	±14.85	±15.15	V	
		V _{IN} = 16, 28, and 40 VDC (dual) ¹	±11.76	±12.24	±14.70	±15.30	V	
Ripple Voltage ^{1,4}	V _{RIP}	V _{IN} = 16, 28, and 40 VDC BW = DC to 2 MHz (main)	0.0	2000	0.0	2000	mA	
		V _{IN} = 16, 28, and 40 VDC BW = DC to 2 MHz (dual)	0.0	±208	0.0	±167	mA	
Power ^{1,2,3}	P _{OUT}	V _{IN} = 16, 28, and 40 VDC (main)		80		80	mVp-p	
		(+dual)		40		40	mVp-p	
		(-dual)	10		10		W	
		(total)	2.5		2.5		W	
REGULATION Line ^{1,3}	VR _{LINE}	V _{IN} = 16, 28, and 40 VDC I _{OUT} = 0, 1000, 2000mA (main)		25		25	mV	
Load ^{1,3}	VR _{LOAD}	V _{IN} = 16, 28, and 40 VDC (dual) I _{OUT} = 0, ±84, ±167mA (dual)		±30		±35		
INPUT Current	I _{IN}	V _{IN} = 16, 28, and 40 VDC I _{OUT} = 0, 1000, 2000mA (main)		50		50	mA	
		V _{IN} = 16, 28, and 40 VDC I _{OUT} = 0, ±84, ±167mA (dual)		±60		±75		
Ripple Current ⁴	I _{RIP}	I _{OUT} = 0, Inhibit (pin 8) Tied to input return (pin 10)		15		15	mA	
		I _{OUT} = 0, inhibit (pin 2) = open I _{OUT} = 2000 mA (main)		40		40	mA	
EFFICIENCY	E _{FF}	I _{OUT} = 2000mA (main)		50		50	mAp-p	
		I _{OUT} = ±167mA (dual) TC = ±25°C	76		76		%	
ISOLATION	ISO	Input to output or any pin to case (except pin 7) at 500 VDC	TC = 25°C	100		100	MΩ	
Load Fault Power Dissipation ³	P _D	Overload, TC = +25°C ⁵ Short Circuit, TC = +25°C	TC = 25°C	8.0		8.0	W	
				6.0		6.0		
Switching Frequency	F _S	I _{OUT} = 2000mA (main) I _{OUT} = ±167mA (dual)		225	275	225	275	KHz
Inhibit Open Circuit Voltage	V _{OI}			9.0	13	9.0	13	V

Notes to Specifications

1. Tested at each output.
2. Parameter guaranteed by line and load regulation tests.
3. At least 20 percent of the total output power should be taken from the (+5V) main output.
4. Bandwidth guaranteed by design. Tested for 20KHz to 2.0MHz.
5. An overload is that condition with a load in excess of the rated load but less than that necessary to trigger the short circuit protection and is the condition of maximum power dissipation.
6. Above 125°C case temperature, derate output power linearly to 0 at 135°C case

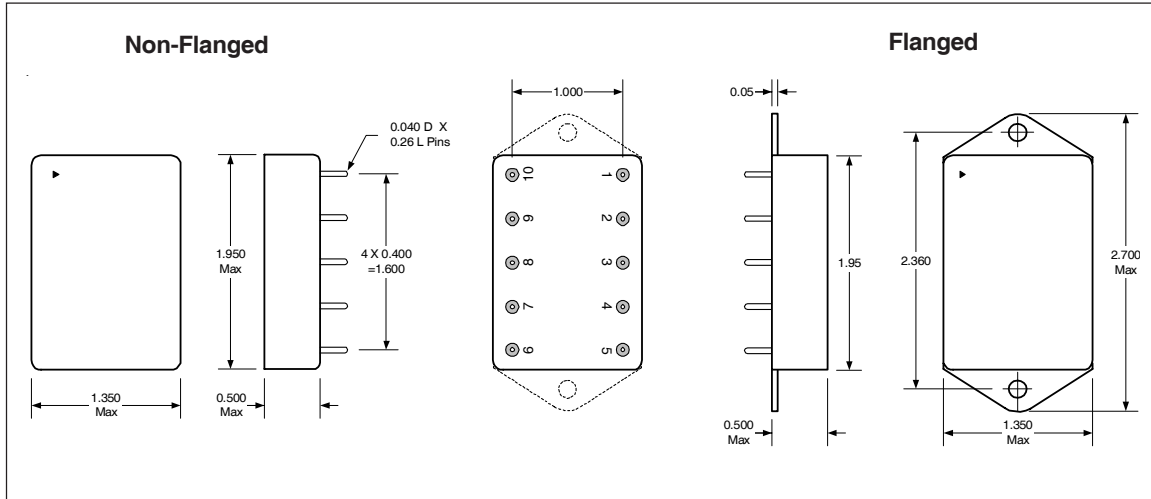
Block Diagram



Standard Microcircuit Drawing Equivalence Table

Standard Microcircuit Drawing Number	Vendor Cage Code	IR Standard Part Number
5962-90954	52467	ATO2815T
5962-91602	52467	ATO2812T

Mechanical Outlines



Pin Designation

Pin #	Designation
1	+ Input
2	+5V Output
3	Output Return
4	- Dual Output
5	+ Dual Output
6	NC
7	Case Ground
8	Enable Input
9	NC
10	Input Return

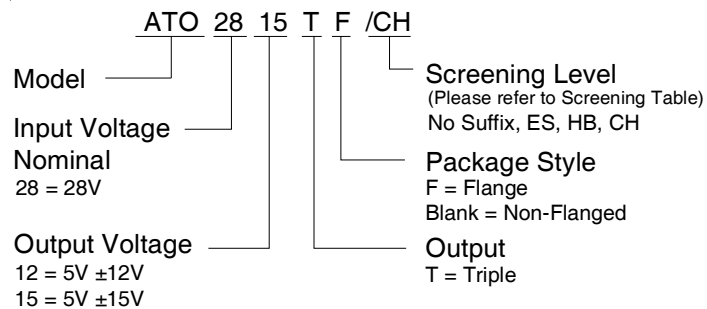
Device Screening

Requirement	MIL-STD-883 Method	No Suffix	ES ②	HB	CH
Temperature Range	—	-20°C to +85°C	-55°C to +125°C ③	-55°C to +125°C	-55°C to +125°C
Element Evaluation	MIL-PRF-38534	N/A	N/A	N/A	Class H
Non-Destructive Bond Pull	2023	N/A	N/A	N/A	N/A
Internal Visual	2017	①	Yes	Yes	Yes
Temperature Cycle	1010	N/A	Cond B	Cond C	Cond C
Constant Acceleration	2001, Y1 Axis	N/A	500 Gs	3000 Gs	3000 Gs
PIND	2020	N/A	N/A	N/A	N/A
Burn-In	1015	N/A	48 hrs@hi temp	160 hrs@125°C	160 hrs@125°C
Final Electrical (Group A)	MIL-PRF-38534 & Specification	25°C	25°C ②	-55°C, +25°C, +125°C	-55°C, +25°C, +125°C
PDA	MIL-PRF-38534	N/A	N/A	N/A	10%
Seal, Fine and Gross	1014	Cond A	Cond A, C	Cond A, C	Cond A, C
Radiographic	2012	N/A	N/A	N/A	N/A
External Visual	2009	①	Yes	Yes	Yes

Notes:

- ① Best commercial practice
- ② Sample tests at low and high temperatures
- ③ -55°C to +105°C for AHE, ATO, ATW

Part Numbering



单击下面可查看定价，库存，交付和生命周期等信息

[>>Infineon Technologies\(英飞凌\)](#)