

## IR2304(S) & (PbF)

### HALF-BRIDGE DRIVER

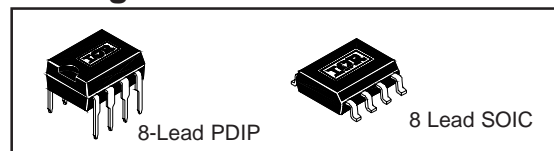
#### Product Summary

V <sub>OFFSET</sub>	600V max.
I <sub>O+/-</sub> (min)	60 mA/130 mA
V <sub>OUT</sub>	10 - 20V
Delay Matching	50 ns
Internal deadtime	100 ns
ton/off (typ.)	220/220 ns

#### Features

- Floating channel designed for bootstrap operation to +600V. Tolerant to negative transient voltage dV/dt immune
- Gate drive supply range from 10 to 20V
- Under voltage lockout for both channels
- 3.3V, 5V, and 15V input logic input compatible
- Cross-conduction prevention logic
- Matched propagation delay for both channels
- Lower di/dt gate driver for better noise immunity
- Internal 100ns dead-time
- Output in phase with input
- Available in Lead-Free

#### Package

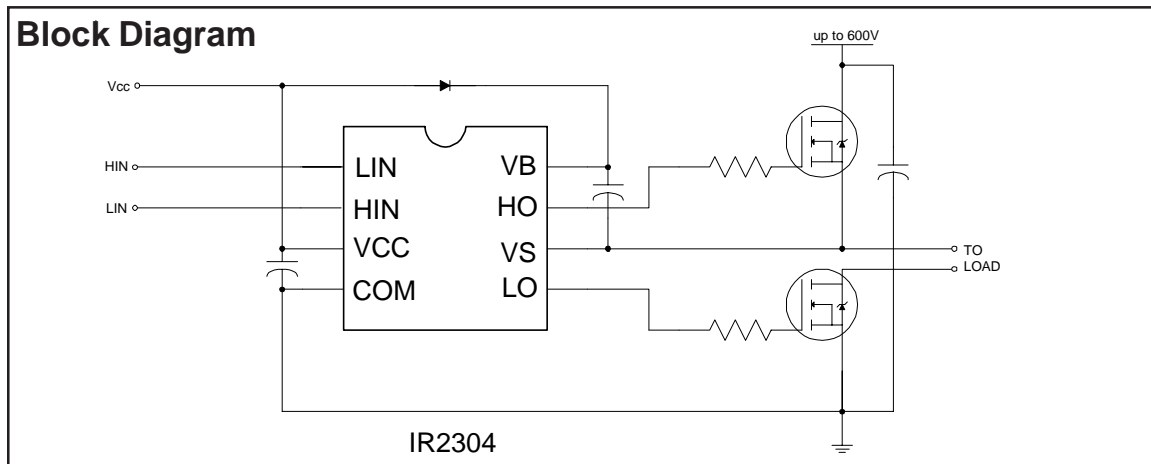


#### Description

The IR2304(S) are a high voltage, high speed power MOSFET and IGBT driver with independent high and low side referenced output channels. Proprietary HVIC and latch immune CMOS technologies enable ruggedized monolithic construction. The logic input is compatible with standard CMOS or LSTTL output, down to 3.3V logic. The output driver features a high pulse current buffer stage designed for minimum driver cross-conduction. The floating channel can be used to drive an N-channel power MOSFET or IGBT in the high side configuration which operates up to 600 volts.

#### 2106/2301/2108/2109/2302/2304 Feature Comparison

Part	Input logic	Cross-conduction prevention logic	Dead-Time	Ground Pins
2106/2301	HIN/LIN	no	none	COM
21064				VSS/COM
2108	HIN/LIN	yes	Internal 540ns Programmable 0.54-5µs	COM
21084				VSS/COM
2109/2302	IN/SD	yes	Internal 540ns Programmable 0.54-5µs	COM
21094				VSS/COM
2304	HIN/LIN	yes	Internal 100ns	COM



# IR2304(S)&(PbF)

International  
IR Rectifier

## Absolute Maximum Ratings

Absolute maximum ratings indicate sustained limits beyond which damage to the device may occur. All voltage parameters are absolute voltages referenced to COM, all currents are defined positive into any lead. The thermal resistance and power dissipation ratings are measured under board mounted and still air conditions.

Symbol	Definition	Min.	Max.	Units	
V <sub>S</sub>	High side offset voltage	V <sub>B</sub> - 25	V <sub>B</sub> + 0.3	V	
V <sub>B</sub>	High side floating supply voltage	-0.3	625		
V <sub>HO</sub>	High side floating output voltage HO	V <sub>S</sub> - 0.3	V <sub>B</sub> + 0.3		
V <sub>CC</sub>	Low side and logic fixed supply voltage	-0.3	25		
V <sub>LO</sub>	Low side output voltage LO	-0.3	V <sub>CC</sub> + 0.3		
V <sub>IN</sub>	Logic input voltage (HIN, LIN)	-0.3	V <sub>CC</sub> + 0.3		
Com	Logic ground	V <sub>CC</sub> -25	V <sub>CC</sub> + 0.3		
dV <sub>S</sub> /dt	Allowable offset voltage SLEW RATE	—	50	V/ns	
P <sub>D</sub>	Package power dissipation @ T <sub>A</sub> ≤ +25°C	8-Lead SOIC	—	0.625	W
		8-Lead PDIP	—	1.0	
R <sub>thJA</sub>	Thermal resistance, junction to ambient	8-Lead SOIC	—	200	°C/W
		8-Lead PDIP	—	125	
T <sub>J</sub>	Junction temperature	—	150	°C	
T <sub>S</sub>	Storage temperature	-50	150		
T <sub>L</sub>	Lead temperature (soldering, 10 seconds)	—	300		

## Recommended Operating Conditions

The input/output logic timing diagram is shown in figure 1. For proper operation the device should be used within the recommended conditions. The V<sub>S</sub> offset rating is tested with all supplies biased at 15V differential.

Symbol	Definition	Min.	Max.	Units
V <sub>B</sub>	High side floating supply voltage	V <sub>S</sub> + 10	V <sub>S</sub> + 20	V
V <sub>S</sub>	High side floating supply offset voltage	Note 1	600	
V <sub>HO</sub>	High side (HO) output voltage	V <sub>S</sub>	V <sub>B</sub>	
V <sub>LO</sub>	Low side (LO) output voltage	COM	V <sub>CC</sub>	
V <sub>IN</sub>	Logic input voltage (HIN, LIN)	COM	V <sub>CC</sub>	
V <sub>CC</sub>	Low side supply voltage	10	20	
T <sub>A</sub>	Ambient temperature	-40	125	°C

**Note 1:** Logic operational for V<sub>S</sub> of COM -5 to COM +600V. Logic state held for V<sub>S</sub> of COM -5V to COM -V<sub>BS</sub>.

## Static Electrical Characteristics

$V_{BIAS}$  ( $V_{CC}$ ,  $V_{BS}$ ) = 15V and  $T_A = 25^\circ\text{C}$  unless otherwise specified. The  $V_{IN}$ ,  $V_{TH}$  and  $I_{IN}$  parameters are referenced to COM. The  $V_O$  and  $I_O$  parameters are referenced to COM and  $V_S$  is applicable to HO and LO.

Symbol	Definition	Min.	Typ.	Max.	Units	Test Conditions
$V_{CCUV+}$ $V_{BSUV+}$	$V_{CC}$ and $V_{BS}$ supply undervoltage positive going threshold	8	8.9	9.8	V	
$V_{CCUV-}$ $V_{BSUV-}$	$V_{CC}$ and $V_{BS}$ supply undervoltage negative going threshold	7.4	8.2	9		
$V_{CCUVH}$ $V_{BSUVH}$	$V_{CC}$ supply undervoltage lockout hysteresis	0.3	0.7	—		
$I_{LK}$	Offset supply leakage current	—	—	50	$\mu\text{A}$	$V_B = V_S = 600\text{V}$
$I_{QBS}$	Quiescent $V_{BS}$ supply current	20	60	150		$V_{IN} = 0\text{V}$ or $5\text{V}$
$I_{QCC}$	Quiescent $V_{CC}$ supply current	50	120	240		$V_{IN} = 0\text{V}$ or $5\text{V}$
$V_{IH}$	Logic "1" input voltage	2.3	—	—	V	
$V_{IL}$	Logic "0" input voltage	—	—	0.8		
$V_{OH}$	High level output voltage, $V_{BIAS} - V_O$	—	—	2.8		$I_O = 20\text{mA}$
$V_{OL}$	Low level output voltage, $V_O$	—	—	1.2		
$I_{IN+}$	Logic "1" input bias current	—	5	40	$\mu\text{A}$	$V_{IN} = 5\text{V}$
$I_{IN-}$	Logic "0" input bias current	—	1.0	2.0		$V_{IN} = 0\text{V}$
$I_{O+}$	Output high short circuit pulse current	60	—	—	mA	$V_O = 0\text{V}$
$I_{O-}$	Output low short circuit pulsed current	130	—	—		$PW \leq 10 \mu\text{s}$

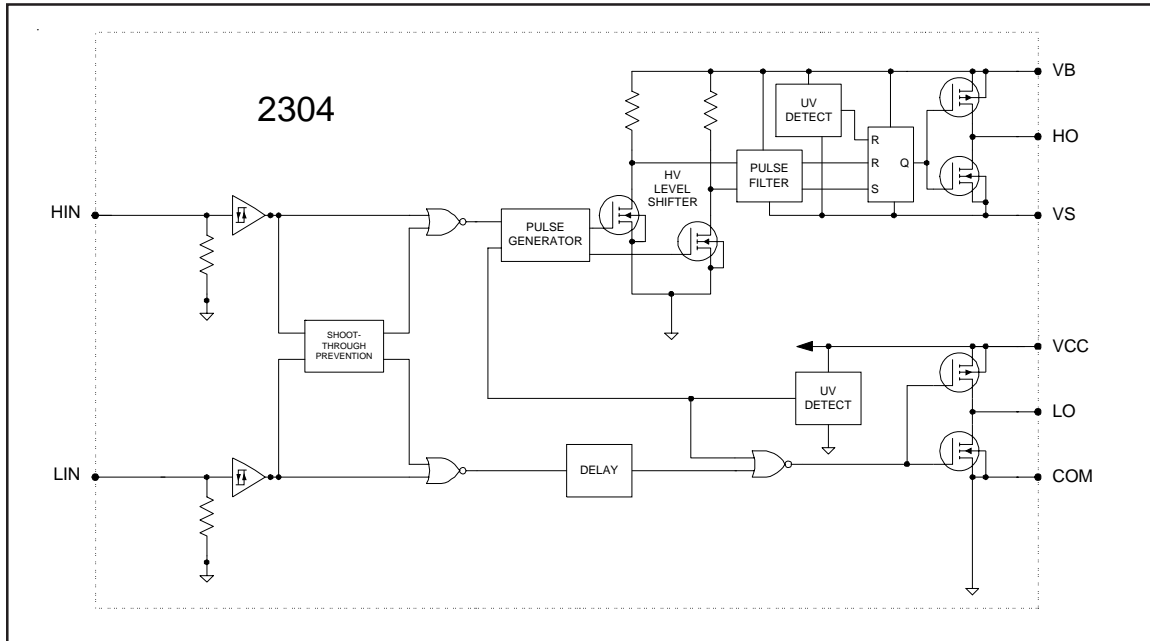
## Dynamic Electrical Characteristics

$V_{BIAS}$  ( $V_{CC}$ ,  $V_{BS}$ ) = 15V,  $V_S = \text{COM}$ ,  $C_L = 1000 \text{pF}$  and  $T_A = 25^\circ\text{C}$  unless otherwise specified.

Symbol	Definition	Min.	Typ.	Max.	Units	Test Conditions
$t_{on}$	Turn-on propagation delay	120	220	320	ns	$V_S = 0\text{V}$
$t_{off}$	Turn-off propagation delay	130	220	330		$V_S = 0\text{V}$ or $600\text{V}$
$t_r$	Turn-on rise time	60	200	300		
$t_f$	Turn-off fall time	20	100	170		
DT	Dead time	80	100	190		
MT	Delay matching, HS & LS turn-on/off	—	—	50		

# IR2304(S)&(PbF)

## Functional Block Diagram



## Lead Definitions

Symbol	Description
VCC	Low side supply voltage
COM	Logic ground and low side driver return
HIN	Logic input for high side gate driver output
LIN	Logic input for low side gate driver output
VB	High side floating supply
HO	High side driver output
VS	High voltage floating supply return
LO	Low side driver output

## Lead Assignments

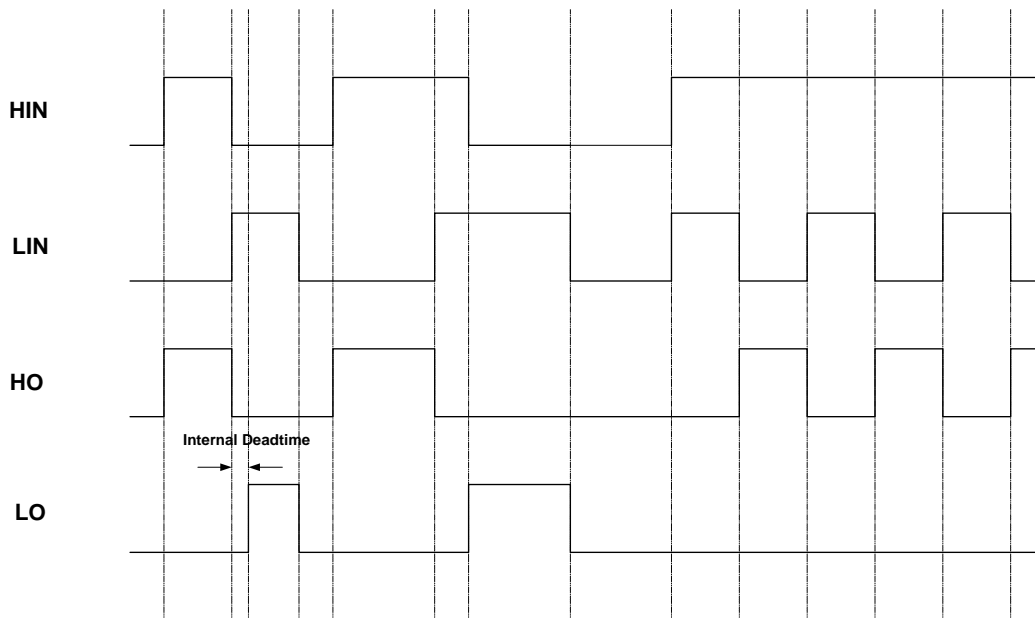
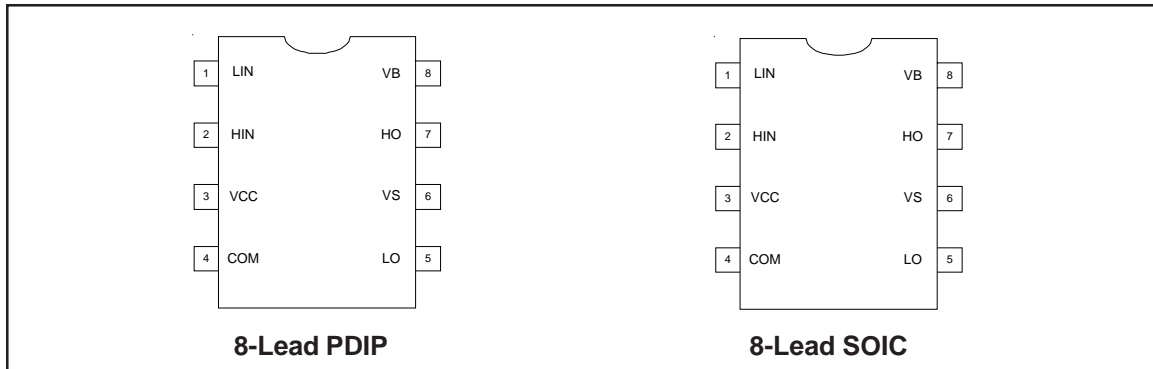


Figure 1. Input/Output Functionality Diagram

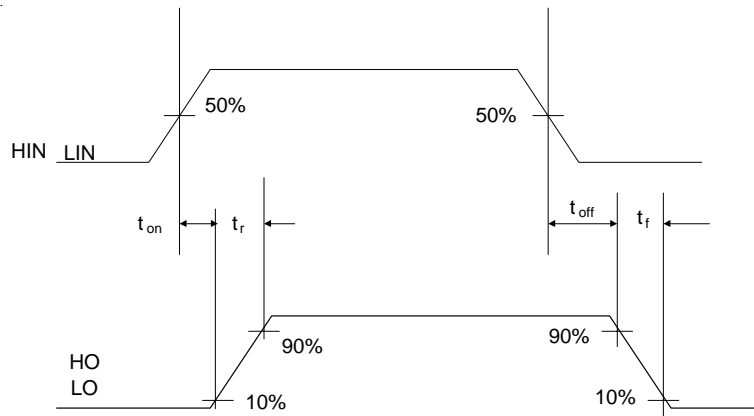


Figure 2. Switching Time Waveforms

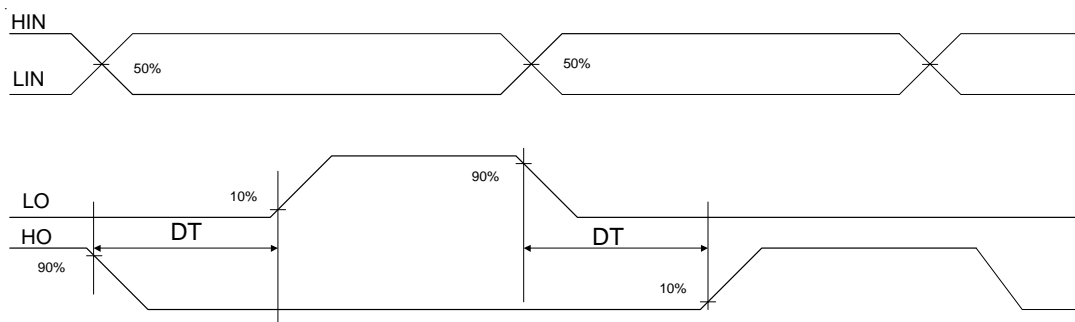
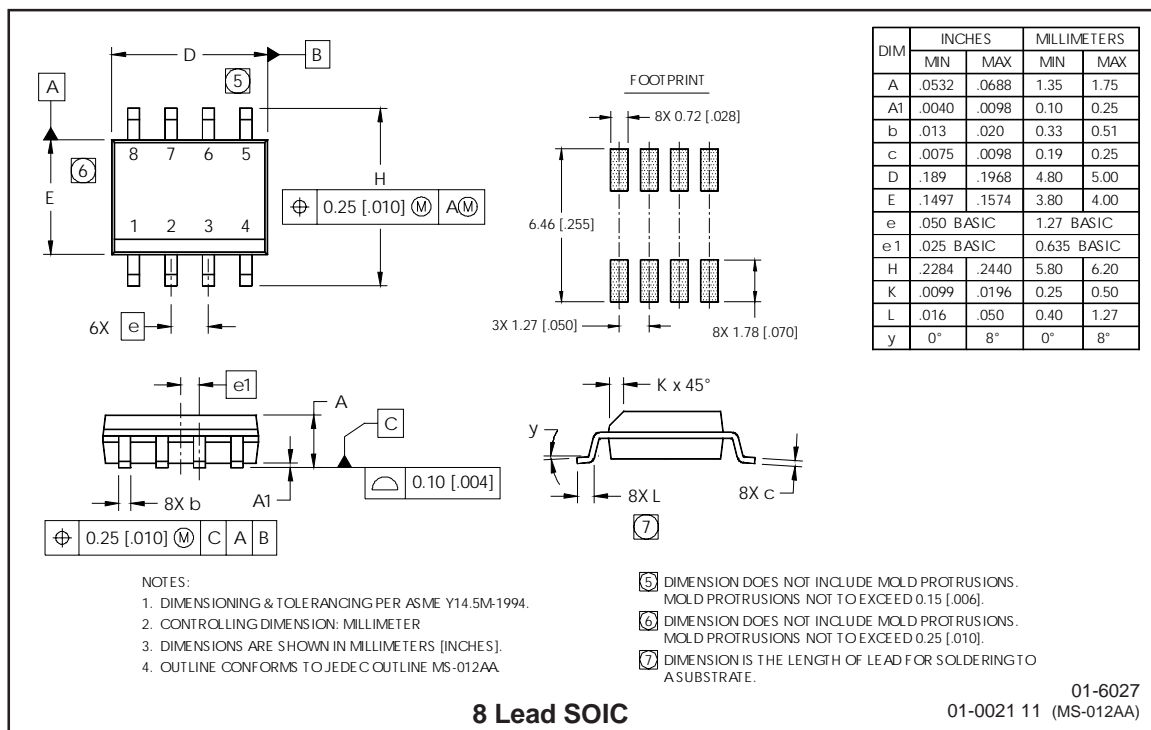
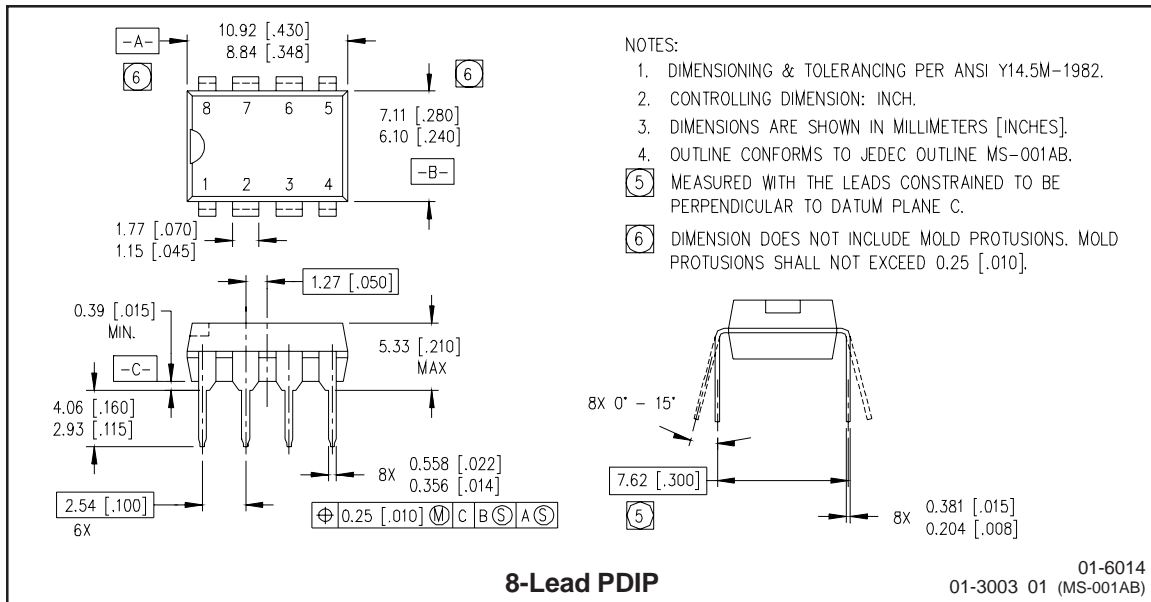


Figure 3. Internal Deadtime Timing

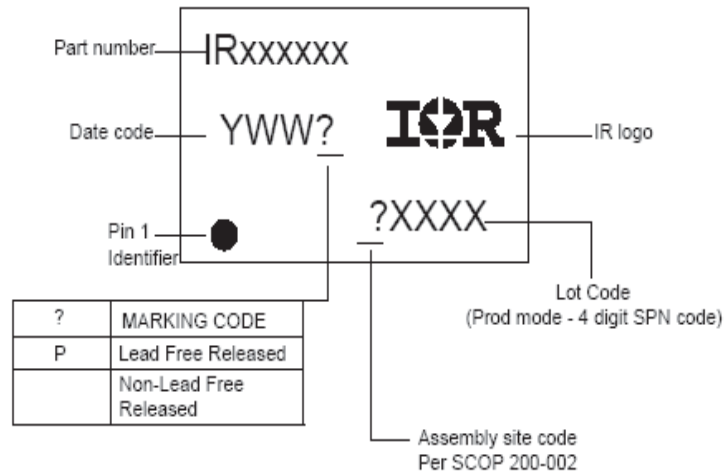
## Case outlines



# IR2304(S)&(PbF)

International  
**IR** Rectifier

## LEADFREE PART MARKING INFORMATION



## ORDER INFORMATION

### Basic Part (Non-Lead Free)

8-Lead PDIP IR2304 order IR2304  
8-Lead SOIC IR2304S order IR2304S

### Lead-Free Part

8-Lead PDIP IR2304 order IR2304PbF  
8-Lead SOIC IR2304S order IR2304SPbF

International  
**IR** Rectifier

This product has been designed and qualified for the Industrial market.  
Qualification Standards can be found on IR's Web Site.  
Data and specifications subject to change without notice.

**IR WORLD HEADQUARTERS:** 233 Kansas St., El Segundo, California 90245, USA Tel: (310) 252-7105  
TAC Fax: (310) 252-7903

Visit us at [www.irf.com](http://www.irf.com) for sales contact information.

09/10/04



单击下面可查看定价，库存，交付和生命周期等信息

[>>Infineon Technologies\(英飞凌\)](#)