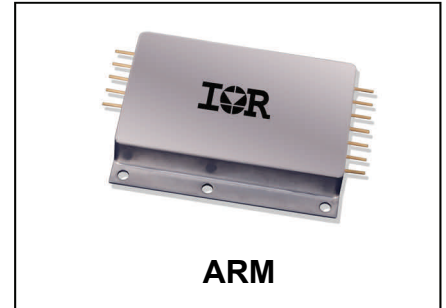


**HYBRID-HIGH RELIABILITY  
1MEGA-RAD HARDENED  
DC-DC CONVERTER****28V Input, Triple Output****Description**

The ARM Series of three output DC-DC converters are designed specifically for use in the high-dose radiation environments encountered during deep space planetary missions. The extremely high level of radiation tolerance inherent in the ARM design is assured as a result of extensive research, thorough analysis and testing, careful selection of components and lot verification testing of finished hybrids. Many of the best circuit design features characterizing earlier IR HiRel products have been incorporated into the ARM topology. Capable of uniformly high performance through long term exposures in radiation intense environments, this series sets the standard for distributed power systems demanding high performance and reliability.

The ARM converters are hermetically sealed in a rugged, low profile package utilizing copper core pins to minimize resistive DC losses. Long-term hermeticity is assured through use of parallel seam welded lid attachment along with IR HiRel rugged ceramic pin-to-package seal. Axial lead orientation facilitates preferred bulkhead mounting to the principal heat-dissipating surface.

Manufactured in a facility fully qualified to MIL-PRF-38534, these converters are fabricated utilizing DLA Land and Maritime qualified processes. For available screening options, refer to device screening table in the data sheet.

Variations in electrical, mechanical and screening specifications can be accommodated. Contact IR HiRel San Jose for special requirements.

**Features**

- Total Dose > 1 MRads(Si)
- SEE Hardened to LET up to 83 MeV.cm<sup>2</sup>/mg
- De-rated per MIL-STD-975 & MIL-STD-1547
- Output Power Range 3 to 30 Watts
- 19 to 50 Volt Input Range
- Input Under voltage Lockout
- High Electrical Efficiency > 80%
- Full Performance from -55°C to +125°C
- Continuous Short Circuit Protection
- 12.8 W/in<sup>3</sup> Output Power Density
- True Hermetic Package
- External Inhibit Port
- Externally Synchronization
- Fault Tolerant Design
- 5V, ±12V or 5V, ±15V Outputs Available

## Specifications

Absolute Maximum Ratings		Recommended Operating Conditions	
Input voltage range	-0.5V <sub>DC</sub> to +80V <sub>DC</sub>	Input voltage range	+19V <sub>DC</sub> to +60V <sub>DC</sub> +19V to +50V for full de-rating to MIL-STD-975
Minimum Output Current	5% Maximum rated current, any Output	Output power	3.0W to 30W
Soldering temperature	300°C for 10 seconds	Operating case temperature	-55°C to +125°C
Storage case temperature	-65°C to +135°C		-55°C to +85°C for full de-rating to MIL-STD-975

**Static Characteristics** -55°C ≤ T<sub>CASE</sub> ≤ +125°C, V<sub>IN</sub> = 28V<sub>DC</sub>, C<sub>L</sub> = 0, unless otherwise specified.

Parameter	Symbol	Test Conditions	Limits		Unit
			Min.	Max.	
Output voltage accuracy	V <sub>OUT</sub>	I <sub>OUT</sub> = 1.5Adc, T <sub>C</sub> = +25°C (main)	4.95	5.05	V <sub>DC</sub>
		I <sub>OUT</sub> = ±250mAdc, T <sub>C</sub> = +25°C ARM2812 (dual)	±11.50	±12.50	
		I <sub>OUT</sub> = ±250mAdc, T <sub>C</sub> = +25°C ARM2815 (dual)	±14.50	±15.15	
Output power Note 5	P <sub>OUT</sub>	19 V <sub>DC</sub> < V <sub>IN</sub> < 50V <sub>DC</sub>	3.0	30	W
Output current Note 5	I <sub>OUT</sub>	(main)	150	3000	mAdc
		(dual)	75	750	
Line regulation Note 3	VR <sub>LINE</sub>	150 mAdc < I <sub>OUT</sub> < 3000 mAdc (main)	-15	+15	mV
		19 Vdc < V <sub>IN</sub> < 50Vdc ±75 mAdc < I <sub>OUT</sub> < ±750 mAdc (dual)	-60	+60	
Load regulation Note 4	VR <sub>LOAD</sub>	150 mAdc < I <sub>OUT</sub> < 3000 mAdc (main)	-180	+180	mV
		19 V <sub>DC</sub> < V <sub>IN</sub> < 50V <sub>DC</sub> ±75 mAdc < I <sub>OUT</sub> < ±750 mAdc (dual)	-300	+300	
Cross regulation Note 8	VR <sub>CROSS</sub>	(main)	-10	+10	mV
		19 V <sub>DC</sub> < V <sub>IN</sub> < 50V <sub>DC</sub> (dual)	-500	+500	
Total regulation	V <sub>R</sub>	All conditions of Line, Load, Cross Regulation, Aging, Temperature and Radiation (main) ARM2812 (dual) ARM2815 (dual)	4.8 ±11.1 ±13.9	5.2 ±12.9 ±16.0	V
Input current	I <sub>IN</sub>	I <sub>OUT</sub> = minimum rated, Pin 3 open		250	mA
		Pin 3 shorted to pin 2 (disabled)		8.0	
Output ripple voltage Note 6	V <sub>RIP</sub>	19 V <sub>DC</sub> < V <sub>IN</sub> < 50V <sub>DC</sub> I <sub>OUT</sub> = 3000 mAdc (main), ±500 mAdc (dual)		100	mV <sub>p,p</sub>
Input ripple current Note 6	I <sub>RIP</sub>	19 V <sub>DC</sub> < V <sub>IN</sub> < 50V <sub>DC</sub> I <sub>OUT</sub> = 3000 mAdc (main), ±500 mAdc (dual)		150	mA <sub>p,p</sub>
Switching frequency	F <sub>S</sub>	Synchronization input open. (pin 6)	225	275	kHz
Efficiency	E <sub>FF</sub>	I <sub>OUT</sub> = 3000 mAdc (main), ±500 mAdc (dual)	80		%
Enable Input open circuit voltage drive current (sink) voltage range		19V <sub>DC</sub> < V <sub>IN</sub> < 50V <sub>DC</sub>	3.0 0.1 -0.5	5.0 50.0	V mA V

For Notes to Electrical Performance Characteristics, refer to page 3

**Static Characteristics** (Continued)  $-55^{\circ}\text{C} \leq T_{\text{CASE}} \leq +125^{\circ}\text{C}$ ,  $V_{\text{IN}} = 28\text{V}_{\text{DC}}$ ,  $C_{\text{L}} = 0$ , unless otherwise specified.

Parameter	Symbol	Test Conditions	Limits		Unit
			Min.	Max.	
Synchronization Input frequency range pulse high level pulse low level pulse rise time pulse duty cycle		External clock signal on Sync. input (pin 4)	225 4.5 -0.5 40 20	310 10.0 0.25 80	kHz V V V/ $\mu\text{s}$ %
Power dissipation, load fault	$P_{\text{D}}$	Short circuit, any output		7.5	W
Output response to step load changes Notes 7, 11	$V_{\text{TLD}}$	10% Load to/from 50% load 50% Load to/from 100% load	-200 -200	200 200	$\text{mV}_{\text{PK}}$
Recovery time from step load changes Notes 11, 12	$T_{\text{TLD}}$	10% Load to/from 50% load 50% Load to/from 100% load		200 200	$\mu\text{s}$
Output response to step line changes Notes 10, 11	$V_{\text{TLN}}$	$I_{\text{OUT}} = 3000 \text{ mAdc}$ (main) $V_{\text{IN}} = 19 \text{ V}$ to/from 50 V $I_{\text{OUT}} = \pm 500 \text{ mAdc}$ (dual)	-350 -1050	350 1050	$\text{mV}_{\text{PK}}$
Recovery time from step line changes Notes 10, 11, 13	$T_{\text{TLN}}$	$I_{\text{OUT}} = 3000 \text{ mAdc}$ (main) $V_{\text{IN}} = 19 \text{ V}$ to/from 50 V $I_{\text{OUT}} = \pm 500 \text{ mAdc}$ (dual)		500 500	$\mu\text{s}$
Turn on overshoot	$V_{\text{OS}}$	$I_{\text{OUT}} =$ minimum and full rated (dual)		500 1500	mV
Turn on delay Note 14	$T_{\text{DLY}}$	$I_{\text{OUT}} =$ minimum and full rated (main)	5.0	20	ms
Capacitive load Notes 9, 10	$C_{\text{L}}$	No effect on DC performance (dual)		500 100	$\mu\text{F}$
Isolation	$I_{\text{SO}}$	$500\text{V}_{\text{DC}}$ Input to Output or any pin to case (except pin 12)	100		$\text{M}\Omega$

### Notes to Specifications

- Operation outside absolute maximum/minimum limits may cause permanent damage to the device. Extended operation at the limits may permanently degrade performance and affect reliability.
- Device performance specified in Electrical Performance table is guaranteed when operated within recommended limits. Operation outside recommended limits is not specified.
- Parameter measured from 28V to 19 V or to 50V while loads remain fixed.
- Parameter measured from nominal to minimum or maximum load conditions while line remains fixed.
- Up to 750 mA is available from each of the dual outputs provided the total output power does not exceed 30W.
- Guaranteed for a bandwidth of DC to 20 MHz. Tested using a 20 kHz to 2 MHz bandwidth.
- Load current is stepped for output under test while other outputs are fixed at half rated load.
- Load current is fixed for output under test while other output loads are varied for any combination of minimum to maximum.
- A capacitive load of any value from 0 to the specified maximum is permitted without compromise to DC performance. A capacitive load in excess of the maximum limit may interfere with the proper operation of the converter's short circuit protection, causing erratic behavior during turn on.
- Parameter is tested as part of design characterization or after design or process changes. Thereafter, parameters shall be guaranteed to the limits specified in the table.
- Load transient rate of change,  $di/dt \leq 2 \text{ A}/\mu\text{s}$ .
- Recovery time is measured from the initiation of the transient to where  $V_{\text{OUT}}$  has returned to within  $\pm 1\%$  of its steady state value.
- Line transient rate of change,  $dv/dt \leq 50 \text{ V}/\mu\text{s}$ .
- Turn on delay time is for either a step application of input power or a logical low to high transition on the enable pin (pin 3) while power is present at the input.

**Group A Tests**  $V_{IN} = 28V$ ,  $C_L = 0$  unless otherwise specified.

Parameter	Symbol	Test Conditions	Group A Subgroups	Limits		Unit
				Min.	Max.	
Output voltage accuracy	$V_{OUT}$	$I_{OUT} = 1.5 A_{DC}$ (main)	1, 2, 3	4.95	5.05	V
		$I_{OUT} = \pm 250mA_{DC}$ ARM2812(dual)	1, 2, 3	$\pm 11.70$	$\pm 12.30$	
		$I_{OUT} = \pm 250mA_{DC}$ ARM2815(dual)	1, 2, 3	$\pm 14.50$	$\pm 15.15$	
Output power Note 1	$P_{OUT}$	$V_{IN} = 19 V, 28V, 50 V$	1, 2, 3	3.0	30	W
Output current Note 1	$I_{OUT}$	(main)	1, 2, 3	150	3000	mA
		(dual)	1, 2, 3	75	500	
Output regulation Note 4	$V_R$	$I_{OUT} = 150, 1500, 3000mA_{DC}$ (main) $V_{IN} = 19 V, 28V, 50 V$	1, 2, 3	4.8	5.2	V
		$I_{OUT} = \pm 75, \pm 310, \pm 625mA_{DC}$ 2812 (dual)	1, 2, 3	$\pm 11.1$	$\pm 12.9$	
		$I_{OUT} = \pm 75, \pm 250, \pm 500mA_{DC}$ 2815 (dual)	1, 2, 3	$\pm 14.0$	$\pm 15.8$	
Input current	$I_{IN}$	$I_{OUT} =$ minimum rated, Pin 3 open	1, 2, 3		250	mA
		Pin 3 shorted to pin 2 (disabled)	1, 2, 3		8.0	
Output ripple Note 2	$V_{RIP}$	$V_{IN} = 19 V, 28V, 50 V$ $I_{OUT} = 3000mA$ main, $\pm 500mA$ (dual)	1, 2, 3		100	mV <sub>P-P</sub>
Input ripple Note 2	$I_{RIP}$	$V_{IN} = 19 V, 28V, 50 V$ $I_{OUT} = 3000mA$ main, $\pm 500mA$ (dual)	1, 2, 3		150	mA <sub>P-P</sub>
Switching frequency	$F_S$	Synchronization pin (pin 6) open	4, 5, 6	225	275	kHz
Efficiency	$E_{FF}$	$I_{OUT} = 800mA$ main, $\pm 500mA$ (dual)	1 2, 3	80 78		%
Power dissipation, load fault	$P_D$	Short circuit, any output	1, 2, 3		7.5	W
Output response to step load changes Notes 3, 5	$V_{TL}$	10% Load to/from 50% load	4, 5, 6	-200	200	mV <sub>PK</sub>
		50% Load to/from 100% load	4, 5, 6	-200	200	
Recovery time from step load changes Notes 5, 6	$T_{TL}$	10% Load to/from 50% load	4, 5, 6		200	$\mu s$
		50% Load to/from 100% load	4, 5, 6		200	
Turn on overshoot	$V_{OS}$	(main)	4, 5, 6		500	mV
		(dual)	4, 5, 6		1500	
Turn on delay Note 7	$T_{DLY}$	$I_{OUT} =$ minimum and full rated	4, 5, 6	5.0	20	ms
Isolation	$I_{SO}$	500V <sub>DC</sub> Input to output or any pin to case (except pin 12)	1	100		M $\Omega$

For Notes to Group A Tests, refer to page 5.

### Notes to Group A Test Table

1. Parameter verified during dynamic load regulation tests.
2. Guaranteed for DC to 20 MHz bandwidth. Test conducted using a 20 kHz to 2 MHz bandwidth.
3. Load current is stepped for output under test while other outputs are fixed at half rated load.
4. Each output is measured for all combinations of line and load. Only the minimum and maximum readings for each output are recorded.
5. Load step transition time  $\geq 10\mu\text{S}$ .
6. Recovery time is measured from the initiation of the transient to where  $V_{\text{OUT}}$  has returned to within  $\pm 1\%$  of its steady state value.
7. Turn on delay time is tested by application of a logical low to high transition on the enable pin (pin 3) with power present at the input.
8. Subgroups 1 and 4 are performed at  $+25^\circ\text{C}$ , subgroups 2 and 5 at  $-55^\circ\text{C}$  and subgroups 3 and 6 at  $+125^\circ\text{C}$ .

### Radiation Performance

The radiation tolerance characteristics inherent in the ARM28XXT converter are based on the results of the ground-up design effort on the ART2800T program and started with specific radiation design goals. By imposing sufficiently large margins on those electrical parameters subject to the degrading effects of radiation, appropriate elements were selected for incorporation into the ART2800T circuit. Known radiation data was utilized for input to PSPICE and Rad SPICE in the generation of circuit performance verification analyses. Thus, electrical performance capability under all environmental conditions including radiation was well understood before first application of power to the inputs.

The principal ART2800T design goal was a converter topology, which because of large design margins, had radiation performance essentially independent of wafer-lot radiation performance variations. Radiation tests on random ART2800T manufacturing lots provide continued confirmation of the soundness of the design goals as well as justification for the element selection criteria.

To achieve the radiation levels specified for the ARM28XXT, the ART2800T topology is utilized as the basis but lot assurance testing is utilized as part of the screening process to assure the specified level. Each ARM28XXT converter is delivered with lot test data at the hybrid level supporting the minimum TID specification. Other radiation specifications are assured by design and generic data are available on request.

The following table specifies guaranteed minimum radiation exposure levels tolerated while maintaining specification limits.

### Radiation Specification Tcase = 25°C

Parameter	Condition	Min	Typ	Max	Unit
Total Ionizing Dose (2 :1 Margin)	MIL-STD-883, Method 1019.4 Operating bias applied during exposure	1,000			kRads (Si)
Dose Rate					
Temporary Saturation	MIL-STD-883, Method 1021	1E8			Rads(Si)/sec
Survival		1E11			
Neutron Fluence	MIL-STD-883, Method 1017.2	3E12			Neutron/cm <sup>2</sup>
Heavy Ion (Single event effects)	BNL Dual Van de Graf Generator	83			MeV·cm <sup>2</sup> /mg

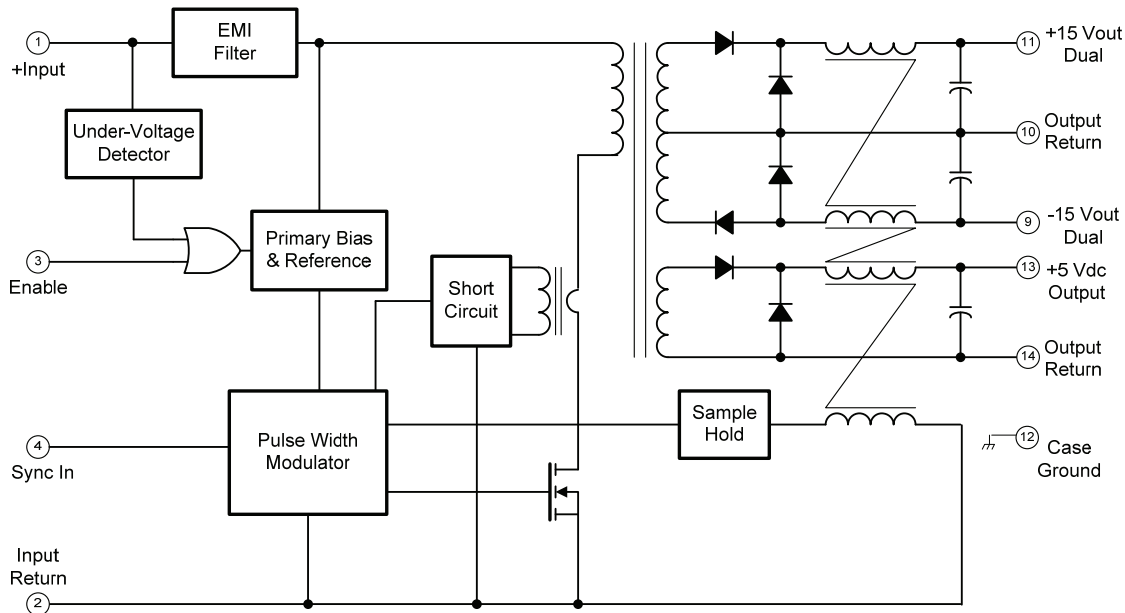
IR HiRel currently does not have a DLA certified Radiation Hardness Assurance Program.

### Standard Quality Conformance Inspections on ARH28XXXXS Series (Flight Screened)

Inspection	Application	Samples
Group A	Part of screening on each unit	100%
Group B	Each inspection lot	* 5 units
Group C	First inspection lot or following class 1 change	10 units
Group D	In line (Part of element evaluation)	3 units

\* Group B quantity for option 2 End of Line QCI. No Group B samples required for Option 1, In-line.

**Fig I. Block Diagram**



### Circuit Operation and Application Information

The ARM28XXT Series of converters have been designed using a single ended forward switched mode converter topology. (refer to Figure I.) Single ended topologies enjoy some advantage in radiation hardened designs in that they eliminate the possibility of simultaneous turn on of both switching elements during a radiation induced upset; in addition, single ended topologies are not subject to transformer saturation problems often associated with double ended implementations.

The design incorporates an LC input filter to attenuate input ripple current. A low overhead linear bias regulator is used to provide bias voltage for the converter primary control logic and a stable, well regulated reference for the error amplifier. Output control is realized using a wide band discrete pulse width modulator control circuit incorporating a unique non-linear ramp generator circuit. This circuit helps stabilize loop gain over variations in line voltage for superior output transient response. Nominal conversion frequency has been selected as 250 kHz to maximize efficiency and minimize magnetic element size.

Output voltages are sensed using a coupled inductor and a patented magnetic feedback circuit. This circuit is relatively insensitive to variations in temperature, aging, radiation and manufacturing tolerances making it particularly well suited to radiation hardened designs. The control logic has been designed to use only radiation tolerant components, and all current paths are limited with series resistance to limit photo currents.

Other key circuit design features include short circuit protection, under voltage lockout and an external synchronization port permitting operation at an externally set clock rate.

### Operating Guidelines

The circuit topology used for regulating output voltages in the ARM28XXT Series of converters was selected for a number of reasons. Significant among these is the ability to simultaneously provide adequate regulation to three output voltages while maintaining modest circuit complexity. These attributes were fundamental in retaining the high reliability and insensitivity to radiation that characterizes device performance. Use of this topology dictates that the user maintain the minimum load specified in the electrical tables on each output. Attempts to operate the converter without a load on any output will result in peak charging to an output voltage well above the specified voltage regulation limits, potentially in excess of ratings, and should be avoided. Output loads that are less than specification minimums will result in regulation performance outside the limits presented in the tables. In most practical applications, this lower bound on the load range does not present a serious constraint; however the user should be mindful of the results. Characteristic curves illustrating typical regulation performance are shown in Figures VII, VIII and IX.

### Thermal Considerations

The ARM Series of converters is capable of providing relatively high output power from a package of modest volume. The power density exhibited by these devices is obtained by combining high circuit efficiency with effective methods of heat removal from the die junctions. Good design practices have effectively addressed this requirement inside the device. However when operating at maximum loads, significant heat generated at the die junctions must be carried away by conduction from the base. To maintain case temperature at or below the specified maximum of 125°C, this heat can be transferred by attachment to an appropriate heat dissipater held in intimate contact with the converter base-plate.

Effectiveness of this heat transfer is dependent on the intimacy of the baseplate-heatsink interface. It is therefore suggested that a heat transferring medium possessing good thermal conductivity is inserted between the baseplate and heat sink. A material utilized at the factory during testing and burn-in processes is sold under the trade name of Sil-Pad<sup>®</sup>400<sup>1</sup>. This particular product is an insulator but electrically conductive versions are also available. Use of these materials assures optimum surface contact with the heat dissipater by compensating for minor surface variations. While other available types of heat conducting materials and thermal compounds provide similar effectiveness, these alternatives are often less convenient and are frequently messy to use.

A conservative aid to estimating the total heat sink surface area ( $A_{HEAT\ SINK}$ ) required to set the maximum case temperature rise ( $\Delta T$ ) above ambient temperature is given by the following expression:

$$A_{HEAT\ SINK} \approx \left\{ \frac{\Delta T}{80P^{0.85}} \right\}^{-1.43} - 5.94$$

Where

$\Delta T$  = Case temperature rise above ambient

$$P = \text{Device dissipation in Watts} = P_{out} \left\{ \frac{1}{Eff} - 1 \right\}$$

As an example, assume that it is desired to maintain the case temperature of an ARM2815T at +65°C or less while operating in an open area whose ambient temperature does not exceed +35°C; then

$$\Delta T = 65 - 35 = 35^\circ C$$

From the Specification Table, the worst case full load efficiency for this device is 80%; therefore the maximum power dissipation at full load is given by

$$P = 30 \cdot \left\{ \frac{1}{.80} - 1 \right\} = 30 \cdot (0.25) = 7.5W$$

and the required heat sink area is

$$A_{HEAT\ SINK} = \left\{ \frac{35}{80 \cdot 7.5^{0.85}} \right\}^{-1.43} - 5.94 = 31.8\ in^2$$

<sup>1</sup>Sil-Pad is a registered Trade Mark of Bergquist, Minneapolis, MN

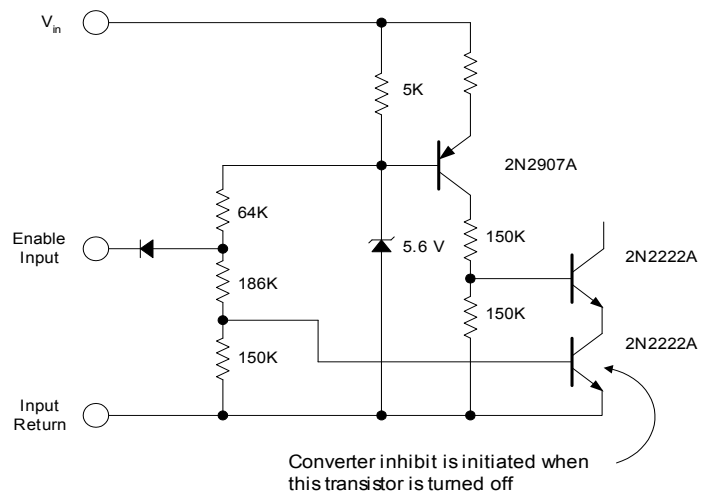
Thus, a total heat sink surface area (including fins, if any) of approximately 32 in<sup>2</sup> in this example, would limit case rise to 35°C above ambient. A flat aluminum plate, 0.25" thick and of approximate dimension 4" by 4" (16 in<sup>2</sup> per side) would suffice for this application in a still air environment. Note that to meet the criteria, both sides of the plate require unrestricted exposure to the ambient air.

### Inhibiting Converter Output

As an alternative to application and removal of the DC voltage to the input, the user can control the converter output by providing an input referenced, TTL compatible, logic signal to the enable pin 3. This port is internally pulled "high" so that when not used, an open connection on the pin permits normal converter operation. When inhibited outputs are desired, a logical "low" on this port will shut the converter down. An open collector device capable of sinking at least 100 μA connected to enable pin 3 will work well in this application.

A benefit of utilization of the enable input is that following initial charge of the input capacitor, subsequent turn-on commands will induce no uncontrolled current inrush.

**Fig. II. Enable Input Equivalent Circuit**

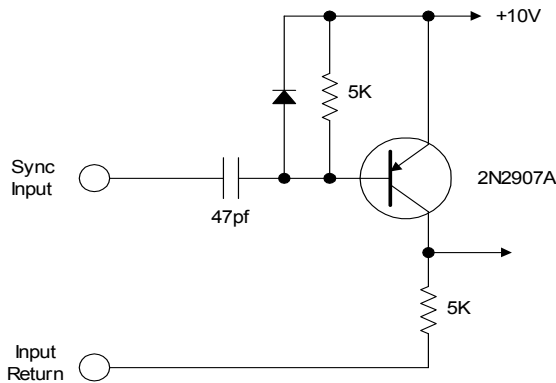


### Synchronization

When using multiple converters, system requirements may dictate operating several converters at a common system frequency. To accommodate this requirement, the ARM28XXT type converter provides a synchronization input port (pin 4). Circuit topology is as illustrated in Fig. III.

The sync input port permits synchronization of an ARM converter to any compatible external frequency source operating in the band of 225 to 310 kHz. The synchronization input is edge triggered with synchronization initiated on the negative transition. This input signal should be a negative going pulse referenced to the input return and have a 20% to 80% duty cycle. Compatibility requires the negative transition time to be less than 100 ns with a minimum pulse amplitude of +4.25 volts referred to the input return. In the event of failure of an external synchronization source, the converter will revert to its own internally set frequency. When external synchronization is not desired, the sync in port may be left open (unconnected) permitting the converter to operate at its' own internally set frequency.

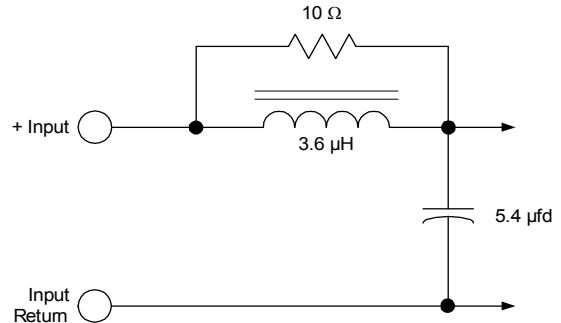
**Fig. III. Synchronization Input Equivalent Circuit**



**Input Filter**

To attenuate input ripple current, the ARM28XXT Series converters incorporate a single stage LC input filter. The elements of this filter comprise the dominant input load impedance characteristic, and therefore determine the nature of the current inrush at turn-on. The input filter circuit elements are as shown in Fig. IV.

**Fig. IV. Input Filter Circuit**



**Output Short Circuit Protection**

Protection against accidental short circuits on any output is provided in the ARM28XXT converters. This protection is implemented by sensing primary switching current and, when an over-current condition is detected, switching action is terminated and a restart cycle is initiated. If the short circuit condition has not been cleared by the time the restart cycle has completed, another restart cycle is initiated. The sequence will repeat until the short circuit condition is cleared at which time the converter will resume normal operation. The effect is that during a shorted condition, a series of narrow pulses are generated at approximately 5% duty cycle which periodically sample the state of the load. Thus device power dissipation is greatly reduced during this mode of operation.

**Additional Filtering**

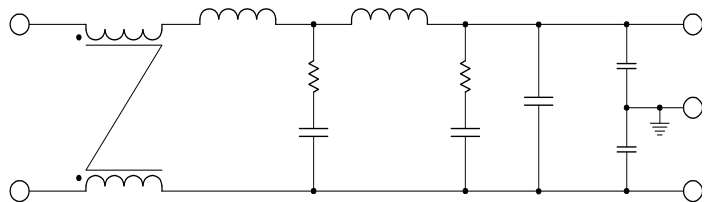
Although internal filtering is provided at both the input and output terminals of the ARM2800 series, additional filtering may be desirable in some applications to accommodate more stringent system requirements.

While the internal input filter of Fig. IV keeps input ripple current below 100 mA-p-p, an external filter is available that will further attenuate this ripple content to a level below the CE03 limits imposed by MIL-STD-461B. Fig. V is a general diagram of the Advanced Analog ARF461 filter module designed to operate in conjunction with the ARM2800 Series converters to provide that attenuation.

**Parallel Operation**

Although no special provision for forced current sharing has been incorporated in the ARM28XXT Series, multiple units may be operated in parallel for increased output power applications. The 5 volt outputs will typically share to within approximately 10% of their full load capability and the dual (±15 volt) outputs will typically share to within 50% of their full load. Load sharing is a function of the individual impedance of each output and the converter with the highest nominal set voltage will furnish the predominant load current.

**Fig. V. ARF461 Input EMI Filter**



**Input Under voltage Protection**

A minimum voltage is required at the input of the converter to initiate operation. This voltage is set to a nominal value of 16.8 volts. To preclude the possibility of noise or other variations at the input falsely initiating and halting converter operation, a hysteresis of approximately 1.0 volts is incorporated in this circuit. The converter is guaranteed to operate at 19 Volts input under all specified conditions.

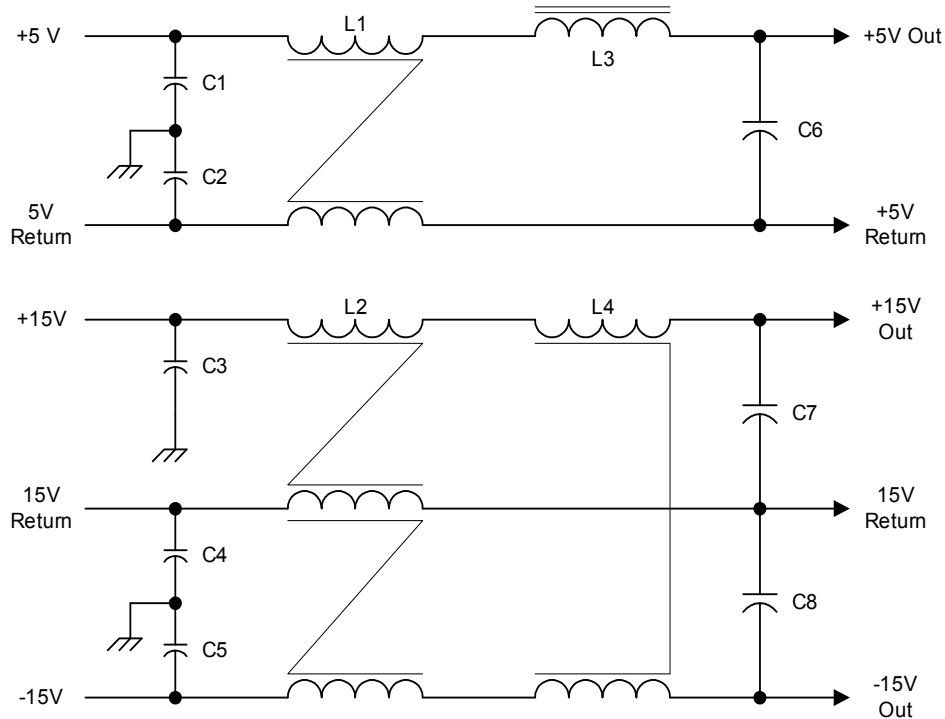
This circuit as shown in Fig. V is constructed using the same quality materials and processes as those employed in the ARM2800 Series converters and is intended for use in the same environments. This filter is fabricated in a complementary package style whose output pin configuration allows pin to pin connection between the filter and the converter. More complete information on this filter can be obtained from the ARF461 data sheet.



An external filter may also be added to the output where circuit requirements dictate extremely low output ripple noise. The output filter described by Fig.VI has been characterized with the ARM2815T using the values shown in the associated material list.

It is important to be aware that when filtering high frequency noise, parasitic circuit elements can easily dominate filter performance. Therefore, it is incumbent on the designer to exercise care when preparing a circuit layout for such devices. Wire runs and lengths should be minimized, high frequency loops should be avoided and careful attention paid to the construction details of magnetic circuit elements. Tight magnetic coupling will improve overall magnetic performance and reduce stray magnetic fields.

**Fig. VI. External Output Filter**

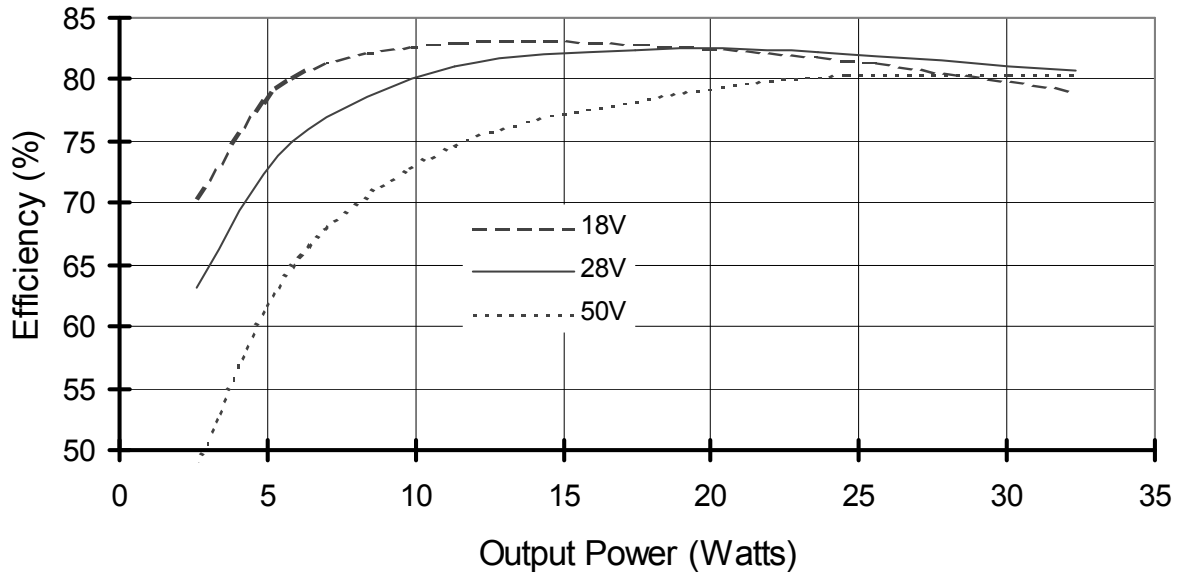


- L1 7 turns AWG21 bifilar on Mag Inc. core PN YJ-41305-TC or equivalent.
- L2 7 turns AWG24 trifilar on Mag Inc. core PN YJ-41305-TC or equivalent.
- L3 4 turns AWG21 on Mag Inc. core PN MPP55048 or equivalent.
- L4 5 turns AWG21 bifilar on Mag Inc. core PN MPP55048 or equivalent.
- C1-C5 2200pF type CKR ceramic capacitor.
- C6 170 $\mu$ F, 15V M39006/22-0514 Tantalum.
- C7,C8 25 $\mu$ F, 50V M39006/22-0568 Tantalum.

Measurement techniques can impose a significant influence on results. All noise measurements should be measured with test leads as close to the device output pins and as short as physically possible. Probe ground leads should be kept to a minimum length.

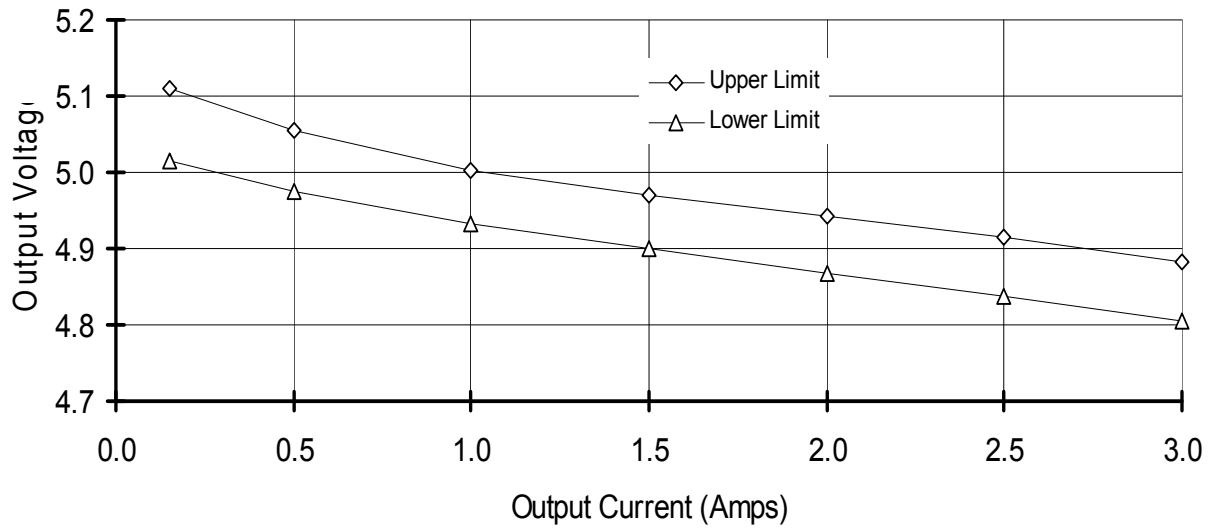
Performance Characteristics (Typical @ 25°C)

**Fig. VII. Efficiency vs Output Power**  
for Three Line Voltages.



**Fig. VIII. 5 V Output Regulation Limits**

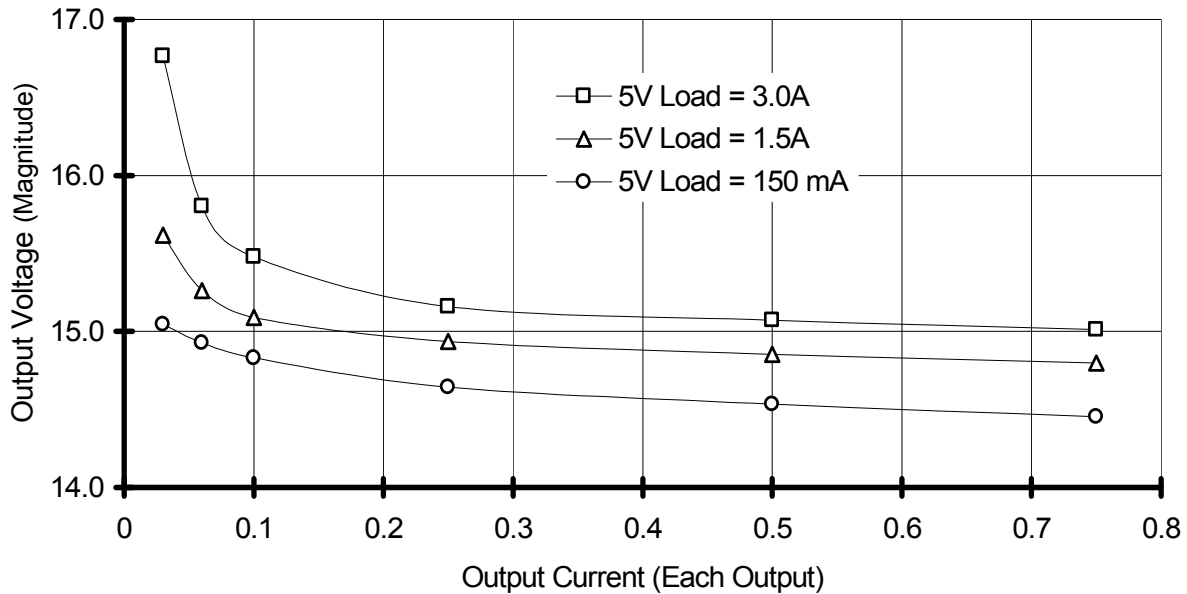
Including all conditions of Line, Load and Cross Regulation.



Performance Characteristics (Typical @ 25°C) (Continued)

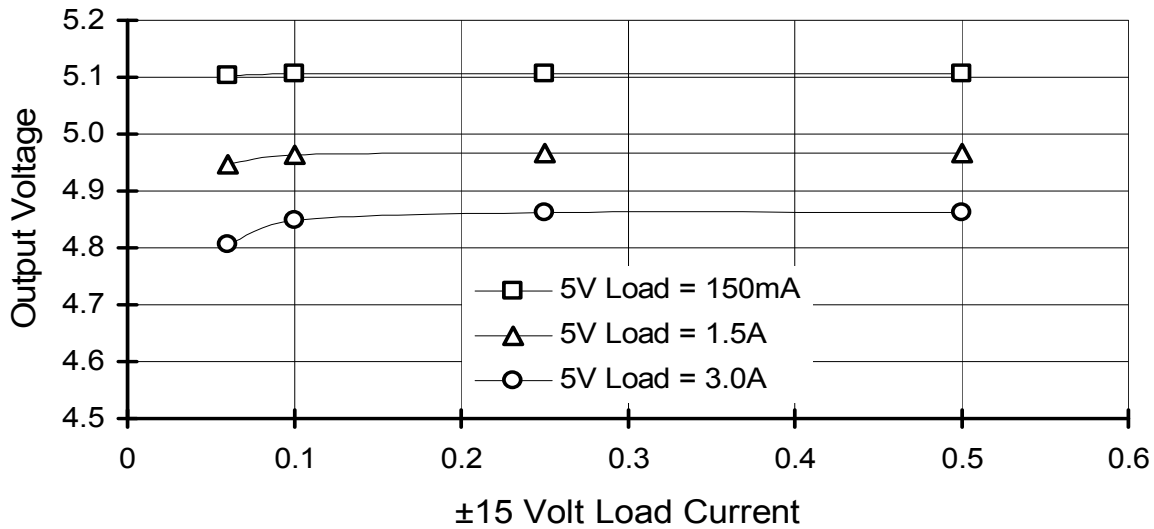
**Fig. IX. ±15 V Regulation Curves**

For Three conditions of Load on the 5 Volt Output.

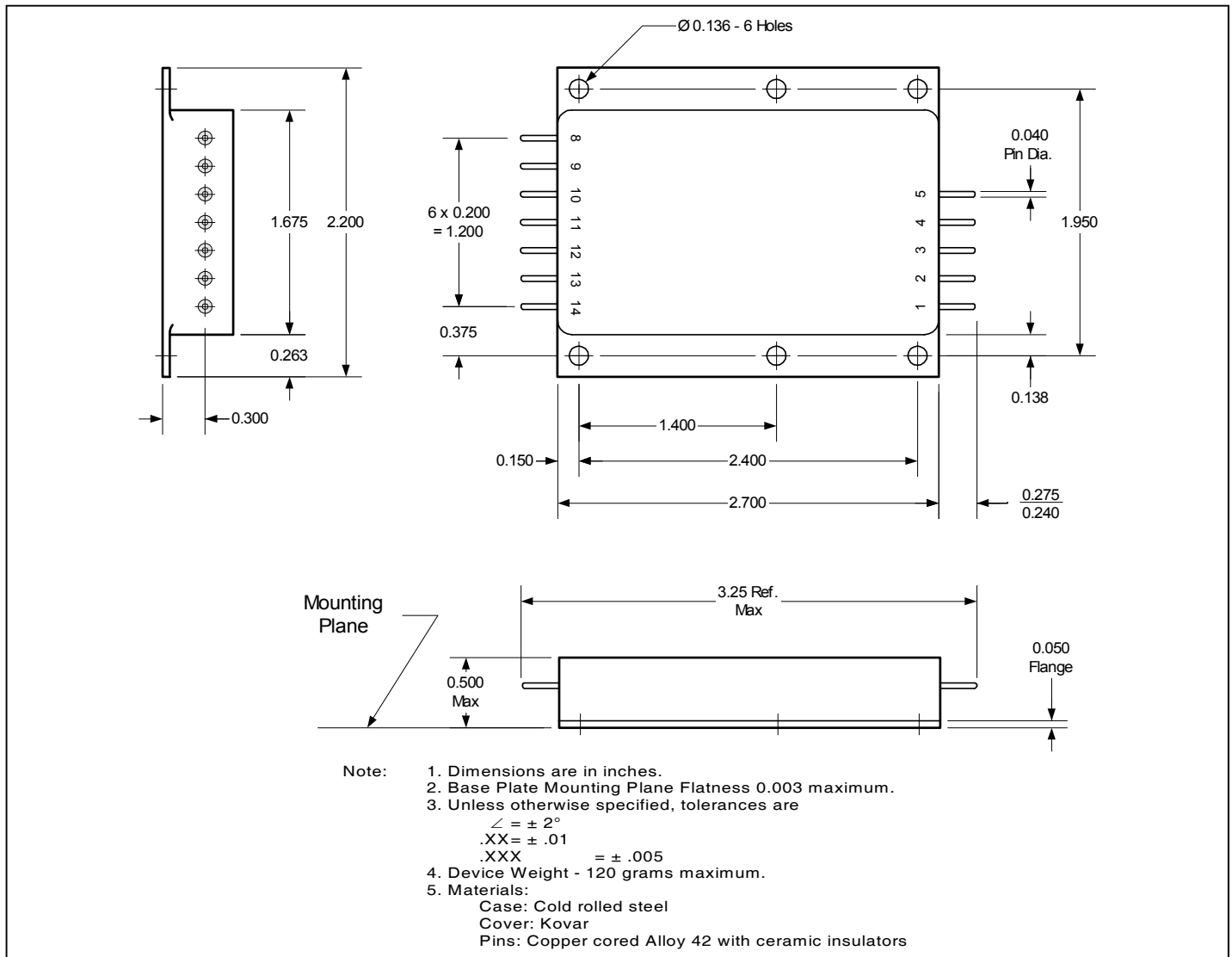


**Fig. X. Cross Regulation Curves**

5 Volt Output as a function of 15 Volt Load Current for Three 5 Volt Loads.



**Mechanical Outline**



**Pin Designation**

Pin #	Designation	Pin #	Designation
1	+ Input	8	NC
2	Input Return	9	-12 / -15V <sub>DC</sub> Output
3	Enable	10	+12 / +15V <sub>DC</sub> Output Return
4	Sync In	11	+12 / +15V <sub>DC</sub> Output
5	NC	12	Chassis
6		13	+5V <sub>DC</sub> Output
7		14	Output Return

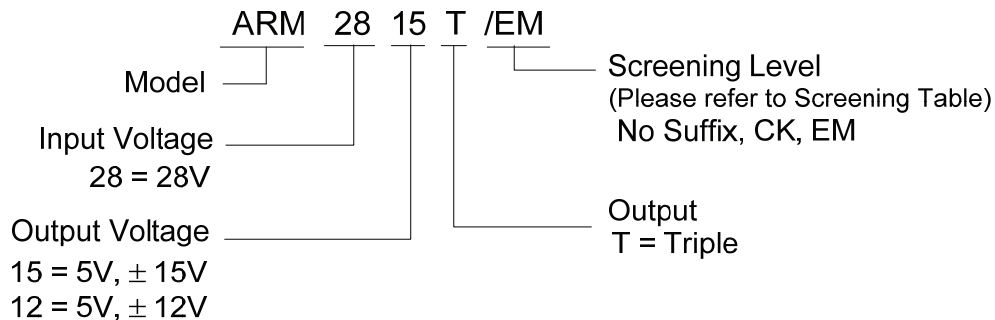
**Device Screening**

Requirement	MIL-STD-883 Method	No Suffix ②	CK ②	EM ③
Temperature Range	—	-55°C to +85°C	-55°C to +85°C	-55°C to +85°C
Element Evaluation	MIL-PRF-38534	Class K	Class K	N/A
Non-Destructive Bond Pull	2023	Yes	Yes	N/A
Internal Visual	2017	Yes	Yes	①
Temperature Cycle	1010	Cond C	Cond C	Cond C
Constant Acceleration	2001, Y1 Axis	3000 Gs	3000 Gs	3000 Gs
PIND	2020	Cond A	Cond A	N/A
Burn-In	1015	320 hrs @ 125°C (2 x 160 hrs)	320 hrs @ 125°C (2 x 160 hrs)	48 hrs @ 125°C
Final Electrical (Group A)	MIL-PRF-38534 & Specification	-55°C, +25°C, +85°C	-55°C, +25°C, +85°C	-55°C, +25°C, +85°C
PDA	MIL-PRF-38534	2%	2%	N/A
Seal, Fine and Gross	1014	Cond A, C	Cond A, C	Cond A
Radiographic	2012	Yes	Yes	N/A
External Visual	2009	Yes	Yes	①

**Notes:**

- ① Best commercial practice.
- ② CK is a DLA class K compliant without radiation performance. No suffix is a radiation rated device but not available as a DLA qualified SMD per MIL-PRF-38534.
- ③ Any Engineering Model (EM) build with the “EM” Suffix shall only be form, fit and functional equivalent to its Flight Model (FM) counterpart, and it may not meet the radiation performance. The EM Model shall not be expected comply with MIL-PRF-38534 flight quality/workmanship standards, and configuration control. An EM build may use electrical equivalent commercial grade components. IR HiRel will provide a list of non-compliance items upon request.

**Part Numbering**



### **IMPORTANT NOTICE**

The information given in this document shall be in no event regarded as guarantee of conditions or characteristic. The data contained herein is a characterization of the component based on internal standards and is intended to demonstrate and provide guidance for typical part performance. It will require further evaluation, qualification and analysis to determine suitability in the application environment to confirm compliance to your system requirements.

With respect to any example hints or any typical values stated herein and/or any information regarding the application of the product, Infineon Technologies hereby disclaims any and all warranties and liabilities of any kind including without limitation warranties on non- infringement of intellectual property rights and any third party.

In addition, any information given in this document is subject to customer's compliance with its obligations stated in this document and any applicable legal requirements, norms and standards concerning customer's product and any use of the product of Infineon Technologies in customer's applications.

The data contained in this document is exclusively intended for technically trained staff. It is the responsibility of any customer's technical departments to evaluate the suitability of the product for the intended applications and the completeness of the product information given in this document with respect to applications.

For further information on the product, technology, delivery terms and conditions and prices, please contact your local sales representative or go to ([www.infineon.com/hirel](http://www.infineon.com/hirel)).

### **WARNING**

Due to technical requirements products may contain dangerous substances. For information on the types in question, please contact your nearest Infineon Technologies office.

单击下面可查看定价，库存，交付和生命周期等信息

[>>Infineon Technologies\(英飞凌\)](#)