

TLD5541-2QV

Dual SYNC DC/DC Controller with SPI Interface

Infineon® LITIX™ Power Flex



Package	PG-VQFN-48-31
Marking	TLD55412QV
Sales Name	TLD5541-2QV

1 Overview

Features

- Dual-Channel synchronous DC/DC Controller for HIGH POWER LED drivers
- Wide LED forward voltage Range (2 V up to 55 V)
- Wide VIN Range (IC 4.5 V to 40 V, Power 4.5 V to 55 V)
- Switching Frequency Range from 200 kHz to 700 kHz
- SPI for diagnostics and control
- Maximum Efficiency in every condition (up to 96%)
- Multitopology constant Current (LED) and Constant Voltage Regulation
- Drives Multiple Load with a single IC thanks to the Fast Output Discharge operation
- Limp Home Function (Fail Safe Mode)
- EMC optimized device: Features an auto Spread Spectrum
- LED current sense with dedicated monitor Output
- Advanced protection features for device and load
- Enhanced Dimming features: Analog and PWM dimming
- LED current accuracy +/- 3%
- Available in a small thermally enhanced PG-VQFN-48-31 package
- Automotive AEC Qualified

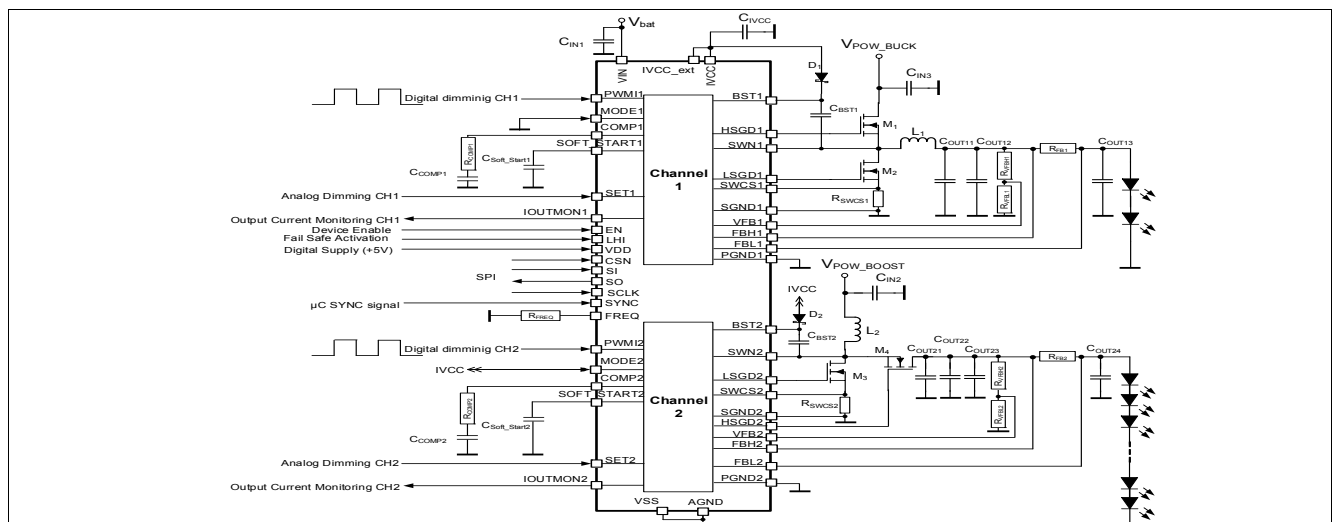
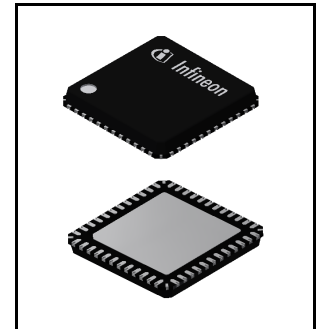


Figure 1 Application Drawing - TLD5541-2QV as current regulator

Overview

Description

The TLD5541-2QV is a synchronous DUAL Channel DC/DC controller with built in protection features and SPI interface. This concept is beneficial for driving high power LEDs with maximum system efficiency and minimum number of external components. The TLD5541-2QV offers both analog and digital (PWM) dimming. The switching frequency is adjustable in the range of 200 kHz to 700 kHz. It can be synchronized to an external clock source. A built in programmable Spread Spectrum switching frequency modulation and the forced continuous current regulation mode improve the overall EMC behavior. Furthermore the current mode regulation scheme provides a stable regulation loop maintained by small external compensation components. The adjustable soft start feature limits the current peak as well as voltage overshoot at start-up. The TLD5541-2QV is suitable for use in the harsh automotive environment.

Table 1 Product Summary

Power Stage input voltage range	V_{POW}	4.5 V ... 55 V
Device Input supply voltage range	V_{VIN}	4.5 V ... 40 V
Maximum output voltage (depending by the application conditions)	$V_{OUT(max)}$	55 V Boost Mode 50 V Buck Mode
Switching Frequency range	f_{SW}	200 kHz... 700 kHz
Typical NMOS driver on-state resistance at $T_j = 25^\circ\text{C}$ (Gate Pull Up)	$R_{DS(ON_PU)}$	2.3 Ω
Typical NMOS driver on-state resistance at $T_j = 25^\circ\text{C}$ (Gate Pull Down)	$R_{DS(ON_PD)}$	1.2 Ω
SPI clock frequency	$f_{SCLK(MAX)}$	5 MHz

Protective Functions

- Over load protection of external MOSFETs
- Shorted load, output overvoltage and overcurrent protection
- Input undervoltage protection
- Thermal shutdown of device with autorestart behavior
- Electrostatic discharge protection (ESD)

Diagnostic Functions

- Latched diagnostic information via SPI
- Open load detection in ON-state
- Device Overtemperature shutdown and Temperature Prewarning
- Smart monitoring and advanced functions provide I_{LED} information

Limp Home Function

- Limp Home activation via LHI pin

Applications

- Especially designed for driving high power LEDs in automotive applications
- Automotive Exterior Lighting: full LED headlamp assemblies (Low Beam, High Beam, Matrix Beam, Pixel Light)
- General purpose current/voltage controlled DC/DC LED driver

Block Diagram

2 Block Diagram

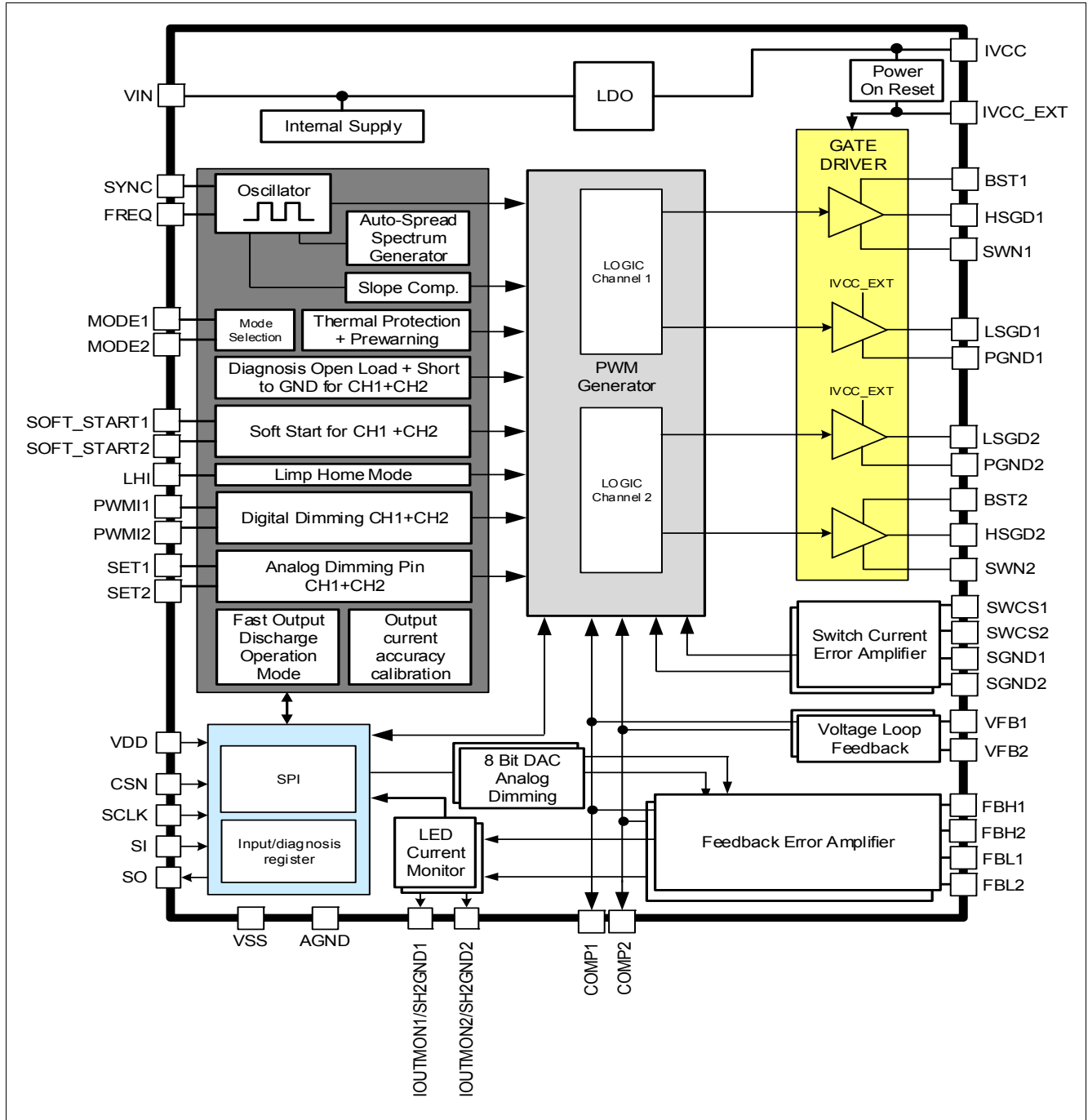


Figure 2 Block Diagram - TLD5541-2QV

Pin Configuration

3 Pin Configuration

3.1 Pin Assignment

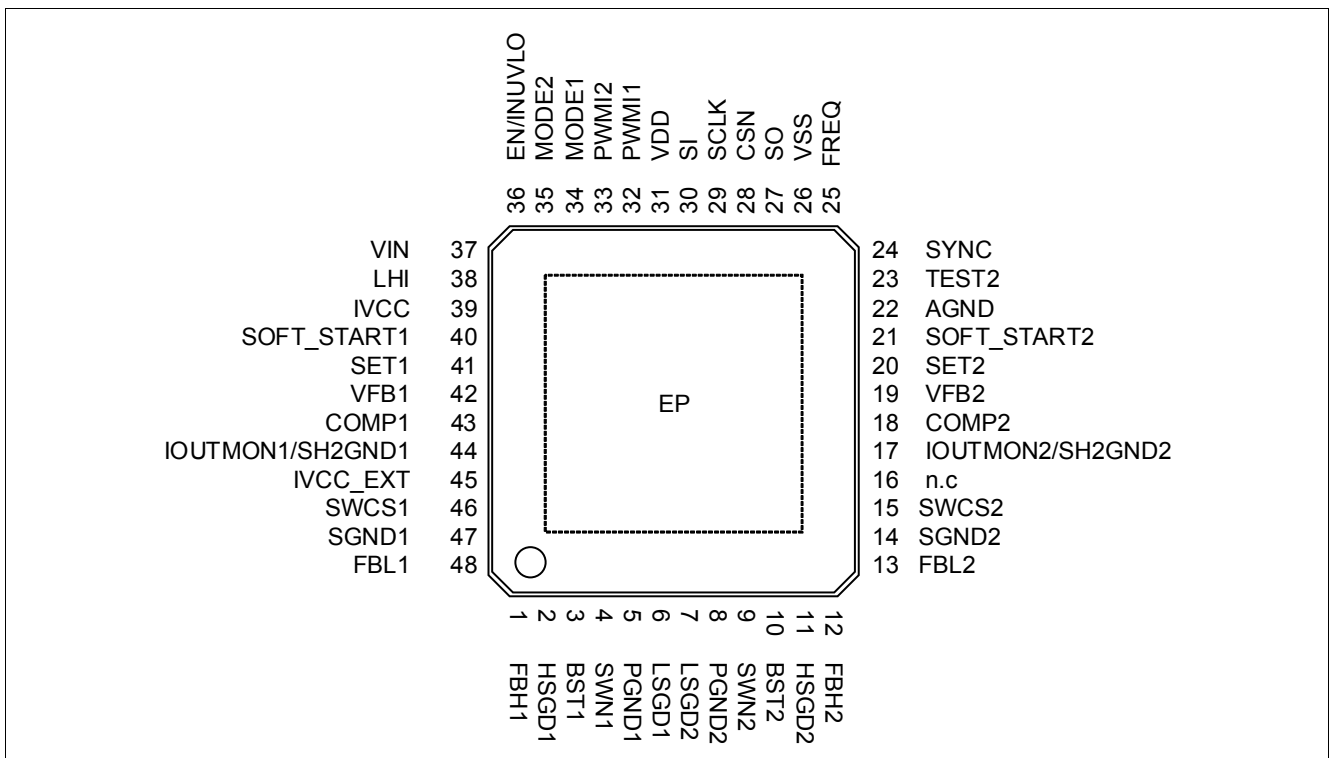


Figure 3 Pin Configuration -TLD5541-2QV

Pin Configuration

3.2 Pin Definitions and Functions

Pin	Symbol	I/O ¹⁾		Function
Power Supply				
16	n.c.	-		Not connected, tie to AGND on the Layout;
37	VIN	-		Power Supply Voltage; Supply for internal biasing.
31	VDD	-		Digital GPIO Supply Voltage; Connect to reverse voltage protected 5 V or 3.3 V supply.
45	IVCC_EXT	I	PD	External LDO input; Input to alternatively supply internal Gate Drivers via an external LDO. Connect to IVCC pin to use internal LDO to supply gate drivers. Must not be left open.
5, 8	PGND1, 2	-		Power Ground; Ground for power potential. Connect externally close to the chip.
26	VSS	-		Digital GPIO Ground; Ground for GPIO pins.
22	AGND	-		Analog Ground; Ground Reference
-	EP	-		Exposed Pad; Connect to external heatspreading Cu area (e.g. inner GND layer of multilayer PCB with thermal vias).
Gate Driver Stages				
2	HSGD1	O		Highside Gate Driver Output 1; Drives the top n-channel MOSFET with a voltage equal to V_{IVCC_EXT} superimposed on the switch node voltage SWN1. Connect to gate of external switching MOSFET.
11	HSGD2	O		Highside Gate Driver Output 2; Drives the top n-channel MOSFET with a voltage equal to V_{IVCC_EXT} superimposed on the switch node voltage SWN2. Connect to gate of external switching MOSFET.
6	LSGD1	O		Lowside Gate Driver Output 1; Drives the lowside n-channel MOSFET between GND and V_{IVCC_EXT} . Connect to gate of external switching MOSFET.
7	LSGD2	O		Lowside Gate Driver Output 2; Drives the lowside n-channel MOSFET between GND and V_{IVCC_EXT} . Connect to gate of external switching MOSFET.
4	SWN1	IO		Switch Node 1;
9	SWN2	IO		Switch Node 2;
39	IVCC	O		Internal LDO output; Used for internal biasing and gate driver supply. Bypass with external capacitor close to the pin. Pin must not be left open.

Pin Configuration

Pin	Symbol	I/ O	¹⁾	Function
Inputs and Outputs				
38	LHI	I	PD	Limp Home Input Pin; Used to enter in Limp Home state during Fail Safe condition.
23	TEST2	-		Test Pin; Used for Infineon end of line test, connect to GND in application.
36	EN/INUVLO	I	PD	Enable/Input Under Voltage Lock Out; Used to put the device in a low current consumption mode, with additional capability to fix an undervoltage threshold via external components. Pin must not be left open.
25	FREQ	I		Frequency Select Input; Connect external resistor to GND to set frequency.
24	SYNC	I	PD	Synchronization Input; Apply external clock signal for synchronization.
32	PWMI1	I	PD	Control Input CH1; Digital input 5 V or 3.3 V.
33	PWMI2	I	PD	Control Input CH2; Digital input 5 V or 3.3 V.
1	FBH1	I		Output current Feedback Positive for CH1; Non inverting Input (+) CH1.
12	FBH2	I		Output current Feedback Positive for CH2; Non inverting Input (+) CH2.
48	FBL1	I		Output current Feedback Negative for CH1; Inverting Input (-) CH1.
13	FBL2	I		Output current Feedback Negative for CH2; Inverting Input (-) CH2.
3	BST1	IO		Bootstrap capacitor; Used for internal biasing and to drive the Highside Switch HSGD1. Bypass to SWN1 with external capacitor close to the pin. Pin must not be left open.
10	BST2	IO		Bootstrap capacitor; Used for internal biasing and to drive the Highside Switch HSGD2. Bypass to SWN2 with external capacitor close to the pin. Pin must not be left open.
46	SWCS1	I		Current Sense Input for CH1; Inductor current sense CH1 - Non Inverting Input (+).
15	SWCS2	I		Current Sense Input for CH2; Inductor current sense CH2 - Non Inverting Input (+).
47	SGND1	I		Current Sense Ground for CH1; Inductor current sense CH1 - Inverting Input (-). Route as Differential net with SWCS1 on the Layout.
14	SGND2	I		Current Sense Ground for CH2; Inductor current sense CH2 - Inverting Input (-). Route as Differential net with SWCS2 on the Layout.

Pin Configuration

Pin	Symbol	I/O ¹⁾	Function
43	COMP1	O	Compensation Network Pin for CH1; Connect R and C network to pin for stability phase margin adjustment for CH1.
18	COMP2	O	Compensation Network Pin for CH2; Connect R and C network to pin for stability phase margin adjustment for CH2.
40	SOFT_START1	O	Softstart configuration Pin for CH1; Connect a capacitor C_{SOFT_START1} to GND to fix a soft start ramp default time.
21	SOFT_START2	O	Softstart configuration Pin for CH2; Connect a capacitor C_{SOFT_START2} to GND to fix a soft start ramp default time.
42	VFB1	I	Voltage Feedback Pin for CH1; VFB is intended to set output protection functions for CH1.
19	VFB2	I	Voltage Feedback Pin for CH2; VFB is intended to set output protection functions for CH2.
41	SET1	I	Analog current sense adjustment Pin for CH1;
20	SET2	I	Analog current sense adjustment Pin for CH2;
44	IOUTMON1/SH2GND1	O	PD Output current monitor output 1/Short to ground Flag 1; MODE1=LOW: Monitor pin that produces a linear function of I_{OUT} as a voltage. MODE1=HIGH: Short to ground error flag. Pin configuration is forced to Output current monitor when $CURRMON_CH1 \cdot IOUTMON_CH1=HIGH$.
17	IOUTMON2/SH2GND2	O	PD Output current monitor output 2/Short to ground Flag 2; MODE2=LOW: Monitor pin that produces a linear function of I_{OUT} as a voltage. MODE2=HIGH: Short to ground error flag. Pin configuration is forced to Output current monitor when $CURRMON_CH2 \cdot IOUTMON_CH2=HIGH$.
34	MODE1	I	PD Regulation Mode selection Pin for CH1; LOW: BUCK Regulation HIGH: BOOST Regulation.
35	MODE2	I	PD Regulation Mode selection Pin for CH2; LOW: BUCK Regulation HIGH: BOOST Regulation.

SPI

30	SI	I	PD	Serial data in; Digital input 5 V or 3.3 V.
29	SCLK	I	PD	Serial clock; Digital input 5 V or 3.3 V.
28	CSN	I	PU	SPI chip select; Digital input 5 V or 3.3 V. Active LOW.
27	SO	O		Serial data out; Digital output, referenced to V_{DD} .

Pin Configuration

- 1) O: Output, I: Input,
PD: pull-down circuit integrated,
PU: pull-up circuit integrated

General Product Characteristics

4 General Product Characteristics

4.1 Absolute Maximum Ratings

Table 2 Absolute Maximum Ratings¹⁾
 $T_J = -40^{\circ}\text{C}$ to $+150^{\circ}\text{C}$; all voltages with respect to AGND, (unless otherwise specified)

Parameter	Symbol	Values			Unit	Note or Test Condition	Number
		Min.	Typ.	Max.			
Supply Voltages							
VIN Supply Input	V_{VIN}	-0.3	-	60	V	-	P_4.1.1
VDD Digital supply voltage	V_{VDD}	-0.3	-	6	V	-	P_4.1.2
IVCC Internal Linear Voltage Regulator Output voltage	V_{IVCC}	-0.3	-	6	V	-	P_4.1.3
IVCC_EXT External Linear Voltage Regulator Input voltage	V_{IVCC_EXT}	-0.3	-	6	V	-	P_4.1.4
Gate Driver Stages							
LSGD1,2 - PGND1,2 Lowside Gatedriver voltage	$V_{LSGD1,2-}$ PGND1,2	-0.3	-	5.5	V	-	P_4.1.54
HSGD1,2 - SWN1,2 Highside Gatedriver voltage	$V_{HSGD1,2-}$ SWN1,2	-0.3	-	5.5	V	-	P_4.1.55
SWN1, SWN2 switching node voltage	$V_{SWN1,2}$	-1	-	60	V	-	P_4.1.6
(BST1-SWN1), (BST2-SWN2) Bootstrap voltage	$V_{BST1,2-}$ SWN1,2	-0.3	-	6	V	-	P_4.1.7
BST1, BST2 Bootstrap voltage related to GND	$V_{BST1,2}$	-0.3	-	65	V	-	P_4.1.8
SWCS1,2 Switch Current Sense Input voltages	$V_{SWCS1,2}$	-0.3	-	0.3	V	-	P_4.1.42
SGND1,2 Switch Current Sense GND voltages	$V_{SGND1,2}$	-0.3	-	0.3	V	-	P_4.1.43
SWCS1,2-SGND1,2 Switch Current Sense differential voltages	$V_{SWCS1,2-}$ SGND1,2	-0.5	-	0.5	V	-	P_4.1.44
PGND1,2 Power GND voltage	$V_{PGND1,2}$	-0.3	-	0.3	V	-	P_4.1.28
High voltage Pins							
FBH1,2; FBL1,2 Feedback Error Amplifier voltages	$V_{FBH1,2;}$ FBL1,2	-0.3	-	60	V	-	P_4.1.45

General Product Characteristics

Table 2 Absolute Maximum Ratings¹⁾ (cont'd)
 $T_J = -40^{\circ}\text{C}$ to $+150^{\circ}\text{C}$; all voltages with respect to AGND, (unless otherwise specified)

Parameter	Symbol	Values			Unit	Note or Test Condition	Number
		Min.	Typ.	Max.			
FBH1,2-FBL1,2 Feedback Error Amplifier differential voltages	$V_{\text{FBH1,2-FBL1,2}}$	-0.5	-	0.5	V	-	P_4.1.47
EN/INUVLO Device enable/input undervoltage lockout	$V_{\text{EN/INUVLO}}$	-0.3	-	60	V	-	P_4.1.16
Digital (I/O) Pins							
PWM1,2 Digital Input voltages	$V_{\text{PWM1,2}}$	-0.3	-	5.5	V	-	P_4.1.49
CSN Voltage at Chip Select pin	V_{CSN}	-0.3	-	5.5	V	-	P_4.1.18
SCLK Voltage at Serial Clock pin	V_{SCLK}	-0.3	-	5.5	V	-	P_4.1.19
SI Voltage at Serial Input pin	V_{SI}	-0.3	-	5.5	V	-	P_4.1.20
SO Voltage at Serial Output pin	V_{SO}	-0.3	-	5.5	V	-	P_4.1.21
SYNC Synchronization Input voltage	V_{SYNC}	-0.3	-	5.5	V	-	P_4.1.22
MODE1, 2 Regulation Mode selection Input voltages	$V_{\text{MODE1,2}}$	-0.3	-	5.5	V	-	P_4.1.57
LHI Limp Home Input Voltage	V_{LHI}	-0.3	-	5.5	V	-	P_4.1.58
LHI Limp Home Input Current	I_{LHI}	-5	-	-	mA	-	P_4.1.60
Analog Pins							
VFB1,2 Loop Input voltages	$V_{\text{VFB1,2}}$	-0.3	-	5.5	V	-	P_4.1.50
SET1,2 Analog dimming Input voltage	$V_{\text{SET1,2}}$	-0.3	-	5.5	V	-	P_4.1.56
COMP1,2 Compensation Input voltages	$V_{\text{COMP1,2}}$	-0.3	-	3.6	V	-	P_4.1.52
SOFT_START1,2 Softstart Voltages	$V_{\text{SOFT_STAR T1,2}}$	-0.3	-	3.6	V	-	P_4.1.53
FREQ Voltage at frequency selection pin	V_{FREQ}	-0.3	-	3.6	V	-	P_4.1.32
IOUTMON1,2/SH2GND1,2 Voltages at output monitor pins	$V_{\text{IOUTMON1, 2}}$	-0.3	-	5.5	V	-	P_4.1.59
Temperatures							

General Product Characteristics

Table 2 Absolute Maximum Ratings¹⁾ (cont'd)
 $T_j = -40^{\circ}\text{C}$ to $+150^{\circ}\text{C}$; all voltages with respect to AGND, (unless otherwise specified)

Parameter	Symbol	Values			Unit	Note or Test Condition	Number
		Min.	Typ.	Max.			
Junction Temperature	T_j	-40	–	150	$^{\circ}\text{C}$	–	P_4.1.35
Storage Temperature	T_{stg}	-55	–	150	$^{\circ}\text{C}$	–	P_4.1.36
ESD Susceptibility							
ESD Resistivity of all Pins	$V_{\text{ESD,HBM}}$	-2	–	2	kV	HBM ²⁾	P_4.1.37
ESD Resistivity to GND	$V_{\text{ESD,CDM}}$	-500	–	500	V	CDM ³⁾	P_4.1.38
ESD Resistivity of corner Pins to GND	$V_{\text{ESD,CDM_corner}}$	-750	–	750	V	CDM ³⁾	P_4.1.39

- 1) Not subject to production test, specified by design.
- 2) ESD susceptibility, HBM according to ANSI/ESDA/JEDEC JS001 (1.5 kV, 100 pF)
- 3) ESD susceptibility, Charged Device Model “CDM” ESDA STM5.3.1 or ANSI/ESD S.5.3.1

Note: Stresses above the ones listed here may cause permanent damage to the device. Exposure to absolute maximum rating conditions for extended periods may affect device reliability.

Integrated protection functions are designed to prevent IC destruction under fault conditions described in the datasheet. Fault conditions are considered as “outside” normal operating range. Protection functions are not designed for continuous repetitive operation.

4.2 Functional Range

Table 3 Functional Range

Parameter	Symbol	Values			Unit	Note or Test Condition	Number
		Min.	Typ.	Max.			
Device Extended Supply Voltage Range	V_{VIN}	4.5	–	40	V	1)	P_4.2.1
Device Nominal Supply Voltage Range	V_{VIN}	8	–	36	V	–	P_4.2.2
Power Stage Voltage Range	V_{POW}	4.5	–	55	V	1)	P_4.2.5
Digital Supply Voltage	V_{DD}	3	–	5.5	V	–	P_4.2.3
Junction Temperature	T_j	-40	–	150	$^{\circ}\text{C}$	–	P_4.2.4

- 1) Not subject to production test, specified by design.

Note: Within the functional range the IC operates as described in the circuit description. The electrical characteristics are specified within the conditions given in the related electrical characteristics table.

4.3 Thermal Resistance

General Product Characteristics

Note: This thermal data was generated in accordance with JEDEC JESD51 standards. For more information, go to www.jedec.org.

Table 4

Parameter	Symbol	Values			Unit	Note or Test Condition	Number
		Min.	Typ.	Max.			
Junction to Case	R_{thJC}	–	0.9	–	K/W	^{1) 2)}	P_4.3.1
Junction to Ambient	R_{thJA}	–	25	–	K/W	³⁾ 2s2p	P_4.3.2

- 1) Not subject to production test, specified by design.
- 2) Specified R_{thJC} value is simulated at natural convection on a cold plate setup (all pins and the exposed pad are fixed to ambient temperature). $T_a = 25^\circ\text{C}$; The IC is dissipating 1 W.
- 3) Specified R_{thJA} value is according to JEDEC 2s2p (JESD 51-7) + (JESD 51-5) and JEDEC 1s0p (JESD 51-3) + heatsink area at natural convection on FR4 board; The device was simulated on a 76.2 x 114.3 x 1.5 mm board. The 2s2p board has 2 outer copper layers (2 x 70 μm Cu) and 2 inner copper layers (2 x 35 μm Cu). A thermal via (diameter = 0.3 mm and 25 μm plating) array was applied under the exposed pad and connected the first outer layer (top) to the first inner layer and second outer layer (bottom) of the JEDEC PCB. $T_a = 25^\circ\text{C}$; The IC is dissipating 1 W.

Power Supply

5 Power Supply

The TLD5541-2QV is supplied by the following pins:

- VIN (main supply voltage)
- VDD (digital supply voltage)
- IVCC_EXT (supply for internal gate driver stages)

The VIN supply, in combination with the VDD supply, provides internal supply voltages for the analog and digital blocks. In situations where VIN voltage drops below VDD voltage, an increased current consumption may be observed at the VDD pin.

The SPI and IO interfaces are supplied by the VDD pin.

IVCC_EXT is the supply for the low side driver stages. This supply is used also to charge, through external Schottky diodes, the bootstrap capacitors which provide supply voltages to the high side driver stages. If no external voltage is available this pin must be shorted to IVCC, which is the output of an internal 5 V LDO.

The supply pins VIN, VDD and IVCC_EXT have undervoltage detections.

Undervoltage on VDD supply voltage prevents the activation of the gate driver stages and any SPI communication (the SPI registers are reset). Undervoltage on IVCC_EXT or IVCC voltages forces a deactivation of the driver stages, thus stopping the switching activity, but has no effect on the SPI register settings.

Moreover the double function pin EN/INUVLO can be used as an input undervoltage protection by placing a resistor divider from VIN to GND .

If EN/INUVLO undervoltage is detected, it will turn-off the IVCC voltage regulator, stop switching, stop communications and reset all the registers.

Figure 4 shows a basic concept drawing of the supply domains and interactions among pins VIN, VDD and IVCC/IVCC_EXT.

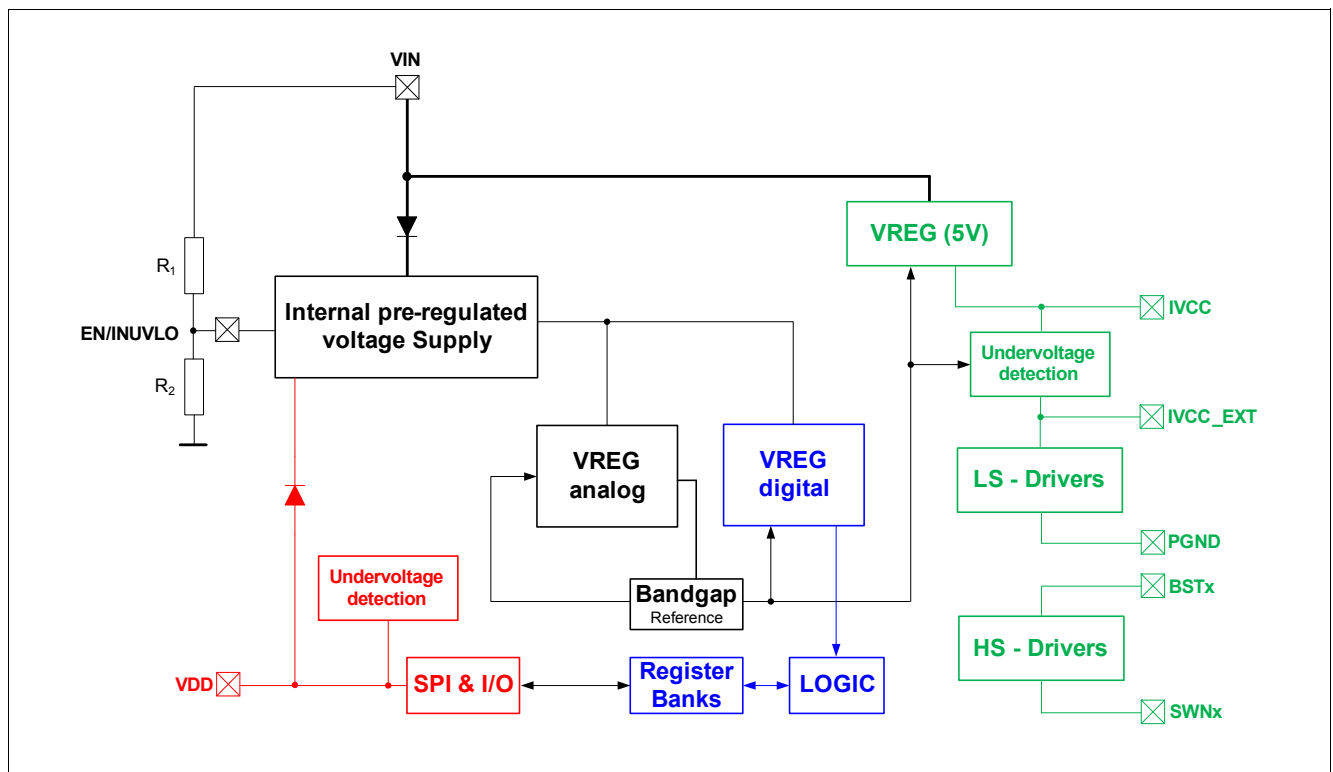


Figure 4 Power Supply Concept Drawing

Power Supply

Usage of EN/INUVLO pin in different applications

The pin EN/INUVLO is a double function pin and can be used to put the device into a low current consumption mode. An undervoltage threshold is fixed by placing an external resistor divider (A) in order to avoid low voltage operating conditions. This pin can be driven by a μC -port as shown in (B) (C).

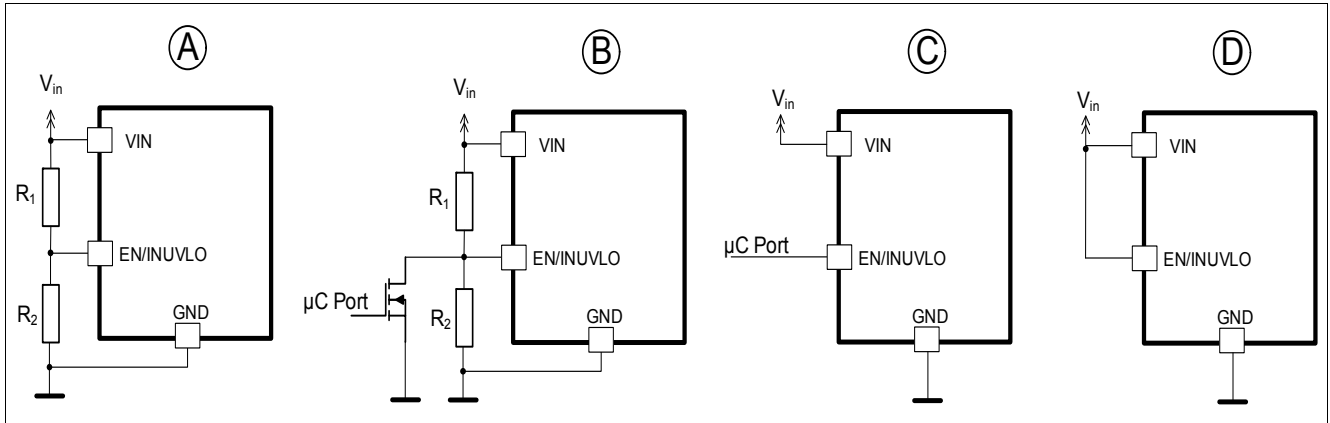


Figure 5 Usage of EN/INUVLO pin in different applications

Power Supply

5.1 Different Power States

TLD5541-2QV has the following power states:

- SLEEP state
- IDLE state
- LIMP HOME state
- ACTIVE state

The transition between the power states is determined according to these variables after a filter time of max. 3 clock cycles:

- VIN level
- EN/INUVLO level
- IVCC level
- IVCC_EXT level
- VDD level
- LHI level
- DVCCTRL.IDLE bit state

The state diagram including the possible transitions is shown in [Figure 6](#).

The Power-up condition is entered when the supply voltage V_{VIN} exceed its minimum supply voltage threshold $V_{VIN(ON)}$.

SLEEP

When the device is powered it enters the SLEEP state, all outputs are OFF and the SPI registers are reset, independently from the supply voltages at the pins VIN , VDD, IVCC, and IVCC_EXT. The current consumption is low. Refer to parameters: $I_{VDD(SLEEP)}$ and $I_{VIN(SLEEP)}$.

The transition from SLEEP to ACTIVE state requires a specified time: t_{ACTIVE} .

IDLE

In IDLE state, the current consumption of the device can reach the limits given by parameter I_{VDD} (P_5.3.4). The internal voltage regulator is working. Not all diagnosis functions are available (refer to [Chapter 10](#) for additional informations). In this state there is no switching activity, independently from the supply voltages V_{IN} , V_{DD} , IVCC and IVCC_EXT. When V_{DD} is available, the SPI registers are working and SPI communication is possible.

Limp Home

The Limp Home state is beneficial to fulfill system safety requirements and provides the possibility to maintain a defined current/voltage level on the output via a backup control circuitry. The backup control circuitry turns on required loads during a malfunction of the μC . For detailed info, refer to [Chapter 8](#).

When Limp Home state is entered, SPI registers are reset to their default values. In order to regulate the output current/voltage, it is necessary that V_{IN} and IVCC_EXT are present and above their undervoltage threshold. If also VDD is above its undervoltage threshold, SPI communication is possible but only in read mode.

ACTIVE

In active state the device will start switching activity to provide power at the output only when PWM1,2 = HIGH or LOOPCTRL_CH1, 2 . PWM_1, 2 = HIGH. To start the Highside gate drivers HSGD1,2 the voltage level $V_{BST1,2} - V_{SWN1,2}$ needs to be above the threshold $V_{BST1,2} - V_{SWN1,2_UVth}$. In order to recharge the bootstrap capacitor, sporadic switching activity could also be observed when PWM1,2 = LOW and LOOPCTRL_CH1,2.PWM_1,2 =

Power Supply

LOW. In ACTIVE state the device current consumption via V_{IN} and V_{DD} is dependent on the external MOSFET used and the switching frequency f_{SW} .

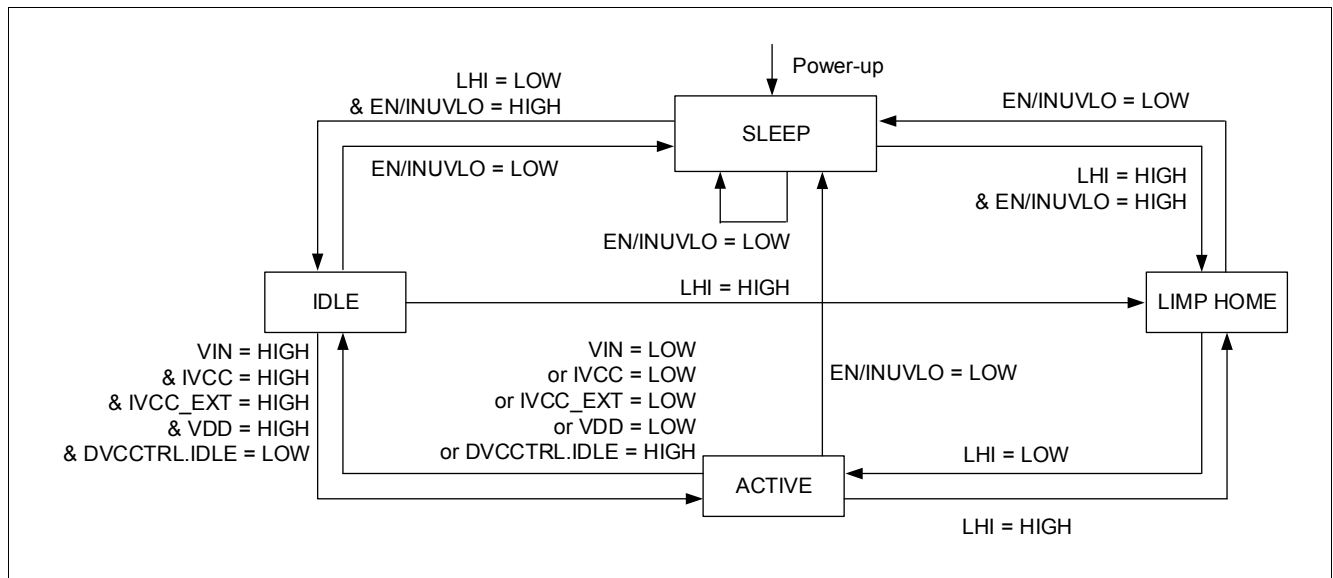


Figure 6 Simplified State Diagram

5.2 Different Possibilities to RESET the device

There are several reset triggers implemented in the device.

After any kind of reset, the Transmission Error Flag (TER) is set to HIGH.

Under Voltage Reset:

EN/INUVLO: When EN/INUVLO is below $V_{EN/INUVLOth}$ (P_5.3.7), the SPI interface is not working and all the registers are reset to their default values. In addition, the device enters SLEEP mode and the current consumption is minimized.

VDD: When V_{VDD} is below $V_{VDD(UV)}$ (P_5.3.6), the SPI interface is not working and all the registers are reset to their default values.

Reset via SPI command:

There is a command (DVCCTRL.SWRST = HIGH) available to RESET all writeable registers to their default values. Note that the result coming from the Calibration routine, which is readable by the SPI when LOOPCTRL_CH1,2.ENCAL_CH1,2 = HIGH, is not reset by the SWRST.

Reset via Limp Home:

When Limp Home state is detected the registers are reset to the default values.

Power Supply

5.3 Electrical Characteristics

Table 5 EC Power Supply

$V_{IN} = 8\text{ V to }36\text{ V}$, $T_J = -40^\circ\text{C to }+150^\circ\text{C}$, all voltages with respect to AGND; (unless otherwise specified)

Parameter	Symbol	Values			Unit	Note or Test Condition	Number
		Min.	Typ.	Max.			
Power Supply V_{IN}							
Input Voltage Startup	$V_{VIN(ON)}$	–	–	4.7	V	V_{IN} increasing; $V_{EN/INUVLO} = \text{HIGH}$; $V_{DD} = 5\text{ V}$; $IVCC = IVCC_EXT = 10\text{ mA}$;	P_5.3.1
Input Undervoltage switch OFF	$V_{VIN(OFF)}$	–	–	4.5	V	V_{IN} decreasing; $V_{EN/INUVLO} = \text{HIGH}$; $V_{DD} = 5\text{ V}$; $IVCC = IVCC_EXT = 10\text{ mA}$;	P_5.3.14
Device operating current	$I_{VIN(ACTIVE)}$	–	6.2	9	mA	¹⁾ ACTIVE mode; $V_{PWM1,2} = 0\text{ V}$;	P_5.3.2
V_{IN} Sleep mode supply current	$I_{VIN(SLEEP)}$	–	–	1.5	μA	$V_{EN/INUVLO} = 0\text{ V}$; $V_{CSN} = V_{DD} = 5\text{ V}$; $V_{IN} = 13.5\text{ V}$; $V_{IVCC} = V_{IVCC_EXT} = 0\text{ V}$;	P_5.3.3
Digital Power Supply V_{DD}							
Digital supply current	I_{VDD}	–	–	0.5	mA	$V_{IN} = 13.5\text{ V}$; $f_{SCLK} = 0\text{ Hz}$; $V_{PWM1,2} = 0\text{ V}$; $V_{EN} = V_{CSN} = V_{DD} = 5\text{ V}$;	P_5.3.4
Digital Supply Sleep mode current	$I_{VDD(SLEEP)}$	–	–	1.5	μA	$V_{EN/INUVLO} = 0\text{ V}$; $V_{CSN} = V_{DD} = 5\text{ V}$; $V_{IN} = 13.5\text{ V}$; $V_{IVCC} = V_{IVCC_EXT} = 0\text{ V}$;	P_5.3.5
Undervoltage shutdown threshold voltage	$V_{VDD(UV)}$	1	–	3	V	$V_{CSN} = V_{DD}$; $V_{SI} = V_{SCLK} = 0\text{ V}$; SO from LOW to HIGH impedance;	P_5.3.6
EN/INUVLO Pin characteristics							
Input Undervoltage falling Threshold	$V_{EN/INUVLO(th)}$	1.6	1.75	1.9	V	–	P_5.3.7
EN/INUVLO Rising Hysteresis	$V_{EN/INUVLO(hyst)}$	–	90	–	mV	¹⁾	P_5.3.8
EN/INUVLO input Current LOW	$I_{EN/INUVLO(LOW)}$	0.45	0.89	1.34	μA	$V_{EN/INUVLO} = 0.8\text{ V}$;	P_5.3.9

Power Supply

Table 5 EC Power Supply (cont'd)

$V_{IN} = 8\text{ V to }36\text{ V}$, $T_J = -40^\circ\text{C to }+150^\circ\text{C}$, all voltages with respect to AGND; (unless otherwise specified)

Parameter	Symbol	Values			Unit	Note or Test Condition	Number
		Min.	Typ.	Max.			
EN/INUVLO input Current HIGH	$I_{EN/INUVLO(HIGH)}$	1.1	2.2	3.3	μA	$V_{EN/INUVLO} = 2\text{ V};$	P_5.3.10

LHI Pin characteristics

LOW level	$V_{LHI(L)}$	0	-	0.8	V	-	P_5.3.16
HIGH level	$V_{LHI(H)}$	2.0	-	5.5	V	-	P_5.3.17
L-Input pull-down current	$I_{LHI(L)}$	6	12	18	μA	$V_{LHI} = 0.8\text{ V};$	P_5.3.18
H-Input pull-down current	$I_{LHI(H)}$	15	30	45	μA	$V_{LHI} = 2.0\text{ V};$	P_5.3.19

Timings

SLEEP mode to ACTIVE time	t_{ACTIVE}	-	-	0.7	ms	1) $V_{IVCC} = V_{IVCC_EXT};$ $C_{IVCC} = 10\ \mu\text{F};$ $V_{IN} = 13.5\text{ V};$ $V_{DD} = 5\text{ V};$	P_5.3.11
---------------------------	--------------	---	---	-----	----	---	----------

1) Not subject to production test, specified by design.

Regulator Description

6 Regulator Description

The TLD5541-2QV includes all of the functions necessary to provide constant current to the output as usually required to drive LEDs. A voltage mode regulation can also be implemented (Refer to [Chapter 6.6](#)).

In deep buck applications, due to duty cycle limitations ($D_{\text{BUCK_MIN}}$) the device will enter pulse skipping mode in order to keep regulating the average output current, the output ripple may increase.

The minimum duty cycle is dependent by the f_{sw} .

A SPI flag provides mode feedback to the μC (refer to SPI bits `FAULTS_CH1, 2.REGUMODFB_CH1, 2`).

6.1 Regulator Diagram Description

An analog current control loop (A5, A4 with compressive gain = $IFBx_{\text{gm}}$) connected to the sensing pins FBL1,2, FBH1,2 regulates the output current.

The regulator function is implemented by a pulse width modulated (PWM) current mode controller. The error in the output current loop is used to determine the appropriate duty cycle to get a constant output current.

An external compensation network ($R_{\text{COMP}}, C_{\text{COMP}}$) is used to adjust the control loop to various application boundary conditions.

The inductor current for the current mode loop is sensed by the R_{SWCS} resistor.

R_{SWCS} is used also to limit the maximum external switches / inductor current.

If the Voltage across R_{SWCS} exceeds its overcurrent threshold ($V_{\text{SWCS1,2_buck}}$ or $V_{\text{SWCS1,2_boost}}$ for buck or boost operation respectively) the device reduces the duty cycle in order to bring the switches current below the imposed limit.

The current mode controller has a built-in slope compensation as well to prevent sub-harmonic oscillations.

The control loop logic block (LOGIC_CHx) provides a PWM signal to two internal gate drivers. The gate drivers (HSGD1,2 and LSGD1,2) are used to drive external MOSFETs in a multitopology configuration. Once the soft start expires a forced CCM regulation mode is performed.

The control loop block diagram displayed in [Figure 7](#) shows a typical constant current application. The voltage across R_{FB} sets the output current.

The output current is fixed via the SPI parameter (`LEDCURRADIM_CH1, 2.ADIMVAL_CH1, 2 = 11110000B` = default at 100%) plus an offset trimming (`LEDCURRCAL_CH1, 2.CALIBVAL_CH1, 2 = 0000B` = default in the middle of the range). Refer to [Chapter 8.1](#) for more details.

Regulator Description

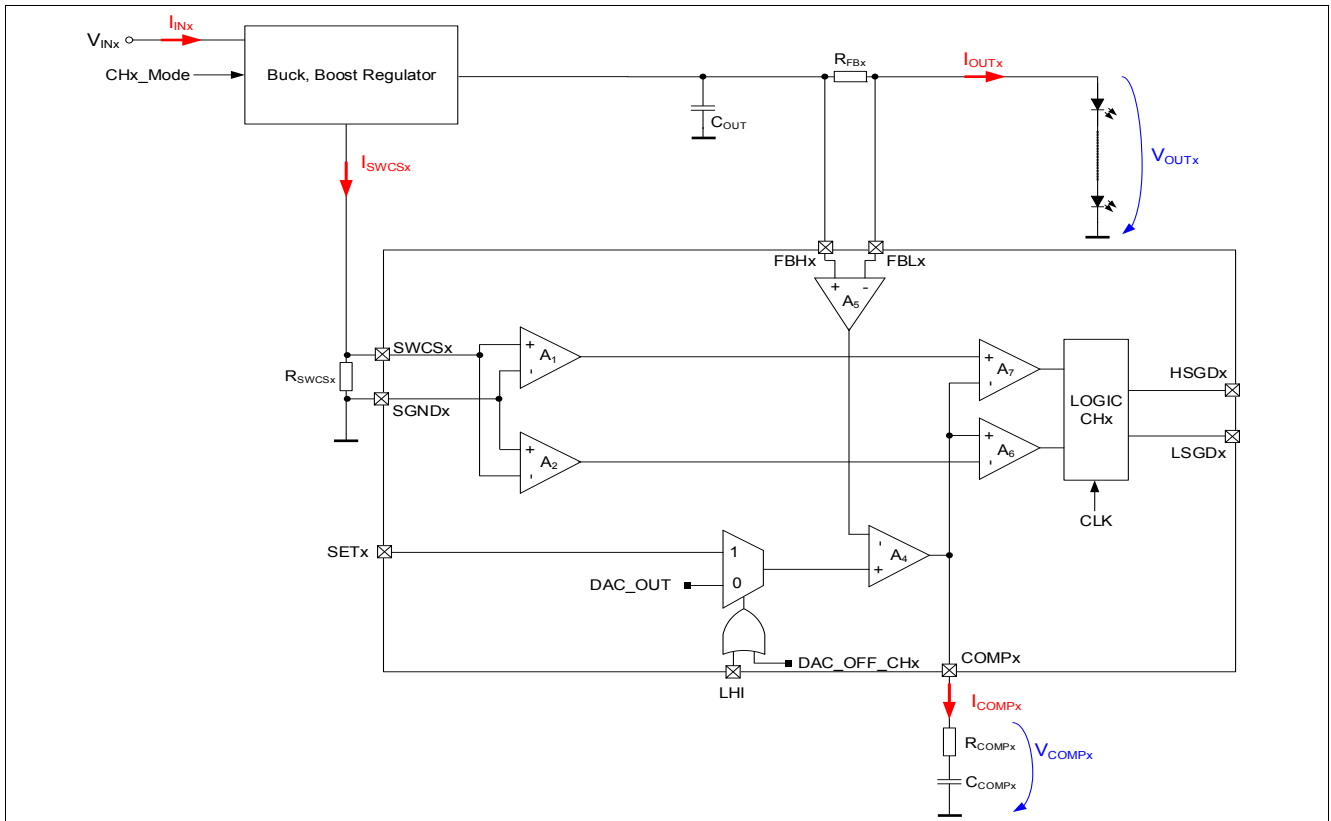


Figure 7 Regulator Block Diagram (similar for both Channels) - TLD5541-2QV

Regulator Description

6.2 Adjustable Soft Start Ramp

The soft start routine limits the current through the inductor and the external MOSFET switches during initialization to minimize potential overshoots at the output.

The soft start routine is applied:

- At first turn on (first PWM rise after EN = High)
- After Output Short to GND detection
- After channel stop via low analog dimming value (see [Chapter 8](#) for details)

The soft start rising edge gradually increases the current of the inductor (L_{OUT}) over $t_{SOFT_START1,2}$ by clamping the COMP1,2 voltage. The soft start ramp is defined by a capacitor placed at the SOFT_START1,2 pin.

Selection of the SOFT_START1,2 capacitor ($C_{SOFT_START1,2}$) can be done according to the approximate formula described in [Equation \(6.1\)](#):

$$t_{SOFT_START1,2} = \frac{0.9V}{I_{SOFT_START1,2(PU)}} \cdot C_{SOFT_START1,2} \tag{6.1}$$

The SOFT_START1,2 pins are also used to implement a fault mask and wait-before-retry time, on rising and falling edge respectively, see [Figure 8](#) and chapter [Chapter 10.2](#) for details.

If a short on the output is detected, a pull-down current source $I_{SOFT_START1,2_PD}$ (P_6.4.59) is activated. This current brings down the $V_{SOFT_START1,2}$ until $V_{SOFT_START1,2_RESET}$ (P_6.4.61) is reached, then the pull-up current source $I_{SOFT_START1,2_PU}$ (P_6.4.58) turns on again. If the fault condition hasn't been removed until $V_{SOFT_START1,2_LOFF}$ (P_6.4.60) is reached, the pull-down current source turns back on again, initiating a new cycle. This will continue until the fault is removed.

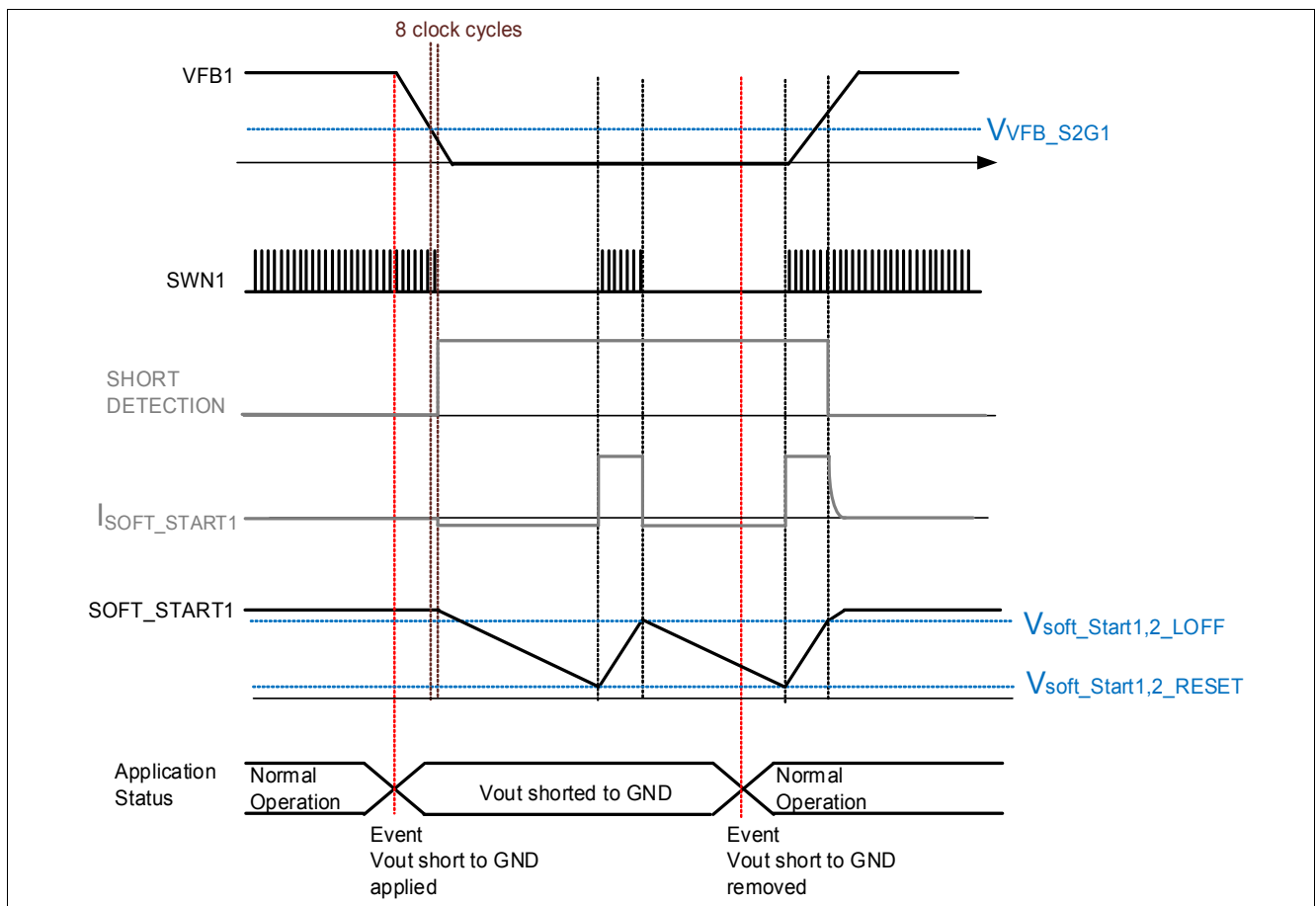


Figure 8 Soft Start timing diagram on a short to ground detected by the VFB1 pin

Regulator Description

6.3 Switching Frequency setup

The switching frequency can be set from 200 kHz to 700 kHz by an external resistor connected from the FREQ pin to GND or by supplying a sync signal as specified in chapter **Chapter 11.2**. Select the switching frequency with an external resistor according to the graph in **Figure 9** or the following approximate formulas.

$$f_{SW} [kHz] = 5375 * (R_{FREQ} [k\Omega])^{-0.8} \tag{6.2}$$

$$R_{FREQ} [k\Omega] = 46023 * (f_{SW} [kHz])^{-1.25} \tag{6.3}$$

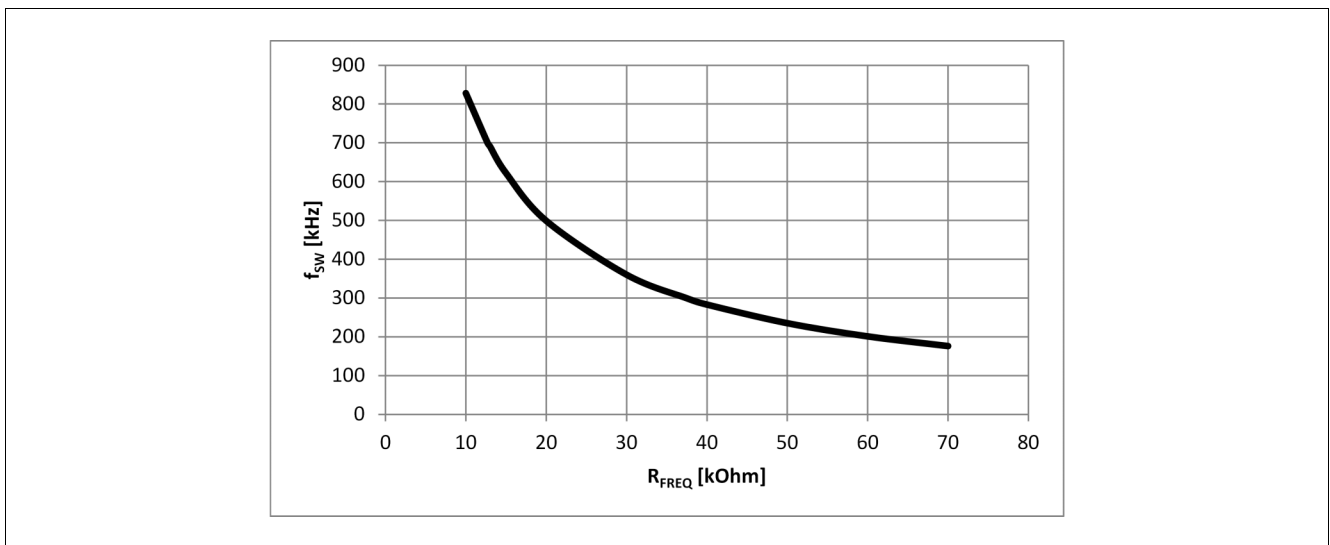


Figure 9 Switching Frequency f_{SW} versus Frequency Select Resistor to GND R_{FREQ}

6.4 Fast Output Discharge Operation Mode

During load changes in a multi-floating switches (MFS) application (series connection of LEDs with parallel short circuit switches for each LED) the voltage on the output capacitor (C_{OUT}) will create a current spike at the output. The fast output discharge feature limits the current spike during load jump events and prevents a damage to the LED chain connected at the output.

The TLD5541-2QV has a dedicated state machine which ensures a safe and fast dynamic load step transition in Multifloatswitch applications.

After a trigger command via SPI ($MFSSETUP1_CH1, 2.SOMFS_CH1, 2 = HIGH$), the TLD5541-2QV stops regulating the output current and enters a voltage regulation via VFB1,2 which actively “discharges” the output capacitor (C_{OUT}). The new output voltage target value is automatically calculated by the TLD5541-2QV, using the information of the new load connected to the output, sent by the μC via a 4Bit command ($MFSSETUP1_CH1, 2.LEDCHAIN_CH1, 2$).

An adjustable preparation time t_{prep} ($MFSSETUP2_CH1, 2.MFSDLY_CH1, 2$) is used to drive the load.

Calculation of preparation time t_{prep} :

The **Equation (6.4)** below describes the relationship between the switching frequency f_{SW} and the content of $MFSSETUP2_CH1, 2.MFSDLY_CH1, 2$ register.

$$t_{prep} = \frac{1}{f_{SW}} \cdot [2 + (MFSDLY_CH1, 2)_{dec}] \tag{6.4}$$

Regulator Description

6.5 Flexible current sense (Buck Only)

The flexible current sense implementation enables highside and lowside current sensing when the device operates in buck mode.

Due to the short circuit protection threshold V_{FBH_S2G} the low side sensing is not possible (and not recommended) in boost to ground applications.

The **Figure 10** displays the application examples for the highside and lowside current sense concept.

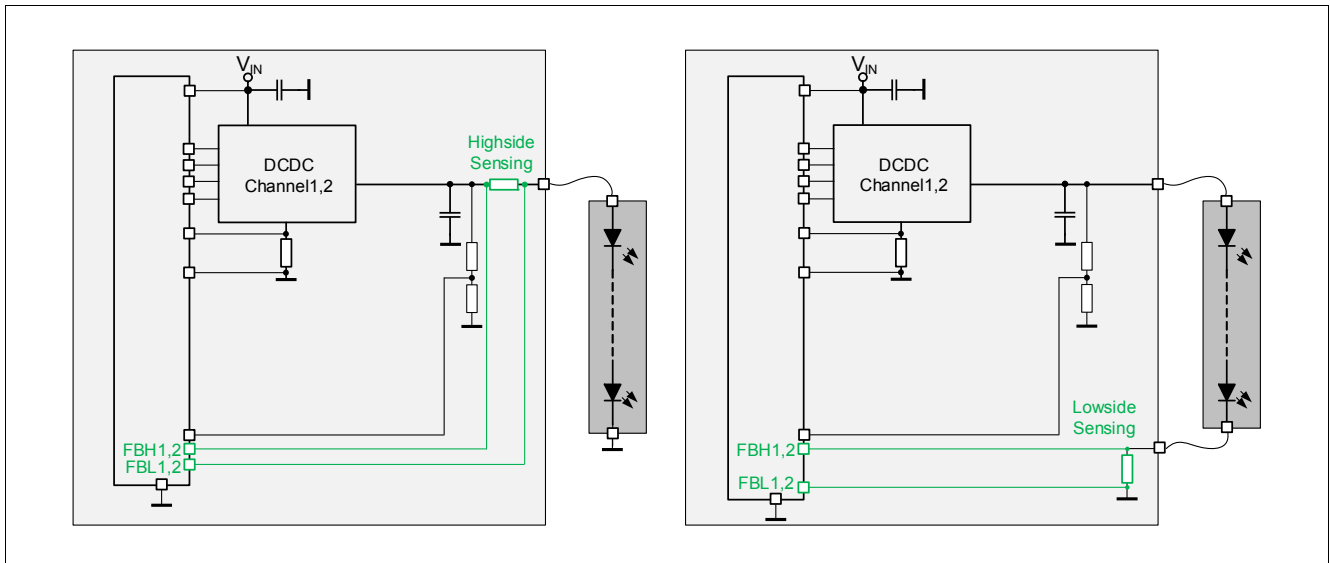


Figure 10 Highside and lowside current sensing - TLD5541-2QV

Regulator Description

6.6 Programming Output Voltage (Constant Voltage Regulation)

For a voltage regulator, the output voltage can be set by selecting the values R_{FBx1} , R_{FBx2} and R_{FBx3} according to the following **Equation (6.5)**:

$$V_{OUT1,2} = \left(I_{FBH1,2} + \frac{V_{FBH1,2} - V_{FBL1,2}}{R_{FB21,2}} \right) \cdot R_{FB1,2} + \left(\frac{V_{FBH1,2} - V_{FBL1,2}}{R_{FB21,2}} - I_{FBL1,2} \right) \cdot R_{FB31,2} + V_{FBH1,2} - V_{FBL1,2} \quad (6.5)$$

After the output voltage is fixed via the resistor divider, the value can be changed via the Analog Dimming bits ADIMVAL_CH1, 2.

If Analog dimming is performed, due to the variations on the I_{FBL} ($I_{FBL1,2_HSS}$ (P_6.4.52) and $I_{FBL1,2_LSS}$ (P_6.4.54)) current on the entire voltage spanning, a non linearity on the output voltage may be observed. To minimize this effect RFBx resistors should be properly dimensioned.

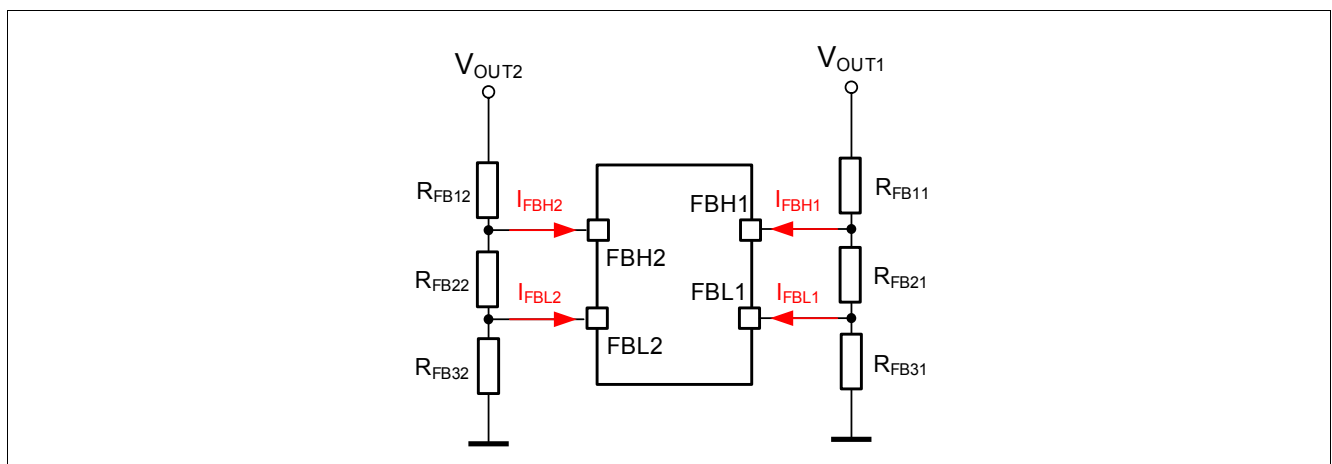


Figure 11 Programming Output Voltage (Constant Voltage Regulation)

Regulator Description

6.7 Topologies for Dual Channel SYNC

Each channel of the TLD5541-2QV can be used in BOOST and BUCK topologies. A voltage and current regulation can be configured. Furthermore a multiphase operation can be achieved via a parallel connection of the two outputs.

The **Figure 12** displays the supported DC/DC topologies per channel.

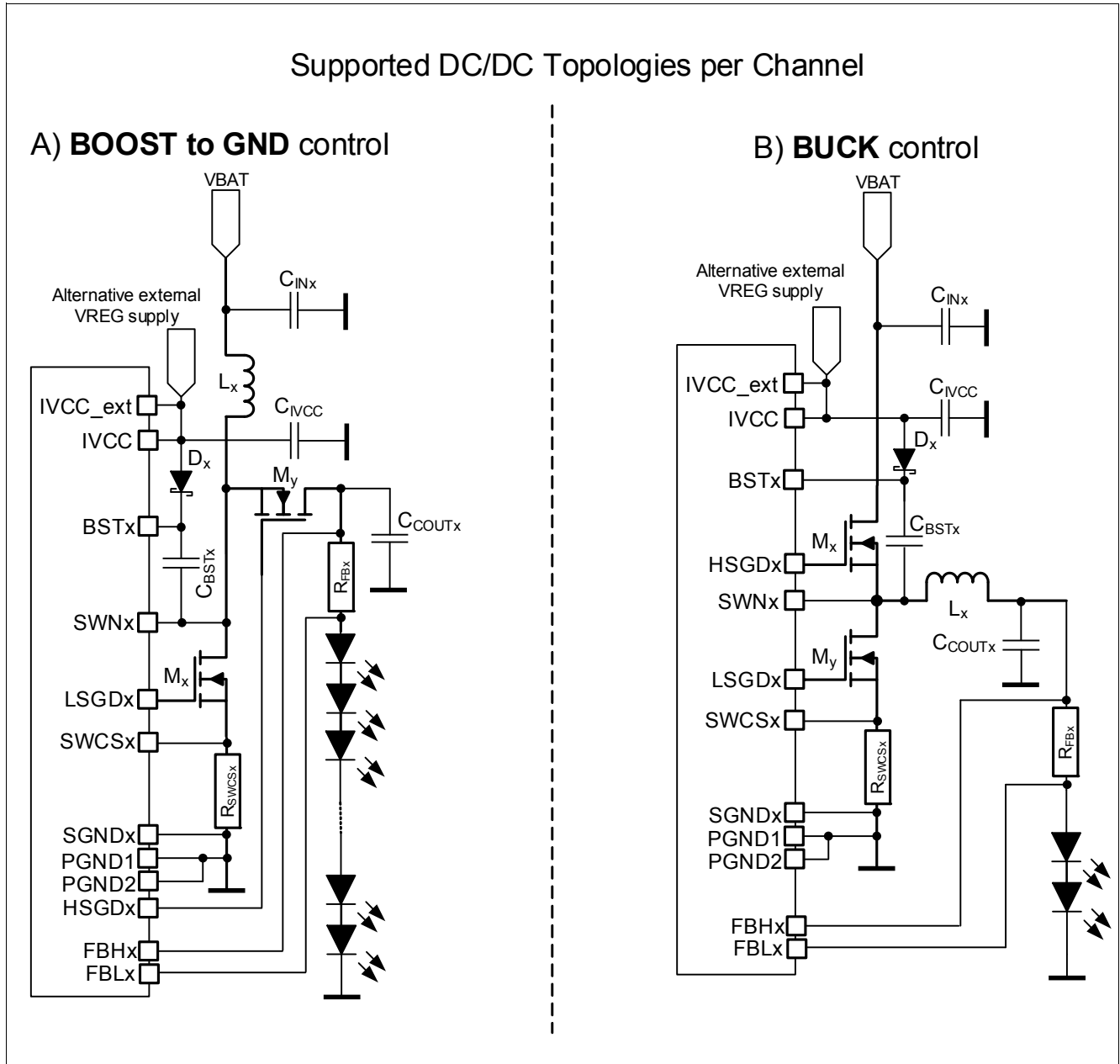


Figure 12 Supported DC/DC topologies per channel

Regulator Description

6.8 Electrical Characteristics

Table 6 EC Regulator

$V_{IN} = 8\text{ V to }36\text{ V}$, $T_J = -40^\circ\text{C to }+150^\circ\text{C}$, all voltages with respect to AGND (unless otherwise specified)

Parameter	Symbol	Values			Unit	Note or Test Condition	Number
		Min.	Typ.	Max.			
Regulator:							
$V_{(FBH1,2-FBL1,2)}$ thresholds	$V_{(FBH1,2-FBL1,2)}$	145.5	150	154.5	mV	ADIM.ADIMVAL_C H1, 2 = 11110000 _B ;	P_6.4.43
$V_{(FBH1,2-FBL1,2)}$ thresholds @ analog dimming 10%	$V_{(FBH1,2-FBL1,2)_10}$	12	15	18	mV	ADIM.ADIMVAL_C H1, 2 = 00011000 _B ; Calibration Procedure not performed	P_6.4.47
FBH1,2 Bias currents @ highside sensing setup	$I_{FBH1,2_HSS}$	65	100	156	μA	$V_{FBH1,2} = 7\text{ V}$; $V_{FBH1,2-FBL1,2} = 150\text{ mV}$;	P_6.4.51
FBL1,2 Bias currents @ highside sensing setup	$I_{FBL1,2_HSS}$	17	30	45	μA	$V_{FBH1,2} = 7\text{ V}$; $V_{FBH1,2-FBL1,2} = 150\text{ mV}$;	P_6.4.52
FBH1,2 Bias currents @ lowside sensing setup	$I_{FBH1,2_LSS}$	-7.5	-4	-2.5	μA	$V_{FBH1,2} = 0\text{ V}$; $V_{FBH1,2-FBL1,2} = 150\text{ mV}$;	P_6.4.53
FBL1,2 Bias currents @ lowside sensing setup	$I_{FBL1,2_LSS}$	-45	-30	-20	μA	$V_{FBH1,2} = 0\text{ V}$; $V_{FBH1,2-FBL1,2} = 150\text{ mV}$;	P_6.4.54
FBH-FBL High Side sensing entry threshold	$V_{FBH_HSS_in}$ _c	1.9	2	2.1	V	¹⁾ $V_{FBH1,2}$ increasing;	P_6.9.1
FBH-FBL High Side sensing exit threshold	$V_{FBH_HSS_d}$ _{ec}	1.65	1.75	1.85	V	¹⁾ $V_{FBH1,2}$ decreasing;	P_6.9.2
OUT Current sense Amplifier g_m	$IFBx_{gm}$	-	890	-	μS	¹⁾	P_6.4.10
Output Monitor Voltages	$V_{IOUTMON1,2}$	1.33	1.4	1.47	V	$V_{FBH1,2-FBL1,2} = 150\text{ mV}$;	P_6.5.1
Maximum BOOST Duty Cycle	D_{BOOST_MAX}	91	93	95	%	¹⁾ $f_{sw} = 300\text{ kHz}$;	P_6.8.1
Minimum BUCK Duty Cycle	D_{BUCK_MIN}	-	4	5.5	%	¹⁾ $f_{sw} = 300\text{ kHz}$;	P_6.8.2
Maximum BUCK Duty Cycle	D_{BUCK_MAX}	90.5	92	94	%	¹⁾ $f_{sw} = 300\text{ kHz}$;	P_6.5.2
Switch Peak Over Current Thresholds - BOOST	$V_{SWCS1,2_bo}$ _{ost}	40	50	60	mV	¹⁾	P_10.8.2 4
Switch Peak Over Current Thresholds - BUCK	$V_{SWCS1,2_bu}$ _{ck}	-60	-50	-40	mV	¹⁾	P_10.8.2 5

Soft Start

Regulator Description

Table 6 EC Regulator (cont'd)

$V_{IN} = 8\text{ V to }36\text{ V}$, $T_j = -40^\circ\text{C to }+150^\circ\text{C}$, all voltages with respect to AGND (unless otherwise specified)

Parameter	Symbol	Values			Unit	Note or Test Condition	Number
		Min.	Typ.	Max.			
Soft Start1,2 pull up currents	$I_{\text{Soft_Start1,2_PU}}$	21	27	34	μA	$V_{\text{Soft_Start1,2}} = 1\text{ V}$;	P_6.4.58
Soft Start1,2 pull down currents	$I_{\text{Soft_Start1,2_PD}}$	2.1	2.7	3.4	μA	$V_{\text{Soft_Start1,2}} = 1\text{ V}$;	P_6.4.59
Soft Start1,2 Latch-OFF Thresholds	$V_{\text{Soft_Start1,2_LOFF}}$	1.65	1.75	1.85	V	–	P_6.4.60
Soft Start1,2 Reset Thresholds	$V_{\text{Soft_Start1,2_RESET}}$	0.1	0.2	0.3	V	–	P_6.4.61
Soft Start1,2 Voltage during regulation	$V_{\text{Soft_Start_reg}}$	1.9	2	2.1	V	¹⁾ No Faults	P_6.9.3

Oscillator

Switching Frequency	f_{SW}	285	300	315	kHz	$T_j = 25^\circ\text{C}$; $R_{\text{FREQ}} = 37.4\text{ k}\Omega$; ENSPREAD = LOW	P_6.4.23
SYNC Frequency	f_{SYNC}	200	–	700	kHz	–	P_6.4.24
SYNC Turn On Threshold	$V_{\text{SYNC,ON}}$	2	–	–	V	–	P_6.4.25
SYNC Turn Off Threshold	$V_{\text{SYNC,OFF}}$	–	–	0.8	V	–	P_6.4.26
SYNC High Input Current	$I_{\text{SYNC,H}}$	15	30	45	μA	$V_{\text{SYNC}} = 2.0\text{ V}$;	P_6.4.62
SYNC Low Input Current	$I_{\text{SYNC,L}}$	6	12	18	μA	$V_{\text{SYNC}} = 0.8\text{ V}$;	P_6.4.63

Gate Driver for external Switch

Gate Driver undervoltage threshold $V_{\text{BST1,2-}}V_{\text{SWN1,2_UVth}}$	$V_{\text{BST1,2-}}V_{\text{SWN1,2_UVth}}$	3.4	–	4	V	$V_{\text{BST1,2}} - V_{\text{SWN1,2}}$ decreasing;	P_6.4.64
HSGD1,2 NMOS driver on-state resistance (Gate Pull Up)	$R_{\text{DS(ON_PU)HS}}$	1.4	2.3	3.7	Ω	$V_{\text{BST1,2}} - V_{\text{SWN1,2}} = 5\text{ V}$; $I_{\text{source}} = 100\text{ mA}$;	P_6.4.28
HSGD1,2 NMOS driver on-state resistance (Gate Pull Down)	$R_{\text{DS(ON_PD)HS}}$	0.6	1.2	2.2	Ω	$V_{\text{BST1,2}} - V_{\text{SWN1,2}} = 5\text{ V}$; $I_{\text{sink}} = 100\text{ mA}$;	P_6.4.29
LSGD1,2 NMOS driver on-state resistance (Gate Pull Up)	$R_{\text{DS(ON_PU)LS}}$	1.4	2.3	3.7	Ω	$V_{\text{IVCC_EXT}} = 5\text{ V}$; $I_{\text{source}} = 100\text{ mA}$;	P_6.4.30
LSGD1,2 NMOS driver on-state resistance (Gate Pull Down)	$R_{\text{DS(ON_PD)LS}}$	0.4	1.2	1.8	Ω	$V_{\text{IVCC_EXT}} = 5\text{ V}$; $I_{\text{sink}} = 100\text{ mA}$;	P_6.4.31
HSGD1,2 Gate Driver peak sourcing current	$I_{\text{HSGD1,2_SRC}}$	380	–	–	mA	¹⁾ $V_{\text{HSGD1,2}} - V_{\text{SWN1,2}} = 1\text{ V to }4\text{ V}$; $V_{\text{BST1,2}} - V_{\text{SWN1,2}} = 5\text{ V}$	P_6.4.32

Regulator Description

Table 6 EC Regulator (cont'd)

$V_{IN} = 8\text{ V to }36\text{ V}$, $T_J = -40^\circ\text{C to }+150^\circ\text{C}$, all voltages with respect to AGND (unless otherwise specified)

Parameter	Symbol	Values			Unit	Note or Test Condition	Number
		Min.	Typ.	Max.			
HSGD1,2 Gate Driver peak sinking current	$I_{\text{HSGD1,2_SNK}}$	410	–	–	mA	¹⁾ $V_{\text{HSGD1,2}} - V_{\text{SWN1,2}} = 4\text{ V to }1\text{ V};$ $V_{\text{BST1,2}} - V_{\text{SWN1,2}} = 5\text{ V}$	P_6.4.33
LSGD1,2 Gate Driver peak sourcing current	$I_{\text{LSGD1,2_SRC}}$	370	–	–	mA	¹⁾ $V_{\text{LSGD1,2}} = 1\text{ V to }4\text{ V};$ $V_{\text{IVCC_EXT}} = 5\text{ V};$	P_6.4.34
LSGD1,2 Gate Driver peak sinking current	$I_{\text{LSGD1,2_SNK}}$	550	–	–	mA	¹⁾ $V_{\text{LSGD1,2}} = 4\text{ V to }1\text{ V};$ $V_{\text{IVCC_EXT}} = 5\text{ V};$	P_6.4.35
LSGD1,2 OFF to HSGD ON delay	$t_{\text{LSOFF-HSON_delay}}$	15	30	40	ns	¹⁾	P_6.4.36
HSGD1,2 OFF to LSGD ON delay	$t_{\text{HSOFF-LSON_delay}}$	35	65	95	ns	¹⁾	P_6.4.37

MODE Pins characteristics

MODE1,2 LOW level	$V_{\text{MODE1,2(L)}}$	0	–	0.8	V	–	P_6.7.1
MODE1,2 HIGH level	$V_{\text{MODE1,2(H)}}$	2.0	–	5.5	V	–	P_6.7.2
MODE1,2 L-Input pull-down current	$I_{\text{MODE1,2(L)}}$	6	12	18	μA	$V_{\text{MODE1}} = 0.8\text{ V};$	P_6.7.3
MODE1,2 H-Input pull-down current	$I_{\text{MODE1,2(H)}}$	15	30	45	μA	$V_{\text{MODE1}} = 2.0\text{ V};$	P_6.7.4

¹⁾ Not subject to production test, specified by design

Digital Dimming Function

7 Digital Dimming Function

PWM dimming is adopted to vary LEDs brightness with greatly reduced chromaticity shift. PWM dimming achieves brightness reduction by varying the duty cycle of a constant current in the LED string.

7.1 Description

A PWM signal can be transmitted to the TLD5541-2QV in two manners, as described below.

An HIGH PWM value, communicated in either of the two ways, always overrides a possible LOW from the other with a resulting enable of the gate drivers.

In boost mode, if the CURRMON_CH1,2.IOUTMON_CH1,2 bit is set to LOW, the PWM activity is mirrored to IOUTMON1,2/SH2GND1,2 pin providing enhanced PWM performances when used in combination with external circuitry. Refer to [Figure 23](#).

PWM via direct interface

The PWM1,2 pin can be fed with a pulse width modulated (PWM) signals, this enables when HIGH and disables when LOW the gate drivers of the main switches.

PWM via SPI

A pulse width modulated (PWM) signal can be sent via SPI interface by changing the value of the LOOPCTRL_CH1,2.PWM_1,2 bit.

LOOPCTRL_CH1,2.PWM_1,2=HIGH/LOW respectively enables/disables the gate drivers of the main switches.

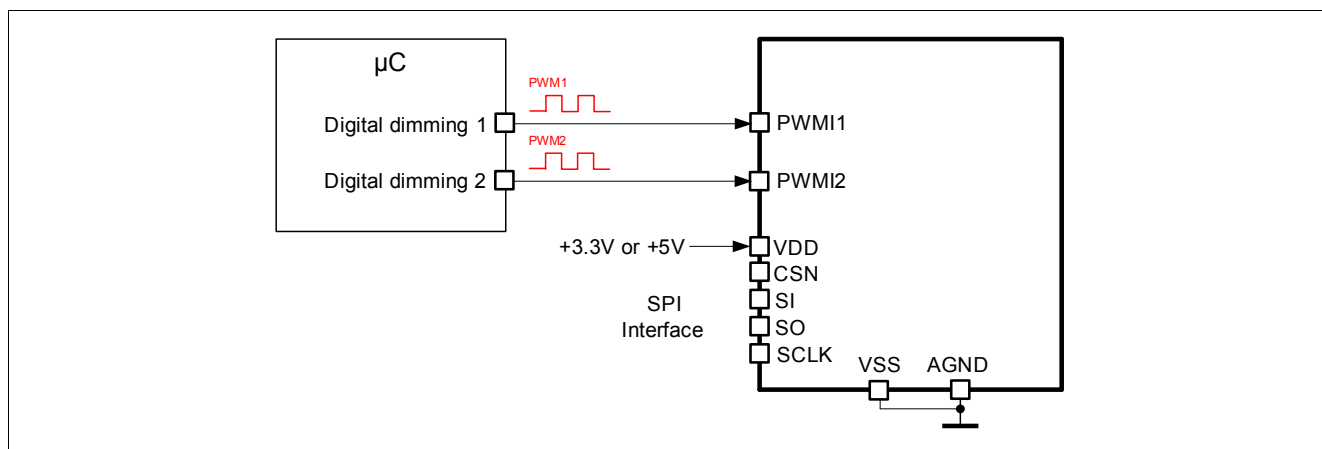


Figure 13 Digital Dimming Overview

To avoid unwanted output overshoots due to not soft start assisted startups, PWM dimming in LOW state should not be used to suspend the output current for long time intervals. To stop a single channel in a safe manner see [Chapter 6.2](#); to stop both channels even DVCCTRL.IDLE=HIGH or EN/INUVLO=LOW can be used.

Digital Dimming Function

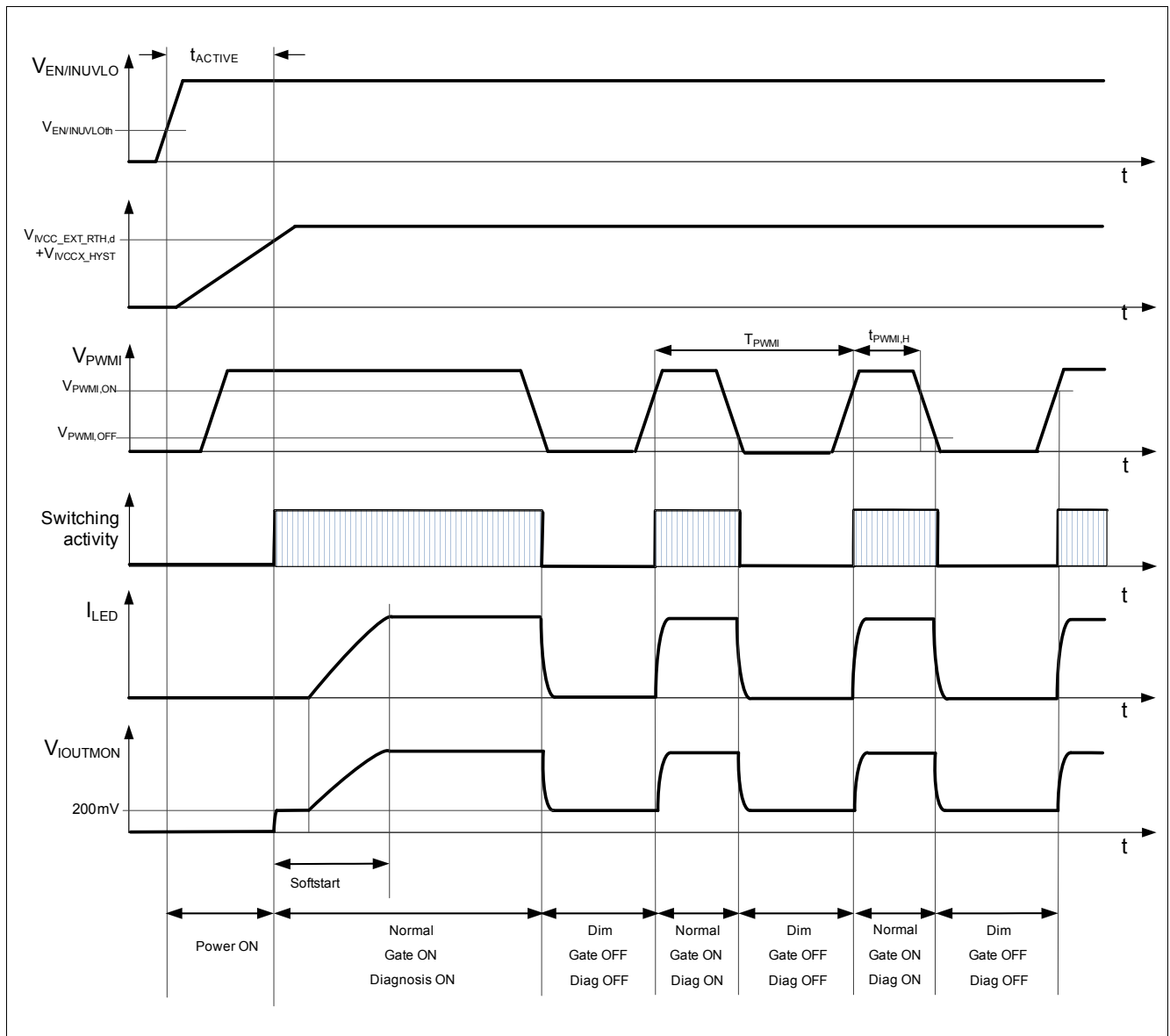


Figure 14 Timing Diagram LED Dimming and Start up behavior example (V_{VDD} and V_{VIN} stable in the functional range and not during startup)

Digital Dimming Function

7.2 Electrical Characteristics

Table 7 EC Digital Dimming

$V_{IN} = 8\text{ V to }36\text{ V}$, $T_J = -40^\circ\text{C to }+150^\circ\text{C}$, all voltages with respect to AGND; (unless otherwise specified)

Parameter	Symbol	Values			Unit	Note or Test Condition	Number
		Min.	Typ.	Max.			
PWMI Input:							
PWMI1,2 Turn On Thresholds	$V_{PWMI1,2,ON}$	2	–	–	V	–	P_7.2.6
PWMI1,2 Turn Off Thresholds	$V_{PWMI1,2,OFF}$	–	–	0.8	V	–	P_7.2.7
PWMI1,2 High Input Currents	$I_{PWMI1,2,H}$	15	30	45	μA	$V_{PWMI1,2} = 2.0\text{ V};$	P_7.2.9
PWMI1,2 Low Input Currents	$I_{PWMI1,2,L}$	6	12	18	μA	$V_{PWMI1,2} = 0.8\text{ V};$	P_7.2.10

Analog Dimming

8 Analog Dimming

The analog dimming feature allows further control of the output current. This approach is used to:

- Reduce the default current in a narrow range to adjust to different binning classes of the used LEDs.
- Adjust the load current to enable the usage of one hardware for several LED types where different current levels are required.
- Reduce the current at high temperatures (protect LEDs from overtemperature).
- Reduce the current at low input voltages (for example, cranking-pulse breakdown of the supply or power derating).

8.1 Description

The analog dimming feature is adjusting the average load current level via the control of the feedback error Amplifier voltage ($V_{FBH1,2-FBL1,2}$).

The `LEDCURRCAL_CH1,2.DAC_OFF_CH1,2` bit-field is used to switch the error amplifier reference from the internal DAC circuitry to the SET1,2 pin during the active state (refer to [Figure 7](#)). This provides customers higher dimming resolution via the μ C and the SET1,2 pin (refer to picture 1 displayed in [Figure 18](#)).

When `LEDCURRCAL_CH1,2.DAC_OFF_CH1,2 = LOW`, the current adjustment is done via a 8BIT SPI parameter (`LEDCURRADIM_CH1,2.ADIMVAL_CH1,2`). Refer to [Figure 15](#).

If `LEDCURRADIM_CH1,2.ADIMVAL_CH1,2` is set to `00000000B` the channel stops the switching activity and will restart with a soft start routine as soon as a different value is programmed.

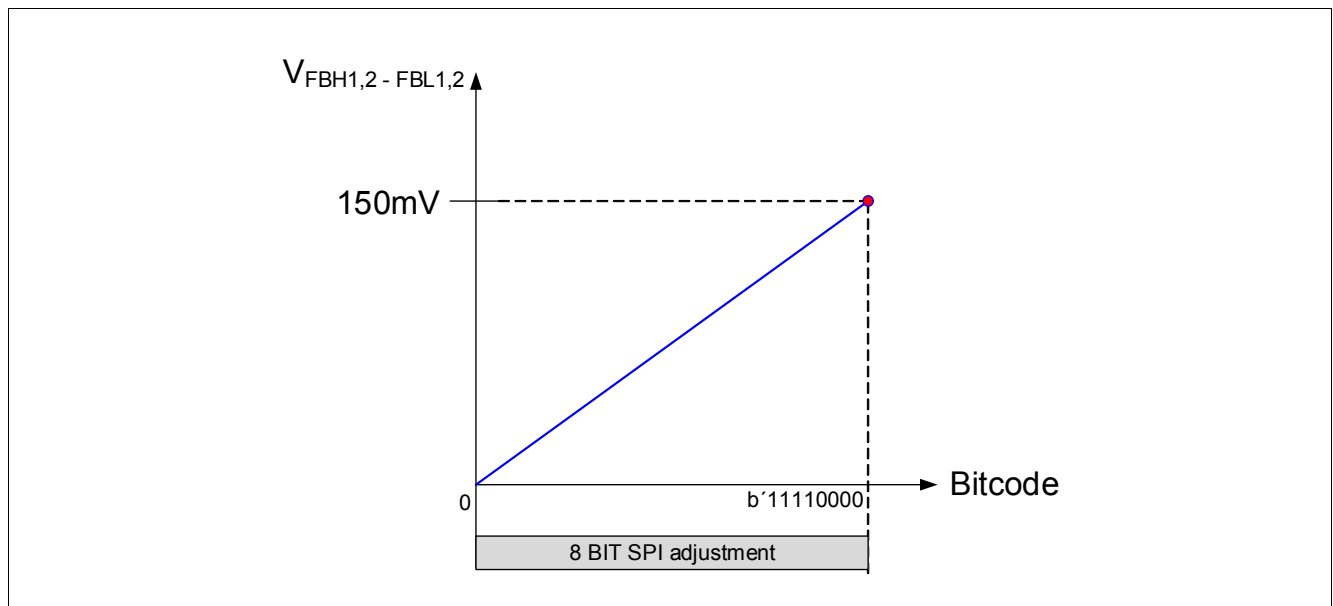


Figure 15 Analog Dimming Overview

Analog dimming adjustment during Limp Home state:

To enter in Limp Home state the LHI pin must be HIGH.

Note: If the PWM1,2 and the EN/INUVLO are not set to HIGH, it is not possible to enable switching during Limp Home state.

In Limp Home state the analog dimming control is done via the SET1,2 pins. A Resistor divider between IVCC/IVCC_EXT, SET1,2 and GND is used to fix a default load current/voltage value (refer to [Figure 16](#) below).

Analog Dimming

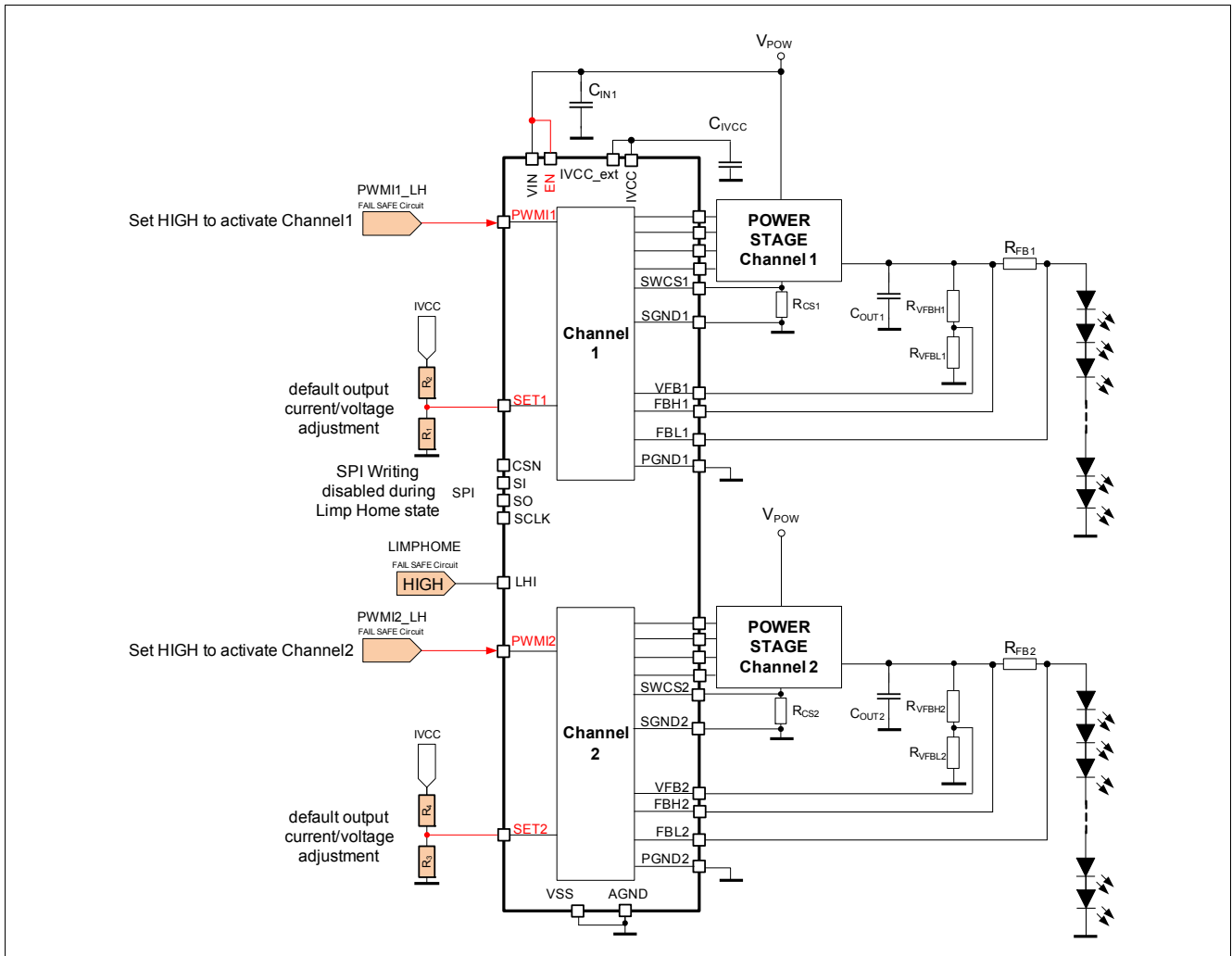


Figure 16 Limp Home state schematic overview

Using the SET1,2 pins to adjust the output currents:

For the calculation of the output current I_{OUT} the following Equation (8.1) is used:

$$I_{OUT\ 1,2} = \frac{V_{FBH\ 1,2} - V_{FBL\ 1,2}}{R_{FB\ 1,2}} \quad (8.1)$$

A decrease of the average output current can be achieved by controlling the voltage at the SET1,2 pin ($V_{SET1,2}$) between 0.2 V and 1.4 V. The mathematical relation is given in the Equation (8.2) below:

$$I_{OUT\ 1,2} = \frac{V_{SET\ 1,2} - 200\ mV}{R_{FB\ 1,2} \cdot 8} \quad (8.2)$$

If $V_{SET1,2}$ is 200 mV (typ.) the LED current is only determined by the internal offset voltages of the comparators. To assure the switching activity is stopped and $I_{OUT} = 0$, $V_{SET1,2}$ has to be < 100 mV, see Figure 17. The channel is then ready to restart with the soft start routine when VSET1,2 is pulled above 200 mV.

Analog Dimming

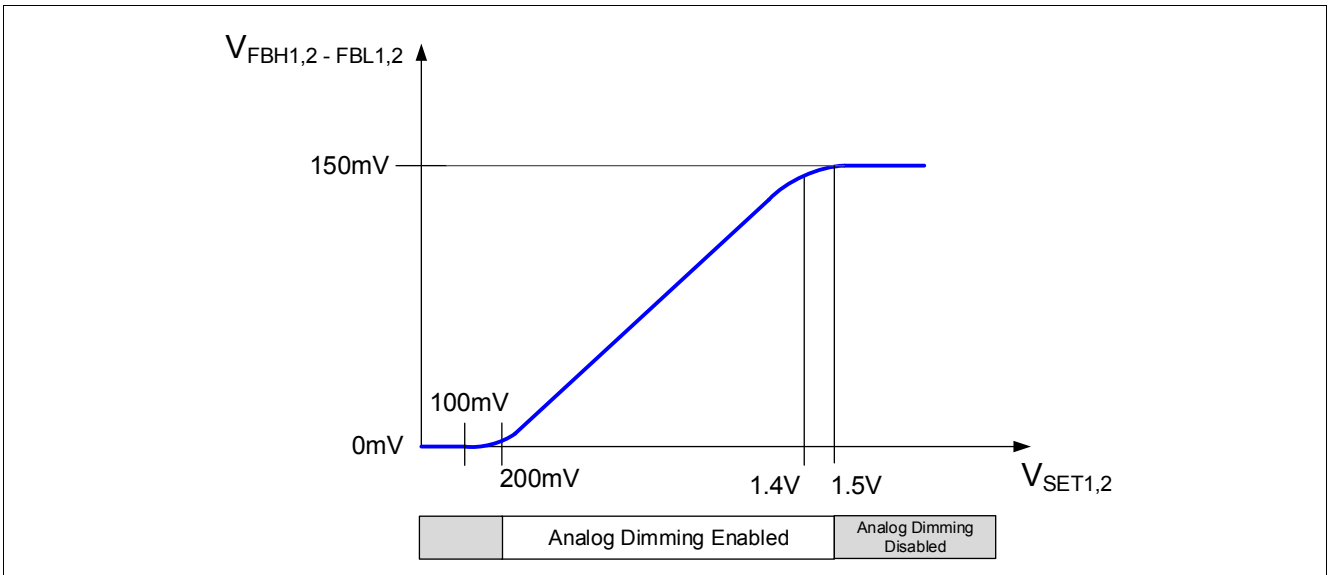


Figure 17 Analog Dimming Overview

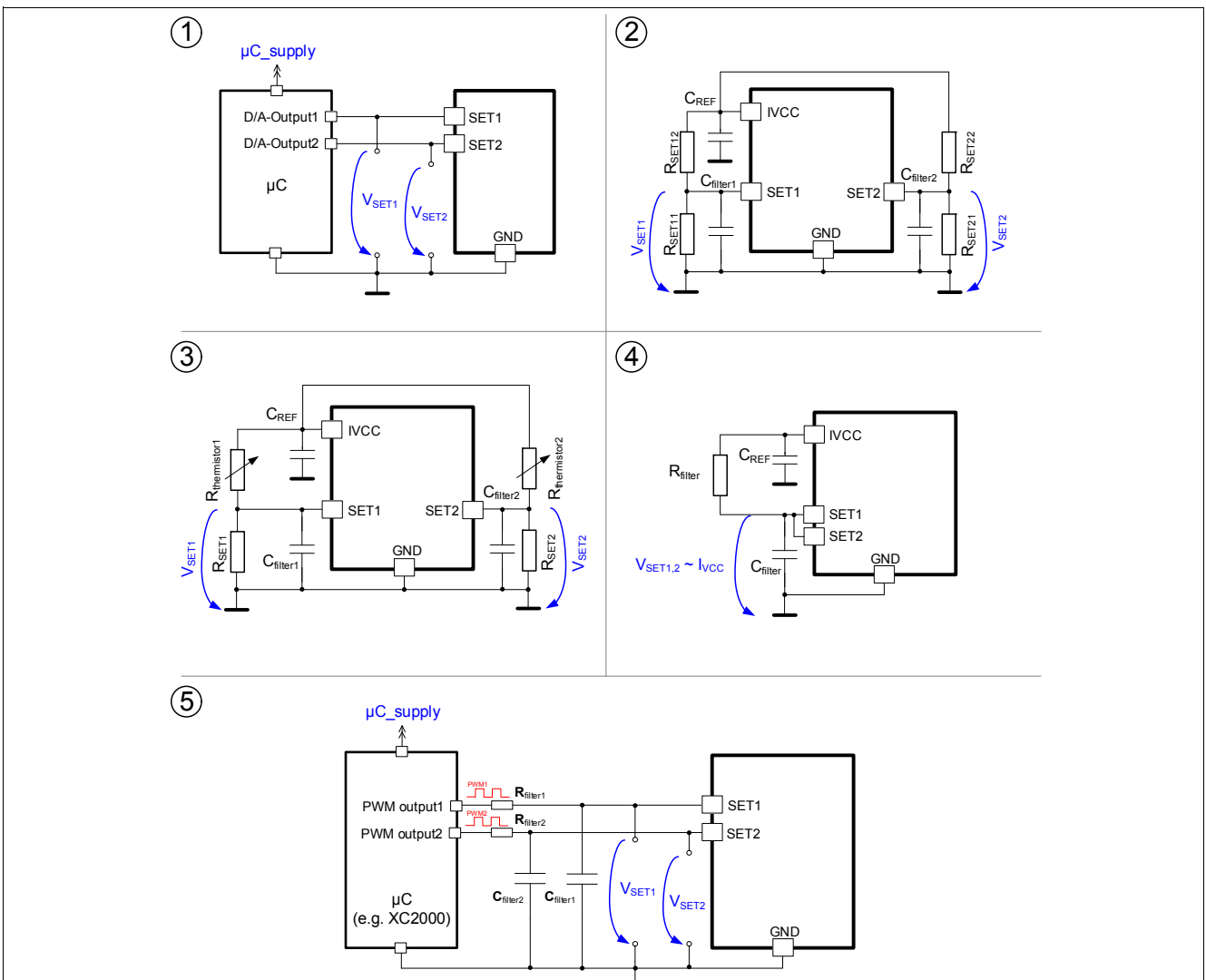


Figure 18 Different use cases for analog dimming pin SET1,2

Analog Dimming

8.2 LED current calibration procedure

The LED current calibration procedure improves the accuracy during analog dimming. In order to be most effective, this routine has to be performed in the application, when the TLD5541-2QV temperature and the output voltage are the ones in which the driver has to be accurate. The output current must be 0 during the procedure run. The optimum should be to re-calibrate the output periodically every time the application has PWM1,2=LOW for a sufficient long time .

Current calibration procedure:

- Power the Load with a low analog dimming value (for example 10%)
- Set PWM1,2 = LOW and disconnect the Load at the same time (to avoid Vout drifts from operating conditions and bring the output current to 0)
- Quickly (to avoid Vout drifts) μC enables the calibration routine: LOOPCTRL_CH1,2 . ENCAL_CH1,2 = HIGH
- Quickly (to avoid Vout drifts) μC starts the calibration: LEDCURRCAL_CH1,2 .SOCAL_CH1,2 = HIGH
- Waiting time (needed to internally perform the calibration routine) \rightarrow aprox. 200 μs
- TLD5541-2QV will set the FLAG: LEDCURRCAL_CH1,2 .EOCAL_CH1,2 = HIGH, when calibration routine has finished
- Reconnect the load
- The Output current is automatically adjusted to a low offset and more accurate analog dimming value

Once the Calibration routine is correctly performed, the output current accuracy with analog dimming = 10% (LEDCURRADIM_CH1,2 .ADIMVAL_CH1,2 = 24) is 10%.

The Calibration routine is not affecting the accuracy at 100% analog dimming.

The ENCAL_CH1,2 Bits affect both device operation and CALIBVAL_CH1,2 reading result:

- ENCAL_CH1,2 = HIGH: the calibration result coming from the routine is used by internal circuitry and can be read back from CALIBVAL_CH1,2
- ENCAL_CH1,2 = LOW: SPI value written in CALIBVAL_CH1,2 is used by internal circuitry and can be read back; calibration routine start is inhibited

As a result, μC can use a stored result from a previously performed calibration to directly impose the desired value without waiting for a new routine to finish.

8.3 Electrical Characteristics

Table 8 EC Analog Dimming

$V_{\text{IN}} = 8 \text{ V to } 36 \text{ V}$, $T_{\text{J}} = -40^{\circ}\text{C to } +150^{\circ}\text{C}$, all voltages with respect to AGND; (unless otherwise specified)

Parameter	Symbol	Values			Unit	Note or Test Condition	Number
		Min.	Typ.	Max.			
Source currents on SET1,2 Pin	$I_{\text{SET1,2_source}}$	–	–	1	μA	¹⁾ $V_{\text{SET1,2}} = 0.2 \text{ V to } 1.4 \text{ V};$	P_8.3.5

1) Specified by design: not subject to production test.

9 Linear Regulator

The TLD5541-2QV features an integrated voltage regulator for the supply of the internal gate driver stages. Furthermore an external voltage regulator can be connected to the IVCC_EXT pin to achieve an alternative gate driver supply if required.

9.1 IVCC Description

When the IVCC pin is connected to the IVCC_EXT pin, the internal linear voltage regulator supplies the internal gate drivers with a typical voltage of 5 V and current up to I_{LIM} (P_9.2.2). An external output capacitor with low ESR is required on pin IVCC for stability and buffering transient load currents. During normal operation the external MOSFET switches will draw transient currents from the linear regulator and its output capacitor (Figure 19, drawing A). Proper sizing of the output capacitor must be considered to supply sufficient peak current to the gate of the external MOSFET switches. A minimum capacitance value is given in parameter C_{IVCC} (P_9.2.4).

Alternative IVCC_EXT Supply Concept:

The IVCC_EXT pin can be used for an external voltage supply to alternatively supply the MOSFET Gate drivers. This concept is beneficial in the high input voltage range to avoid power losses in the IC (Figure 19, drawing B).

Integrated undervoltage protection for the external switching MOSFET:

An integrated undervoltage reset threshold circuit monitors the linear regulator output voltage. This undervoltage reset threshold circuit will turn OFF the gate drivers in case the IVCC or IVCC_EXT voltage falls below their undervoltage Reset switch OFF Thresholds $V_{IVCC_RTH,d}$ (P_9.2.9) and $V_{IVCC_EXT_RTH,d}$ (P_9.2.5).

In Limp Home state the Undervoltage Reset switch OFF threshold for the IVCC has no impact on the switching activity.

The Undervoltage Reset threshold for the IVCC and the IVCC_EXT pins help to protect the external switches from excessive power dissipation by ensuring the gate drive voltage is sufficient to enhance the gate of the external logic level N-channel MOSFETs.

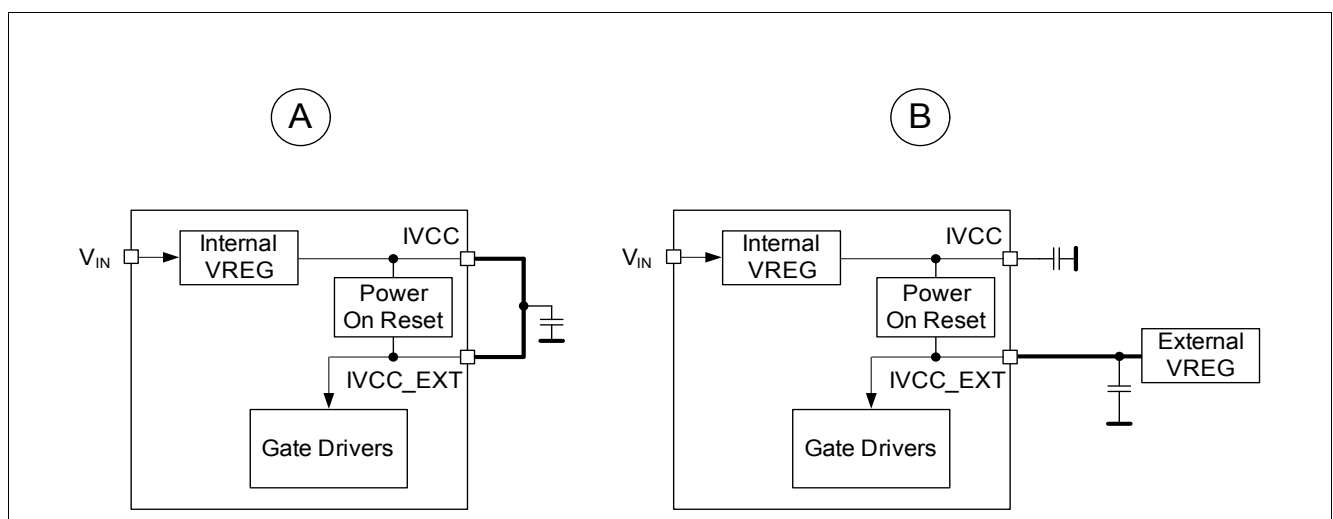


Figure 19 Voltage Regulator Configurations

Linear Regulator

9.2 Electrical Characteristics

Table 9 EC Line Regulator

$V_{IN} = 8\text{ V to }36\text{ V}$, $T_J = -40^\circ\text{C to }+150^\circ\text{C}$, all voltages with respect to AGND; (unless otherwise specified)

Parameter	Symbol	Values			Unit	Note or Test Condition	Number
		Min.	Typ.	Max.			
IVCC							
Output Voltage	V_{IVCC}	4.8	5	5.2	V	$V_{IN} = 13.5\text{ V};$ $0.1\text{ mA} \leq I_{IVCC} \leq 50\text{ mA};$	P_9.2.1
Output Current Limitation	I_{LIM}	70	90	110	mA	¹⁾ $V_{IVCC} = 4\text{ V};$	P_9.2.2
Drop out Voltage ($V_{IN} - V_{IVCC}$)	V_{DR}	–	200	350	mV	$V_{IN} = 5\text{ V};$ $I_{IVCC} = 10\text{ mA};$	P_9.2.3
IVCC Buffer Capacitor	C_{IVCC}	10	–	–	μF	¹⁾ ²⁾	P_9.2.4
IVCC_EXT Undervoltage Reset switch OFF Threshold	$V_{IVCC_EXT_R_{TH,d}}$	3.7	3.9	4.1	V	³⁾ V_{IVCC_EXT} decreasing;	P_9.2.5
IVCC Undervoltage Reset switch OFF Threshold	$V_{IVCC_RTH,d}$	3.7	3.9	4.1	V	³⁾ V_{IVCC} decreasing;	P_9.2.9
IVCC and IVCC_EXT Undervoltage Hysterisis	V_{IVCCX_HYST}	0.335	0.365	0.395	V	V_{IVCC} increasing; V_{IVCC_EXT} increasing;	P_9.2.6

- 1) Not subject to production test, specified by design
- 2) Minimum value given is needed for regulator stability; application might need higher capacitance than the minimum. Use capacitors with LOW ESR.
- 3) Selection of external switching MOSFET is crucial. $V_{IVCC_EXT_RTH,d}$ and $V_{IVCC_RTH,d}$ min. as worst case V_{GS} must be considered.

10 Protection and Diagnostic Functions

10.1 Description

The TLD5541-2QV has integrated circuits to diagnose and protect against overcurrent, overvoltage, open load, short circuits of the load and overtemperature faults. Furthermore, the device provides a 2 Bit information of $I_{LED1,2}$ by the SPI to the μC .

In IDLE state, only the Over temperature Shut Down, Over Temperature Warning, IVCC or IVCC_EXT Undervoltage Monitor, V_{DD} or $V_{EN/INUVLO}$ Undervoltage Monitor are reported according to specifications.

The IOUTMON1,2/SH2GND1,2 pin is a double function pin and its function can be programmed via MODE1,2 pin and the SPI (CURRMON_CH1, 2 . IOUTMON_CH1, 2).

If MODE1,2=LOW (Buck mode) IOUTMON1,2/SH2GND1,2 pin acts as an output current feedback pin, independently from the SPI register's status.

If MODE1,2=HIGH (Boost mode) the pin functionality depends from SPI register's status: if the IOUTMON_CH1, 2 bit is set to LOW, the pin delivers a mirror of the PWM activity and a flag information about output short to ground detection (SH2GND). If the IOUTMON_CH1, 2 is set to HIGH, the output current feedback functionality is set.

Note: Limp Home status activation resets the SPI registers included CURRMON_CH1,2.IOUTMON_CH1,2.

In **Figure 20** a summary of the protection, diagnostic and monitor functions is displayed.

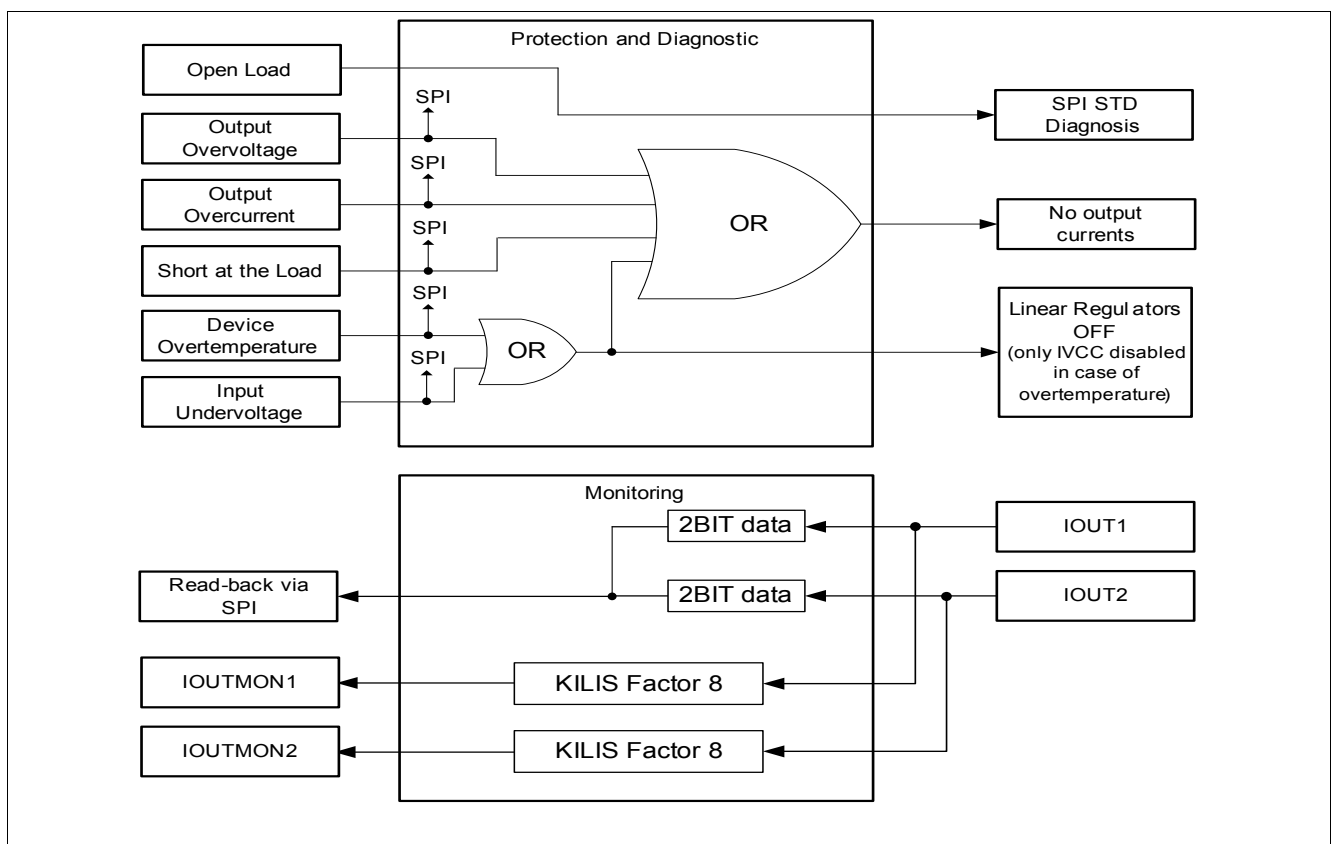


Figure 20 Protection, Diagnostic and Monitoring Overview

Note: A device Overtemperature event overrules all other fault events!

Protection and Diagnostic Functions

10.2 Output Overvoltage, Overcurrent, Open Load, Short circuit protection

The VFB pin measures the voltage on the application output and in accordance with the populated resistor divider, short to ground, open load and output overvoltage thresholds are set. Refer to [Figure 22](#) and [Figure 21](#) for more details.

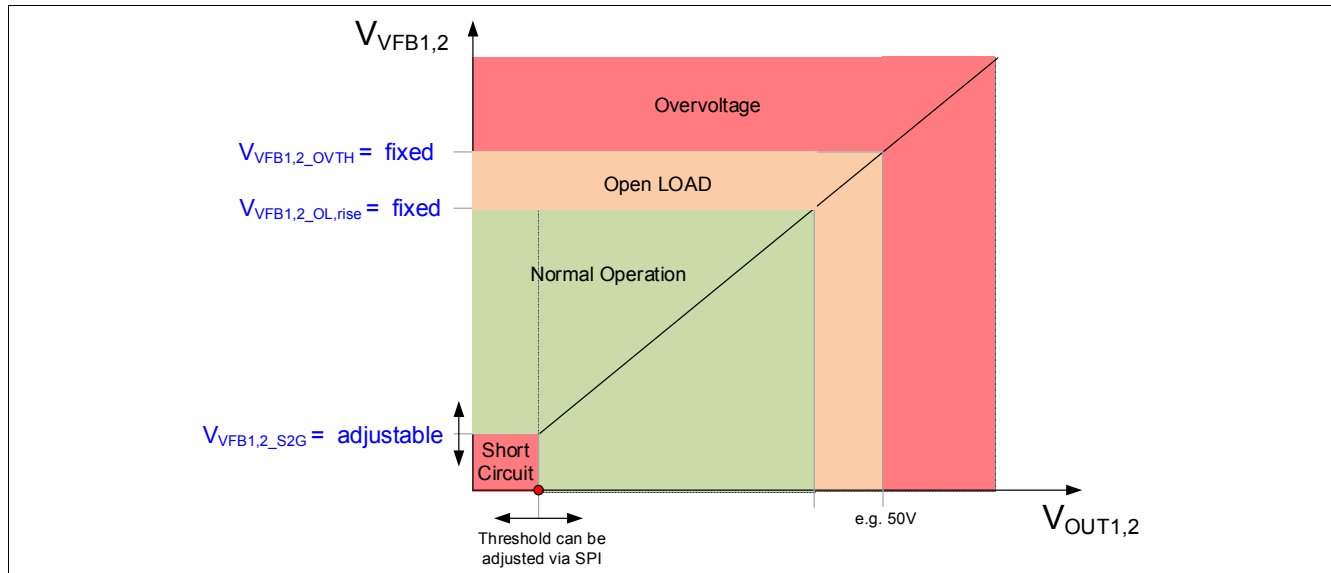


Figure 21 Definition of Protection Ranges

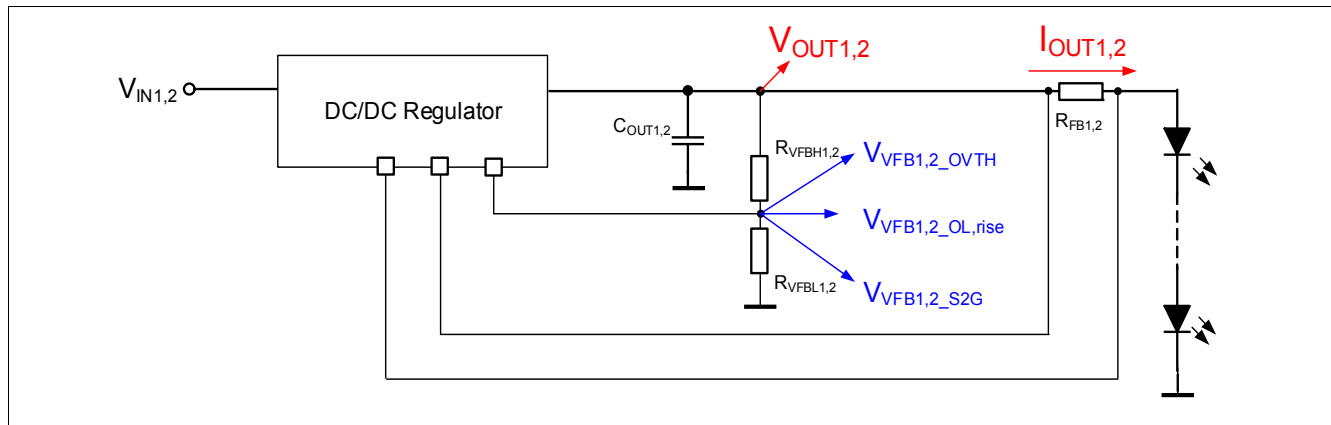


Figure 22 VFB Protection Pin - Overview

10.2.1 Short Circuit protection

The device detects a short circuit at the output if at least one of the 3 conditions is verified:

- The pin VFB1,2 falls below the threshold voltage $V_{VFB1,2_S2G}$ for at least 8 clock cycles
- In boost mode, if $V_{(FBH1,2-FBL1,2)} > V_{FBH_FBL_S2G}$ for at least 2 clock cycles (in CC, detects overcurrent on load)
- In boost mode, if $V_{FBH1,2} < V_{FBH_S2G}$ for at least 2 clock cycles

During the rising edge of the Soft Start the short circuit detection via VFB1,2 is ignored until $V_{SOFT_START1,2_LOFF}$ (see [Figure 8](#)).

Due to the last listed short circuit condition, on a boost topology, low side sensing is not allowed.

After a short circuit detection, the SPI flag (SHRTLED_CH1, 2) in the FAULTS_CH1, 2 register is set to HIGH and the gate drivers stop delivering output current. The Device will auto restart with the soft start routine described in [Chapter 6.2](#).

Protection and Diagnostic Functions

Voltage dividers between $V_{OUT1,2}$, VFB1,2 pins and AGND are used to adjust the application short circuit thresholds $V_{short_led1,2}$ following **Equation (10.1)**.

$$V_{short_led1,2} = V_{VFB1,2_S2G} \cdot \frac{R_{VFBH1,2} + R_{VFBL1,2}}{R_{VFBL1,2}} \quad (10.1)$$

The short circuit threshold voltage $V_{VFB1,2_S2G}$ (P_10.8.17) is set by 4-Bits in the SPI register MFSSETUP1_CH1, 2.LEDCHAIN_CH1, 2 as shown in **Table 10**.

The configurable short circuit threshold is especially useful in 2 types of applications:

1) Multifloat switch applications:

Multifloat switch applications are applications with a series connection of LEDs and parallel transistors to switch ON and OFF single (or multiple) LEDs in a string. The built in feature “fast output discharge operation mode” enables such applications but the short circuit threshold has to be adjusted in accordance to the LED changes. This synchronization is needed to avoid wrong short circuit detection during load step variations.

For this reason the register MFSSETUP1_CH1, 2.LEDCHAIN_CH1, 2 selects the short circuit threshold register but is also related to the “fast dynamic behavior feature”. For more Info on the “fast output discharge operation mode” please refer to **Chapter 6.4**.

2) Standard applications which require a large output voltage range:

The adjustable short circuit threshold $V_{VFB1,2_S2G}$ enables applications with a large V_{OUT} operation range.

The MFSSETUP_CH1,2.LEDCHAIN_CH1,2 register allows configuration of the short circuit threshold in 16 Steps.

The step size depends on the sizing of the $R_{VFBH1,2}$ and $R_{VFBL1,2}$ resistors.

In order to have proper short circuit detection MFSSETUP_CH1,2.LEDCHAIN_CH1,2 should be calculated as shown in **Equation (10.2)**.

$$LEDCHAIN = \frac{V_{short_led} \cdot K_{VFB1,2}}{45mV} \quad (10.2)$$

Where $K_{VFB} = R_{VFBL1,2} / (R_{VFBH1,2} + R_{VFBL1,2})$ and V_{short_led} is the desired short circuit threshold value at $V_{OUT1,2}$.

The **Table 10** below displays the relationship between the bitcode and the short circuit threshold voltage $V_{VFB1,2_S2G}$ based on an example (resistor divider $R_{VFBH} = 56\text{ k}\Omega$, $R_{VFBL} = 1.5\text{ k}\Omega$).

The application overvoltage protection is instead not dependent by LEDCHAIN_CH1,2 and, based on the **Equation (10.3)** for this particular resistor divider is fixed to 56 V.

Table 10 Adjustable Short Circuit threshold overview

LEDCHAIN_CH1, 2	V_{OUT_OVLO}	$k = R_{VFBL} / (R_{VFBH} + R_{VFBL})$	V_{open_load}	$V_{short_led} (V)$ $(V_{FB1,2_S2G} / k)$	$V_{VFB1,2_S2G}(V)$
1	56.0	0.026	51.4	1.7	0.045
2 (default)	56.0	0.026	51.4	3.5	0.091
3	56.0	0.026	51.4	5.2	0.136
4	56.0	0.026	51.4	7.0	0.182
5	56.0	0.026	51.4	8.7	0.227
6	56.0	0.026	51.4	10.4	0.272
7	56.0	0.026	51.4	12.2	0.318
8	56.0	0.026	51.4	13.9	0.363
9	56.0	0.026	51.4	15.7	0.409

Protection and Diagnostic Functions

Table 10 Adjustable Short Circuit threshold overview

LEDCHAIN_CH1, 2	V_{OUT_OVLO}	$k = R_{VFBL} / (R_{VFBH} + R_{VFBL})$	V_{open_load}	$V_{short_led} (V)$ $(V_{FB1,2_S2G} / k)$	$V_{VFB1,2_S2G} (V)$
10	56.0	0.026	51.4	17.4	0.454
11	56.0	0.026	51.4	19.2	0.499
12	56.0	0.026	51.4	20.9	0.545
13	56.0	0.026	51.4	22.6	0.590
14	56.0	0.026	51.4	24.4	0.636
15	56.0	0.026	51.4	26.1	0.681
0	56.0	0.026	51.4	27.9	0.726

Short Circuit to GND protection in Boost topologies and IOUTMON1,2/SH2GND1,2 pin usage

A short circuit to GND in a synchronous booster topology (MODE1,2=HIGH) enables a current path from V_{IN} over the inductor L_x , the body diode of Transistor M_y and the shunt resistor R_{FBx} , this can cause destruction of the external components and the application. To avoid this event, additional circuitry is needed as shown in **Figure 23**, the possibility to disconnect the input from the output is given by the pin IOUTMON1,2/SH2GND1,2 and an external n-MOS(M1), p-MOS(M2) combination. Additionally, R3 and D3 are needed in order to pull up FBH pins over the short circuit threshold, and restart the normal operation once the short circuit is removed. The function of the IOUTMON1,2/SH2GND1,2 pin depends on the regulation mode chosen via the MODE1,2 pins. In BUCK regulation mode, the output current monitor function is enabled. In BOOST regulation mode, as mentioned, an external circuitry could be controlled to protect the application against short circuit to GND faults.

*Note: If the short circuit condition disappears, the device will re-start with the soft start routine as described in **Chapter 6.2**.*

Protection and Diagnostic Functions

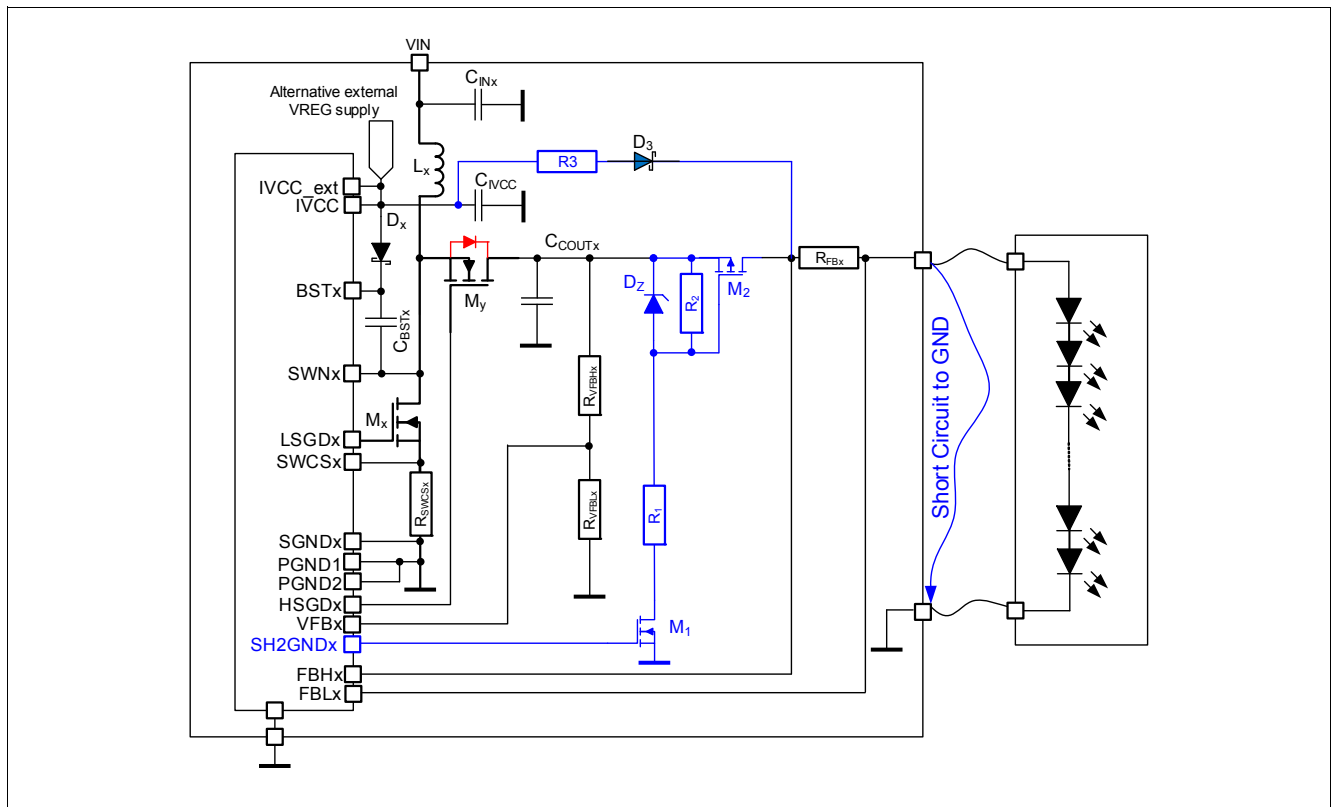


Figure 23 Short Circuit Protection Circuit - TLD5541-2QV

10.2.2 Overvoltage Protection

Voltage dividers between $V_{OUT1,2}$, VFB1,2 pins and AGND are used to adjust the overvoltage protection thresholds (refer to Figure 22).

To fix the overvoltage protection thresholds the following Equation (10.3) is used:

$$V_{OUT,2_OV_protected} = V_{VFB,2_OVTH} \cdot \frac{R_{VFBH,2} + R_{VFB,2}}{R_{VFB,2}} \quad (10.3)$$

If $V_{VFB,2}$ gets higher than its overvoltage thresholds $V_{VFB,2_OVTH}$, the SPI flags (OUTOV_CH1, 2) in the FAULTS_CH1, 2 registers are set to HIGH and the gate drivers stop switching for output regulation (High Impedance, both MOS are OFF). When $V_{VFB,2_OVTH} - V_{VFB,2_OVTH,HYS}$ threshold is reached the device will auto restart.

If the FAULTS_CH1, 2.OUTOVLAT_CH1, 2 bits are set to HIGH the overvoltage protection is changed into latched behavior and the μC has to set the DVCCTRL.CLRLAT bit to reset the OUTOV flag and restart the switching activities.

10.2.3 Overcurrent on Load Protection

If the output current I_{OUT} (or the voltage V_{OUT} for voltage regulators) exceeds the nominal value, driving $V_{(FBH1,2-FBL1,2)} > V_{FBHL_OCTH,rise}$, the SPI flag OUTOC_CH1,2 in the FAULTS_CH1,2 register is set to HIGH and the output stage is set to High Impedance (both MOS are OFF), reducing the risk of load damage. I_{OUT} and V_{OUT} are shown in Figure 22

The device recovers automatically from the overcurrent protection when $V_{(FBH1,2-FBL1,2)} < V_{FBHL_OCTH,fall}$.

Protection and Diagnostic Functions

10.2.4 Open Load Detection

To reliably detect an open load event, two conditions need to be observed for at least 8 clock cycles:

- 1) Voltage threshold: $V_{VFB1,2} > V_{VFB1,2_OL,rise}$
- 2) Output current information: $V_{(FBH1,2-FBL1,2)} < V_{FBH1,2_FBL1,2_OL}$

During the rising edge of the Soft Start the open load detection is ignored until $V_{SOFT_START1,2_LOFF}$.

After an open load detection, the SPI flag (OL_CH1, 2) in the FAULTS_CH1, 2 register is set to HIGH without affecting the gate drivers activity.

An Open Load error causes an increase of the output voltage as well. An Overvoltage condition could be reported in combination with an Open Load error.

10.3 Output current Monitoring

The output current can be monitored through an analog output pin and an SPI routine.

The IOUTMON1,2 pin provides a linear indication of the current flowing through the LEDs. The following **Equation (10.4)** is applicable:

$$V_{IOUTMON\ 1,2} = 200\ mV + I_{OUT\ 1,2} \cdot R_{FB1,2} \cdot 8 \tag{10.4}$$

Purpose of the SPI current monitor routine is to verify if the system is in loop.

- The output of the Led Current Sense is compared to the output of the Analog Dimming DAC
- The comparator works like a 2 bit window ADC around 8 bit DAC output

To execute the current monitor routine the CURRMON_CH1,2.SOMON_CH1,2 bit has to be set HIGH and the result is ready when CURRMON_CH1,2.EOMON_CH1,2 is read HIGH.

The result of the monitor routine for the output current is reported on the CURRMON_CH1,2.LEDCURR_CH1,2 bits.

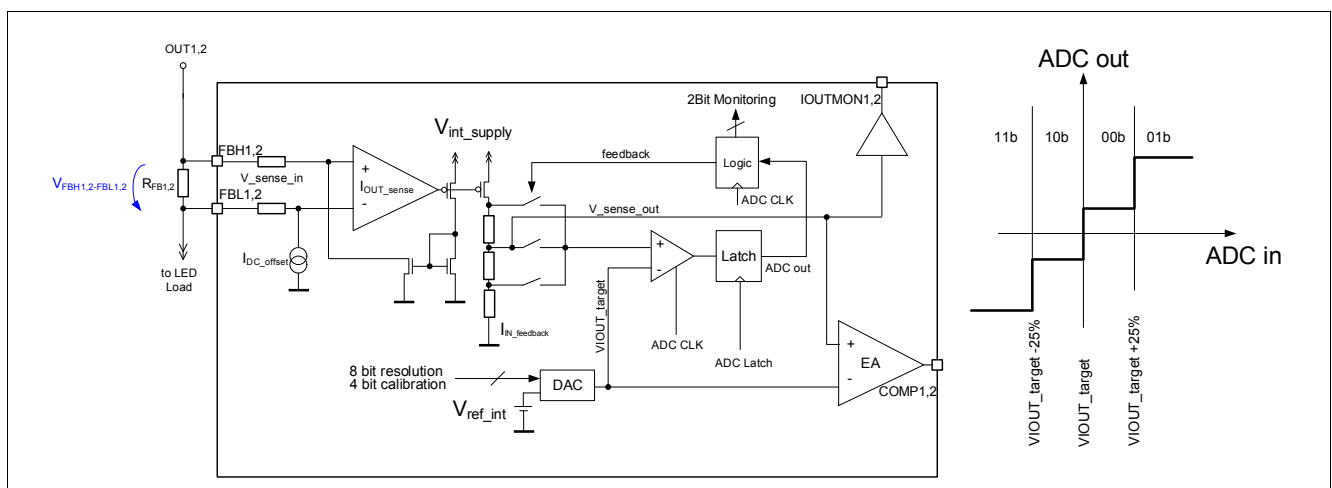


Figure 24 Output Current Monitoring General Overview

Protection and Diagnostic Functions

10.4 Device Temperature Monitoring

A temperature sensor is integrated on the chip. The temperature monitoring circuit compares the measured temperature to the warning and shutdown thresholds. If the internal temperature sensor reaches the warning temperature, the temperature warning bit TW is set to HIGH. This bit is not latched (i.e. if the temperature falls below the warning threshold (with hysteresis), the TW bit is reset to LOW again).

If the internal temperature sensor reaches the shut-down temperature, the Gate Drivers plus the IVCC regulator are shut down as described in **Figure 25** and the temperature shut-down bit: TSD is set to HIGH. The TSD bit is latched while the Gate Drivers plus the IVCC regulator have an auto restart behavior.

Note: The Device will start up with a soft start routine after a TSD condition disappear.

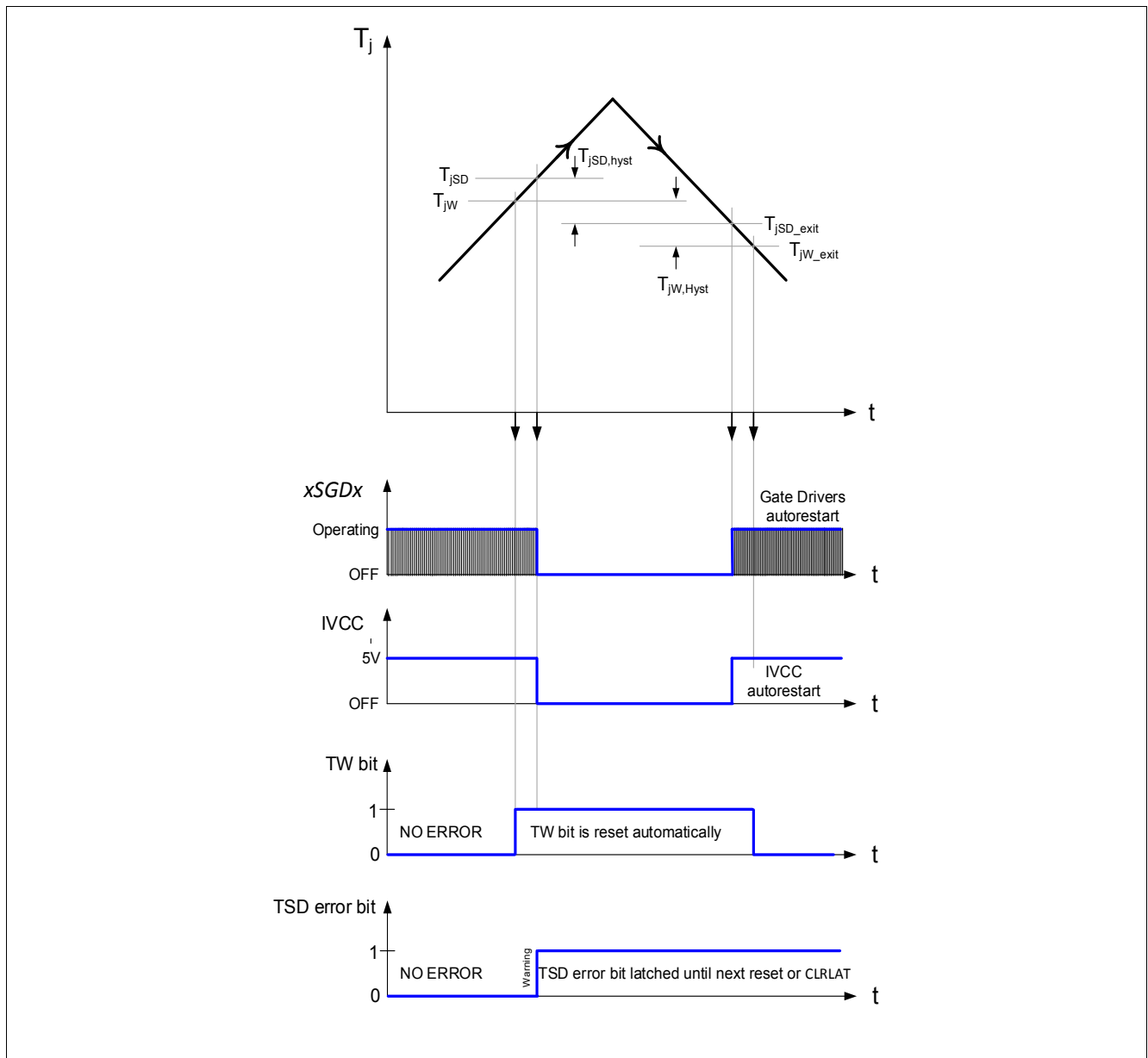


Figure 25 Device Overtemperature Protection Behavior

Protection and Diagnostic Functions

10.5 Electrical Characteristics

Table 11 EC Protection and Diagnosis

$V_{IN} = 8\text{ V to }36\text{ V}$, $T_J = -40^\circ\text{C to }+150^\circ\text{C}$, all voltages with respect to AGND; (unless otherwise specified)

Parameter	Symbol	Values			Unit	Note or Test Condition	Number
		Min.	Typ.	Max.			
Short Circuit Protection							
Short to GND thresholds by VFB1,2 voltage (default)	$V_{VFB1,2_S2G}$	0.081	0.091	0.101	V	$V_{VFB1,2}$ decreasing; MFSSETUP1_CH1, 2. LEDCHAIN_CH1, 2 = 0010 _B ;	P_10.8.17
Short to GND thresholds by FBH1,2 -FBL1,2 voltage	$V_{FBH_FBL_S2G}$	0.25	0.275	0.3	V	$V_{FBH1,2}$ - $V_{FBL1,2}$ increasing, MODE1,2 = HIGH	P_10.8.32
Short to GND thresholds by FBH1,2 voltage	V_{FBH_S2G}	1.18	1.25	1.32	V	$V_{FBH1,2}$ decreasing, MODE1,2 = HIGH	P_10.8.33
Output Characteristics of Short to GND pins (SH2GND1,2)							
L level output voltage	$V_{SH2GND1,2}$ (L)	0	-	0.4	V	$I_{SH2GND1,2} = -2\text{ mA}$;	P_10.8.34
H level output voltage	$V_{SH2GND1,2}$ (H)	$V_{IVCC_EXT} - 0.4\text{ V}$	-	V_{IVCC_EXT}	V	$I_{SO} = 2\text{ mA}$; $V_{IVCC_EXT} = 5\text{ V}$;	P_10.8.35
Temperature Protection:							
Thermal Warning junction temperature	$T_{j,W}$	125	140	155	°C	¹⁾	P_10.8.2
Temperature warning Hysteresis	$T_{j,W,hyst}$	-	10	-	°C	¹⁾	P_10.8.3
Over Temperature Shutdown	$T_{j,SD}$	160	175	190	°C	¹⁾	P_10.8.4
Over Temperature Shutdown Hysteresis	$T_{j,SD,hyst}$	-	10	-	°C	¹⁾	P_10.8.5
Overvoltage Protection:							
VFB1,2 Over Voltage Feedback Threshold	$V_{VFB1,2_OVT}$ H	1.42	1.46	1.50	V		P_10.8.18
Output Over Voltage Feedback Hysteresis	$V_{VFB1,2_OVT}$ H,HYS	25	40	58	mV	¹⁾ Output Voltage decreasing;	P_10.8.19
Overcurrent Protection							
I_{OUT} Overcurrent rising Threshold	V_{FBHL_OCT} H,rise	185	205	225	mV		P_10.8.30
I_{OUT} Overcurrent falling Threshold	V_{FBHL_OCT} H,fall	165	185	205	mV		P_10.8.31
Open Load and Open Feedback Diagnostics							

Protection and Diagnostic Functions

Table 11 EC Protection and Diagnosis (cont'd)

$V_{IN} = 8\text{ V to }36\text{ V}$, $T_J = -40^\circ\text{C to }+150^\circ\text{C}$, all voltages with respect to AGND; (unless otherwise specified)

Parameter	Symbol	Values			Unit	Note or Test Condition	Number
		Min.	Typ.	Max.			
Open Load rising Thresholds	$V_{VFB1,2_OL, rise}$	1.29	1.34	1.39	V	$V_{FBH1,2-FBL1,2} = 0\text{ V}$;	P_10.8.20
Open Load reference Voltages $V_{FBH1,2-FBL1,2}$	$V_{FBH1,2_FBL1,2_OL}$	–	15	24	mV	$V_{VFB1,2} = 1.4\text{ V}$;	P_10.8.21
Open Load falling Thresholds	$V_{VFB1,2_OL,f all}$	1.23	1.28	1.33	V	$V_{FBH1,2-FBL1,2} = 0\text{ V}$;	P_10.8.22

1) Specified by design; not subject to production test.

Note: Integrated protection functions are designed to prevent IC destruction under fault conditions described in the datasheet. Fault conditions are considered as “outside” normal operating range. Protection functions are not designed for continuous repetitive operation.

11 Infineon FLAT SPECTRUM Feature set

11.1 Description

The Infineon FLAT SPECTRUM feature set has the target to minimize external additional filter circuits. The goal is to provide several beneficial concepts to provide easy adjustments for EMC improvements after the layout is already done and the HW designed.

11.2 Synchronization Function

The gate driver switching behavior of the TLD5541-2QV are per default 180° phase shifted between the two channels. Synchronization and Spread Spectrum modulation will be done on top of the 180° phase shift between the two channels.

The TLD5541-2QV features a SYNC input pin which can be used by a μC pin to define an oscillator switching frequency. The μC is responsible to synchronize with various devices by applying appropriate SYNC signals to the dedicated DC/DC devices in the system. Refer to [Figure 26](#)

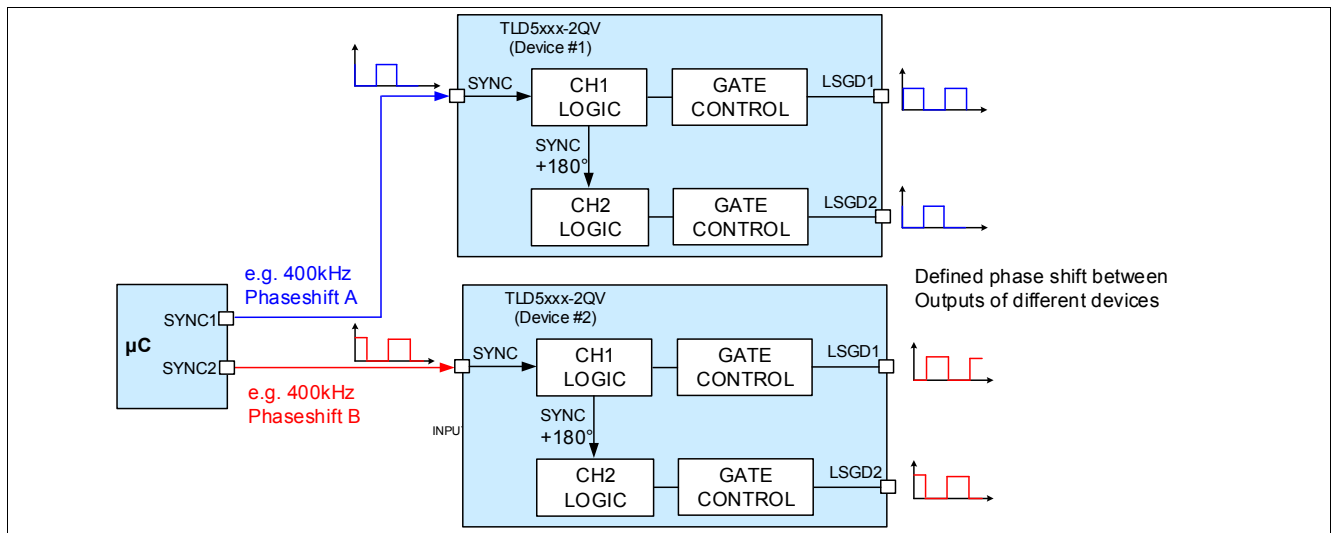


Figure 26 Synchronization Overview

11.3 Spread Spectrum

The Spread Spectrum modulation technique significantly improves the lower frequency range of the spectrum ($f < 30$ MHz).

By using the spread spectrum technique, it is possible to optimize the input filter only for the peak limits, and also pass the average limits (average emission limits are -20dB lower than the peak emission limits). By using spread spectrum, the need for low ESR input capacitors is relaxed because the input capacitor series resistor is important for the low frequency filter characteristic. This can be an economic benefit if there is a strong requirement for average limits.

The TLD5541-2QV features a built in Spread Spectrum function which can be disabled (SWTMOD. ENSPREAD) and adjusted via the SPI interface. Dedicated SPI-Bits are used to adjust the modulation frequency f_{FM} , (P_11.6.3) and (P_11.6.4) (SWTMOD. FMSPREAD) and the deviation frequency f_{dev} , (P_11.6.1) and (P_11.6.2) (SWTMOD. FDEVSPREAD) accordingly to specific application needs. Refer to **Figure 27** for more details.

The following adjustments can be programmed when SWTMOD. ENSPREAD = HIGH:

SWTMOD. FMSPREAD = LOW: 12 kHz

SWTMOD. FMSPREAD = HIGH: 18 kHz

SWTMOD. FDEVSPREAD = HIGH: $\pm 10\%$ of f_{SW}

SWTMOD. FDEVSPREAD = LOW: $\pm 20\%$ of f_{SW}

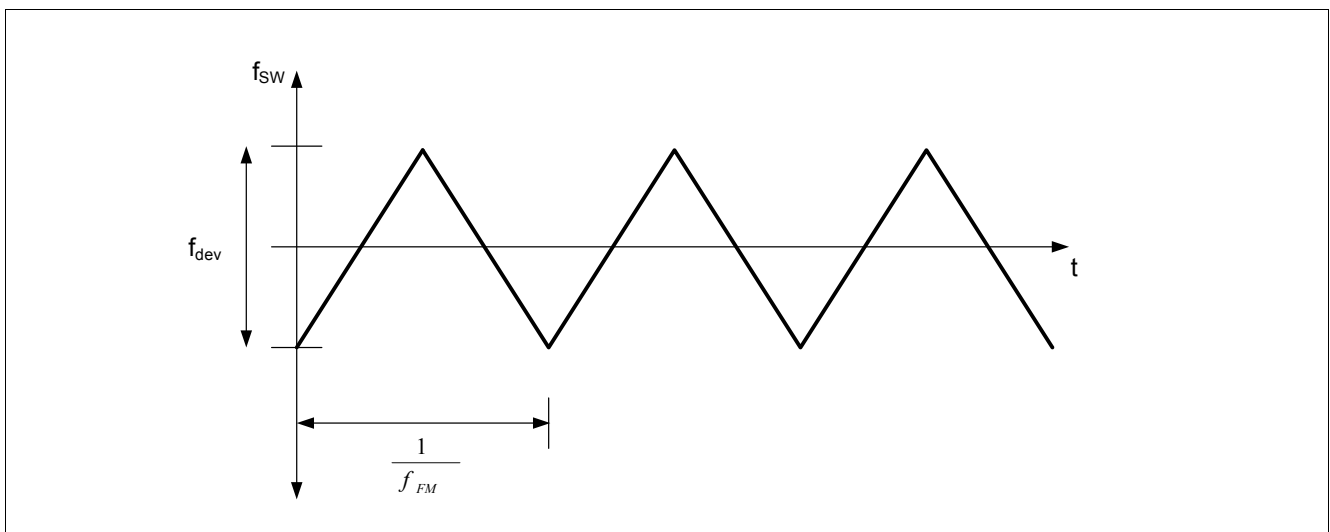


Figure 27 Spread Spectrum Overview

11.4 EMC optimized schematic

Figure 28 below displays the Application circuit with additional external components for improved EMC behavior.

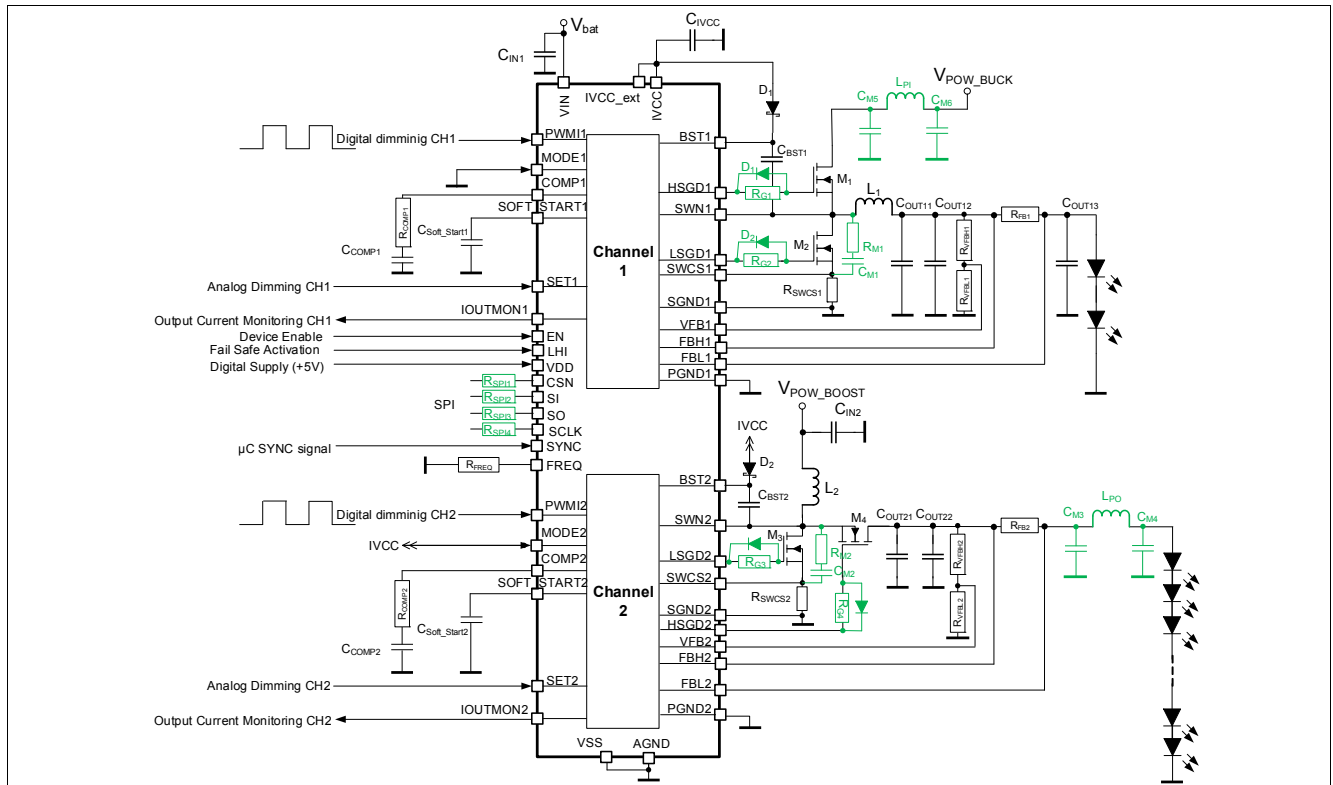


Figure 28 Application Drawing Including Additional Components for an Improved EMC Behavior - TLD5541-2QV

Note: The following information is given as a hint for the implementation of the device only and shall not be regarded as a description or warranty of a certain functionality, condition or quality of the device.

11.5 Electrical Characteristics

Table 12 EC Spread Spectrum

$V_{IN} = 8\text{ V to }36\text{ V}$, $T_J = -40^\circ\text{C to }+150^\circ\text{C}$, all voltages with respect to AGND; (unless otherwise specified)

Parameter	Symbol	Values			Unit	Note or Test Condition	Number
		Min.	Typ.	Max.			
Spread Spectrum Parameters							
Frequency Deviation	f_{dev}	–	±10	–	%	1) SWTMOD.FDEV SPREAD = HIGH;	P_11.6.1
Frequency Deviation	f_{dev}	–	±20	–	%	1) SWTMOD.FDEV SPREAD = LOW;	P_11.6.2
Frequency Modulation	f_{FM}	–	12	–	kHz	1) SWTMOD.FMSP READ = LOW;	P_11.6.3
Frequency Modulation	f_{FM}	–	18	–	kHz	1) SWTMOD.FMSP READ = HIGH;	P_11.6.4

1) Specified by design; not subject to production test.

Serial Peripheral Interface (SPI)

12 Serial Peripheral Interface (SPI)

The serial peripheral interface (SPI) is a full duplex synchronous serial slave interface, which uses four lines: SO, SI, SCLK and CSN. Data is transferred by the lines SI and SO at the rate given by SCLK. The falling edge of CSN indicates the beginning of an access. Data is sampled in on line SI at the falling edge of SCLK and shifted out on line SO at the rising edge of SCLK. Each access must be terminated by a rising edge of CSN. A modulo 8/16 counter ensures that data is taken only when a multiple of 8 bit has been transferred after the first 16 bits. Otherwise, a TER (i.e. Transmission Error) bit is asserted. In this way the interface provides daisy chain capability with 16 bit as well as with 8 bit SPI devices.

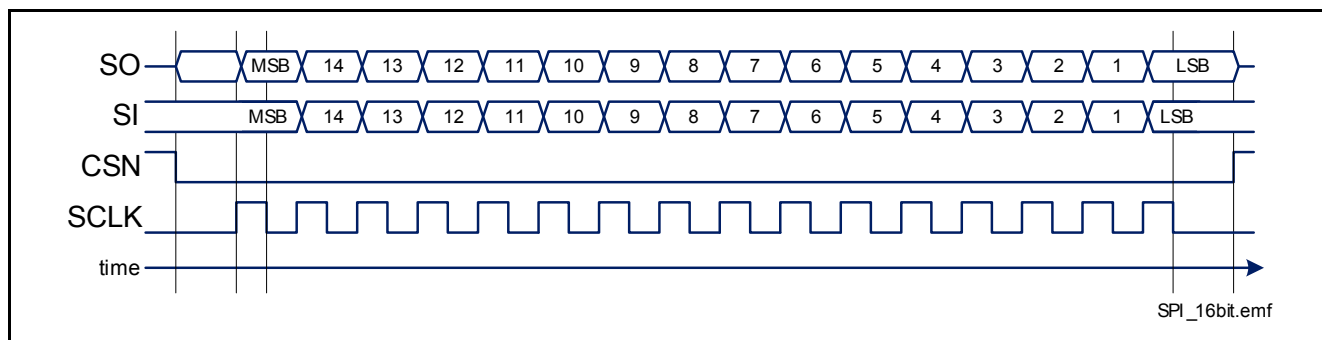


Figure 29 Serial Peripheral Interface

12.1 SPI Signal Description

CSN - Chip Select

The system microcontroller selects the TLD5541-2QV by means of the CSN pin. Whenever the pin is in LOW state, data transfer can take place. When CSN is in HIGH state, any signals at the SCLK and SI pins are ignored and SO is forced into a high impedance state.

CSN HIGH to LOW Transition

- The requested information is transferred into the shift register.
- SO changes from high impedance state to HIGH or LOW state depending on the signal level at pin SI.
- If the device is in SLEEP mode, the SO pin remains in high impedance state and no SPI transmission will occur.
- TER Flag will set the Bit number 10 in the STD diagnosis Frame. This Bit is set to HIGH after an undervoltage condition, reset via SPI command, on Limp Home state entering or after an incorrect SPI transmission. TER Flag can be read also directly on the SO line between the falling edge of the CSN and the first rising edge of the SCLK according to the [Figure 30](#).

Serial Peripheral Interface (SPI)

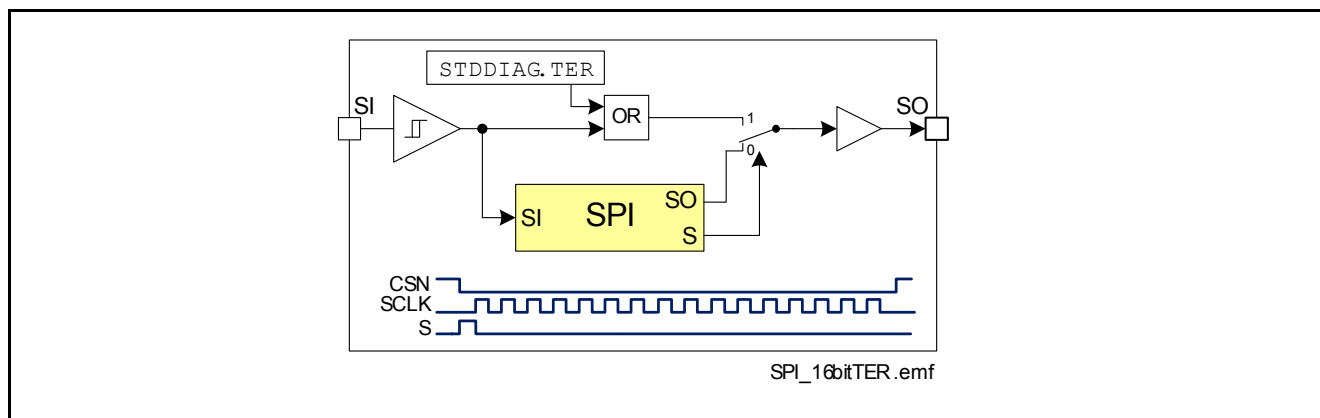


Figure 30 Combinatorial Logic for TER bit

CSN LOW to HIGH Transition

- Command decoding is only done, when after the falling edge of CSN exactly a multiple (0,1, 2, 3, ...) of eight SCLK signals have been detected after the first 16 SCLK pulses. In case of faulty transmission, the transmission error bit (TER) is set and the command is ignored.
- Data from shift register is transferred into the addressed register.

SCLK - Serial Clock

This input pin clocks the internal shift register. The serial input (SI) transfers data into the shift register on the falling edge of SCLK while the serial output (SO) shifts diagnostic information out on the rising edge of the serial clock. It is essential that the SCLK pin is in LOW state whenever chip select CSN makes any transition, otherwise the command may be not accepted.

SI - Serial Input

Serial input data bits are shift-in at this pin, the most significant bit first. SI information is read on the falling edge of SCLK. The input data consists of two parts, control bits followed by data bits. Please refer to [Chapter 12.5](#) for further information.

SO Serial Output

Data is shifted out serially at this pin, the most significant bit first. SO is in high impedance state until the CSN pin goes to LOW state. New data will appear at the SO pin following the rising edge of SCLK. Please refer to [Chapter 12.5](#) for further information.

12.2 Daisy Chain Capability

The SPI of the TLD5541-2QV provides daisy chain capability. In this configuration several devices are activated by the same CSN signal MCSN. The SI line of one device is connected with the SO line of another device (see [Figure 31](#)), in order to build a chain. The end of the chain is connected to the output and input of the master device, MO and MI respectively. The master device provides the master clock MCLK which is connected to the SCLK line of each device in the chain.

Serial Peripheral Interface (SPI)

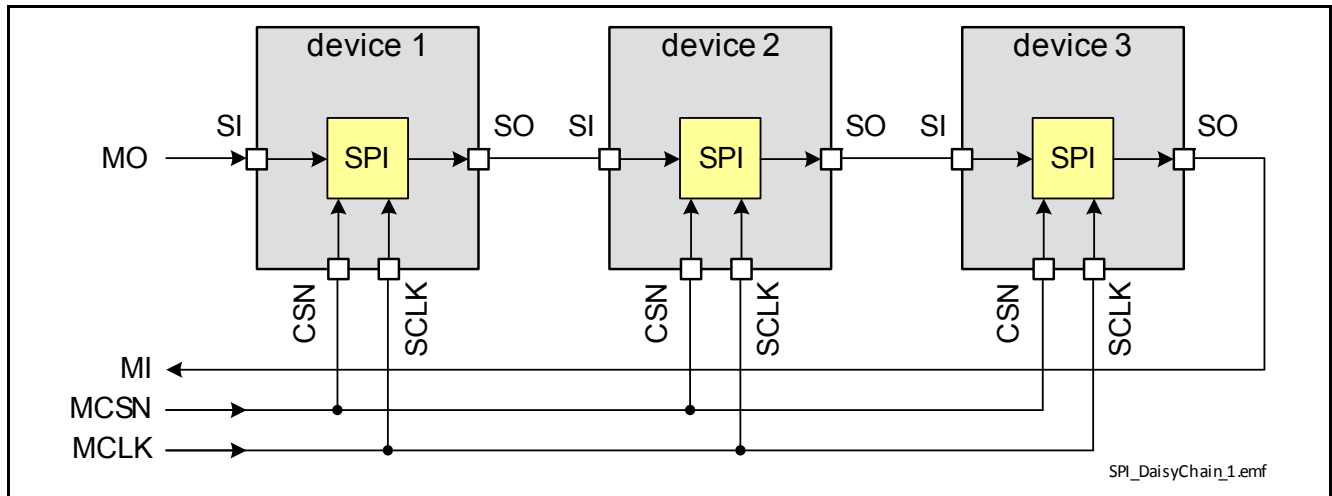


Figure 31 Daisy Chain Configuration

In the SPI block of each device, there is one shift register where each bit from the SI line is shifted in with each SCLK. The bit shifted out occurs at the SO pin. After sixteen SCLK cycles, the data transfer for one device is finished. In single chip configuration, the CSN line must turn HIGH to make the device acknowledge the transferred data. In daisy chain configuration, the data shifted out at device 1 has been shifted in to device 2. When using three devices in daisy chain, several multiples of 8 bits have to be shifted through the devices (depending on how many devices with 8 bit SPI and how many with 16 bit SPI). After that, the MCSN line must turn HIGH (see Figure 32).

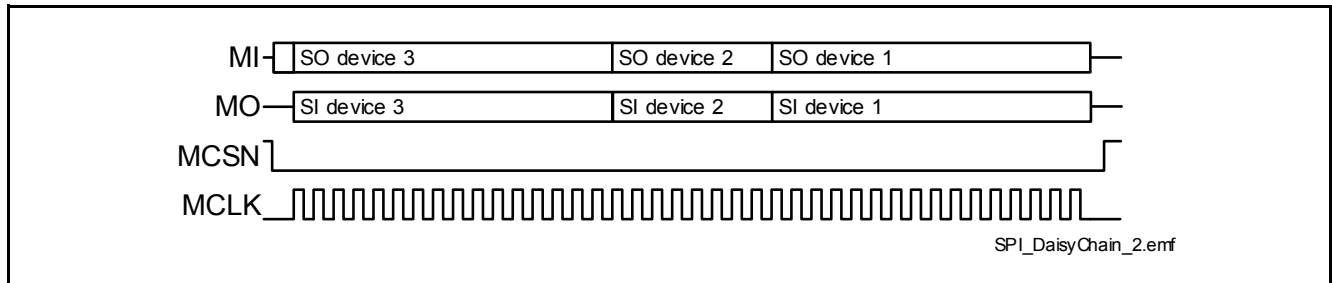


Figure 32 Data Transfer in Daisy Chain Configuration

Serial Peripheral Interface (SPI)

12.3 Timing Diagrams

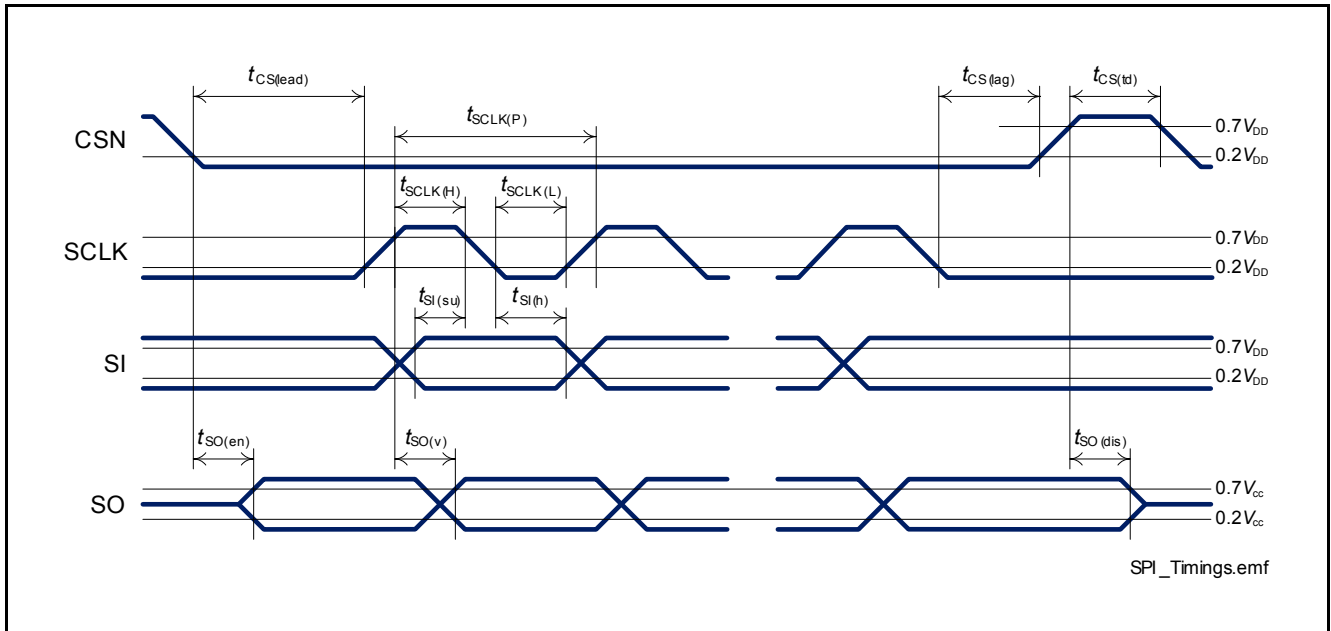


Figure 33 Timing Diagram SPI Access

Serial Peripheral Interface (SPI)

12.4 Electrical Characteristics

$V_{IN} = 8\text{ V to }36\text{ V}$, $T_J = -40^\circ\text{C to }+150^\circ\text{C}$, $V_{DD} = 3\text{ V to }5.5\text{ V}$, all voltages with respect to ground; (unless otherwise specified)

Table 13 EC Serial Peripheral Interface (SPI)

Parameter	Symbol	Values			Unit	Note or Test Condition	Number
		Min.	Typ.	Max.			
Input Characteristics (CSN, SCLK, SI) - LOW level of pin							
CSN	$V_{CSN(L)}$	0	–	0.8	V	–	P_12.4.1
SCLK	$V_{SCLK(L)}$	0	–	0.8	V	–	P_12.4.2
SI	$V_{SI(L)}$	0	–	0.8	V	–	P_12.4.3
Input Characteristics (CSN, SCLK, SI) - HIGH level of pin							
CSN	$V_{CSN(H)}$	2	–	V_{DD}	V	–	P_12.4.4
SCLK	$V_{SCLK(H)}$	2	–	V_{DD}	V	–	P_12.4.5
SI	$V_{SI(H)}$	2	–	V_{DD}	V	–	P_12.4.6
L-input pull-up current at CSN pin	$-I_{CSN(L)}$	31	63	94	μA	$V_{DD} = 5\text{ V};$ $V_{CSN} = 0.8\text{ V};$	P_12.4.7
H-input pull-up current at CSN pin	$-I_{CSN(H)}$	22	45	67	μA	$V_{DD} = 5\text{ V};$ $V_{CSN} = 2\text{ V};$	P_12.4.8
L-Input Pull-Down Current at Pin							
SCLK	$I_{SCLK(L)}$	6	12	18	μA	$V_{SCLK} = 0.8\text{ V};$	P_12.4.9
SI	$I_{SI(L)}$	6	12	18	μA	$V_{SI} = 0.8\text{ V};$	P_12.4.10
H-Input Pull-Down Current at Pin							
SCLK	$I_{SCLK(H)}$	15	30	45	μA	$V_{SCLK} = 2\text{ V};$	P_12.4.11
SI	$I_{SI(H)}$	15	30	45	μA	$V_{SI} = 2\text{ V};$	P_12.4.12
Output Characteristics (SO)							
L level output voltage	$V_{SO(L)}$	0	–	0.4	V	$I_{SO} = -2\text{ mA};$	P_12.4.13
H level output voltage	$V_{SO(H)}$	$V_{DD} - 0.4\text{ V}$	–	V_{DD}	V	$I_{SO} = 2\text{ mA};$ $V_{DD} = 5\text{ V};$	P_12.4.14
Output tristate leakage current	$I_{SO(OFF)}$	-1	–	1	μA	$V_{CSN} = V_{DD};$ $V_{SO} = 0\text{ V or}$ $V_{SO} = V_{DD};$	P_12.4.15
Timings							
Enable lead time (falling CSN to rising SCLK)	$t_{CSN(lead)}$	200	–	–	ns	¹⁾	P_12.4.17
Enable lag time (falling SCLK to rising CSN)	$t_{CSN(lag)}$	200	–	–	ns	¹⁾	P_12.4.18
Transfer delay time (rising CSN to falling CSN)	$t_{CSN(td)}$	250	–	–	ns	¹⁾	P_12.4.19
Output enable time (falling CSN to SO valid)	$t_{SO(en)}$	–	–	200	ns	¹⁾ $C_L = 20\text{ pF at SO pin};$	P_12.4.20

Serial Peripheral Interface (SPI)

Table 13 EC Serial Peripheral Interface (SPI) (cont'd)

Parameter	Symbol	Values			Unit	Note or Test Condition	Number
		Min.	Typ.	Max.			
Output disable time (rising CSN to SO tristate)	$t_{SO(dis)}$	–	–	200	ns	¹⁾ $C_L = 20$ pF at SO pin;	P_12.4.21
Serial clock frequency	f_{SCLK}	–	–	5	MHz	¹⁾	P_12.4.22
Serial clock period	$t_{SCLK(P)}$	200	–	–	ns	¹⁾	P_12.4.24
Serial clock HIGH time	$t_{SCLK(H)}$	75	–	–	ns	¹⁾	P_12.4.25
Serial clock LOW time	$t_{SCLK(L)}$	75	–	–	ns	¹⁾	P_12.4.26
Data setup time (required time SI to falling SCLK)	$t_{SI(su)}$	20	–	–	ns	¹⁾	P_12.4.27
Data hold time (falling SCLK to SI)	$t_{SI(h)}$	20	–	–	ns	¹⁾	P_12.4.28
Output data valid time with capacitive load	$t_{SO(v)}$	–	–	100	ns	¹⁾ $C_L = 20$ pF;	P_12.4.29

¹⁾ Not subject to production test, specified by design

Serial Peripheral Interface (SPI)

12.5 SPI Protocol

The relationship between SI and SO content during SPI communication is shown in **Figure 34**. The SI line represents the frame sent from the μC and the SO line is the answer provided by the TLD5541-2QV. The first SO response is the response from the previous command.

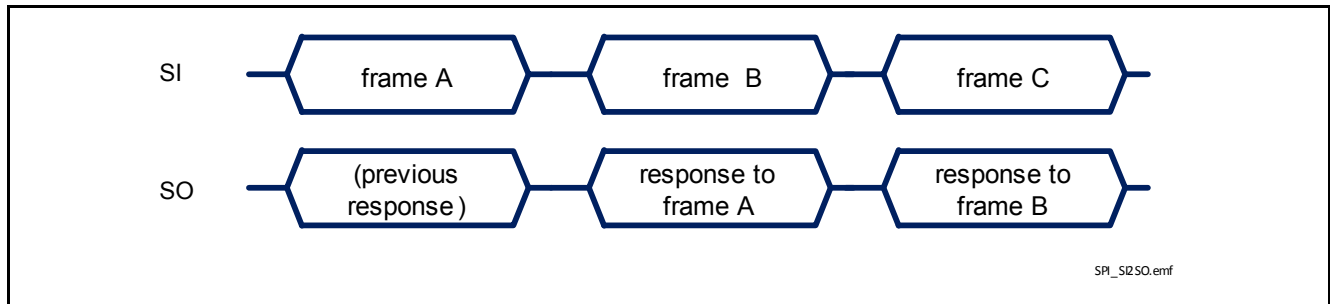


Figure 34 Relationship between SI and SO during SPI communication

The SPI protocol will provide the answer to a command frame only with the next transmission triggered by the μC . Although the biggest majority of commands and frames implemented in TLD5541-2QV can be decoded without the knowledge of what happened before, it is advisable to consider what the μC sent in the previous transmission to decode TLD5541-2QV response frame completely.

More in detail, the sequence of commands to “read” and “write” the content of a register will look as follows:

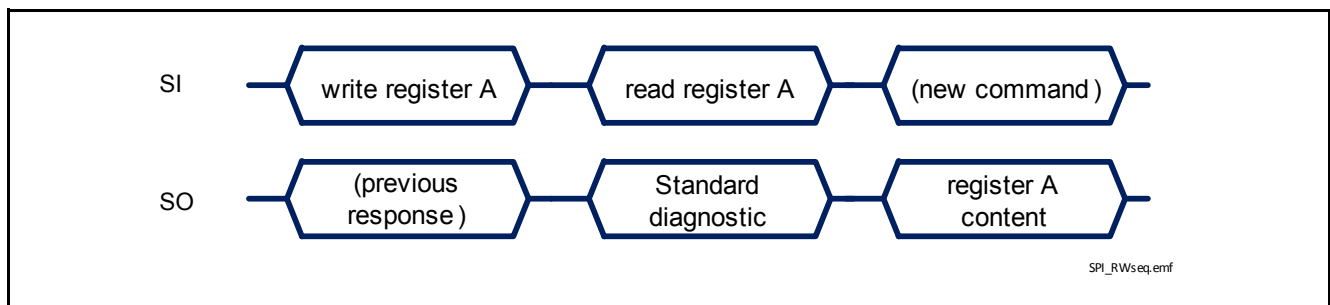


Figure 35 Register content sent back to μC

There are 3 special situations where the frame sent back to the μC doesn't depend on the previously received frame:

- in case an error in transmission happened during the previous frame (for instance, the clock pulses were not multiple of 8 with a minimum of 16 bits), shown in **Figure 36**
- when TLD5541-2QV logic supply comes out of an Undervoltage reset condition ($V_{\text{DD}} < V_{\text{DD(UV)}}$) as shown in **Figure 37** or $\text{EN/INUVLO} < V_{\text{EN/INUVLOth}}$)
- in case of a read or write command for a “not used” or “reserved” register (in this case TLD5541-2QV answers with Standard Diagnosis at the next SPI transmission)

Serial Peripheral Interface (SPI)

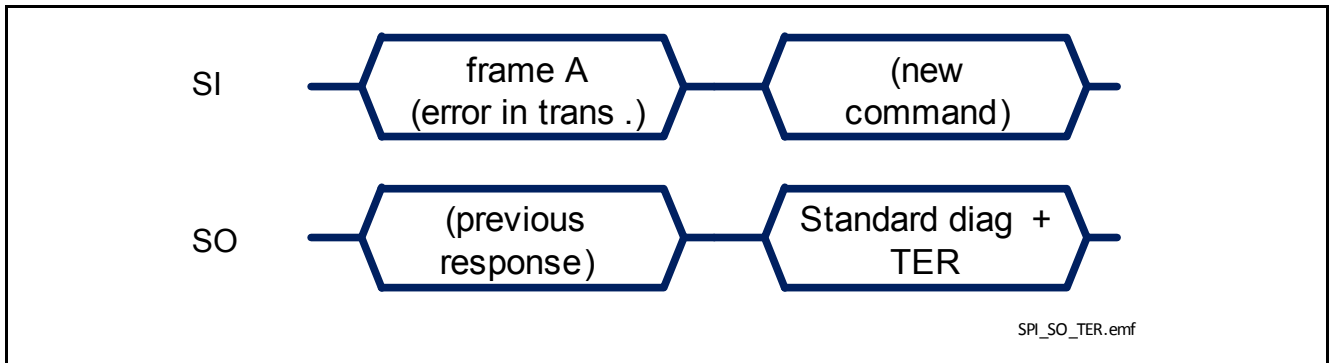


Figure 36 TLD5541-2QV response after an error in transmission

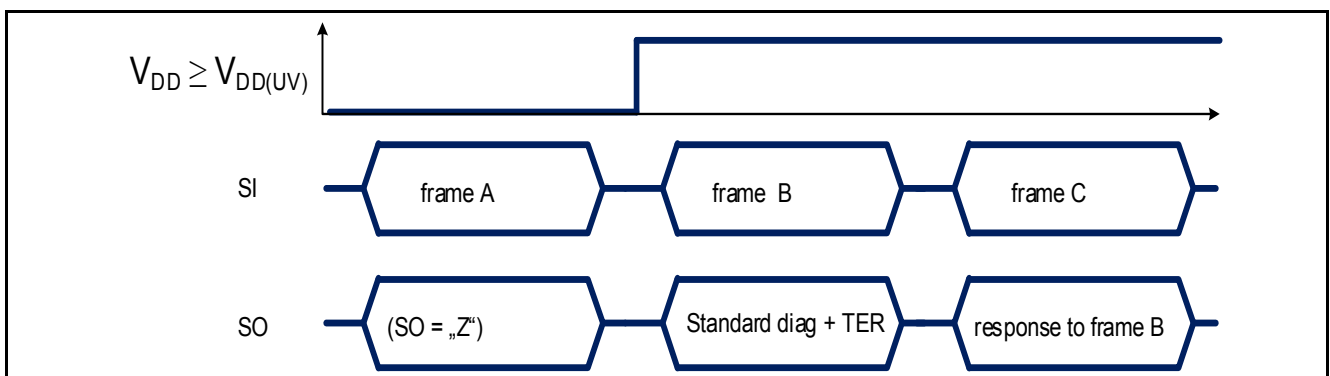


Figure 37 TLD5541-2QV response after coming out of Power-On reset at V_{DD}

Serial Peripheral Interface (SPI)

12.6 SPI Registers Overview

	15	14	13	12	11	10	9	8	7	6	5	4	3	2	1	0	
Frame	W/R	RB	ADDR						Data								
Write Register in bank 0																	
SI	1	0	ADDR						Data								
Write Register in bank 1																	
SI	1	1	ADDR						Data								
Read Register in bank 0																	
SI	0	0	ADDR						x	x	x	x	x	x	x	x	0
Read Register in bank 1																	
SI	0	1	ADDR						x	x	x	x	x	x	x	x	0
Read Standard Diagnosis																	
SI	0	x	x	x	x	x	x	x	x	x	x	x	x	x	x	x	1

Reading a register needs two SPI frames. In the first frame the read command is sent. In the second frame the output at SPI signal SO will contain the requested information. The MSB will be HIGH (while in case of standard diagnosis is LOW). A new command can be executed in the second frame.

12.6.1 Standard Diagnosis

The Standard Diagnosis reports several diagnostic informations and the status of the device and the utility routines. The bits SWRST, UVLORST, TER, CAPUV_CH1, CAPUV_CH2, and IVCCUVLO are latched and automatically cleared after a STD diagnosis reading.

The bit TSD is latched and clearable only via explicit CLRLAT command..

The bits STATE and TW are real time status flags.

The bits EOMON, EOMFS, EOCAL, FAULT_CH1 and FAULT_CH2 are mirrors of internal registers.

A CLRLAT command resets the diagnostic Latched Flags and Latched protections for the OUTOV_CH1,2, TSD bits, restarting the switching activity if this was halted due the previously mentioned faults.

In standard operating condition (active state, no Limp Home), if no special routines have been executed and no faults have been detected, the readout of the STD should be 1000_H.

15	14	13	12	11	10	9	8	7	6	5	4	3	2	1	0
0	SWRST	UVLO RST	STATE	TER	EO MON	EOM FS	EOC AL	CAPU V_CH 2	CAPU V_CH 1	IVCCU VLO	FAULT _CH2	FAULT _CH1	TSD	TW	

Serial Peripheral Interface (SPI)

Field	Bits	Type	Description
SWRST	14	r	SWRST Monitor 0_B , no SWRST occurred 1_B , there was at least one SWRST since last readout
UVLORST	13	r	V_{DD} OR $V_{EN/INUVLO}$ Undervoltage Monitor 0_B , there was no V_{DD} OR $V_{EN/INUVLO}$ undervoltage since last readout 1_B , there was at least one V_{DD} undervoltage OR $V_{EN/INUVLO}$ undervoltage condition since last readout
STATE	12:11	r	Operative State Monitor 00_B , (reserved) 01_B , Limp Home Mode 10_B , Active Mode 11_B , Idle Mode
TER	10	r	Transmission Error 0_B , Previous transmission was successful (modulo 16 + n*8 clocks received, where n = 0, 1, 2...) 1_B , Previous transmission failed or first transmission after reset
EOMON	9	r	Mirror of EOMON_CH1,2 This bit is the mirror of EOMON_CH1 or EOMON_CH2 bits, according to the last SOMON_CH1,2 command received.
EOMFS	8	r	Mirror of EOMFS_CH1,2 This bit is the mirror of EOMFS_CH1 or EOMFS_CH2 bits, according to the last SOMFS_CH1,2 command received.
EOCAL	7	r	Mirror of EOCAL_CH1,2 This bit is the mirror of EOCAL_CH1 or EOCAL_CH2 bits, according to the last SOCAL_CH1,2 command received.
CAPUV_CH2	6	r	Undervoltage at High Side Drivers monitor bit for CH2: 0_B , $V_{BST2} - V_{SWN2}$ voltage difference is above the Gate Driver undervoltage threshold $V_{BST2} - V_{SWN2_UVth}$ = no undervoltage at Gate Drivers detected 1_B , $V_{BST2} - V_{SWN2}$ voltage is below the Gate Driver undervoltage threshold $V_{BST2} - V_{SWN2_UVth}$ = undervoltage at Gate Drivers detected
CAPUV_CH1	5	r	Undervoltage at High Side Drivers monitor bit for CH1: 0_B , $V_{BST1} - V_{SWN1}$ voltage difference is above the Gate Driver undervoltage threshold $V_{BST1} - V_{SWN1_UVth}$ = no undervoltage at Gate Drivers detected 1_B , $V_{BST1} - V_{SWN1}$ voltage is below the Gate Driver undervoltage threshold $V_{BST1} - V_{SWN1_UVth}$ = undervoltage at Gate Drivers detected
IVCCUVLO	4	r	IVCC or IVCC_EXT Undervoltage Lockout Monitor 0_B , IVCC and IVCC_EXT above $V_{IVCC_RTH,d}$ or $V_{IVCC_EXT_RTH,d}$ threshold since last readout 1_B , Undervoltage on IVCC or IVCC_EXT occurred since last readout

Serial Peripheral Interface (SPI)

Field	Bits	Type	Description
FAULT_CH2	3	r	Fault Diagnosis Flag of CH2 This bit is the mirror of SHRTLED_CH2, OL_CH2, OUTOV_CH2 combined in logic OR
FAULT_CH1	2	r	Fault Diagnosis Flag of CH1 This bit is the mirror of SHRTLED_CH1, OL_CH1, OUTOV_CH1 combined in logic OR
TSD	1	r	Over Temperature Shutdown 0 _B , T_j below temperature shutdown threshold 1 _B , Overtemperature condition detected since last readout
TW	0	r	Over Temperature Warning 0 _B , T_j below temperature warning threshold 1 _B , T_j exceeds temperature warning threshold

Serial Peripheral Interface (SPI)

12.6.2 Register structure

Table 16 describes in detail the available registers with their bit-fields function, size and position

Table 14 and **Table 15** show register addresses and summarize bit-field position inside each register

Table 14 Register Bank 0

Bit	15	14	13	12	11	10	9	8	7	6	5	4	3	2	1	0		
Name	W/R	R/B	ADDR					Data										
LEDCURRA DIM_CH1	W/R	0	0	0	0	0	0	0	ADIMVAL_CH1									
LEDCURR AL_CH1	W/R	0	0	0	0	0	1	1	x	DAC_OF F_CH1	SOCAL _CH1	EOCAL _CH1	CALIBVAL_CH1					
SWTMOD	W/R	0	0	0	0	1	0	1	x	x	x	x	x	ENSP READ	FMSP READ	FDEVS PREAD		
DVCCTRL	W/R	0	0	0	0	1	1	0	x	x	x	x	x	CLRLA T	SWRS T	IDLE		
MFSSETUP 1_CH1	W/R	0	0	0	1	0	0	1	x	EA_IOU T_MFS_ CH1	SOMFS _CH1	EOMFS _CH1	LEDCHAIN_CH1					
MFSSETUP 2_CH1	W/R	0	0	0	1	0	1	0	MFSPLY_CH1									
CURRMON _CH1	W/R	0	0	0	1	1	0	0	x	x	x	IOUTM ON_CH 1	SOMON _CH1	EOMO N_CH 1	LEDCURR_CH1			
FAULTS_C H1	W/R	0	0	0	1	1	1	1	OUT OC_ CH1	x	x	OUTOV LAT_C H1	REGUM ODFB_C H1	OUTO V_CH 1	OL_C H1	SHRTL ED_CH 1		
LOOPCTRL _CH1	W/R	0	0	1	0	0	0	1	PW M_1	x	x	x	x	x	0	ENCAL _CH1		

Table 15 Register Bank 1

Bit	15	14	13	12	11	10	9	8	7	6	5	4	3	2	1	0		
Name	W/R	R/B	ADDR					Data										
LEDCURRA DIM_CH2	W/R	1	0	0	0	0	0	1	ADIMVAL_CH2									
LEDCURR AL_CH2	W/R	1	0	0	0	0	1	0	x	DAC_O FF_CH2	SOCAL _CH2	EOCAL _CH2	CALIBVAL_CH2					
MFSSETUP 1_CH2	W/R	1	0	0	1	0	0	0	x	EA_IOU T_MFS_ _CH2	SOMFS _CH2	EOMFS _CH2	LEDCHAIN_CH2					

Serial Peripheral Interface (SPI)

Table 15 Register Bank 1 (cont'd)

Bit	15	14	13	12	11	10	9	8	7	6	5	4	3	2	1	0
MFSSETUP_2_CH2	W/R	1	0	0	1	0	1	1	MFS_DLY_CH2							
CURRMON_CH2	W/R	1	0	0	1	1	0	1	x	x	x	IOUTM_ON_CH2	SOMON_CH2	EOMON_CH2	LEDCURR_CH2	
FAULTS_CH2	W/R	1	0	0	1	1	1	0	OUT_OC_CH2	x	x	OUTOV_LAT_C_H2	REGUM_ODFB_C_H2	OUTOV_V_CH2	OL_C_H2	SHRTLED_CH2
LOOPCTRL_CH2	W/R	1	0	1	0	0	0	0	PWM_2	x	x	x	x	x	0	ENCAL_CH2

A write to a non existing address is ignored, a read to a non existing register is ignored and the STD Diagnosis Frame is send out.

Table 16 Register description

Register name	Field	Bits	Type	Purpose
LEDCURRADIM_CH1, 2	ADIMVAL_CH1, 2	7:0	r/w	LED Current Configuration Register 00000000 _B , analog dimming @ 0% of LED current fixed via $R_{FB1,2}$ 11110000 _B , (default) analog dimming @ 100% of LED current fixed via $R_{FB1,2}$
LEDCURRCAL_CH1, 2	CALIBVAL_CH1, 2	3:0	r/w	LED Current Accuracy Trimming Configuration Register LED current calibration value definition, the first bit is the calibration sign: 0000 _B , (default) Initial state in the middle of the range 0111 _B , maximum calibration value positive 1111 _B , maximum calibration value negative
	EOCAL_CH1, 2	4	r	End of calibration routine signalling bit: 0 _B , (default) calibration routine not completed, not successfully performed or never run. 1 _B , calibration successfully performed (is reset to 0 _B when SOCAL_CH1, 2 is set to 1 _B)
	SOCAL_CH1, 2	5	r/w	Start of calibration routine signalling bit: 0 _B , (default) no calibration routine started 1 _B , calibration routine start (autoclear)
	DAC_OFF_CH1, 2	6	r/w	Switch OFF internal analog dimming DAC bit: 0 _B , (default) internal DAC active 1 _B , internal DAC inactive and analog dimming error amplifier reference mapped to SET1,2 pin

Serial Peripheral Interface (SPI)

Table 16 Register description (cont'd)

Register name	Field	Bits	Type	Purpose
SWTMOD	FDEVSPREAD	0	r/w	Switching Mode Configuration Register Deviation Frequency f_{DEV} definition: 0_B , (default) $\pm 20\%$ of f_{SW} 1_B , $\pm 10\%$ of f_{SW}
	FMSPREAD	1	r/w	Frequency Modulation Frequency f_{FM} definition: 0_B , (default) 12 kHz 1_B , 18 kHz
	ENSPREAD	2	r/w	Enable Spread Spectrum feature: 0_B , Spread Spectrum modulation disabled 1_B , (default) Spread Spectrum modulation enabled
DVCCTRL	IDLE	0	r/w	Device Control Register IDLE mode configuration bit: 0_B , ACTIVE mode (default) 1_B , IDLE mode
	SWRST	1	r/w	Software reset bit: 0_B , (default) normal operation 1_B , execute reset command
	CLRLAT	2	r/w	Clear Latch bit: 0_B , (default) normal operation 1_B , execute CLRLAT command
MFSSETUP1_C H1, 2	LEDCHAIN_CH1 , 2	3:0	r/w	Multifloat Switch and Short Circuit configuration Register Short circuit threshold and MFS ratio bits: change the $V_{VFB1,2_S2G}$ threshold and set the MFS jump ratio 0001_B , smallest Value 1 Step 0010_B , (default) 2 Steps 1000_B , 8 Steps 1111_B , 15 Steps 0000_B , largest Value 16 Steps
	EOMFS_CH1, 2	4	r	End of MFS routine bits: 0_B , (default) MFS routine not completed, not successfully performed or never run. 1_B , MFS routine successfully performed (is reset to 0_B when $SOMFS_CH1, 2$ is set to 1_B).
	SOMFS_CH1, 2	5	r/w	Start of MFS routine bits: 0_B , (default) MFS routine not activated 1_B , MFS routine activated
	EA_IOUT_MFS_ CH1, 2	6	r/w	Bit to decrease the saturation current of the error amplifier (A4) in current mode control loop only during MFS routine: 0_B , (default) inactive 1_B , active: error amplifier current reduced to 20%

Serial Peripheral Interface (SPI)

Table 16 Register description (cont'd)

Register name	Field	Bits	Type	Purpose
MFSSETUP2_CH1, 2	MFSDLY_CH1, 2	7:0	r/w	Multifloatswitch configuration register 2 (delay time programming) 00000000 _B , smallest delay time in respect to f_{SW} 11111111 _B , largest delay time in respect to f_{SW} 10000000 _B , (default) delay time in respect to f_{SW}
CURRMON_CH1, 2	LEDCURR_CH1, 2	1:0	r	Current Monitor Register Status of the LED Current bits: 00 _B , (default) LED current between Target and +25% 01 _B , LED current above +25% of Target 10 _B , LED current between Target and -25% 11 _B , LED current below -25% of Target
	EOMON_CH1, 2	2	r	End of LED/Input Current Monitoring bits: 0 _B , (default) Current monitoring routine not completed, not successfully performed or never run. 1 _B , Current Monitor routine successfully performed (is reset to 0 _B when SOMON_CH1, 2 is set to 1 _B)
	SOMON_CH1, 2	3	r/w	Start of LED/Input Current Monitoring bits: 0 _B , (default) Current monitor routine not started 1 _B , Start of the current monitor routine
	IOUTMON_CH1, 2	4	r/w	IOUTMON1,2/SH2GND1,2 pin configuration bit: 0 _B , (default) Pin may be configured as short to ground flag according MODE1,2 pin status 1 _B , Pin is configured as Output current monitor

Serial Peripheral Interface (SPI)

Table 16 Register description (cont'd)

Register name	Field	Bits	Type	Purpose
FAULTS_CH1, 2	SHRTLED_CH1, 2	0	r	Detailed Fault and Diagnosis Registers Shorted Load Diagnosis Bit: 0 _B , Short circuit condition not detected since last readout 1 _B , Short circuit condition detected since last readout This bit is latched and automatically cleared after a FAULTS_CH1,2 register reading
	OL_CH1, 2	1	r	Open Load in ON state Diagnosis Bit: 0 _B , Open load condition not detected since last readout 1 _B , Open load condition detected since last readout This bit is latched and automatically cleared after a FAULTS_CH1,2 register reading
	OUTOV_CH1, 2	2	r	Output overvoltage Monitor Bit: 0 _B , Output overvoltage not detected since last readout 1 _B , Output overvoltage detected since last readout This bit is latched and automatically cleared after a FAULTS_CH1,2 register reading (default condition if OUTOVLAT_CH1,2 is not set). See Chapter 10.2.2 for further details.
	REGUMODFB_CH 1, 2	3	r	Feedback of Regulation Mode Bits: 0 _B , Buck 1 _B , Boost
	OUTOVLAT_CH1, 2	4	r/w	Output latch after overvoltage error enable Bit: 0 _B , (default) gate driver outputs are autorestarting after an overvoltage event 1 _B , gate drivers are latched low (output Mos are High Impedance) and bit OUTOV_CH1,2 is latched after an overvoltage event until a CLRLAT command
	OUTOC_CH1, 2	7	r	Output overcurrent Monitor Bit: 0 _B , Output overcurrent not detected since last readout 1 _B , Output overcurrent detected since last readout This bit is latched and automatically cleared after a FAULTS_CH1,2 register reading

Serial Peripheral Interface (SPI)

Table 16 Register description (cont'd)

Register name	Field	Bits	Type	Purpose
LOOPCTRL_CH 1, 2	ENCAL_CH1, 2	0	r/w	Loop Control Register Enable automatic output current calibration Bits of CH1,2: 0 _B , (default) DAC of CH1,2 takes CALIBVAL_CH1, 2 from SPI registers 1 _B , DAC of CH1,2 takes CALIBVAL_CH1, 2 from last completed automatic calibration procedure; SOCAL_CH1, 2 bits can be set.
	PWM_1, 2	7	r/w	Bits to enable/disable the gate drivers of the main switches (gate driver resulting status is the OR function with the PWM1,2 pins value): 0 _B , (default) disable 1 _B , enable

Application Information

13 Application Information

Note: The following information is given as a hint for the implementation of the device only and shall not be regarded as a description or warranty of a certain functionality, condition or quality of the device.

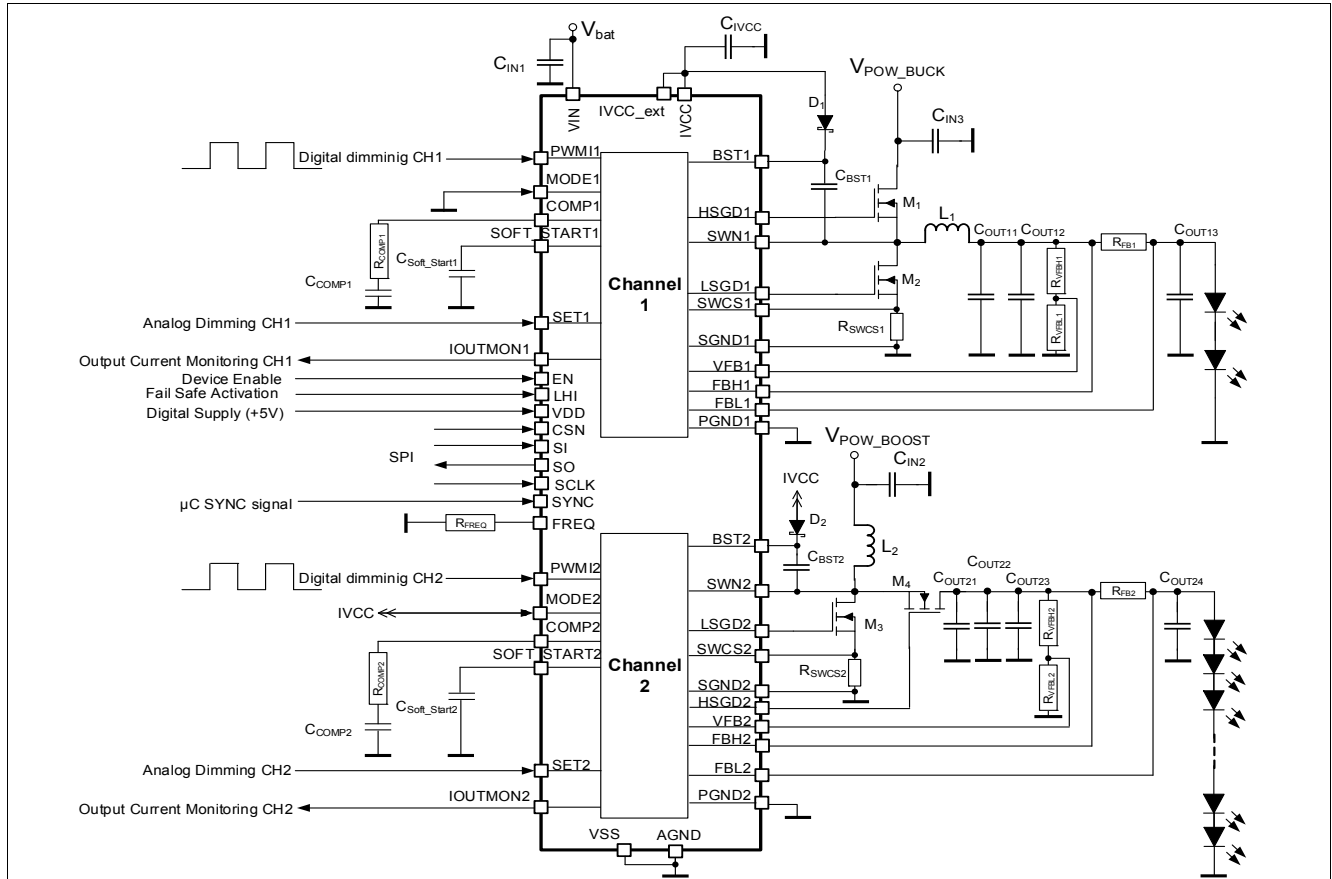


Figure 38 Application Drawing - TLD5541-2QV one channel as BUCK and one as BOOST current regulator

Table 17 BOM - TLD5541-2QV one channel as BUCK and one as BOOST current regulator

Reference Designator	Value	Manufacturer	Part Number	Type
D_1, D_2	BAT46WJ	--	BAT46WJ	Diode
C_{IN2}, C_{IN3}	4.7 μ F, 100 V	EPCOS	X7R	Capacitor
C_{COMP1}, C_{COMP2}	22n F, 16 V	EPCOS	X7R	Capacitor
$C_{SOFT_START1}, C_{SOFT_START2}$	22 nF, 16 V	EPCOS	X7R	Capacitor
$C_{OUT11}, C_{OUT21}, C_{OUT23}, C_{OUT22}$	4.7 μ F, 60 V	EPCOS	X7R	Capacitor
$C_{IN1}, C_{OUT12}, C_{OUT13}, C_{OUT24}$	100 nF, 60 V	EPCOS	X7R	Capacitor
C_{IVCC}	10 μ F, 16 V	EPCOS	X7R	Capacitor
C_{BST1}, C_{BST2}	100 nF, 16 V	EPCOS	X7R	Capacitor
IC_1	--	Infineon	TLD5541-2QV	IC

Application Information

Table 17 BOM - TLD5541-2QV one channel as BUCK and one as BOOST current regulator

Reference Designator	Value	Manufacturer	Part Number	Type
L_1, L_2	10 μ H	Coilcraft	XAL1010-103MEC	Inductor
R_{FB1}	0.050 Ω , 1%	Panasonic	--	Resistor
R_{FB2}	0.150 Ω , 1%	Panasonic	--	Resistor
R_{VFBL1}, R_{VFBL2}	1.5 k Ω , 1%	Panasonic	--	Resistor
R_{VFBH1}, R_{VFBH2}	56 k Ω , 1%	Panasonic	--	Resistor
R_{COMP1}	0 Ω , 5%	Panasonic	--	Resistor
R_{COMP2}	2 k Ω , 5%	Panasonic	--	Resistor
R_{FREQ}	37.4 k Ω , 1%	Panasonic	--	Resistor
R_{SWCS1}, R_{SWCS2}	0.005 Ω , 1%	Panasonic	ERJB1CFR05U	Resistor
M_1, M_2	Dual MOSFET: 100 V / 26 m Ω N-ch	Infineon	IPG20N06S4L-26	Transistor
M_3, M_4	Dual MOSFET: 100 V / 14 m Ω N-ch	Infineon	IPG20N06S4L-14	Transistor

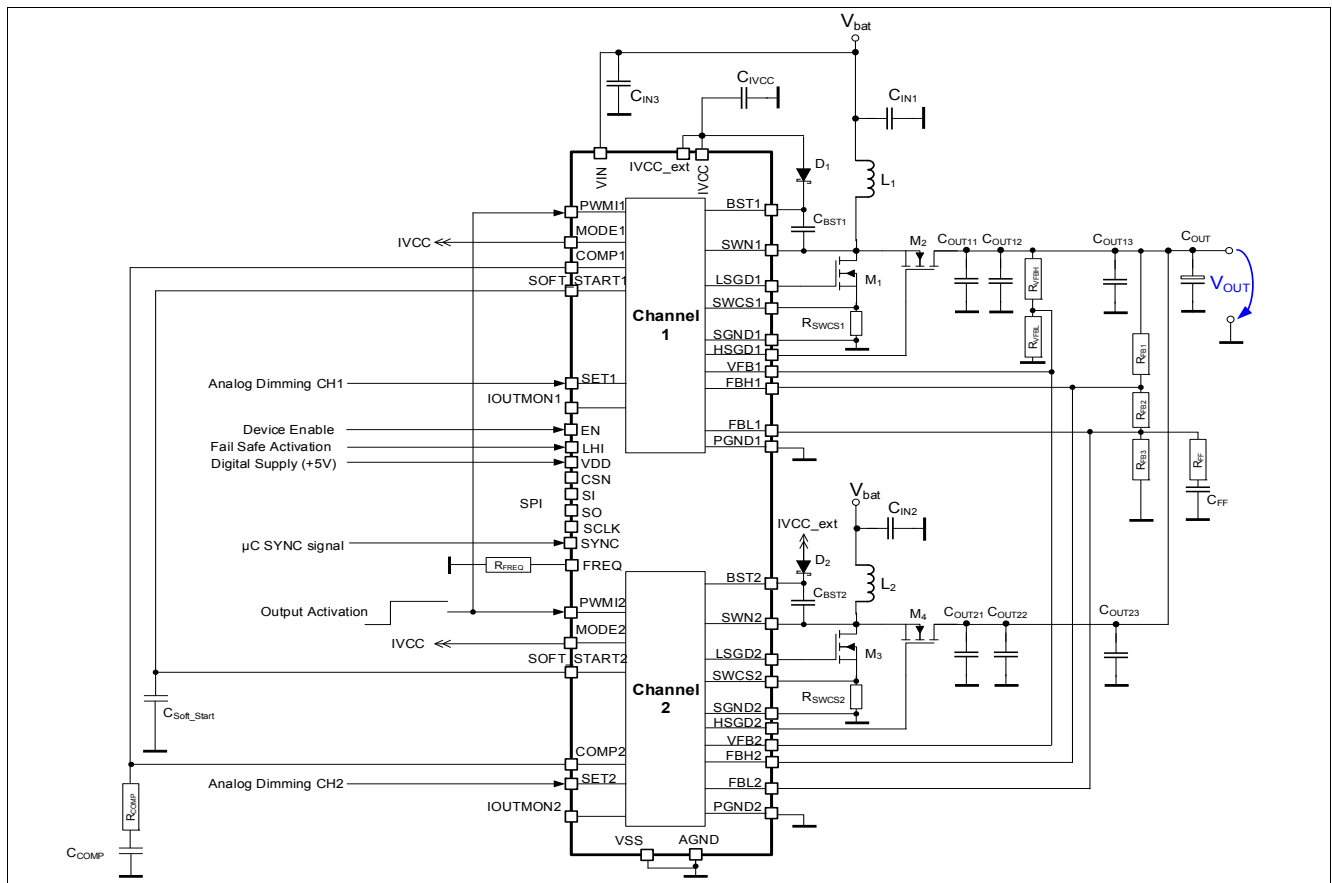


Figure 39 Application Drawing - TLD5541-2QV as BOOST voltage regulator parallel channels

Application Information

Table 18 BOM - TLD5541-2QV as BOOST voltage regulator with parallel channels

Reference Designator	Value	Manufacturer	Part Number	Type
D_1, D_2	BAT46WJ	--	--	Diode
C_{IN1}, C_{IN2}	4.7 μ F, 50 V	EPCOS	X7R	Capacitor
C_{COMP}	47 nF, 16 V	EPCOS	X7R	Capacitor
C_{FF}	22nF, 100 V	EPCOS	X7R	Capacitor
C_{SOFT_START}	22 nF, 16 V	EPCOS	X7R	Capacitor
$C_{OUT11}, C_{OUT21}, C_{OUT12}, C_{OUT22}$	4.7 μ F, 60 V	EPCOS	X7R	Capacitor
$C_{IN3}, C_{OUT13}, C_{OUT23}$	100 nF, 60 V	EPCOS	X7R	Capacitor
C_{OUT}	100 μ F, 80 V	--	Electrolytic	Capacitor
C_{IVCC}	10 μ F, 16 V	EPCOS	X7R	Capacitor
C_{BST1}, C_{BST2}	100 nF, 16 V	EPCOS	X7R	Capacitor
IC_1	--	Infineon	TLD5541-2QV	IC
L_{OUT1}, L_{OUT2}	10 μ H	Coilcraft	XAL1010-103MEC	Inductor
$R_{FB1}, R_{FB2}, R_{FB3}$	0, 150 Ω , 48k Ω 1%	Panasonic	--	Resistor
R_{VFB1}, R_{VFBH}	1.5 k Ω , 56 k Ω , 1%	Panasonic	--	Resistor
R_{COMP}, R_{FF}	1 k Ω	Panasonic	--	Resistor
R_{FREQ}	37.4 k Ω , 1%	Panasonic	--	Resistor
R_{SWCS1}, R_{SWCS2}	0.005 Ω , 1%	Panasonic	ERJB1CFR05U	Resistor
M_1, M_2, M_3, M_4	Dual MOSFET: 100 V / 14 m Ω N-ch	Infineon	IPG20N06S4L-14	Transistor

Application Information

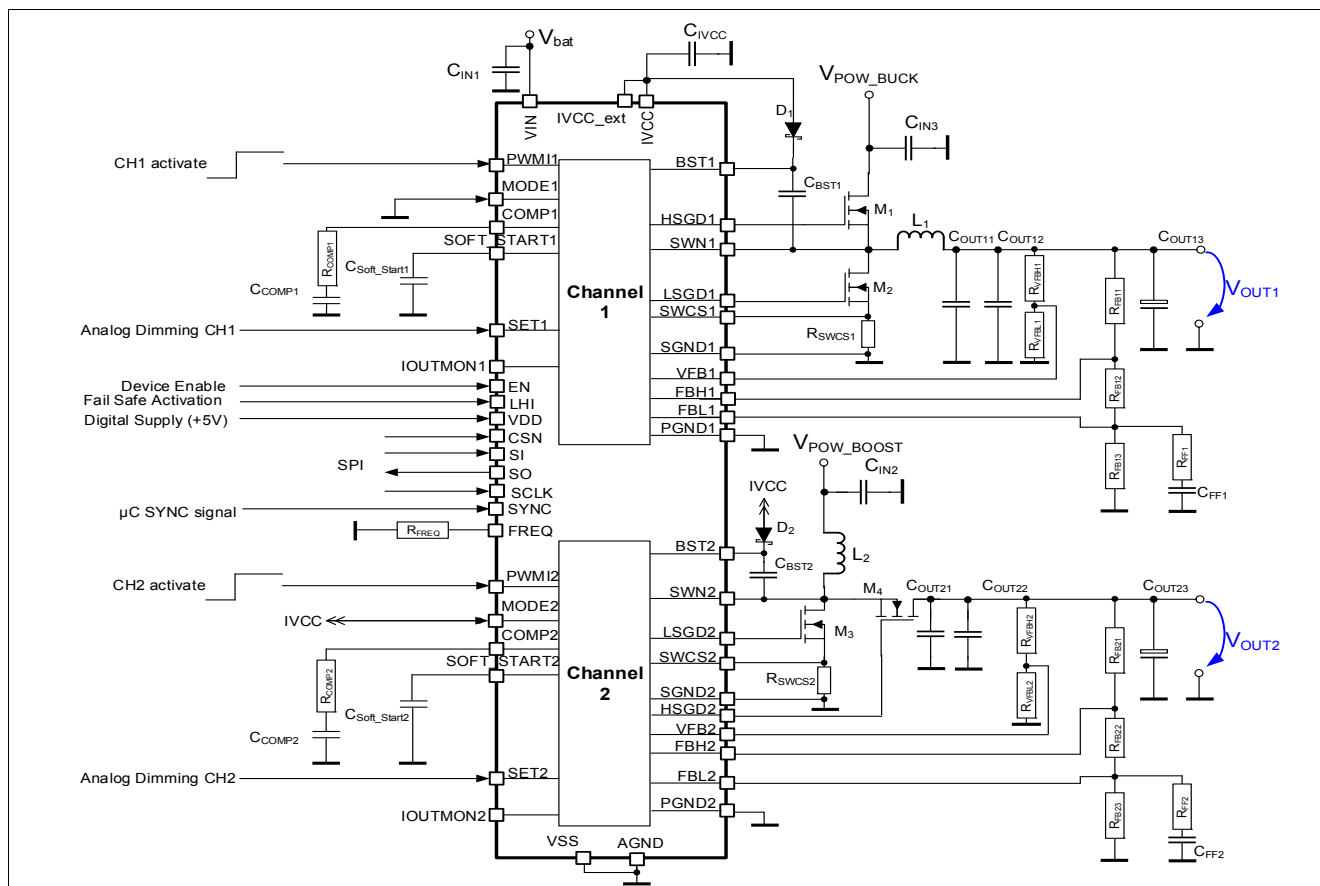


Figure 40 Application Drawing - TLD5541-2QV one channel as BUCK and one as BOOST voltage regulator

Table 19 BOM - TLD5541-2QV one channel as BUCK and one as BOOST voltage regulator

Reference Designator	Value	Manufacturer	Part Number	Type
D_1, D_2	BAT46WJ	--	--	Diode
C_{IN1}, C_{IN2}	4.7 μ F, 50 V	EPCOS	X7R	Capacitor
C_{COMP1}, C_{COMP2}	22 nF, 16 V	EPCOS	X7R	Capacitor
C_{FF1}	68nF, 50V	EPCOS	X7R	Capacitor
C_{FF2}	22nF, 100V	EPCOS	X7R	Capacitor
$C_{SOFT_START1}, C_{SOFT_START2}$	22 nF, 16 V	EPCOS	X7R	Capacitor
$C_{OUT11}, C_{OUT21}, C_{OUT12}, C_{OUT22}$	4.7 μ F, 60 V	EPCOS	X7R	Capacitor
C_{OUT13}, C_{OUT23}	100 μ F, 80 V	--	Electrolytic	Capacitor
C_{IVCC}	10 μ F, 16 V	EPCOS	X7R	Capacitor
C_{BST1}, C_{BST2}	100 nF, 16 V	EPCOS	X7R	Capacitor
IC_1	--	Infineon	TLD5541-2QV	IC
L_{OUT1}, L_{OUT2}	10 μ H	Coilcraft	XAL1010-103MEC	Inductor
$R_{FB11}, R_{FB12}, R_{FB13}$	0, 150 Ω , 10k Ω 1%	Panasonic	--	Resistor
$R_{FB21}, R_{FB22}, R_{FB23}$	0, 150 Ω , 48k Ω 1%	Panasonic	--	Resistor
R_{FF1}	470 Ω 1%	Panasonic	--	Resistor

Application Information

Table 19 BOM - TLD5541-2QV one channel as BUCK and one as BOOST voltage regulator

Reference Designator	Value	Manufacturer	Part Number	Type
R_{VFBL1}, R_{VFBH1}	1.5 k Ω , 12 k Ω , 1%	Panasonic	--	Resistor
R_{VFBL2}, R_{VFBH2}	1.5 k Ω , 56 k Ω , 1%	Panasonic	--	Resistor
R_{COMP1}	0 Ω		--	Resistor
R_{COMP2}, R_{FF2}	2 k Ω	Panasonic	--	Resistor
R_{FREQ}	37.4 k Ω , 1%	Panasonic	--	Resistor
R_{SWCS1}, R_{SWCS2}	0.005 Ω , 1%	Panasonic	ERJB1CFR05U	Resistor
M_1, M_2, M_3, M_4	Dual MOSFET: 100 V / 26 m Ω N-ch	Infineon	IPG20N06S4L-26	Transistor

Application Information

13.1 Further Application Information

- For further information you may contact <http://www.infineon.com/>

14 Package Outlines

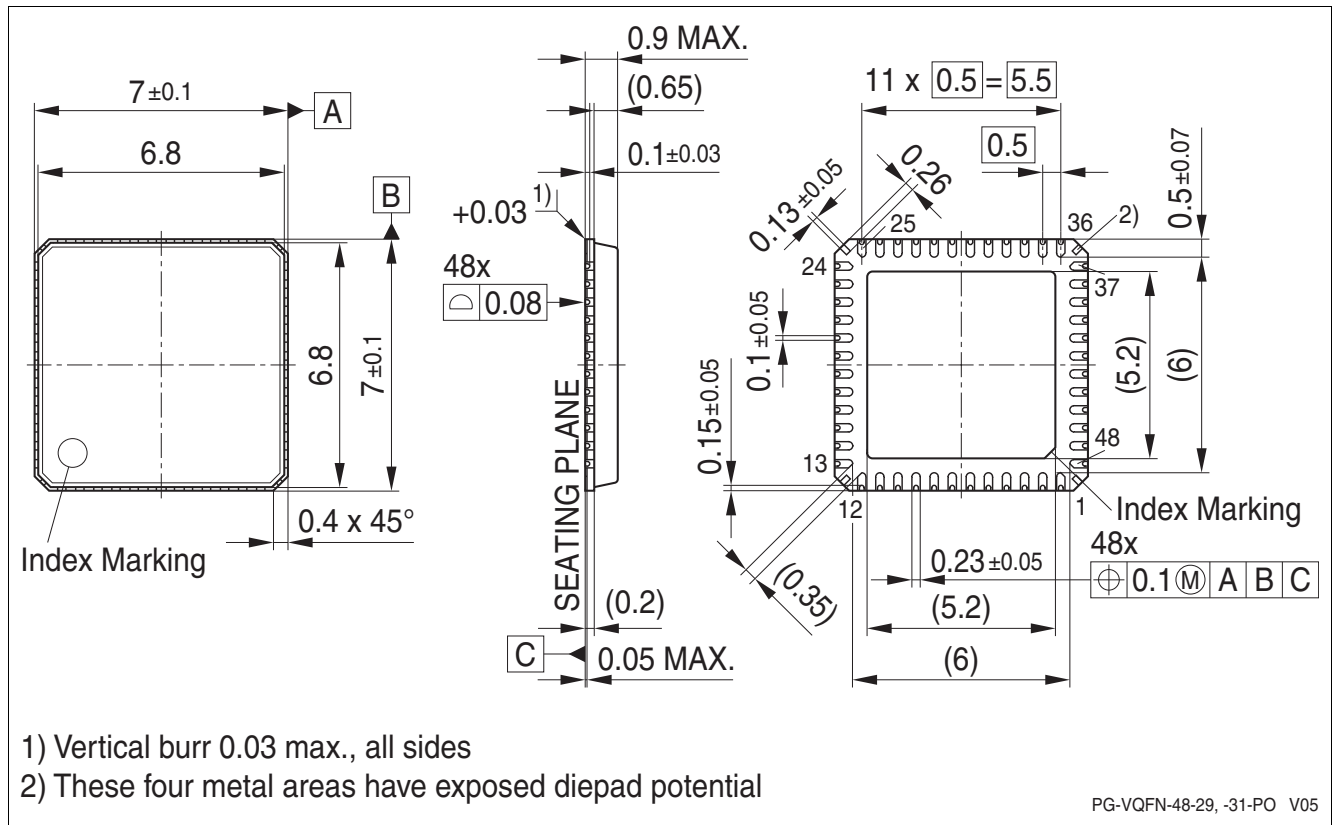


Figure 41 PG-VQFN-48-31 (with LTI)

Green Product (RoHS compliant)

To meet the world-wide customer requirements for environmentally friendly products and to be compliant with government regulations the device is available as a green product. Green products are RoHS-Compliant (i.e Pb free finish on leads and suitable for Pb-free soldering according to IPC/JEDEC J-STD-020).

Revision History

15 Revision History

Revision	Date	Changes
Rev. 1.00	2017-07-11	Datasheet available

Table of Content

1	Overview	1
2	Block Diagram	3
3	Pin Configuration	4
3.1	Pin Assignment	4
3.2	Pin Definitions and Functions	5
4	General Product Characteristics	9
4.1	Absolute Maximum Ratings	9
4.2	Functional Range	11
4.3	Thermal Resistance	11
5	Power Supply	13
5.1	Different Power States	15
5.2	Different Possibilities to RESET the device	16
5.3	Electrical Characteristics	17
6	Regulator Description	19
6.1	Regulator Diagram Description	19
6.2	Adjustable Soft Start Ramp	21
6.3	Switching Frequency setup	22
6.4	Fast Output Discharge Operation Mode	22
6.5	Flexible current sense (Buck Only)	23
6.6	Programming Output Voltage (Constant Voltage Regulation)	24
6.7	Topologies for Dual Channel SYNC	25
6.8	Electrical Characteristics	26
7	Digital Dimming Function	29
7.1	Description	29
7.2	Electrical Characteristics	31
8	Analog Dimming	32
8.1	Description	32
8.2	LED current calibration procedure	35
8.3	Electrical Characteristics	35
9	Linear Regulator	36
9.1	IVCC Description	36
9.2	Electrical Characteristics	37
10	Protection and Diagnostic Functions	38
10.1	Description	38
10.2	Output Overvoltage, Overcurrent, Open Load, Short circuit protection	39
10.2.1	Short Circuit protection	39
10.2.2	Overvoltage Protection	42
10.2.3	Overcurrent on Load Protection	42
10.2.4	Open Load Detection	43
10.3	Output current Monitoring	43
10.4	Device Temperature Monitoring	44
10.5	Electrical Characteristics	45
11	Infineon FLAT SPECTRUM Feature set	47
11.1	Description	47
11.2	Synchronization Function	47

11.3	Spread Spectrum	48
11.4	EMC optimized schematic	49
11.5	Electrical Characteristics	50
12	Serial Peripheral Interface (SPI)	51
12.1	SPI Signal Description	51
12.2	Daisy Chain Capability	52
12.3	Timing Diagrams	54
12.4	Electrical Characteristics	55
12.5	SPI Protocol	57
12.6	SPI Registers Overview	59
12.6.1	Standard Diagnosis	59
12.6.2	Register structure	62
13	Application Information	68
13.1	Further Application Information	73
14	Package Outlines	74
15	Revision History	75
	Table of Content	76

Trademarks of Infineon Technologies AG

μ HVIC™, μ IPM™, μ PFC™, AU-ConvertIR™, AURIX™, C166™, CanPAK™, CIPOS™, CIPURSE™, CoolDP™, CoolGaN™, COOLiR™, CoolMOS™, CoolSET™, CoolSiC™, DAVE™, DI-POL™, DirectFET™, DrBlade™, EasyPIM™, EconoBRIDGE™, EconoDUAL™, EconoPACK™, EconoPIM™, EiceDRIVER™, eupec™, FCOS™, GaNpowIR™, HEXFET™, HITFET™, HybridPACK™, iMOTION™, IRAM™, ISOFACE™, IsoPACK™, LEDriviR™, LITIX™, MIPAQ™, ModSTACK™, my-d™, NovalithIC™, OPTIGA™, OptiMOS™, ORIGA™, PowIRaudio™, PowIRstage™, PrimePACK™, PrimeSTACK™, PROFET™, PRO-SIL™, RASIC™, REAL3™, SmartLEWIS™, SOLID FLASH™, SPOC™, StrongIRFET™, SupIRBuck™, TEMPFET™, TRENCHSTOP™, TriCore™, UHVIC™, XHP™, XMC™.

Trademarks updated November 2015

Other Trademarks

All referenced product or service names and trademarks are the property of their respective owners.

Edition 2017-07-11

Published by

Infineon Technologies AG

81726 Munich, Germany

© 2017 Infineon Technologies AG.

All Rights Reserved.

Do you have a question about any aspect of this document?

Email: erratum@infineon.com

Document reference (doc_number)

IMPORTANT NOTICE

The information given in this document shall in no event be regarded as a guarantee of conditions or characteristics ("Beschaffheitsgarantie").

With respect to any examples, hints or any typical values stated herein and/or any information regarding the application of the product, Infineon Technologies hereby disclaims any and all warranties and liabilities of any kind, including without limitation warranties of non-infringement of intellectual property rights of any third party.

In addition, any information given in this document is subject to customer's compliance with its obligations stated in this document and any applicable legal requirements, norms and standards concerning customer's products and any use of the product of Infineon Technologies in customer's applications.

The data contained in this document is exclusively intended for technically trained staff. It is the responsibility of customer's technical departments to evaluate the suitability of the product for the intended application and the completeness of the product information given in this document with respect to such application.

For further information on technology, delivery terms and conditions and prices, please contact the nearest Infineon Technologies Office (www.infineon.com).

WARNINGS

Due to technical requirements products may contain dangerous substances. For information on the types in question please contact your nearest Infineon Technologies office.

Except as otherwise explicitly approved by Infineon Technologies in a written document signed by authorized representatives of Infineon Technologies, Infineon Technologies' products may not be used in any applications where a failure of the product or any consequences of the use thereof can reasonably be expected to result in personal injury.

单击下面可查看定价，库存，交付和生命周期等信息

[>>Infineon Technologies\(英飞凌\)](#)