

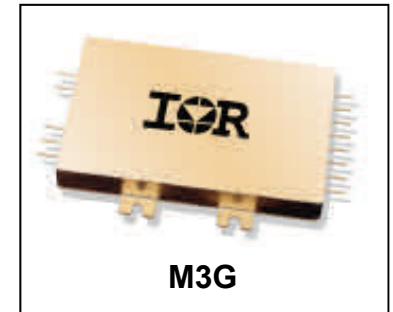
**HYBRID-HIGH RELIABILITY  
RADIATION HARDENED  
DC-DC CONVERTER****28V Input, Triple Output****Description**

The M3G-Series of DC-DC converters are radiation hardened, high reliability converters designed for extended operation in hostile environments. Their small size and low weight make them ideal for applications such as geostationary earth orbit satellites and deep space probes. They exhibit a high tolerance to total ionizing dose, single event effects and environmental stresses such as temperature extremes, mechanical shock, and vibration.

The converters incorporate a fixed frequency single ended forward topology with magnetic feedback and an internal EMI filter. These converters are capable of meeting the conducted emissions and conducted susceptibility requirements of MIL-STD-461C without any additional components. External inhibit and synchronization input and output allow these converters to be easily incorporated into larger power systems. They are enclosed in a hermetic 3" x 2" x 0.475" package constructed of an Aluminum-Silicon-Carbide (AlSiC) base and an Alloy 48 ring frame and they weigh less than 110 grams. The package utilizes rugged ceramic feed-through copper core pins and is sealed using parallel seam welding.

Manufactured in a facility fully qualified to MIL-PRF-38534, these converters are fabricated utilizing DLA Land and Maritime qualified processes. For available screening options, refer to device screening table in the data sheet.

Non-flight versions of the M3G-Series converters are available for system development purposes. Variations in electrical specifications and screening to meet custom requirements can be accommodated.

**Features**

- Total Dose > 200 kRads(Si) typically usable to > 300 kRads(Si)
- SEE Hardened to LET up to 82 MeV.cm<sup>2</sup>/mg
- Internal EMI filter; Converter Capable of meeting MIL-STD-461C CE03
- Low Weight < 110 grams
- Magnetically Coupled Feedback
- 18V to 50V DC Input Range
- Up to 33W Output Power
- Main Output Isolated from Dual Outputs
- High Efficiency - to 80%
- -55°C to +125°C Operating Temperature Range
- 100MΩ @ 500VDC Isolation
- Under-Voltage Lockout
- Synchronization Input and Output
- Short Circuit and Overload Protection
- Output Over Voltage Limiter
- External Inhibit
- > 5,000,000 hour MTBF
- Standard Microcircuit Drawings Available

**Applications**

- Geostationary Earth Orbit Satellites (GEO)
- Deep Space Satellites / Probes
- Strategic Weapons and Communication System

## Circuit Description

The M3G-Series converters utilize a single-ended forward topology with resonant reset. The nominal switching frequency is 500 kHz. Electrical isolation and tight output regulation are achieved through the use of a magnetically coupled feedback. Voltage feed-forward with duty factor limiting provides high line rejection.

An internal EMI filter reduces the conducted emissions to less than 5 mArms on the input power leads. A two-stage output filter reduces the typical output ripple to less than 20mV peak-to-peak

The main (+3.3V) output is regulated by the control loop and typically exhibits better than 1% regulation. The auxiliary ( $\pm 12V$ ) outputs are maintained through tight coupling in the power transformer and main output filter inductor and typically exhibit better than 5% regulation. The main output and auxiliary outputs are isolated from each other.

Output power is limited under any load fault condition to approximately 125% of rated. An overload condition causes the converter output to behave like a constant current source with the output voltage dropping below nominal. The converter will resume normal operation when the load current is reduced below the current limit point. This protects the converter from both overload and short circuit conditions. The current limit point exhibits a slightly negative temperature coefficient to reduce the possibility of thermal runaway.

An under-voltage lockout circuit prohibits the converter from operating when the line voltage is too low to maintain the output voltage. The converter will not start until the line voltage rises to approximately 16.5V and will shut down when the input voltage drops to 15.5V. The one volt of hysteresis reduces the possibility of line noise interfering with the converter's start-up and shut down.

An external inhibit port is provided to control converter operation. The nominal threshold relative to the input return (pin 2) is 1.4V. If 2.0V or greater are applied to the Inhibit pin (pin 3) then the converter will operate normally. A voltage of 0.8V or less will cause the converter to shut-down. The pin may be left open for normal operation and has a nominal open circuit voltage of 4.0V.

Synchronization input and output allow multiple converters to operate at a common switching frequency. Converters can be synchronized to one another or to an externally provided clock. This can be used to eliminate beat frequency noise or to avoid creating noise at certain frequencies for sensitive systems.

## Design Methodology

The M3G-Series was developed using a proven conservative design methodology which includes selecting radiation tolerant and established reliability components and fully de-rating to the requirements of MIL-STD-975 and MIL-STD-1547 except for the CDR type ceramic capacitors, a capacitor with 50V rating is used for in-circuit voltage stress of less than 10V. Careful sizing of decoupling capacitors and current limiting resistors minimizes the possibility of photo-current burn-out. Heavy de-rating of the radiation hardened power MOSFET virtually eliminates the possibility of SEGR and SEB. A magnetic feedback circuit is utilized instead of opto-couplers to minimize temperature, radiation and aging sensitivity. PSpice and Rad Spice were used extensively to predict and optimize circuit performance for both beginning and end-of-life. Thorough design analyses include Radiation Susceptibility (TREE), Worst Case, Stress, Thermal, Failure Modes and Effects (FMEA) and Reliability (MTBF).

## Specifications

Absolute Maximum Ratings		Recommended Operating Conditions	
Input voltage range	-0.5Vdc to +80Vdc	Input Voltage	+18V <sub>DC</sub> to +60V <sub>DC</sub>
Output power	Internally limited	Input Voltage range <sup>1</sup>	+18V <sub>DC</sub> to +50V <sub>DC</sub>
Lead temperature	+300°C for 10 seconds	Output power	0 to Max. Rated
Operating temperature	-55°C to +135°C	Operating temperature <sup>2</sup>	-55°C to +125°C
Storage temperature	-55°C to +135°C	Operating temperature <sup>1</sup>	-55°C to +70°C

<sup>1</sup> Meets de-rating per MIL-STD-975

<sup>2</sup> For operation at +125°C see table Note 14

## Electrical Performance Characteristics

Parameter	Group A Subgroup	Conditions -55°C ≤ T <sub>C</sub> ≤ +85°C V <sub>IN</sub> = 28V DC ± 5%, C <sub>L</sub> = 0 unless otherwise specified	Limits			Unit
			Min	Nom	Max	
Input voltage	1,2,3	Note 2	18	28	50	V
Output voltage (V <sub>OUT</sub> )	1	I <sub>OUT</sub> = 100% rated load, Note 5 (main) (aux.)	3.28 ±11.60	3.30 ±12.00	3.32 ±12.40	V
	2,3	(main) (aux.)	3.24 ±11.40		3.36 ±12.60	
Output power (P <sub>OUT</sub> )	1,2,3	V <sub>IN</sub> = 18, 28, 50 Volts, Note 2	0		33.2	W
Output current (I <sub>OUT</sub> )	1,2,3	V <sub>IN</sub> = 18, 28, 50 Volts, Notes 2,3,4,5 (main) (aux.)	400 83		4000 ±833	mA
Line regulation (VR <sub>LINE</sub> )	1,2,3	V <sub>IN</sub> = 18, 28, 50 Volts I <sub>OUT</sub> = 10, 50%, 100% rated load, Note 5 (main) (aux.)	-10 -120		10 120	mV
Load regulation (VR <sub>LOAD</sub> )	1,2,3	V <sub>IN</sub> = 18, 28, 50 Volts I <sub>OUT</sub> = 10, 50%, 100% rated load, Note 5,13 (main) (aux.)	-30 -400		30 400	mV
Cross regulation (VR <sub>CROSS</sub> )	1,2,3	V <sub>IN</sub> = 18, 28, 50 Volts I <sub>OUT</sub> = 2.5A to 1.0A and 2.5A to 4.0A on main and ±half rated on aux. outputs	-3.5		3.5	%
Input current (I <sub>IN</sub> )	1,2,3	I <sub>OUT</sub> = 0, Pin 3 open			80	mA
		Pin 3 shorted to pin 2			5	
Output ripple (V <sub>RIP</sub> )	1,2,3	V <sub>IN</sub> = 18, 28, 50 Volts I <sub>OUT</sub> = 100% rated load, Notes 5, 6 (main) (aux.)		20 30	30 60	mVp-p
Switching frequency (F <sub>S</sub> )	1,2,3	Sync. Input (Pin 4) open	450	500	550	kHz

For Notes to Electrical Performance Characteristics, refer to page 5

**Electrical Performance Characteristics (continued)**

Parameter	Group A Subgroup	Conditions -55°C ≤ T <sub>C</sub> ≤ +85°C V <sub>IN</sub> = 28V DC ± 5%, C <sub>L</sub> = 0 unless otherwise specified	Limits			Unit
			Min	Nom	Max	
Efficiency (E <sub>FF</sub> )	1,2,3	I <sub>OUT</sub> = 100% rated load, Note 5	72	75		%
Inhibit input open circuit voltage drive current (sink) voltage range	1,2,3	Note 1	3.0 -0.5		5.0 100 50	V μA V
Synchronization input frequency range pulse high level pulse low level pulse transition time pulse duty cycle	1,2,3	Ext. Clock on Sync. input (Pin 4) Note 1	450 4.0 -0.5 40 20		600 10.0 0.5 80	kHz V V V/μs %
Current limit point Expressed as a percentage of full rated output power	1,2 3	V <sub>OUT</sub> = 90% of Nominal, Note 5			135 150	%
Power dissipation, load fault (P <sub>D</sub> )	1,2,3	Short Circuit, Overload, Note 8			20	W
Output response to step load changes (V <sub>TLD</sub> )	4,5,6	Half load to/from full load, Notes 5,9	-300		300	mVpk
Recovery time, step load changes (T <sub>TLD</sub> )	4,5,6	Half load to/from full load, Note 5,9,10			100	μs
Output response to step line changes (V <sub>TLN</sub> )	4,5,6	18V to/from 50V I <sub>OUT</sub> = 100% rated load, Notes 1,5,11	-300		300	mVpk
Recovery time, step line changes (T <sub>TLN</sub> )	4,5,6	18V to/from 50V I <sub>OUT</sub> = 100% rated load, Notes 1,5,10,11			100	μs
Turn-on response Overshoot (V <sub>OS</sub> ) Turn-on delay (T <sub>DLY</sub> )	4,5,6	No load, full load, Notes 5,12 (main) (aux.)	1.0		500 750 5.0	mV mV ms
Capacitive load (C <sub>L</sub> )	1	I <sub>OUT</sub> = 100% rated load, No effect on DC performance, Notes 1, 5, 7 (main) (Each aux. output)			1000 200	μF
Line rejection	1	I <sub>OUT</sub> = 100% rated load DC to 50 kHz, Notes 1, 5	40	60		dB
Isolation	1	Input to output or any pin to case except pin 10, test @ 500VDC	100			MΩ
Device weight					110	g
MTBF		MIL-HDBK-217F2, SF, 35°C	5 x 10 <sup>6</sup>			Hrs

For Notes to Electrical Performance Characteristics, refer to page 5

**Notes: Electrical Performance Characteristics Table**

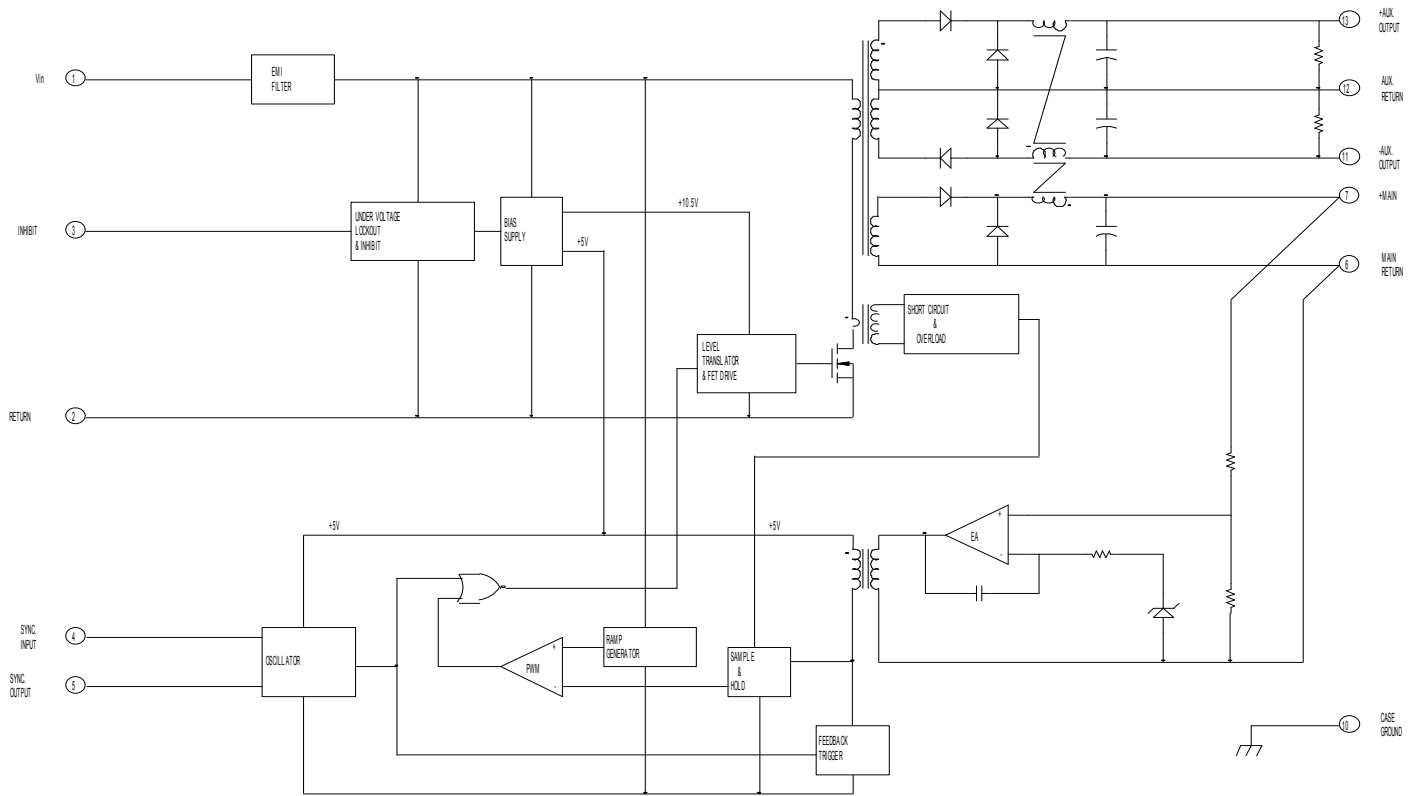
1. Parameter is tested as part of design characterization or after design changes. Thereafter, parameter shall be guaranteed to the limits specified.
2. Parameter verified during line and load regulation tests.
3. Although operation with no load is permissible, light loading on the main output may cause the output voltage of the auxiliary outputs to drop out of regulation. It is therefore recommended that at least 200mA or 20 percent of the total output power, whichever is greater, be taken from the main output.
4. Although operation with no load is permissible, heavy loading on the main output may cause the output voltage of the auxiliary outputs to rise out of regulation. It is therefore recommended that at least 50mA or 20 percent of the total output power, whichever is greater, be taken from the auxiliary ( $\pm 12$  volts) output.
5. Unless otherwise specified, "Rated" load is 13.2W on the main output and 10W each on the auxiliary outputs.
6. Guaranteed for a D.C. to 20 MHz bandwidth. Tested using a 20 kHz to 10 MHz bandwidth.
7. Capacitive load may be any value from 0 to the maximum limit without compromising dc performance. A capacitive load in excess of the maximum limit may interfere with the proper operation of the converter's overload protection, causing erratic behavior during turn-on.
8. Overload power dissipation is defined as the device power dissipation with the load set such that  $V_{OUT} = 90\%$  of nominal.
9. Load step transition time  $\geq 10\mu s$ .
10. Recovery time is measured from the initiation of the transient to where  $V_{OUT}$  has returned to within  $\pm 1\%$  of its steady state value.
11. Line step transition time  $\geq 100\mu s$ .
12. Turn-on delay time from either a step application of input power or a logic low to a logic high transition on the inhibit pin (pin 3) to the point where  $V_{OUT} = 90\%$  of nominal.
13. Load is varied for output under test while the remaining outputs are loaded at 50% of rated. Regulation relative to output voltage at 50% rated load.
14. Although operation at temperatures between  $+85^{\circ}C$  and  $+125^{\circ}C$ , is guaranteed, no parametric limits are specified.

**Radiation Performance Characteristics**

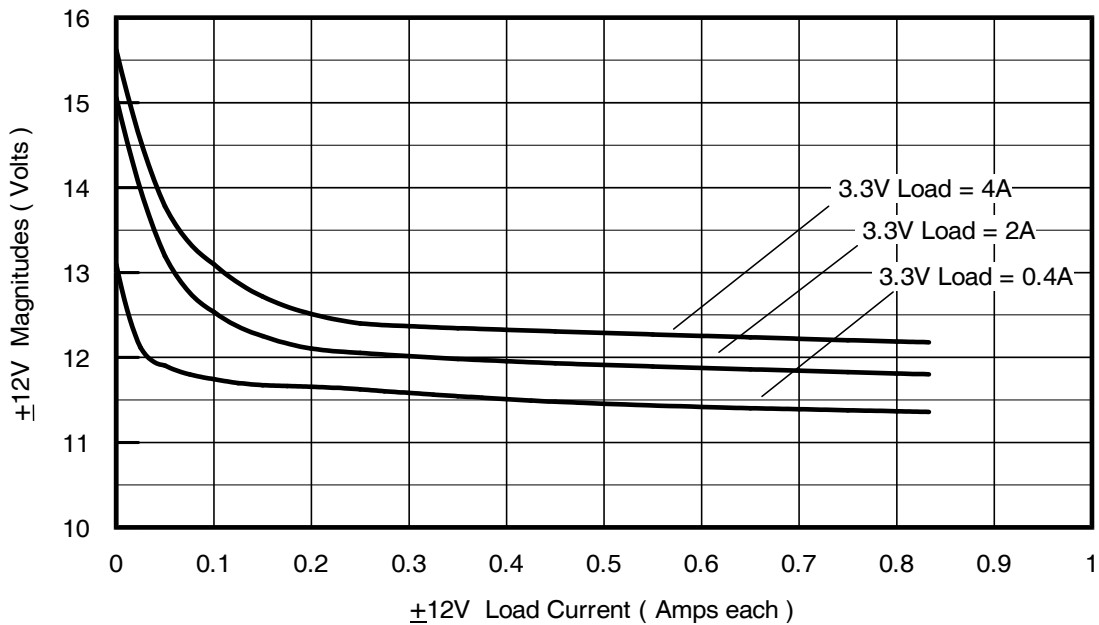
Test	Conditions	Min	Typ	Unit
Total Ionizing Dose (Gamma)	MIL-STD-883, Method 1019 Operating bias applied during exposure, Full Rated Load, $V_{IN} = 28V$	200	300	kRads (Si)
Dose Rate (Gamma Dot) Temporary Saturation Survival	MIL-STD-883, Method 1023 Operating bias applied during exposure, Full Rated Load, $V_{IN} = 28V$	1E8 4E10	1E11	Rads (Si)/sec
Neutron Fluence	MIL-STD-883, Method 1017	8E12	1E13	Neutrons/cm <sup>2</sup>
Single Event Effects SEU, SEL, SEGR, SEB	Heavy ions (LET) Operating bias applied during exposure, Full Rated Load, $V_{IN} = 18V$ <b>Test lab: Brookhaven National Laboratory, Tandem Van de Graaff Generator</b>	82		MeV.cm <sup>2</sup> /mg

IR HiRel currently does not have a DLA Land and Maritime certified Radiation Hardness Assurance Program.

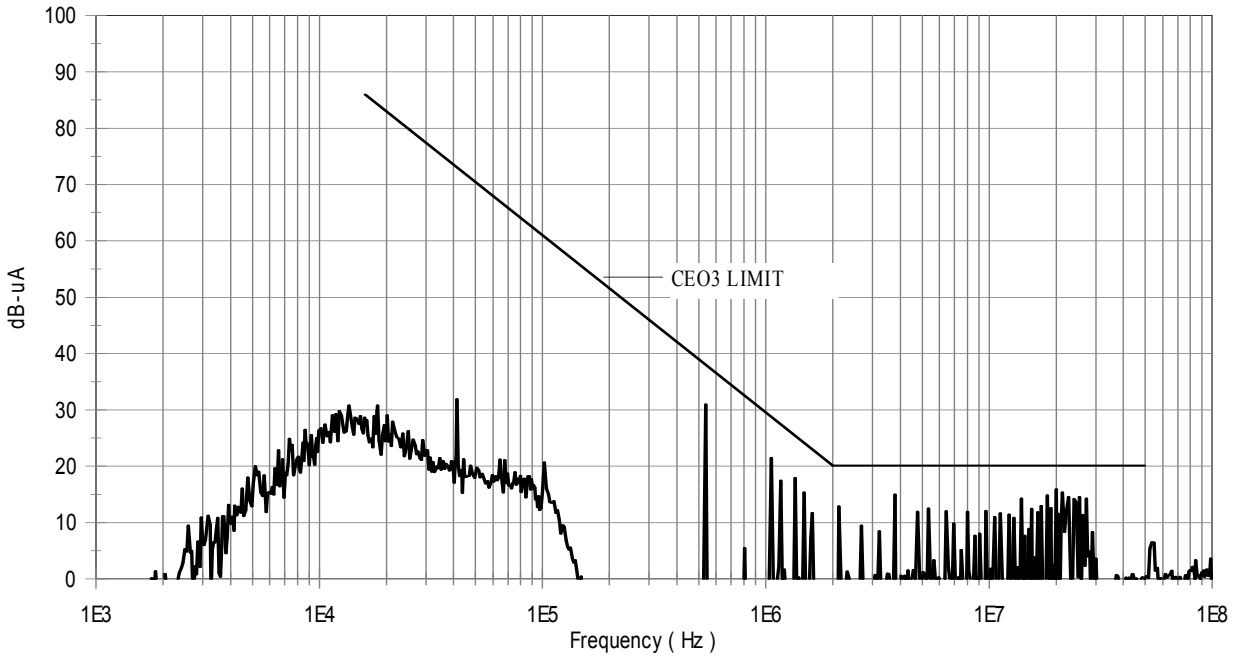
**Fig 1. Block Diagram**



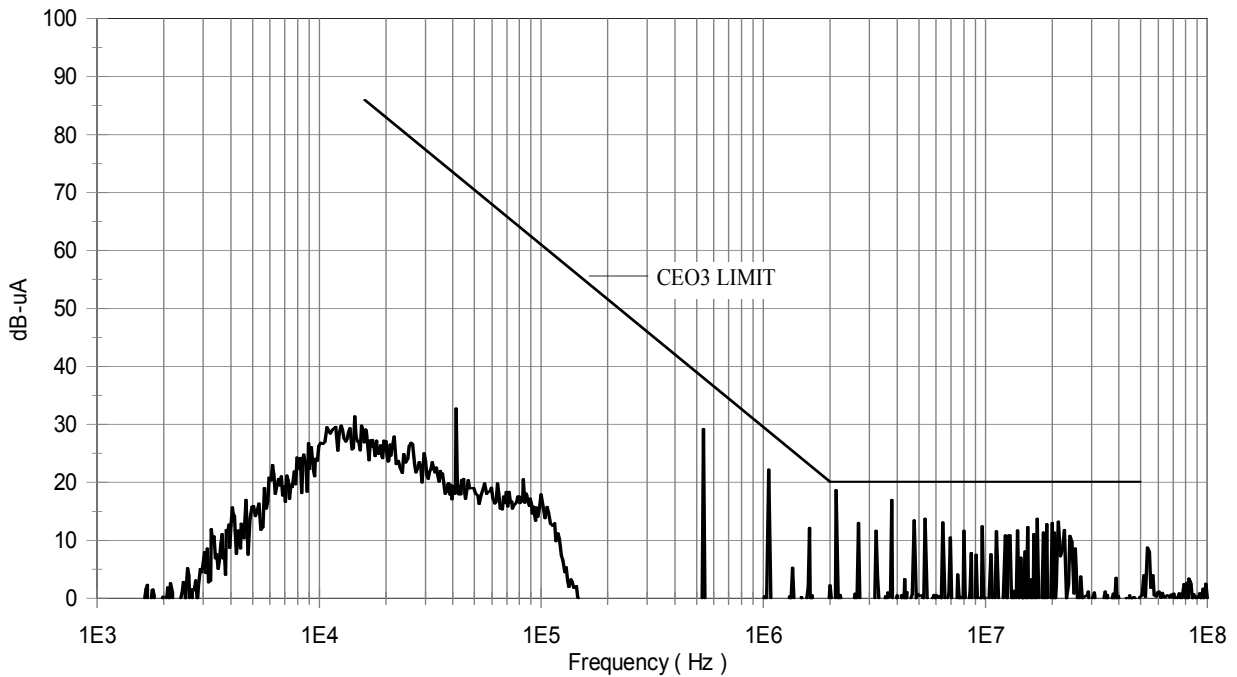
**Fig 2. ±12V Load Regulation vs 3.3V Load**



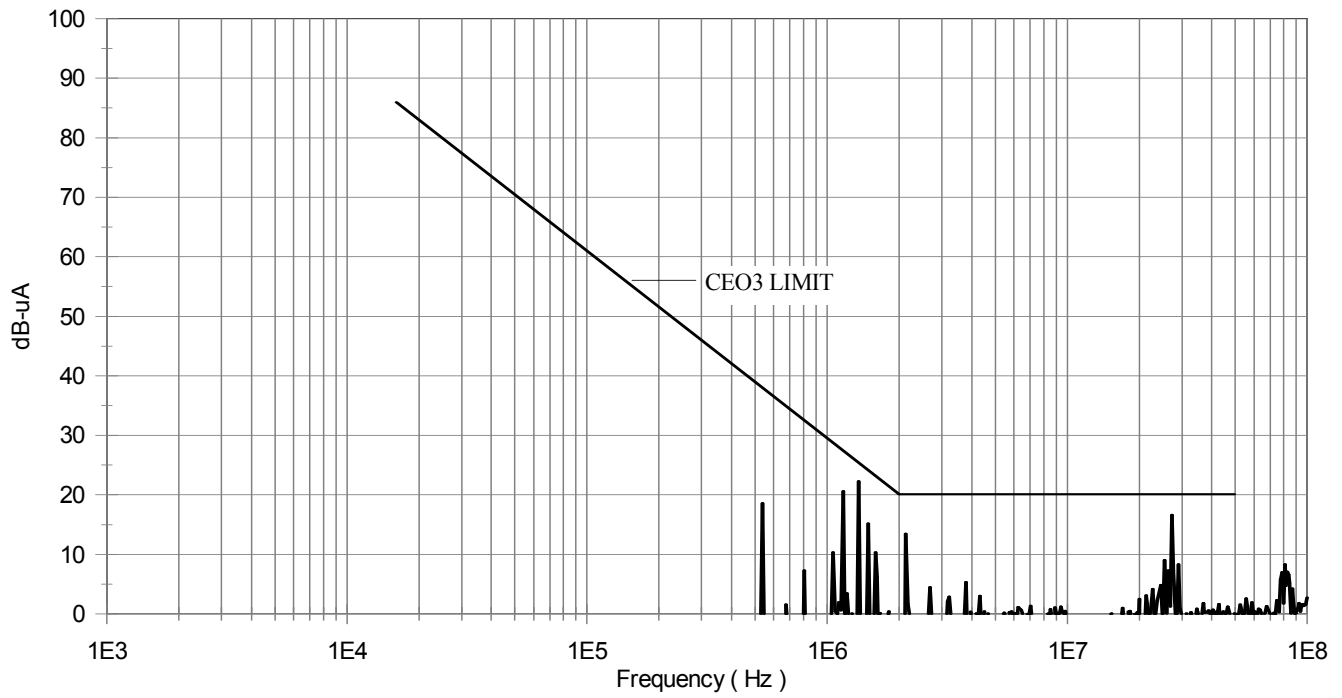
**Fig 3. Conducted Emissions, Positive Lead**



**Fig 4. Conducted Emissions, Return Lead**

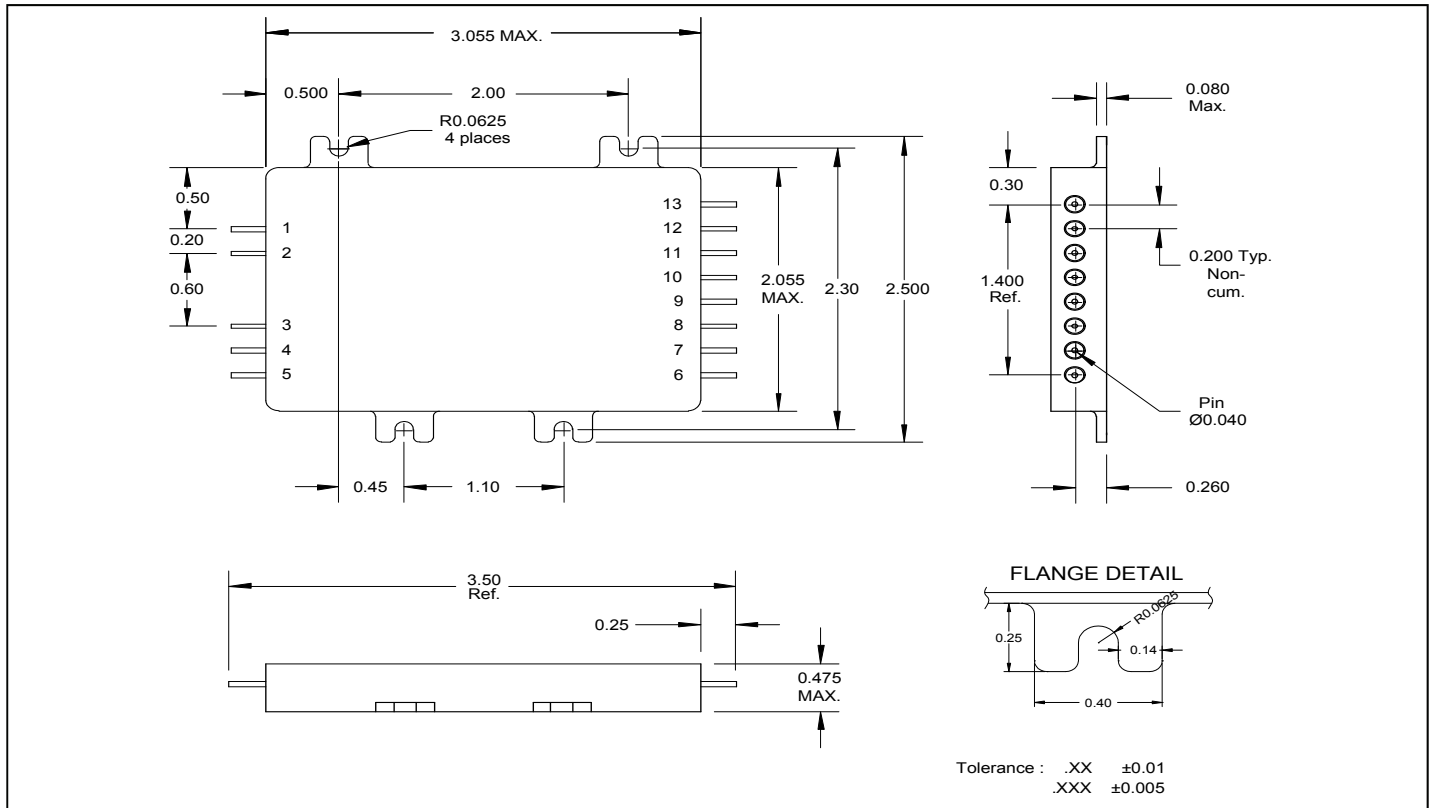


**Fig 5. Conducted Emissions, Common Mode**





**Mechanical Outline**



**Pin Designation**

Pin #	Designation	Pin #	Designation
1	+ Input	8	NC
2	Input Return	9	NC
3	Inhibit	10	Case Ground
4	Sync. Input	11	- Aux. Output
5	Sync. Output	12	Aux. Output Return
6	Main Return	13	+ Aux. Output
7	+ Main Output		

**Standard Microcircuit Drawing Equivalence Table**

Standard Microcircuit Drawing Number	IR Standard Part Number
5962-11221	M3G2803R312T

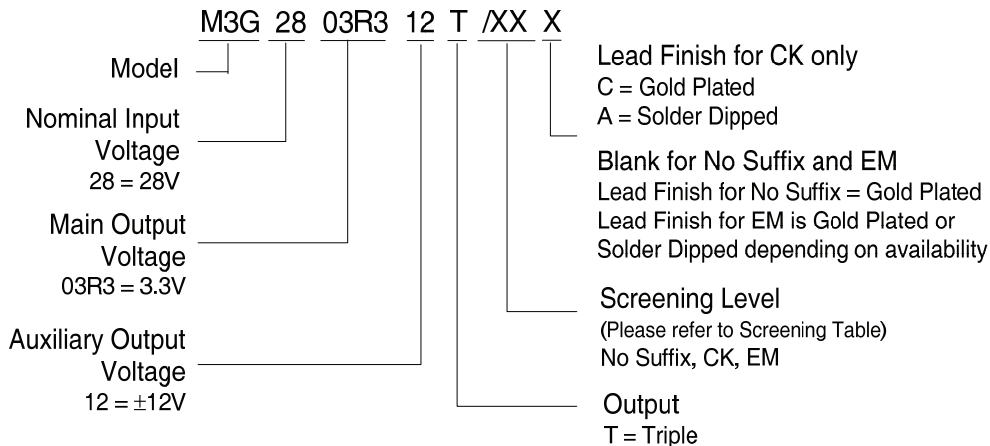
**Device Screening**

Requirement	MIL-STD-883 Method	No Suffix ②	CK ②	EM ③
Temperature Range	—	-55°C to +85°C	-55°C to +85°C	-55°C to +85°C
Element Evaluation	MIL-PRF-38534	Class K	Class K	N/A
Non-Destructive Bond Pull	2023	Yes	Yes	N/A
Internal Visual	2017	Yes	Yes	①
Temperature Cycle	1010	Cond C	Cond C	Cond C
Constant Acceleration	2001, Y1 Axis	3000 Gs	3000 Gs	3000 Gs
PIND	2020	Cond A	Cond A	N/A
Burn-In	1015	320 hrs @ 125°C (2 x 160 hrs)	320 hrs @ 125°C (2 x 160 hrs)	48 hrs @ 125°C
Final Electrical (Group A)	MIL-PRF-38534 & Specification	-55°C, +25°C, +85°C	-55°C, +25°C, +85°C	-55°C, +25°C, +85°C
PDA	MIL-PRF-38534	2%	2%	N/A
Seal, Fine and Gross	1014	Cond A, C	Cond A, C	Cond A
Radiographic	2012	Yes	Yes	N/A
External Visual	2009	Yes	Yes	①

**Notes:**

- ① Best commercial practice.
- ② CK is a DLA Land and Maritime (formerly DSCC) part marking used to designate a Class K compliant hybrid. The CK marking does not indicate the hybrid is radiation certified. No Suffix is a radiation rated device but not available as a DLA Land and Maritime qualified SMD per MIL-PRF-38534.
- ③ Any Engineering Model (EM) build with the “EM” Suffix shall only be form, fit and functional equivalent to its Flight Model (FM) counterpart, and it may not meet the radiation performance. The EM Model shall not be expected comply with MIL-PRF-38534 flight quality/workmanship standards, and configuration control. An EM build may use electrical equivalent commercial grade components. IR HiRel will provide a list of non-compliance items upon request.

**Part Numbering**



### **IMPORTANT NOTICE**

The information given in this document shall be in no event regarded as guarantee of conditions or characteristic. The data contained herein is a characterization of the component based on internal standards and is intended to demonstrate and provide guidance for typical part performance. It will require further evaluation, qualification and analysis to determine suitability in the application environment to confirm compliance to your system requirements.

With respect to any example hints or any typical values stated herein and/or any information regarding the application of the product, Infineon Technologies hereby disclaims any and all warranties and liabilities of any kind including without limitation warranties on non- infringement of intellectual property rights and any third party.

In addition, any information given in this document is subject to customer's compliance with its obligations stated in this document and any applicable legal requirements, norms and standards concerning customer's product and any use of the product of Infineon Technologies in customer's applications.

The data contained in this document is exclusively intended for technically trained staff. It is the responsibility of any customer's technical departments to evaluate the suitability of the product for the intended applications and the completeness of the product information given in this document with respect to applications.

For further information on the product, technology, delivery terms and conditions and prices, please contact your local sales representative or go to ([www.infineon.com/hirel](http://www.infineon.com/hirel)).

### **WARNING**

Due to technical requirements products may contain dangerous substances. For information on the types in question, please contact your nearest Infineon Technologies office.

单击下面可查看定价，库存，交付和生命周期等信息

[>>Infineon Technologies\(英飞凌\)](#)