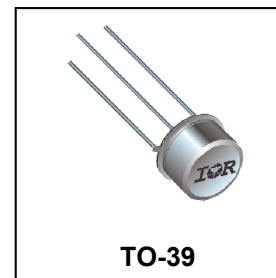


**REPETITIVE AVALANCHE AND dv/dt RATED
 HEXFET® TRANSISTORS
 THRU-HOLE TO-205AF (TO-39)**
**100V, N-CHANNEL
 REF: MIL-PRF-19500/556**
Product Summary

| Part Number | BVDSS | RDS(on) | I _D |
|-------------|-------|---------|----------------|
| IRFF110 | 100V | 0.60Ω | 3.5A |


Description

The HEXFET® technology is the key to International Rectifier's HiRel advanced line of power MOSFET transistors. The efficient geometry and unique processing of this latest "State of the Art" design achieves: very low on state resistance combined with high trans conductance.

The HEXFET transistors also feature all of the well established advantages of MOSFETs such as voltage control, very fast switching and temperature stability of the electrical parameters.

They are well suited for applications such as switching power supplies, motor controls, inverters, choppers, audio amplifiers and high energy pulse circuits.

Absolute Maximum Ratings

| Symbol | Parameter | Value | Units |
|---|---|---|-------|
| I _{D1} @ V _{GS} = 10V, T _C = 25°C | Continuous Drain Current | 3.5 | A |
| I _{D2} @ V _{GS} = 10V, T _C = 100°C | Continuous Drain Current | 2.25 | |
| I _{DM} @ T _C = 25°C | Pulsed Drain Current ① | 14 | |
| P _D @ T _C = 25°C | Maximum Power Dissipation | 15 | W |
| | Linear Derating Factor | 0.12 | W/°C |
| V _{GS} | Gate-to-Source Voltage | ± 20 | V |
| E _{AS} | Single Pulse Avalanche Energy ② | 68 | mJ |
| I _{AR} | Avalanche Current ① | 3.5 | A |
| E _{AR} | Repetitive Avalanche Energy ① | 1.5 | mJ |
| dv/dt | Peak Diode Recovery dv/dt ③ | 5.5 | V/ns |
| T _J T _{STG} | Operating Junction and Storage Temperature Range | -55 to + 150 | °C |
| | Lead Temperature | 300 (0.063 in. /1.6 mm from case for 10s) | |
| | Weight | 0.98 (Typical) | |

For Footnotes, refer to the page 2.

Electrical Characteristics @ T_j = 25°C (Unless Otherwise Specified)

| Symbol | Parameter | Min. | Typ. | Max. | Units | Test Conditions |
|-------------------------------------|--------------------------------------|------|------|------|-------|--|
| BV _{DSS} | Drain-to-Source Breakdown Voltage | 100 | — | — | V | V _{GS} = 0V, I _D = 1.0mA |
| ΔBV _{DSS} /ΔT _J | Breakdown Voltage Temp. Coefficient | — | 0.10 | — | V/°C | Reference to 25°C, I _D = 1.0mA |
| R _{DS(on)} | Static Drain-to-Source On-Resistance | — | — | 0.60 | Ω | V _{GS} = 10V, I _{D2} = 2.25A ④ |
| | | — | — | 0.61 | | V _{GS} = 10V, I _{D1} = 3.5A ④ |
| V _{GS(th)} | Gate Threshold Voltage | 2.0 | — | 4.0 | V | V _{DS} = V _{GS} , I _D = 250μA |
| G _{fs} | Forward Transconductance | 0.8 | — | — | S | V _{DS} = 15V, I _{D2} = 2.25A ④ |
| I _{DSS} | Zero Gate Voltage Drain Current | — | — | 25 | μA | V _{DS} = 80V, V _{GS} = 0V |
| | | — | — | 250 | | V _{DS} = 80V, V _{GS} = 0V, T _J = 125°C |
| I _{GSS} | Gate-to-Source Leakage Forward | — | — | 100 | nA | V _{GS} = 20V |
| | Gate-to-Source Leakage Reverse | — | — | -100 | | V _{GS} = -20V |
| Q _G | Total Gate Charge | — | — | 8.1 | nC | I _{D1} = 3.5A |
| Q _{GS} | Gate-to-Source Charge | — | — | 1.7 | | V _{DS} = 50V |
| Q _{GD} | Gate-to-Drain ('Miller') Charge | — | — | 4.5 | | V _{GS} = 10V |
| t _{d(on)} | Turn-On Delay Time | — | — | 15 | ns | V _{DD} = 50V |
| t _r | Rise Time | — | — | 25 | | I _{D1} = 3.5A |
| t _{d(off)} | Turn-Off Delay Time | — | — | 25 | | R _G = 7.5Ω |
| t _f | Fall Time | — | — | 20 | | V _{GS} = 10V |
| L _S + L _D | Total Inductance | — | 7.0 | — | nH | Measured from Drain lead (6mm / 0.25 in from package) to Source lead (6mm/ 0.25 in from package) with Source wire internally bonded from Source pin to Drain pin |
| C _{iSS} | Input Capacitance | — | 180 | — | pF | V _{GS} = 0V |
| C _{oSS} | Output Capacitance | — | 82 | — | | V _{DS} = 25V |
| C _{rSS} | Reverse Transfer Capacitance | — | 15 | — | | f = 1.0MHz |

Source-Drain Diode Ratings and Characteristics

| Symbol | Parameter | Min. | Typ. | Max. | Units | Test Conditions |
|-----------------|--|--|------|------|-------|--|
| I _S | Continuous Source Current (Body Diode) | — | — | 3.5 | A | |
| I _{SM} | Pulsed Source Current (Body Diode) ① | — | — | 14 | | |
| V _{SD} | Diode Forward Voltage | — | — | 1.5 | V | T _J = 25°C, I _S = 3.5A, V _{GS} = 0V ④ |
| t _{rr} | Reverse Recovery Time | — | — | 180 | ns | T _J = 25°C, I _F = 3.5A, V _{DD} ≤ 50V |
| Q _{rr} | Reverse Recovery Charge | — | — | 2.0 | μC | di/dt = 100A/μs ④ |
| t _{on} | Forward Turn-On Time | Intrinsic turn-on time is negligible (turn-on is dominated by L _S +L _D) | | | | |

Thermal Resistance

| Symbol | Parameter | Min. | Typ. | Max. | Units |
|------------------|--|------|------|------|-------|
| R _{θJC} | Junction-to-Case | — | — | 8.33 | °C/W |
| R _{θJA} | Junction-to-Ambient (Typical Socket Mount) | — | — | 175 | |

Footnotes:

- ① Repetitive Rating; Pulse width limited by maximum junction temperature.
- ② V_{DD} = 25V, starting T_J = 25°C, Peak I_L = 3.5A
- ③ I_{SD} ≤ 3.5A, di/dt ≤ 75A/μs, V_{DD} ≤ 100V, T_J ≤ 150°C, Suggested R_G = 7.5 Ω
- ④ Pulse width ≤ 300 μs; Duty Cycle ≤ 2%

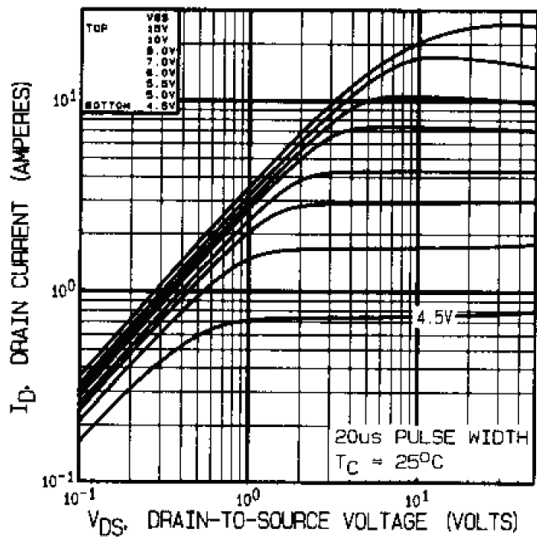


Fig 1. Typical Output Characteristics

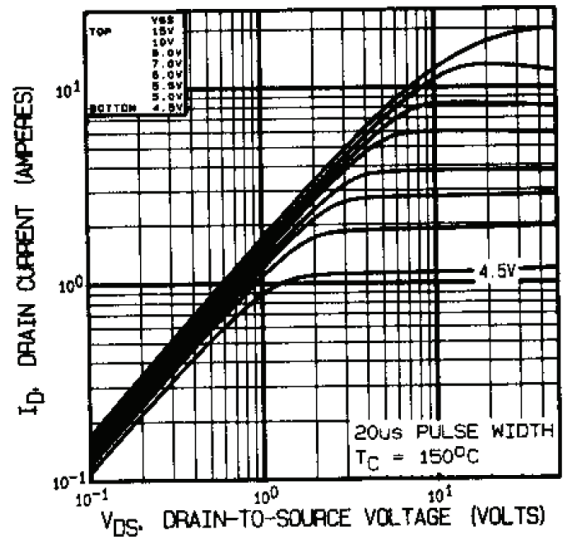


Fig 2. Typical Output Characteristics

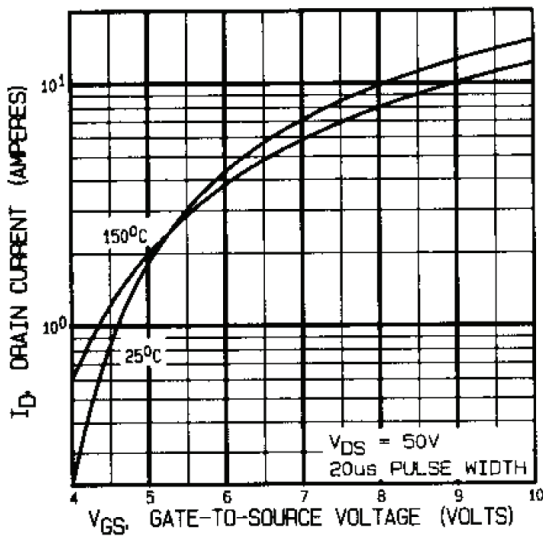


Fig 3. Typical Transfer Characteristics

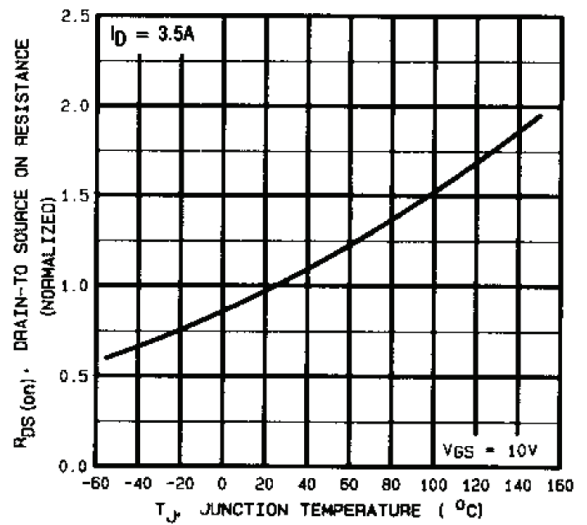


Fig 4. Normalized On-Resistance Vs. Temperature

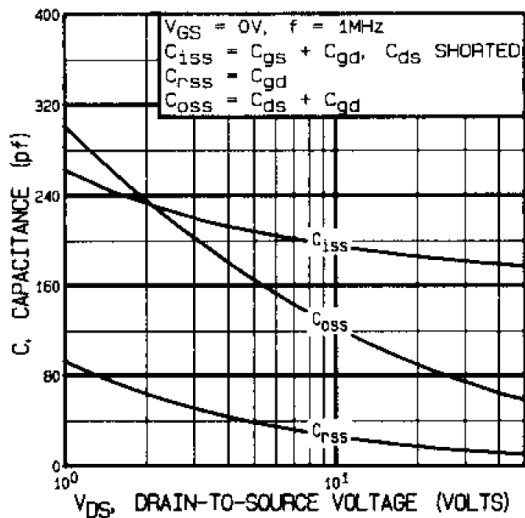


Fig 5. Typical Capacitance Vs. Drain-to-Source Voltage

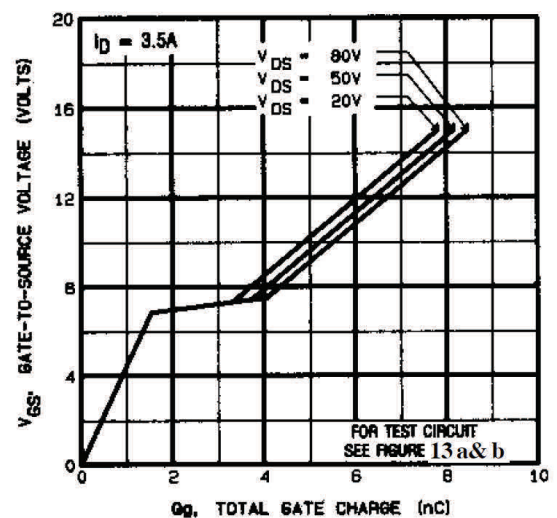


Fig 6. Typical Gate Charge Vs. Gate-to-Source Voltage

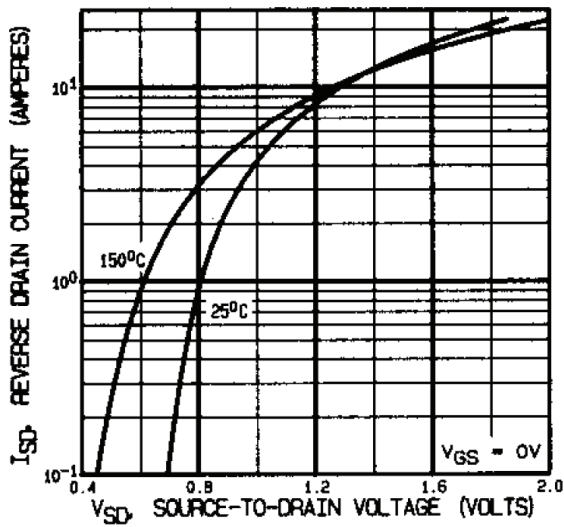


Fig 7. Typical Source-Drain Diode Forward Voltage

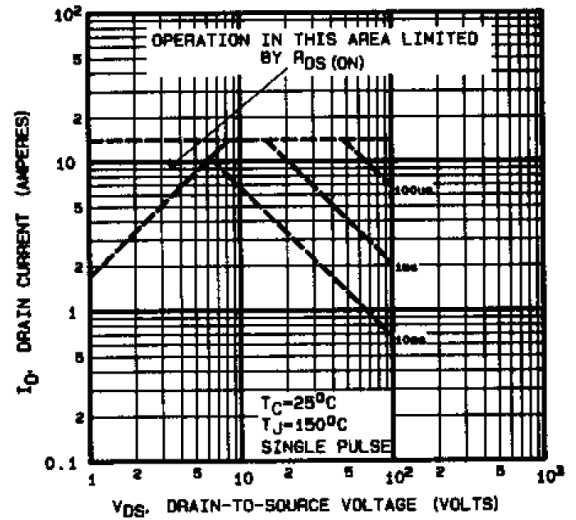


Fig 8. Maximum Safe Operating Area

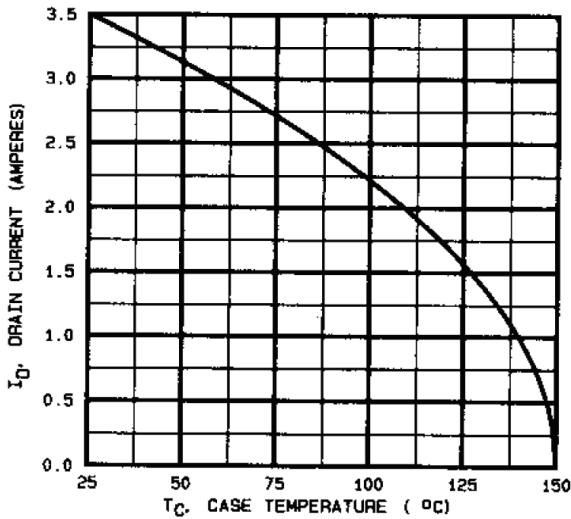


Fig 9. Maximum Drain Current Vs. Case Temperature

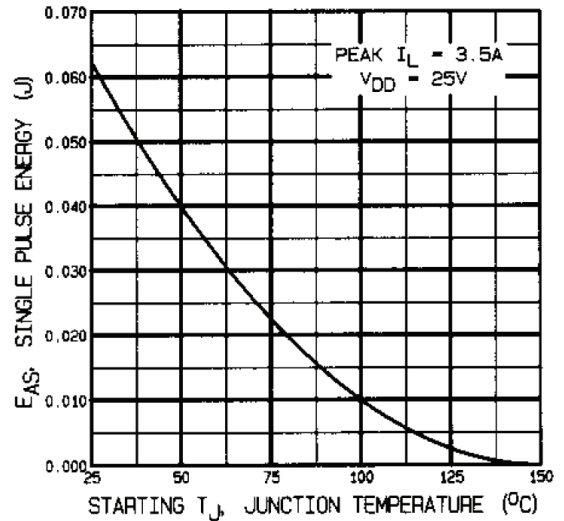


Fig 10. Maximum Avalanche Energy Vs. Drain Current

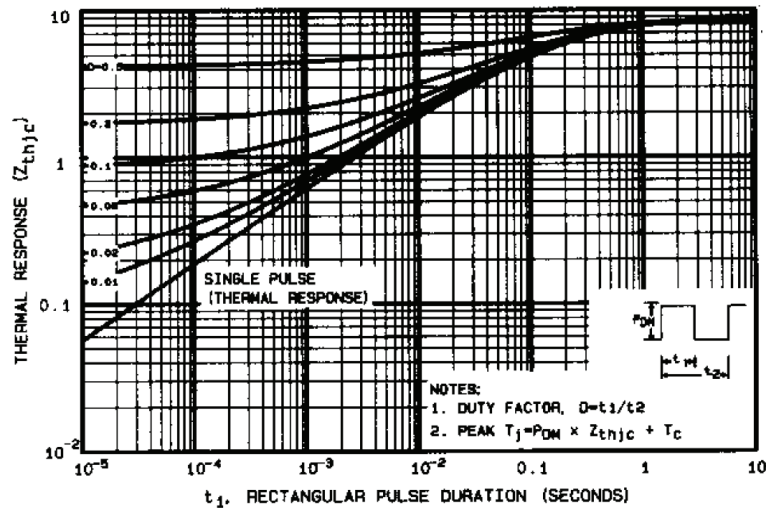


Fig 11. Maximum Effective Transient Thermal Impedance, Junction-to-Case



Fig 12a. Unclamped Inductive Test Circuit

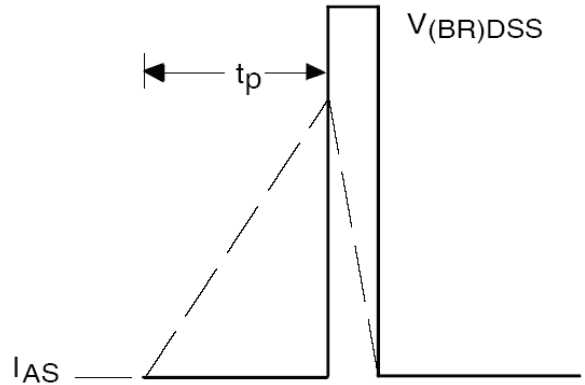


Fig 12b. Unclamped Inductive Waveforms

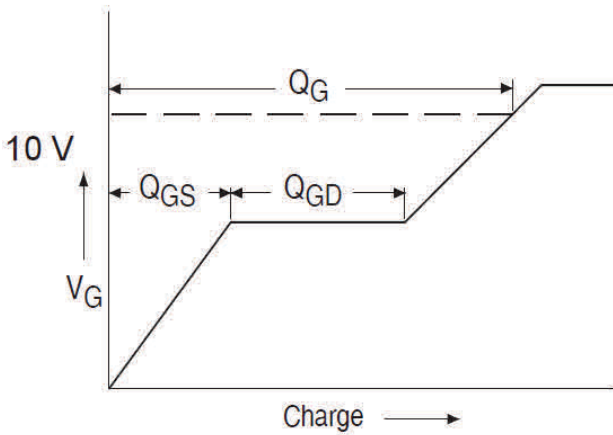


Fig 13a. Gate Charge Waveform

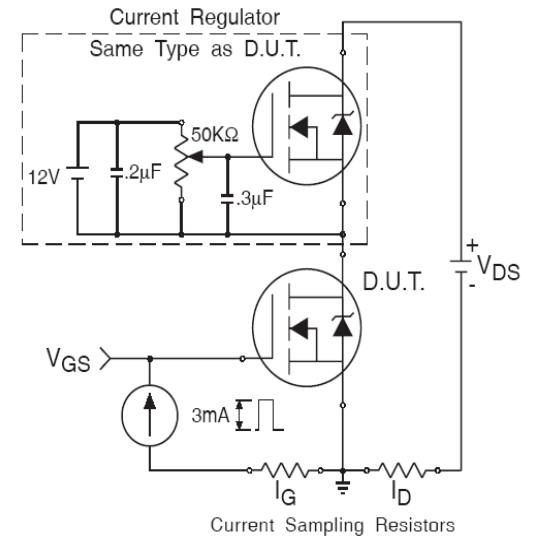


Fig 13b. Gate Charge Test Circuit

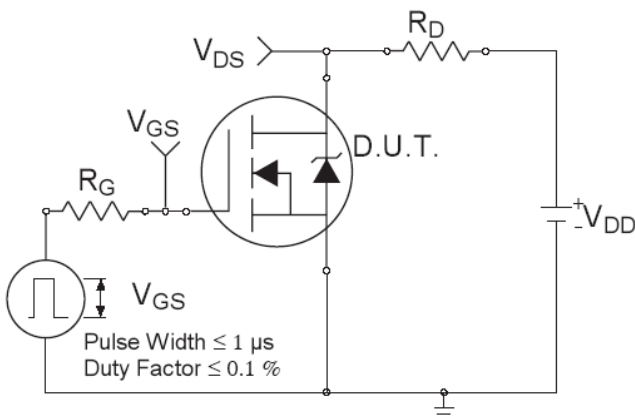


Fig 14a. Switching Time Test Circuit

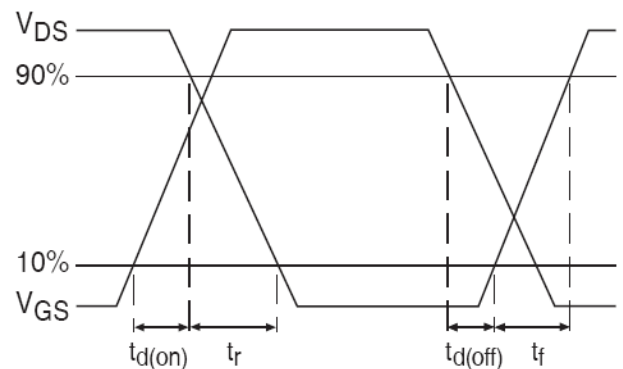
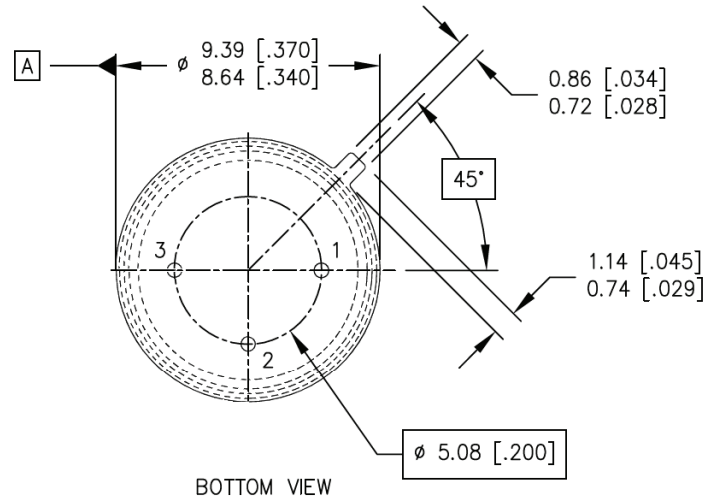


Fig 14b. Switching Time Waveforms

Case Outline and Dimensions - TO-205AF (TO-39)



NOTES:

SIDE VIEW

1. DIMENSIONING AND TOLERANCING PER ASME 14.5M-1994.
2. DIMENSIONS ARE SHOWN IN MILLIMETERS [INCHES].
3. CONTROLLING DIMENSION: INCH.
4. CONFORMS TO JEDEC OUTLINE TO-205AF (TO-39).

LEGEND

- 1- SOURCE
- 2- GATE
- 3- DRAIN (CONNECTED TO THE CASE)

IMPORTANT NOTICE

The information given in this document shall be in no event regarded as guarantee of conditions or characteristic. The data contained herein is a characterization of the component based on internal standards and is intended to demonstrate and provide guidance for typical part performance. It will require further evaluation, qualification and analysis to determine suitability in the application environment to confirm compliance to your system requirements.

With respect to any example hints or any typical values stated herein and/or any information regarding the application of the product, Infineon Technologies hereby disclaims any and all warranties and liabilities of any kind including without limitation warranties on non- infringement of intellectual property rights and any third party.

In addition, any information given in this document is subject to customer's compliance with its obligations stated in this document and any applicable legal requirements, norms and standards concerning customer's product and any use of the product of Infineon Technologies in customer's applications.

The data contained in this document is exclusively intended for technically trained staff. It is the responsibility of any customer's technical departments to evaluate the suitability of the product for the intended applications and the completeness of the product information given in this document with respect to applications.

For further information on the product, technology, delivery terms and conditions and prices, please contact your local sales representative or go to www.infineon.com/hirel.

WARNING

Due to technical requirements products may contain dangerous substances. For information on the types in question, please contact your nearest Infineon Technologies office.

单击下面可查看定价，库存，交付和生命周期等信息

[>>Infineon Technologies\(英飞凌\)](#)