

Technical Information

PrimeSTACK 6PS0300R12KE3-3GH-VI5-C25-IN



Vorläufige Daten
preliminary data

Key data

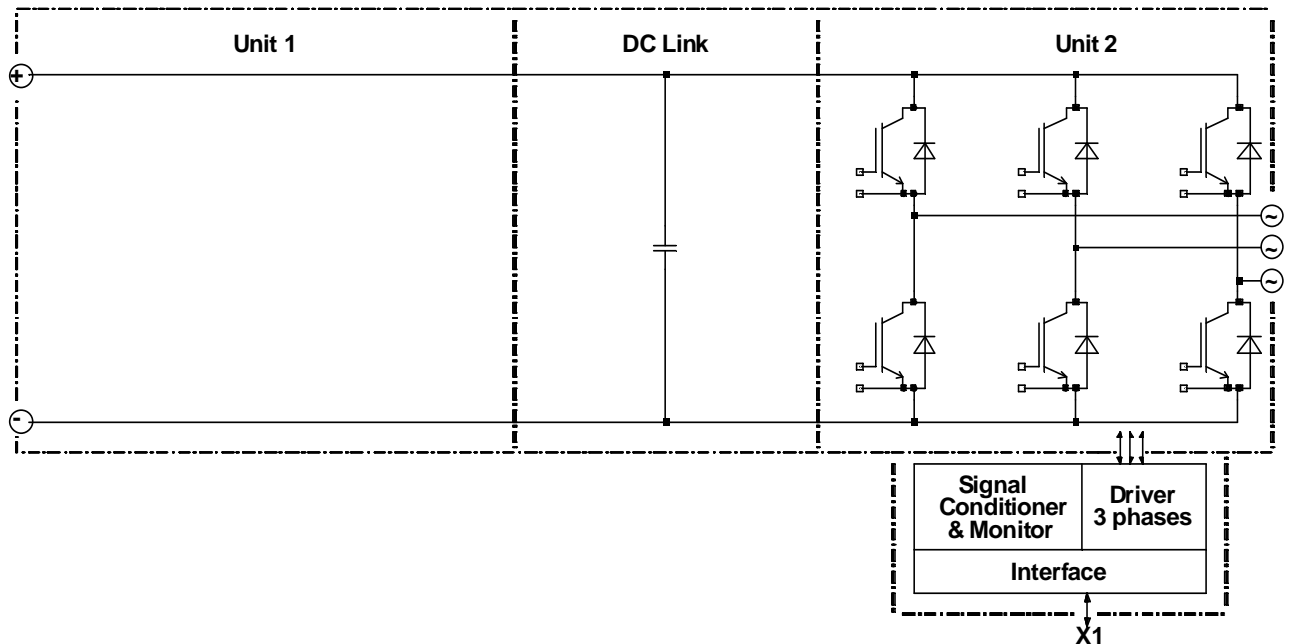
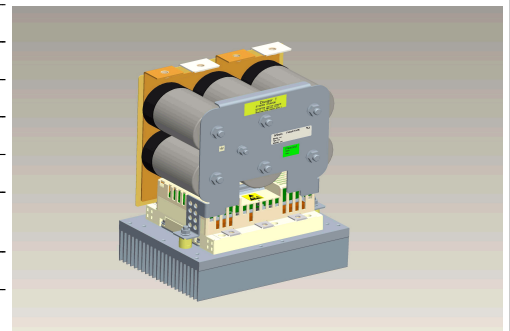
3x 234A rms at 300V rms, forced air (fan not implemented)

General information

Stacks for various inverter application. IGBT's, heat sinks, capacitors, drivers and sensors included. These are only technical data!

Please read carefully the complete document and maintain the proper design environment!
Especially note the EMC environment and the controller's functionality.

Topology	B6I
Application / Modulation	Inverter / Sine
Load type	resistive, inductive
Cooling	forced air (fan not implemented)
Implemented sensors	current, voltage, temperature
Semicond. (Unit 1)	none
DC Link	2.4mF
Semicond. (Unit 2)	3x FF300R12KE3
Driver signals IGBT	electrical CMOS 0 .. 15V
Standards	EN50178, UL94, prepared for UL508C
Sales - name	6PS03012E33G34160
Internal ID	34160
Mechanical drawing number	34160_MB
Electrical drawing number	6PS-C3-V-DR250-Rev01



prepared by: Hoelbe Oliver	date of publication: 2011-05-31
approved by: Sören Dreifke	revision: 2.1

Technical Information

PrimeSTACK 6PS0300R12KE3-3GH-VI5-C25-IN



Vorläufige Daten preliminary data

Notes

No active clamping included.

Electrical data

DC Link			min	typ	max	units
Voltage		V_{DC}		850	1050	V
Overvoltage shutdown				1050		V

Unit 2 AC			min	typ	max	units
Voltage	depending on controller	V_{Unit2}		300		V_{RMS}
Continuous current	$V_{Unit2} = 300V_{RMS}$, $V_{DC} = 850V$, $T_{inlet} = 40^{\circ}C$, $T_J \leq 125^{\circ}C$, $f_{Unit2} = 50Hz$, $f_{sw2} = 3000Hz$, $\cos(\phi) = 1,00$	I_{Unit2}			234	A_{RMS}
Continuous current overload cap.	$T_{inlet} = 40^{\circ}C$, for overload capability 150% for 60s			165		A_{RMS}
DC current	no rotating field, $T_{inlet} = 40^{\circ}C$	$I_{Unit2 DC}$			119,0	A_{av}
Overcurrent shutdown	within 15 μ s			460		A_{peak}
Switching frequency		f_{sw2}			18000	Hz
Power losses	$V_{Unit2} = 300V$, $V_{DC} = 850V$, $T_{inlet} = 40^{\circ}C$, $T_J \leq 125^{\circ}C$, $f_{Unit2} = 50Hz$, $f_{sw2} = 3000Hz$, $\cos(\phi) = 1,00$, $I_{Unit2} = 234A_{RMS}$	P_{loss2}		2100		W
Power factor		$\cos(\phi)_{Unit2}$	-1,00		1,00	

General data			min	typ	max	units
Power losses (PCB)		$P_{loss aux}$			40	W
EMC test	according to IEC61800-3 at named interfaces	power	V_{Burst}	2		kV
		control	V_{Burst}	1		kV
		aux (24V)	V_{Surge}	1		kV
Insulation management is designed for		V_{Line}		500		V_{RMS}
Insulation test voltage	according to EN50178, $f = 50Hz$, $t = 60s$	V_{isol}		2,5		kV_{RMS}

Important component data			min	typ	max	units
DC Link capacitor		C_{DC}		2,40		mF
		type		Foil		
Temperature range			-40		+85	$^{\circ}C$
Rated voltage	per device	U_R		1100		V_{DC}
Rated capacitance	per device	C_R		400		μF
Capacitance tolerance	per device	Tol	-10		+10	%
Maximum ripple current	per device, $T_{amb} = 60^{\circ}C$	I_{Rmax}			40	A_{RMS}
wiring system	series, parallel			1s, 6p		
Balance or discharge resistors	per DC Link unit	R_b		164,0		k Ω

prepared by: Hoelbe Oliver	date of publication: 2011-05-31
approved by: Sören Dreifke	revision: 2.1

Technical Information

PrimeSTACK 6PS0300R12KE3-3GH-VI5-C25-IN



Vorläufige Daten preliminary data

Controller interface data

			min	typ	max	units
Auxiliary voltage		V_{aux}	13	24	30	V_{av}
Auxiliary power requirement	$V_{aux} = 24V_{av}$	P_{aux}	40			W
Driver and interface board	see separate technical information		DR250			
Driver core			EiceDRIVER 2ED300C17-S			
Digital input level	resistor to GND 10,0k Ω , capacitor to GND 1nF	V_{in}	0,0		15,0	V
Digital output level	open collector, low = ok, max 15mA	V_{out}	0,0		30,0	V
Analog current outputs Unit 2	load max 5mA; at 234A	$V_{ana\ out}$	5,04	5,14	5,24	V
Analog DC Link voltage output	load max 1mA; at 850V	$V_{DC\ out}$	7,17	7,32	7,47	V
Analog temperature output	load max 5mA; at $T_{NTC} = 84^{\circ}C$ correspond to $T_j = 125^{\circ}C$	$V_{T\ out}$	10,49	10,70	10,91	V
Overtemperature shutdown	at $T_{NTC} = 84^{\circ}C$ correspond to $T_j = 125^{\circ}C$	$V_{T\ out\ OT}$		10,7		V

Heat sink air cooled / Thermal data

			min	typ	max	units
Airflow	$T_{Air} = 20^{\circ}C$, $P_{air} = 1013hPa$, dry- and dust free, measured on side of heat sink. according to DIN 41882	$\Delta V / \Delta t_{Air}$	485			m ³ /h
Air pressure drop		Δp_{Air}		410		Pa
Cooling air inlet temperature	heat sink temperature > -25 $^{\circ}C$	T_{inlet}	-25		40	$^{\circ}C$

prepared by: Hoelbe Oliver	date of publication: 2011-05-31
approved by: Sören Dreifke	revision: 2.1

Technical Information

PrimeSTACK 6PS0300R12KE3-3GH-VI5-C25-IN



Vorläufige Daten preliminary data

IGBT data unit 2

Type	assumed		min	typ	max	units
collector-emitter saturation voltage	$I_c = 300A; V_{ge} = 15V; T_{vj} = 125^\circ C$	$V_{CE\ sat}$		2		V
parameter for linear model	$T_{vj} = 25^\circ C$	V_{ce1}		0,92		V
parameter for linear model	$T_{vj} = 25^\circ C$	r_{ce1}		2,6		mΩ
parameter for linear model	$T_{vj} = 125^\circ C$	V_{ce2}		0,845		V
parameter for linear model	$T_{vj} = 125^\circ C$	r_{ce2}		3,85		mΩ
turn-on / turn-off energy loss per pulse	$T_{vj} = 25^\circ C$	E_1		17 / 30		mJ
turn-on / turn-off energy loss per pulse	$T_{vj} = 125^\circ C$	E_2		25 / 40		mJ
thermal resistance, junction to case	per IGBT	R_{thjc}		0,085		K/W
thermal resistance, case to heatsink	per IGBT	R_{thch}		0,031		K/W

Diode data unit 2

Type	assumed		min	typ	max	units
forward voltage	$I_F = 300A; V_{ge} = 0V; T_{vj} = 125^\circ C$	V_F		1,65		V
parameter for linear model	$T_{vj} = 25^\circ C$	V_{F1}		1,005		V
parameter for linear model	$T_{vj} = 25^\circ C$	r_{F1}		2,15		mΩ
parameter for linear model	$T_{vj} = 125^\circ C$	V_{F2}		0,81		V
parameter for linear model	$T_{vj} = 125^\circ C$	r_{F2}		2,8		mΩ
reverse recovery energy	$T_{vj} = 25^\circ C$	E_{rec1}		14		mJ
reverse recovery energy	$T_{vj} = 125^\circ C$	E_{rec2}		26		mJ
thermal resistance, junction to case	per Diode	R_{thjc}		0,15		K/W
thermal resistance, case to heatsink	per Diode	R_{thch}		0,055		K/W

prepared by: Hoelbe Oliver	date of publication: 2011-05-31
approved by: Sören Dreifke	revision: 2.1

Technical Information

PrimeSTACK 6PS0300R12KE3-3GH-VI5-C25-IN



Vorläufige Daten preliminary data

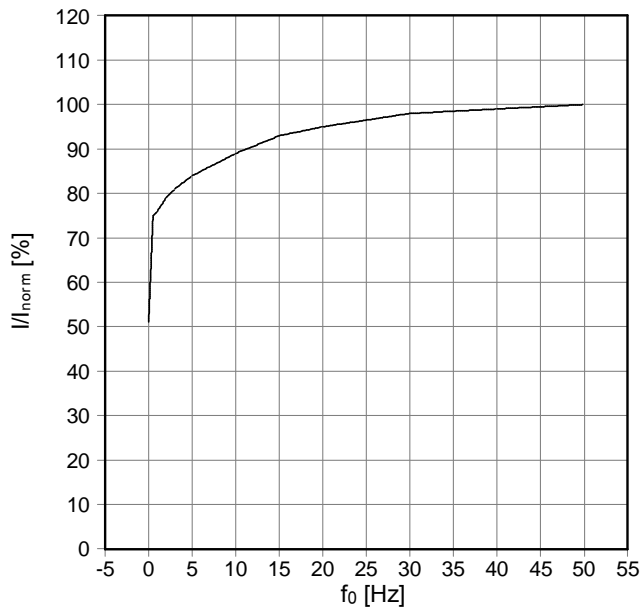
Environmental conditions

			min	typ	max	units
Storage temperature		T_{stor}	-40		85	°C
Ambient temperature		T_{amb}	-25		55	°C
Operating temperature	see chapter Heat sink air cooled / Thermal data					
Cooling air velocity (PCB)		$V_{Air PCB}$	0,3			m/s
Air pressure	standard atmosphere	p_{Air}	900		1100	hPa
Humidity	no condensation	Rel. F	5		85	%
Installation height			0		1000	m
Vibration	according to IEC60721				5	m/s ²
Shock	according to IEC60721				40	m/s ²
Protection degree			IP00			
Pollution degree			2			
Torque at DC Terminals		M_{DC}	6,0		10,0	Nm
Torque at AC Terminals		M_{AC}	16,0		20,0	Nm
Dimensions	width × depth × height		216	280	376	mm
Weight with heat sink	approximation			17,0		kg
Weight without heat sink	approximation			2,9		kg

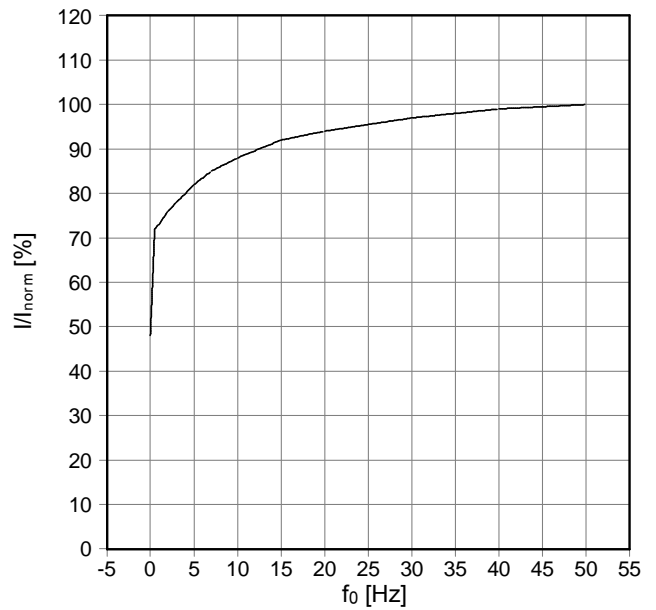
prepared by: Hoelbe Oliver	date of publication: 2011-05-31
approved by: Sören Dreifke	revision: 2.1

Vorläufige Daten
preliminary data

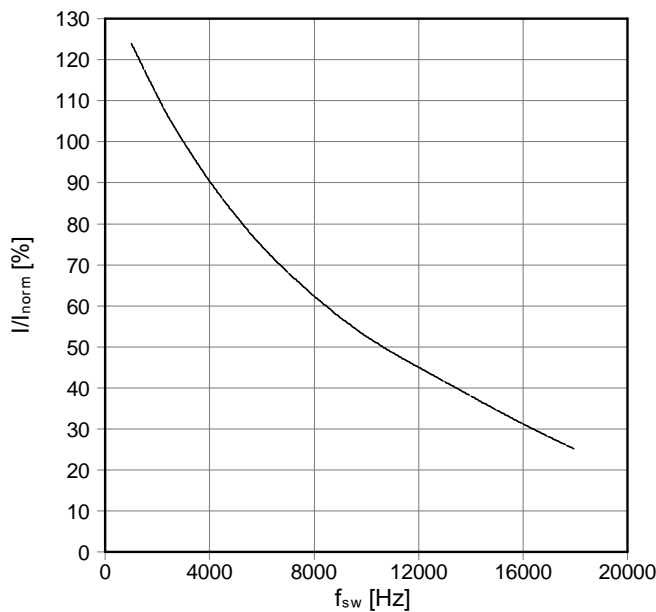
fo - derating curve IGBT (motor)
 $\cos(\phi) = 1$
 $T_{cool\ medium} = 40^{\circ}C$; 100% = 234 A rms



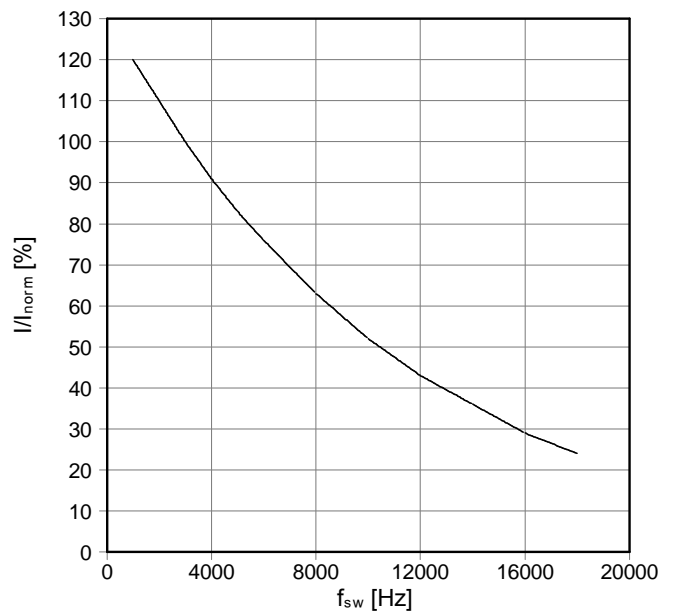
fo - derating curves Diode (generator)
 $\cos(\phi) = -1$
 $T_{cool\ medium} = 40^{\circ}C$; 100% = 231 A rms



fsw - derating curve IGBT (motor)
 $\cos(\phi) = 1$
 $T_{cool\ medium} = 40^{\circ}C$; 100% = 234 A rms



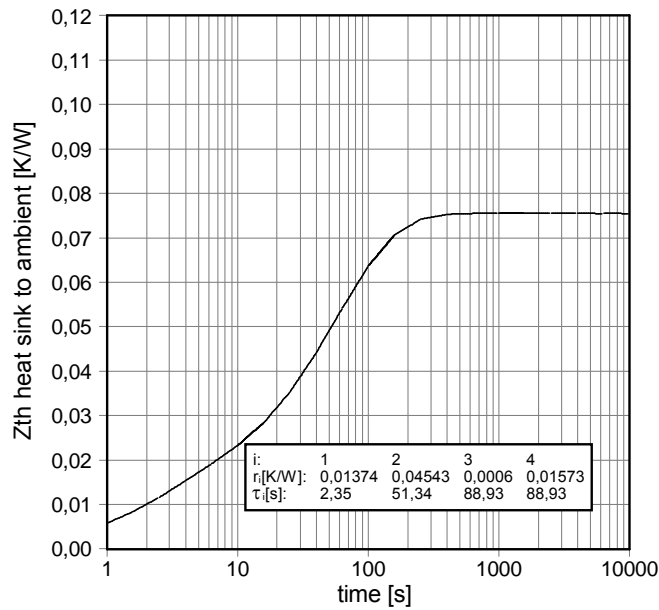
fsw - derating curve Diode (generator)
 $\cos(\phi) = -1$
 $T_{cool\ medium} = 40^{\circ}C$; 100% = 231 A rms



prepared by: Hoelbe Oliver	date of publication: 2011-05-31
approved by: Sören Dreifke	revision: 2.1

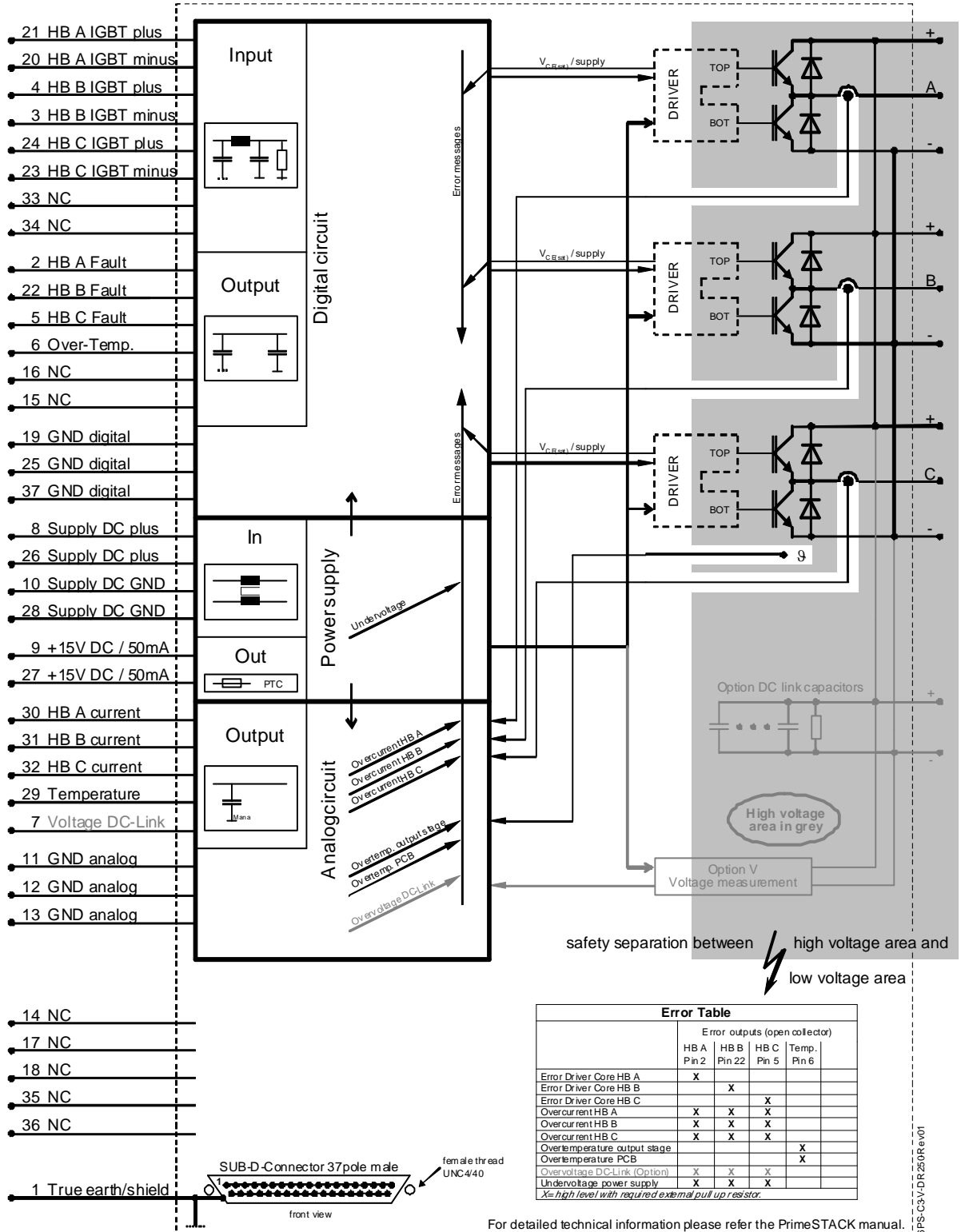
Vorläufige Daten
preliminary data

Transient thermal impedance per module
T_{cool medium} = 40°C



prepared by: Hoelbe Oliver	date of publication: 2011-05-31
approved by: Sören Dreifke	revision: 2.1

Circuit diagram



prepared by: Hoelbe Oliver date of publication: 2011-05-31
approved by: Sören Dreifke revision: 2.1



Nutzungsbedingungen

Die in diesem Produktdatenblatt enthaltenen Daten sind ausschließlich für technisch geschultes Fachpersonal bestimmt. Die Beurteilung der Eignung dieses Produktes für Ihre Anwendung sowie die Beurteilung der Vollständigkeit der bereitgestellten Produktdaten für diese Anwendung obliegt Ihnen bzw. Ihren technischen Abteilungen.

In diesem Produktdatenblatt werden diejenigen Merkmale beschrieben, für die wir eine liefervertragliche Gewährleistung übernehmen. Eine solche Gewährleistung richtet sich ausschließlich nach Maßgabe der im jeweiligen Liefervertrag enthaltenen Bestimmungen. Garantien jeglicher Art werden für das Produkt und dessen Eigenschaften keinesfalls übernommen.

Sollten Sie von uns Produktinformationen benötigen, die über den Inhalt dieses Produktdatenblatts hinausgehen und insbesondere eine spezifische Verwendung und den Einsatz dieses Produktes betreffen, setzen Sie sich bitte mit dem für Sie zuständigen Vertriebsbüro in Verbindung (siehe www.infineon.com, Vertrieb&Kontakt). Für Interessenten halten wir Application Notes bereit.

Aufgrund der technischen Anforderungen könnte unser Produkt gesundheitsgefährdende Substanzen enthalten. Bei Rückfragen zu den in diesem Produkt jeweils enthaltenen Substanzen setzen Sie sich bitte ebenfalls mit dem für Sie zuständigen Vertriebsbüro in Verbindung.

Sollten Sie beabsichtigen, das Produkt in Anwendungen der Luftfahrt, in gesundheits- oder lebensgefährdenden oder lebenserhaltenden Anwendungsbereichen einzusetzen, bitten wir um Mitteilung. Wir weisen darauf hin, dass wir für diese Fälle

- die gemeinsame Durchführung eines Risiko- und Qualitätsassessments;
- den Abschluss von speziellen Qualitätssicherungsvereinbarungen;
- die gemeinsame Einführung von Maßnahmen zu einer laufenden Produktbeobachtung dringend empfehlen und gegebenenfalls die Belieferung von der Umsetzung solcher Maßnahmen abhängig machen.

Soweit erforderlich, bitten wir Sie, entsprechende Hinweise an Ihre Kunden zu geben.

Inhaltliche Änderungen dieses Produktdatenblatts bleiben vorbehalten.

Terms & Conditions of usage

The data contained in this product data sheet is exclusively intended for technically trained staff. You and your technical departments will have to evaluate the suitability of the product for the intended application and the completeness of the product data with respect to such application.

This product data sheet is describing the characteristics of this product for which a warranty is granted. Any such warranty is granted exclusively pursuant to the terms and conditions of the supply agreement. There will be no guarantee of any kind for the product and its characteristics.

Should you require product information in excess of the data given in this product data sheet or which concerns the specific application of our product, please contact the sales office, which is responsible for you (see www.infineon.com, sales&contact). For those that are specifically interested we may provide application notes.

Due to technical requirements our product may contain dangerous substances. For information on the types in question please contact the sales office, which is responsible for you.

Should you intend to use the Product in aviation applications, in health or life endangering or life support applications, please notify. Please note, that for any such applications we urgently recommend

- to perform joint Risk and Quality Assessments;
- the conclusion of Quality Agreements;
- to establish joint measures of an ongoing product survey, and that we may make delivery dependent on the realization of any such measures.

If and to the extent necessary, please forward equivalent notices to your customers.

Changes of this product data sheet are reserved.

prepared by: Hoelbe Oliver	date of publication: 2011-05-31
approved by: Sören Dreifke	revision: 2.1

Technical Information

PrimeSTACK 6PS0300R12KE3-3GH-VI5-C25-IN



**Vorläufige Daten
preliminary data**

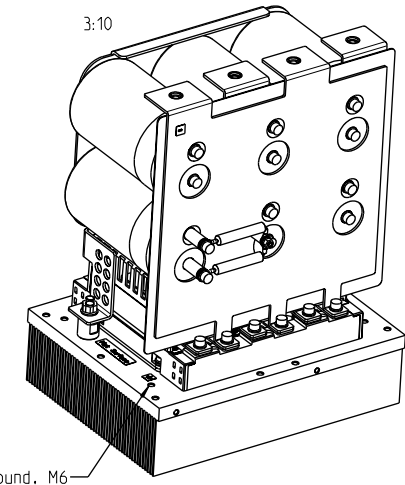
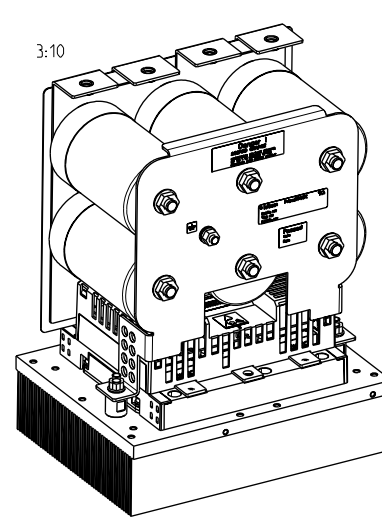
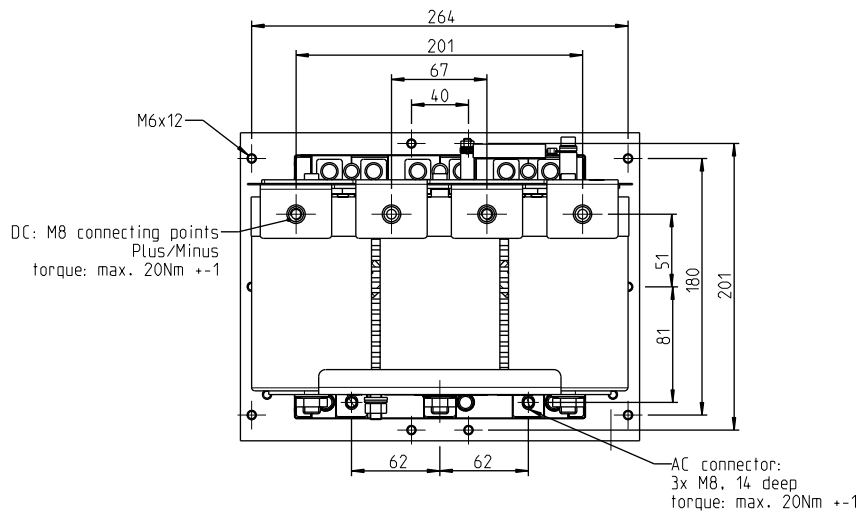
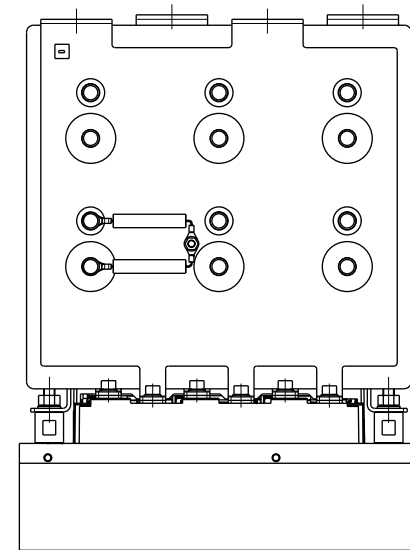
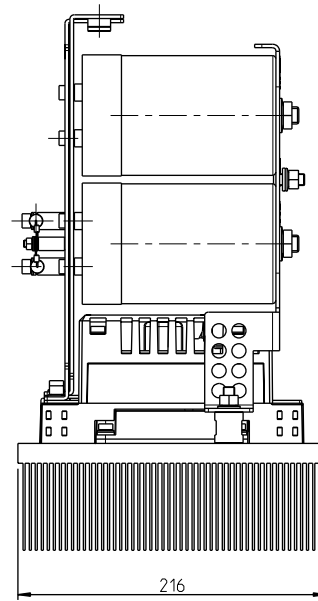
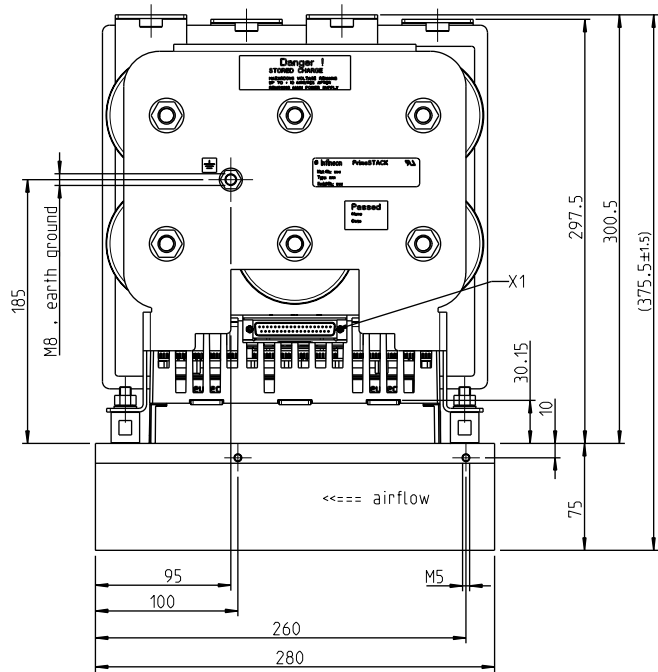
Sicherheitshinweise

Bevor Sie mit der Installation und dem Betrieb der Baugruppe beginnen, lesen Sie bitte sorgfältig alle Sicherheitshinweise, Warnungen und beachten Sie die angebrachten Warnschilder. Vergewissern Sie sich, dass alle Warnschilder in leserlichem Zustand verbleiben und fehlende oder beschädigte Schilder ersetzt werden.

Safety Instructions

Prior to installation and operation, all safety notices and warnings and all warning signs attached to the equipment have to be carefully read. Make sure that all warning signs remain in a legible condition and that missing or damaged signs are replaced. To installation and operation, all safety notices and warnings and all warning signs attached to the equipment have to be carefully read. Make sure that all warning signs remain in a legible condition and that missing or damaged signs are replaced.

prepared by: Hoelbe Oliver	date of publication: 2011-05-31
approved by: Sören Dreifke	revision: 2.1



X1: SUB-D connector 37pole, male

Part-No.	34160	general Tolerance	Surface	Scale	2:5
Assembly-No.				Material	
				Material-No.	
				Description	PrimeSTACK+Capacitors
					6PSxxxRxx xxx-3GH-xxx-C25xx
				Graph-No.	34160
				Version	0
				Sheet	1/2
				Constructed for	AZ

单击下面可查看定价，库存，交付和生命周期等信息

[>>Infineon Technologies\(英飞凌\)](#)