

# BGA7H1N6

Silicon Germanium Low Noise Amplifier for LTE

## Data Sheet

Revision 3.1 (Min/Max), 2014-02-11

**Edition 2014-02-11**

**Published by  
Infineon Technologies AG  
81726 Munich, Germany**

**© 2014 Infineon Technologies AG  
All Rights Reserved.**

### **Legal Disclaimer**

The information given in this document shall in no event be regarded as a guarantee of conditions or characteristics. With respect to any examples or hints given herein, any typical values stated herein and/or any information regarding the application of the device, Infineon Technologies hereby disclaims any and all warranties and liabilities of any kind, including without limitation, warranties of non-infringement of intellectual property rights of any third party.

### **Information**

For further information on technology, delivery terms and conditions and prices, please contact the nearest Infineon Technologies Office ([www.infineon.com](http://www.infineon.com)).

### **Warnings**

Due to technical requirements, components may contain dangerous substances. For information on the types in question, please contact the nearest Infineon Technologies Office.

Infineon Technologies components may be used in life-support devices or systems only with the express written approval of Infineon Technologies, if a failure of such components can reasonably be expected to cause the failure of that life-support device or system or to affect the safety or effectiveness of that device or system. Life support devices or systems are intended to be implanted in the human body or to support and/or maintain and sustain and/or protect human life. If they fail, it is reasonable to assume that the health of the user or other persons may be endangered.

**Revision History**

Page or Item	Subjects (major changes since previous revision)
<b>Revision 3.1 (Min/Max), 2014-02-11</b>	
10-13	Min/Max values added
<b>Revision 3.0, 2014-02-10</b>	
7	Marking added
10-13	Electrical characteristics updated
10-13	Footnotes updated

**Trademarks of Infineon Technologies AG**

AURIX™, C166™, CanPAK™, CIPOS™, CIPURSE™, EconoPACK™, CoolMOS™, CoolSET™, CORECONTROL™, CROSSAVE™, DAVE™, DI-POL™, EasyPIM™, EconoBRIDGE™, EconoDUAL™, EconoPIM™, EconoPACK™, EiceDRIVER™, eupec™, FCOS™, HITFET™, HybridPACK™, I<sup>2</sup>RF™, ISOFACE™, IsoPACK™, MIPAQ™, ModSTACK™, my-d™, NovalithIC™, OptiMOS™, ORIGA™, POWERCODE™, PRIMARION™, PrimePACK™, PrimeSTACK™, PRO-SIL™, PROFET™, RASIC™, ReverSave™, SatRIC™, SIEGET™, SINDRION™, SIPMOS™, SmartLEWIS™, SOLID FLASH™, TEMPFET™, thinQ!™, TRENCHSTOP™, TriCore™.

**Other Trademarks**

Advance Design System™ (ADS) of Agilent Technologies, AMBA™, ARM™, MULTI-ICE™, KEIL™, PRIMECELL™, REALVIEW™, THUMB™, μVision™ of ARM Limited, UK. AUTOSAR™ is licensed by AUTOSAR development partnership. Bluetooth™ of Bluetooth SIG Inc. CAT-iq™ of DECT Forum. COLOSSUS™, FirstGPS™ of Trimble Navigation Ltd. EMV™ of EMVCo, LLC (Visa Holdings Inc.). EPCOS™ of Epcos AG. FLEXGO™ of Microsoft Corporation. FlexRay™ is licensed by FlexRay Consortium. HYPERTERMINAL™ of Hilgraeve Incorporated. IEC™ of Commission Electrotechnique Internationale. IrDA™ of Infrared Data Association Corporation. ISO™ of INTERNATIONAL ORGANIZATION FOR STANDARDIZATION. MATLAB™ of MathWorks, Inc. MAXIM™ of Maxim Integrated Products, Inc. MICROTEC™, NUCLEUS™ of Mentor Graphics Corporation. MIPI™ of MIPI Alliance, Inc. MIPS™ of MIPS Technologies, Inc., USA. muRata™ of MURATA MANUFACTURING CO., MICROWAVE OFFICE™ (MWO) of Applied Wave Research Inc., OmniVision™ of OmniVision Technologies, Inc. Openwave™ Openwave Systems Inc. RED HAT™ Red Hat, Inc. RFMD™ RF Micro Devices, Inc. SIRIUS™ of Sirius Satellite Radio Inc. SOLARIS™ of Sun Microsystems, Inc. SPANSION™ of Spansion LLC Ltd. Symbian™ of Symbian Software Limited. TAIYO YUDEN™ of Taiyo Yuden Co. TEAKLITE™ of CEVA, Inc. TEKTRONIX™ of Tektronix Inc. TOKO™ of TOKO KABUSHIKI KAISHA TA. UNIX™ of X/Open Company Limited. VERILOG™, PALLADIUM™ of Cadence Design Systems, Inc. VLYNQ™ of Texas Instruments Incorporated. VXWORKS™, WIND RIVER™ of WIND RIVER SYSTEMS, INC. ZETEX™ of Diodes Zetex Limited.

Last Trademarks Update 2011-11-11

## Table of Contents

	<b>Table of Contents</b> .....	4
	<b>List of Figures</b> .....	5
	<b>List of Tables</b> .....	6
	<b>Features</b> .....	7
<b>1</b>	<b>Maximum Ratings</b> .....	9
<b>2</b>	<b>Electrical Characteristics</b> .....	10
2.1	Measured RF Characteristics Band 7 .....	10
2.2	Measured RF Characteristics Band 40 .....	12
<b>3</b>	<b>Application Information</b> .....	14
3.1	Application Circuit Schematic Band 7 .....	14
3.2	Application Circuit Schematic Band 40 .....	15
<b>4</b>	<b>Package Information</b> .....	17

**List of Figures**

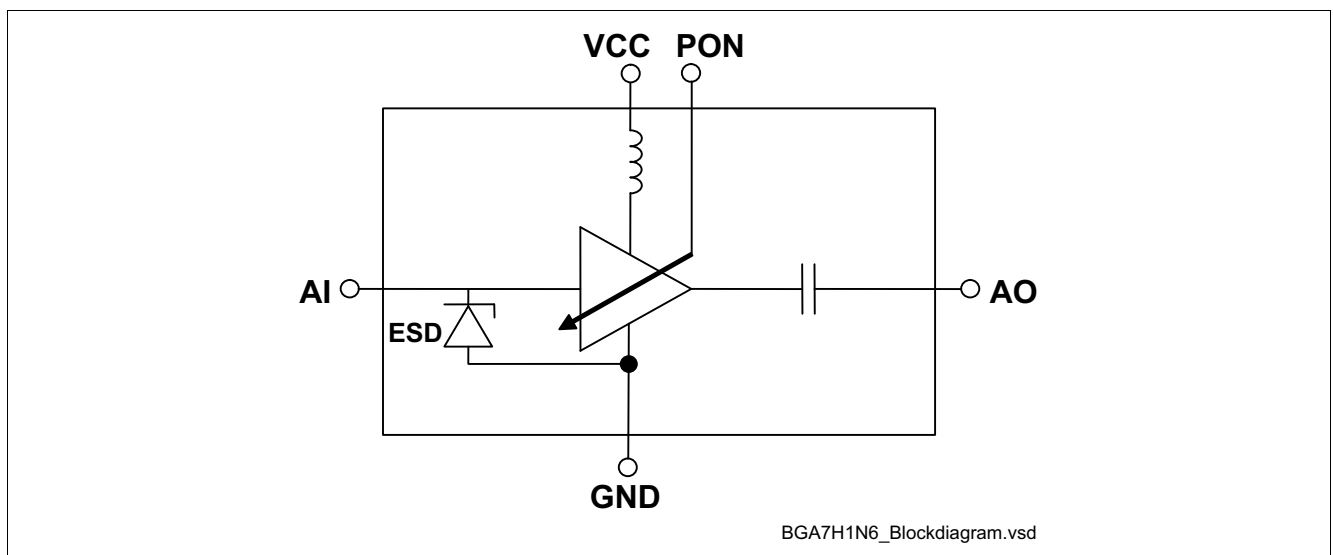
Figure 1	Block Diagram .....	7
Figure 2	Application Schematic BGA7H1N6 .....	14
Figure 3	Application Schematic BGA7H1N6 .....	15
Figure 4	Drawing of Application Board .....	16
Figure 5	Application Board Cross-Section .....	16
Figure 6	TSNP-6-2 Package Outline (top, side and bottom views) .....	17
Figure 7	Footprint Recommendation TSNP-6-2 .....	17
Figure 8	Marking Layout (top view) .....	17
Figure 9	Tape & Reel Dimensions (reel diameter 180 mm, pieces/reel 15000) .....	18

## List of Tables

Table 1	Pin Definition and Function .....	8
Table 2	Maximum Ratings .....	9
Table 3	Thermal Resistance .....	9
Table 4	Electrical Characteristics: $T_A = 25\text{ °C}$ , $V_{CC} = 1.8\text{ V}$ , $V_{PON,ON} = 1.8\text{ V}$ , $V_{PON,OFF} = 0\text{ V}$ , $f = 2620 - 2690\text{ MHz}$ .....	10
Table 5	Electrical Characteristics: $T_A = 25\text{ °C}$ , $V_{CC} = 2.8\text{ V}$ , $V_{PON,ON} = 2.8\text{ V}$ , $V_{PON,OFF} = 0\text{ V}$ , $f = 2620 - 2690\text{ MHz}$ .....	11
Table 6	Electrical Characteristics: $T_A = 25\text{ °C}$ , $V_{CC} = 1.8\text{ V}$ , $V_{PON,ON} = 1.8\text{ V}$ , $V_{PON,OFF} = 0\text{ V}$ , $f = 2300 - 2400\text{ MHz}$ .....	12
Table 7	Electrical Characteristics: $T_A = 25\text{ °C}$ , $V_{CC} = 2.8\text{ V}$ , $V_{PON,ON} = 2.8\text{ V}$ , $V_{PON,OFF} = 0\text{ V}$ , $f = 2300 - 2400\text{ MHz}$ .....	13
Table 8	Bill of Materials .....	14
Table 9	Bill of Materials .....	15

**Features**

- Insertion power gain: 12.5 dB
- Low noise figure: 0.60 dB
- Low current consumption: 4.7 mA
- Operating frequencies: 2300 - 2690 MHz
- Supply voltage: 1.5 V to 3.3 V
- Digital on/off switch (1V logic high level)
- Ultra small TSNP-6-2 leadless package (footprint: 0.7 x 1.1 mm<sup>2</sup>)
- B7HF Silicon Germanium technology
- RF output internally matched to 50 Ω
- Only 1 external SMD component necessary
- 2kV HBM ESD protection (including AI-pin)
- Pb-free (RoHS compliant) package



**Figure 1 Block Diagram**

Product Name	Marking	Package
BGA7H1N6	A	TSNP-6-2

### Description

The BGA7H1N6 is a front-end low noise amplifier for LTE which covers a wide frequency range from 2300 MHz to 2690 MHz. The LNA provides 12.5 dB gain and 0.60 dB noise figure at a current consumption of 4.7 mA in the application configuration described in [Chapter 3](#). The BGA7H1N6 is based upon Infineon Technologies' B7HF Silicon Germanium technology. It operates from 1.5 V to 3.3 V supply voltage.

### Pin Definition and Function

**Table 1** Pin Definition and Function

Pin No.	Name	Function
1	GND	Ground
2	VCC	DC supply
3	AO	LNA output
4	GND	Ground
5	AI	LNA input
6	PON	Power on control



## 1 Maximum Ratings

**Table 2 Maximum Ratings**

Parameter	Symbol	Values			Unit	Note / Test Condition
		Min.	Typ.	Max.		
Voltage at pin VCC	$V_{CC}$	-0.3	–	3.6	V	1)
Voltage at pin AI	$V_{AI}$	-0.3	–	0.9	V	–
Voltage at pin AO	$V_{AO}$	-0.3	–	$V_{CC} + 0.3$	V	–
Voltage at pin PON	$V_{PON}$	-0.3	–	$V_{CC} + 0.3$	V	–
Voltage at pin GNDRF	$V_{GNDRF}$	-0.3	–	0.3	V	–
Current into pin VCC	$I_{CC}$	–	–	16	mA	–
RF input power	$P_{IN}$	–	–	0	dBm	–
Total power dissipation, $T_S < \text{tbd. } ^\circ\text{C}^2)$	$P_{tot}$	–	–	60	mW	–
Junction temperature	$T_J$	–	–	150	$^\circ\text{C}$	–
Ambient temperature range	$T_A$	-40	–	85	$^\circ\text{C}$	–
Storage temperature range	$T_{STG}$	-65	–	150	$^\circ\text{C}$	–
ESD capability all pins	$V_{ESD\_HBM}$	–	–	2000	V	according to JESD22A-114

1) All voltages refer to GND-Node unless otherwise noted

2)  $T_S$  is measured on the ground lead at the soldering point

**Attention: Stresses above the max. values listed here may cause permanent damage to the device. Exposure to absolute maximum rating conditions for extended periods may affect device reliability. Maximum ratings are absolute ratings; exceeding only one of these values may cause irreversible damage to the integrated circuit.**

### Thermal Resistance

**Table 3 Thermal Resistance**

Parameter	Symbol	Value	Unit
Junction - soldering point <sup>1)</sup>	$R_{thJS}$	tbd.	K/W

1) For calculation of  $R_{thJA}$  please refer to Application Note Thermal Resistance

## 2 Electrical Characteristics

### 2.1 Measured RF Characteristics Band 7

**Table 4** Electrical Characteristics:<sup>1)</sup>  $T_A = 25\text{ °C}$ ,  $V_{CC} = 1.8\text{ V}$ ,  $V_{PON,ON} = 1.8\text{ V}$ ,  $V_{PON,OFF} = 0\text{ V}$ ,  
 $f = 2620 - 2690\text{ MHz}$

Parameter	Symbol	Values			Unit	Note / Test Condition
		Min.	Typ.	Max.		
Supply voltage	$V_{CC}$	1.5	–	3.3	V	–
Supply current	$I_{CC}$	–	4.7	5.7	mA	ON-mode
		–	0.2	3	$\mu\text{A}$	OFF-mode
Power On voltage	$V_{pon}$	1.0	–	$V_{cc}$	V	ON-mode
		0	–	0.4	V	OFF-mode
Power On current	$I_{pon}$	–	5	10	$\mu\text{A}$	ON-mode
		–	–	1	$\mu\text{A}$	OFF-mode
Insertion power gain	$ S_{21} ^2$	11.0	12.5	14.0	dB	–
Noise figure <sup>2)</sup>	$NF$	–	0.65	1.2	dB	$Z_S = 50\ \Omega$
Input return loss <sup>3)</sup>	$RL_{in}$	8	11	–	dB	–
Output return loss <sup>3)</sup>	$RL_{out}$	10	20	–	dB	–
Reverse isolation <sup>3)</sup>	$1/ S_{12} ^2$	16	20	–	dB	–
Power gain settling time <sup>4)5)</sup>	$t_S$	–	4	7	$\mu\text{s}$	OFF- to ON-mode
Inband input 1dB-compression point <sup>3)</sup>	$IP_{1dB}$	-8	-4	–	dBm	–
Inband input 3 <sup>rd</sup> -order intercept point <sup>6)3)</sup>	$IIP_3$	+1	+6	–	dBm	$f_1 = 2650\text{ MHz}$ $f_2 = f_1 \pm 10\text{ MHz}$
Stability <sup>5)</sup>	$k$	–	> 1	–		$f = 20\text{ MHz} \dots 10\text{ GHz}$

1) Based on the application described in chapter 3

2) PCB losses are subtracted

3) Verification based on AQL; not 100% tested in production

4) To be within 1 dB of the final gain

5) Guaranteed by device design; not tested in production

6) Input power = -30 dBm for each tone

**Table 5 Electrical Characteristics:**<sup>1)</sup>  $T_A = 25\text{ °C}$ ,  $V_{CC} = 2.8\text{ V}$ ,  $V_{PON,ON} = 2.8\text{ V}$ ,  $V_{PON,OFF} = 0\text{ V}$ ,  
 $f = 2620 - 2690\text{ MHz}$ 

Parameter	Symbol	Values			Unit	Note / Test Condition
		Min.	Typ.	Max.		
Supply voltage	$V_{CC}$	1.5	–	3.3	V	–
Supply current	$I_{CC}$	–	4.8	5.8	mA	ON-mode
		–	0.2	3	$\mu$ A	OFF-mode
Power On voltage	$V_{pon}$	1.0	–	$V_{cc}$	V	ON-mode
		0	–	0.4	V	OFF-mode
Power On current	$I_{pon}$	–	10	15	$\mu$ A	ON-mode
		–	–	1	$\mu$ A	OFF-mode
Insertion power gain	$ S_{21} ^2$	11.1	12.6	14.1	dB	–
Noise figure <sup>2)</sup>	$NF$	–	0.65	1.2	dB	$Z_S = 50\ \Omega$
Input return loss <sup>3)</sup>	$RL_{in}$	8	11	–	dB	–
Output return loss <sup>3)</sup>	$RL_{out}$	10	19	–	dB	–
Reverse isolation <sup>3)</sup>	$1/ S_{12} ^2$	16	20	–	dB	–
Power gain settling time <sup>4)5)</sup>	$t_S$	–	3	6	$\mu$ s	OFF- to ON-mode
Inband input 1dB-compression point <sup>3)</sup>	$IP_{1dB}$	-5	-1	–	dBm	–
Inband input 3 <sup>rd</sup> -order intercept point <sup>6)3)</sup>	$IIP_3$	+1	+6	–	dBm	$f_1 = 2650\text{ MHz}$ $f_2 = f_1 \pm 10\text{ MHz}$
Stability <sup>5)</sup>	$k$	–	> 1	–		$f = 20\text{ MHz} \dots 10\text{ GHz}$

1) Based on the application described in chapter 3

2) PCB losses are subtracted

3) Verification based on AQL; not 100% tested in production

4) To be within 1 dB of the final gain

5) Guaranteed by device design; not tested in production

6) Input power = -30 dBm for each tone

## 2.2 Measured RF Characteristics Band 40

**Table 6** Electrical Characteristics:<sup>1)</sup>  $T_A = 25\text{ °C}$ ,  $V_{CC} = 1.8\text{ V}$ ,  $V_{PON,ON} = 1.8\text{ V}$ ,  $V_{PON,OFF} = 0\text{ V}$ ,  
 $f = 2300 - 2400\text{ MHz}$

Parameter	Symbol	Values			Unit	Note / Test Condition
		Min.	Typ.	Max.		
Supply voltage	$V_{CC}$	1.5	–	3.3	V	–
Supply current	$I_{CC}$	–	4.7	5.7	mA	ON-mode
		–	0.2	3	μA	OFF-mode
Power On voltage	$V_{pon}$	1.0	–	$V_{CC}$	V	ON-mode
		0	–	0.4	V	OFF-mode
Power On current	$I_{pon}$	–	5	10	μA	ON-mode
		–	–	1	μA	OFF-mode
Insertion power gain	$ S_{21} ^2$	10.9	12.4	13.9	dB	–
Noise figure <sup>2)</sup>	$NF$	–	0.60	1.2	dB	$Z_S = 50\ \Omega$
Input return loss <sup>3)</sup>	$RL_{in}$	6	8	–	dB	–
Output return loss <sup>3)</sup>	$RL_{out}$	6	9	–	dB	–
Reverse isolation <sup>3)</sup>	$1/ S_{12} ^2$	17	21	–	dB	–
Power gain settling time <sup>4)5)</sup>	$t_S$	–	4	7	μs	OFF- to ON-mode
Inband input 1dB-compression point <sup>3)</sup>	$IP_{1dB}$	-9	-5	–	dBm	–
Inband input 3 <sup>rd</sup> -order intercept point <sup>6)3)</sup>	$IIP_3$	0	+5	–	dBm	$f_1 = 2350\text{ MHz}$ $f_2 = f_1 \pm 10\text{ MHz}$
Stability <sup>5)</sup>	$k$	–	> 1	–		$f = 20\text{ MHz} \dots 10\text{ GHz}$

1) Based on the application described in chapter 3

2) PCB losses are subtracted

3) Verification based on AQL; not 100% tested in production

4) To be within 1 dB of the final gain

5) Guaranteed by device design; not tested in production

6) Input power = -30 dBm for each tone

**Table 7 Electrical Characteristics:**<sup>1)</sup>  $T_A = 25\text{ °C}$ ,  $V_{CC} = 2.8\text{ V}$ ,  $V_{PON,ON} = 2.8\text{ V}$ ,  $V_{PON,OFF} = 0\text{ V}$ ,  
 $f = 2300 - 2400\text{ MHz}$ 

Parameter	Symbol	Values			Unit	Note / Test Condition
		Min.	Typ.	Max.		
Supply voltage	$V_{CC}$	1.5	–	3.3	V	–
Supply current	$I_{CC}$	–	4.8	5.8	mA	ON-mode
		–	0.2	3	μA	OFF-mode
Power On voltage	$V_{pon}$	1.0	–	$V_{cc}$	V	ON-mode
		0	–	0.4	V	OFF-mode
Power On current	$I_{pon}$	–	10	15	μA	ON-mode
		–	–	1	μA	OFF-mode
Insertion power gain	$ S_{21} ^2$	11.0	12.5	14.0	dB	–
Noise figure <sup>2)</sup>	$NF$	–	0.60	1.2	dB	$Z_S = 50\ \Omega$
Input return loss <sup>3)</sup>	$RL_{in}$	6	9	–	dB	–
Output return loss <sup>3)</sup>	$RL_{out}$	6	9	–	dB	–
Reverse isolation <sup>3)</sup>	$1/ S_{12} ^2$	17	21	–	dB	–
Power gain settling time <sup>4)5)</sup>	$t_S$	–	3	6	μs	OFF- to ON-mode
Inband input 1dB-compression point <sup>3)</sup>	$IP_{1dB}$	-6	-2	–	dBm	–
Inband input 3 <sup>rd</sup> -order intercept point <sup>6)3)</sup>	$IIP_3$	+1	+6	–	dBm	$f_1 = 2350\text{ MHz}$ $f_2 = f_1 \pm 10\text{ MHz}$
Stability <sup>5)</sup>	$k$	–	> 1	–		$f = 20\text{ MHz} \dots 10\text{ GHz}$

1) Based on the application described in chapter 3

2) PCB losses are subtracted

3) Verification based on AQL; not 100% tested in production

4) To be within 1 dB of the final gain

5) Guaranteed by device design; not tested in production

6) Input power = -30 dBm for each tone

### 3 Application Information

#### 3.1 Application Circuit Schematic Band 7

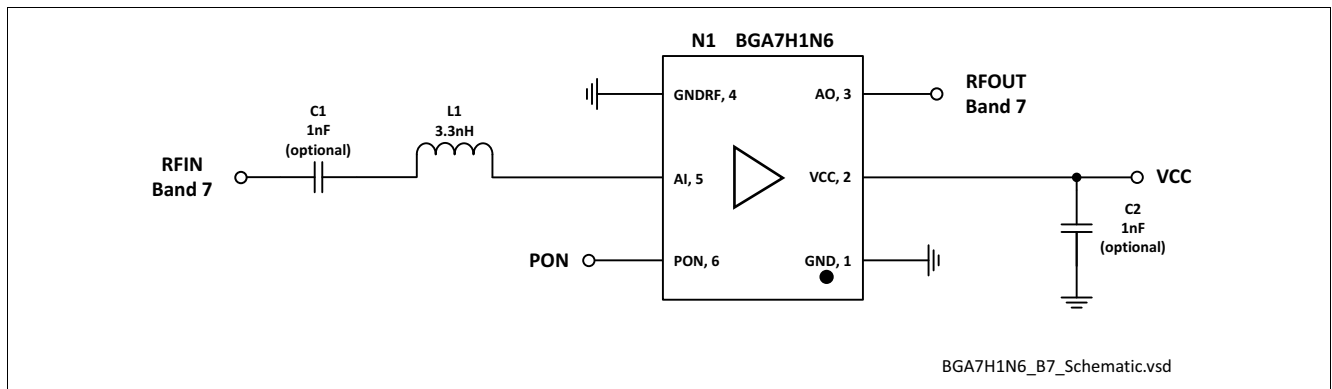


Figure 2 Application Schematic BGA7H1N6

Table 8 Bill of Materials

Name	Part Type	Package	Manufacturer	Function
C1 (optional)	Chip capacitor	0402	Various	DC block <sup>1)</sup>
C2 (optional)	$\geq 1\text{nF}^2)$	0402	Various	RF bypass <sup>3)</sup>
L1	Chip inductor	0402	Murata LQW type	Input matching
N1	BGA7H1N6	TSNP-6-2	Infineon	SiGe LNA

1) DC block might be realized with pre-filter in LTE applications

2) For data sheet characteristics 1nF used

3) RF bypass recommended to mitigate power supply noise

A list of all application notes is available at <http://www.infineon.com/gpslna.appnotes>.

### 3.2 Application Circuit Schematic Band 40

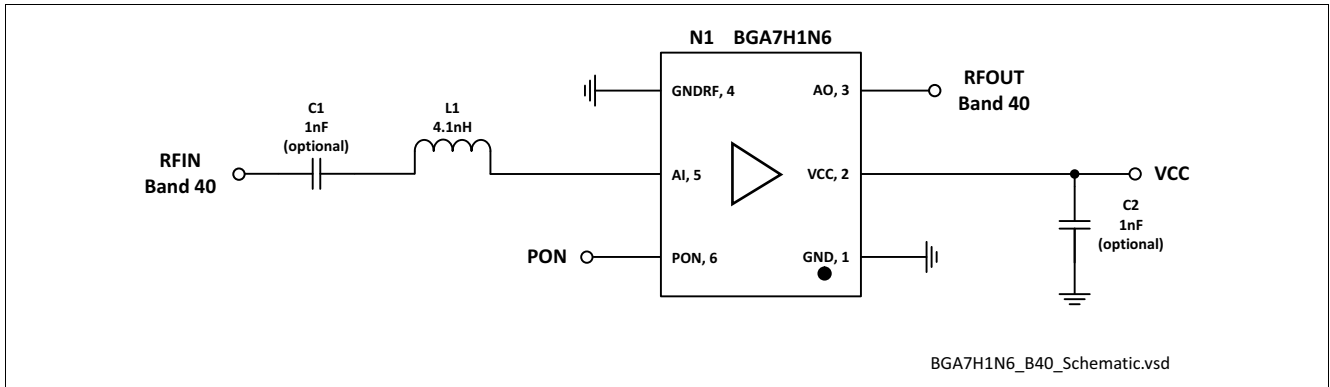


Figure 3 Application Schematic BGA7H1N6

Table 9 Bill of Materials

Name	Part Type	Package	Manufacturer	Function
C1 (optional)	Chip capacitor	0402	Various	DC block <sup>1)</sup>
C2 (optional)	$\geq 1\text{nF}^2)$	0402	Various	RF bypass <sup>3)</sup>
L1	Chip inductor	0402	Murata LQW type	Input matching
N1	BGA7H1N6	TSNP-6-2	Infineon	SiGe LNA

1) DC block might be realized with pre-filter in LTE applications

2) For data sheet characteristics 1nF used

3) RF bypass recommended to mitigate power supply noise

A list of all application notes is available at <http://www.infineon.com/gpslna.appnotes>.

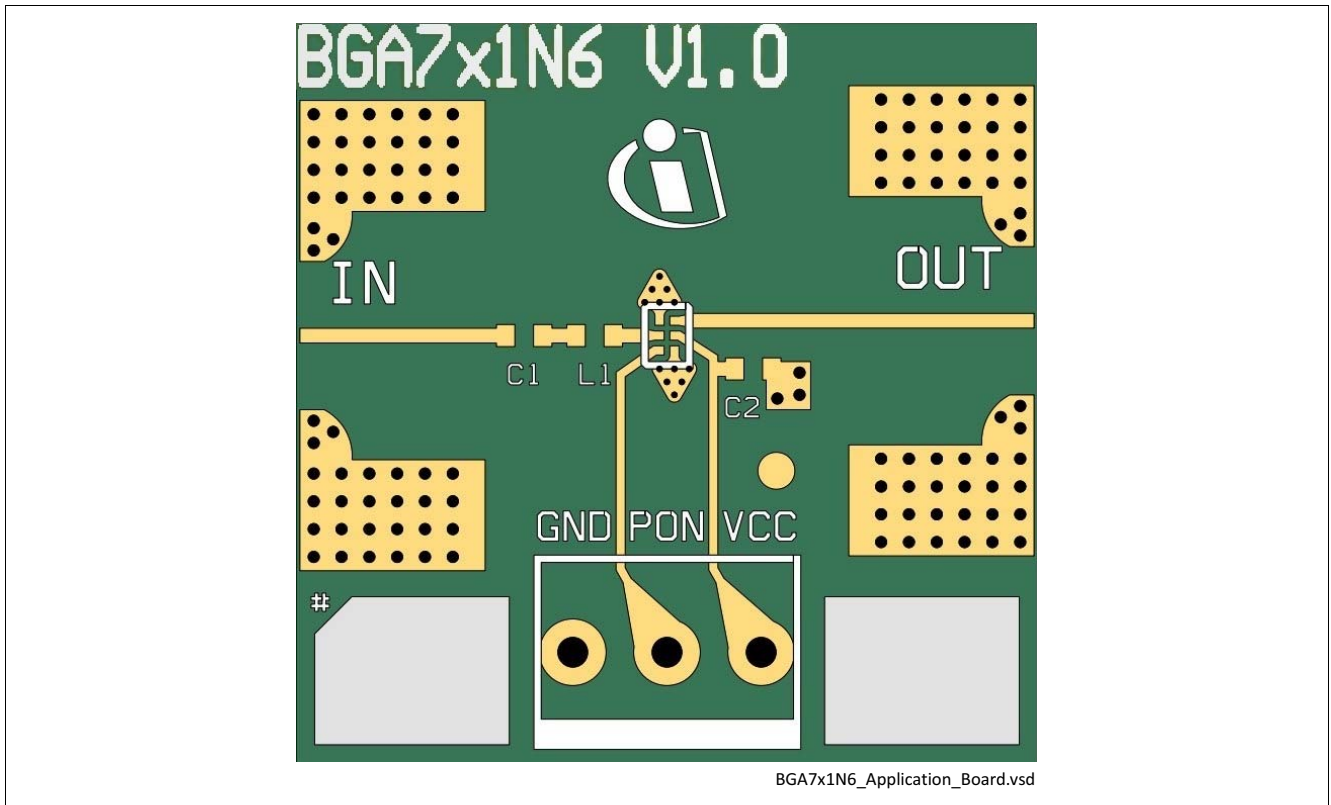


Figure 4 Drawing of Application Board

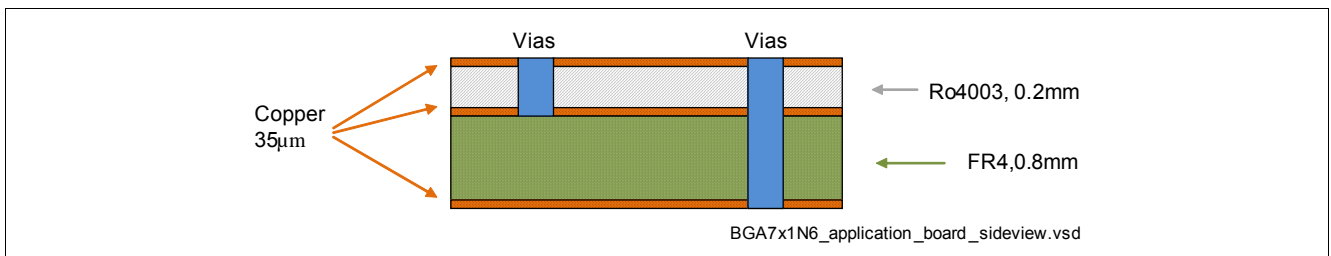


Figure 5 Application Board Cross-Section



## 4 Package Information

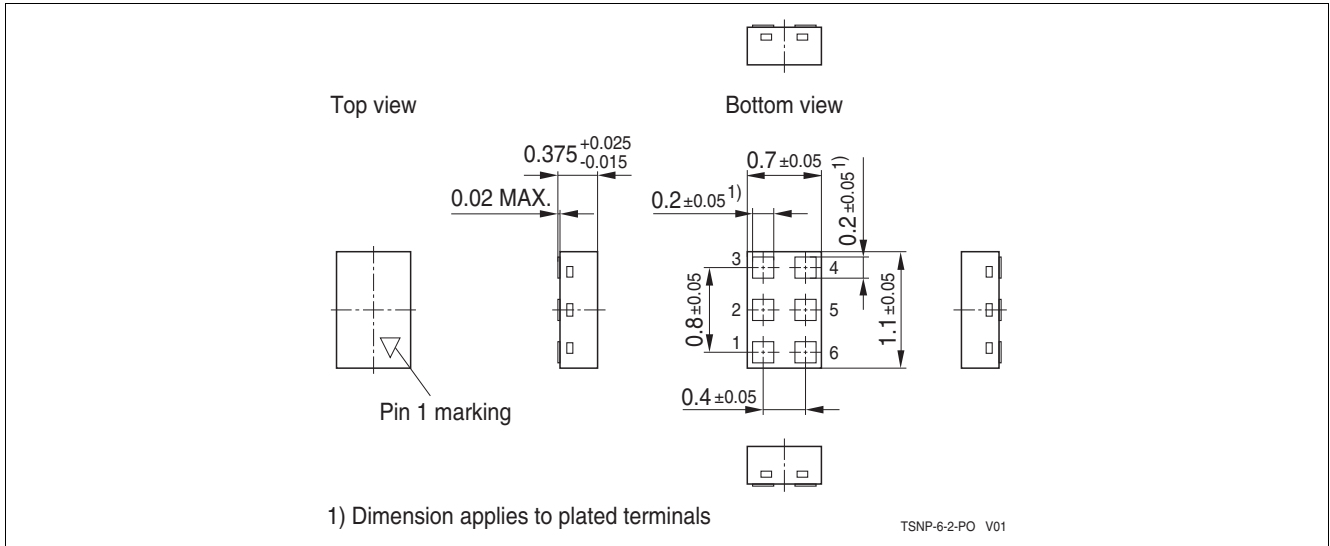


Figure 6 TSNP-6-2 Package Outline (top, side and bottom views)

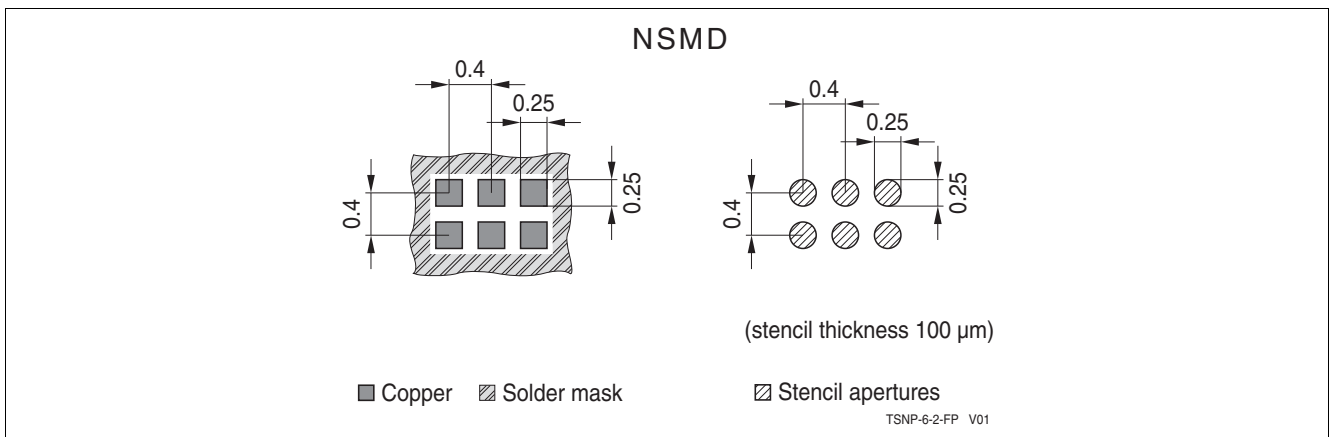


Figure 7 Footprint Recommendation TSNP-6-2

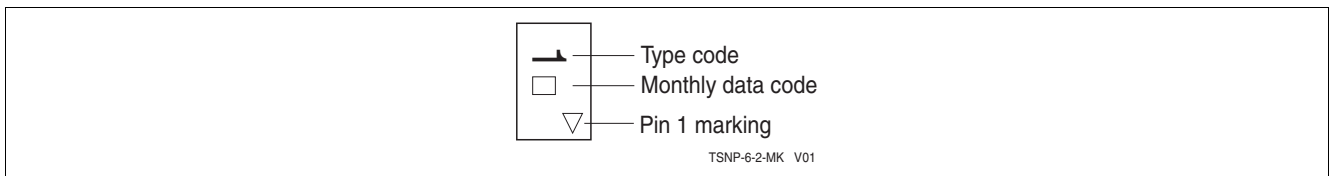


Figure 8 Marking Layout (top view)

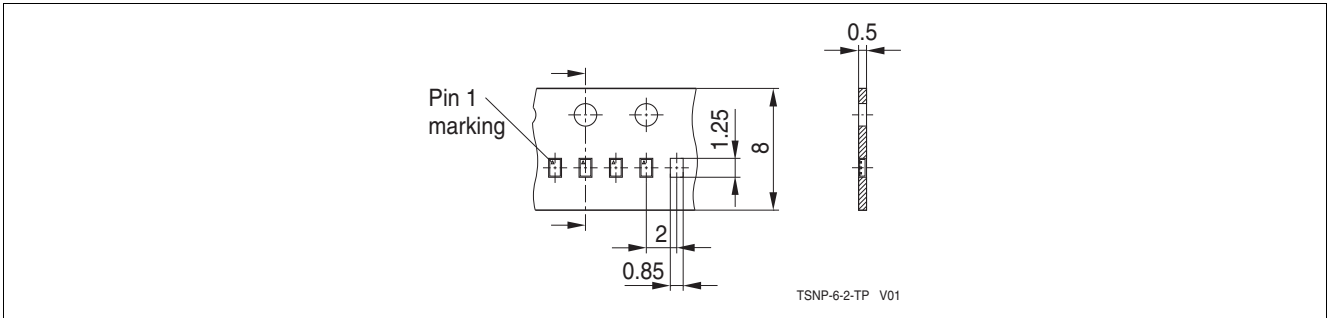


Figure 9 Tape & Reel Dimensions (reel diameter 180 mm, pieces/reel 15000)

www.infineon.com

Published by Infineon Technologies AG

Downloaded From [Oneyac.com](https://www.oneyac.com)

单击下面可查看定价，库存，交付和生命周期等信息

[>>Infineon Technologies\(英飞凌\)](#)