

**RADIATION HARDENED  
 LOGIC LEVEL POWER MOSFET  
 SURFACE MOUNT (SMD-0.5)**

**2N7606U3  
 IRHLNJ77034  
 60V, N-CHANNEL  
 R7 TECHNOLOGY**

**Product Summary**

| Part Number | Radiation Level | R <sub>DS(on)</sub> | I <sub>D</sub> |
|-------------|-----------------|---------------------|----------------|
| IRHLNJ77034 | 100K Rads (Si)  | 0.039Ω              | 22A*           |
| IRHLNJ73034 | 300K Rads (Si)  | 0.039Ω              | 22A*           |



International Rectifier's R7™ Logic Level Power MOSFETs provide simple solution to interfacing CMOS and TTL control circuits to power devices in space and other radiation environments. The threshold voltage remains within acceptable operating limits over the full operating temperature and post radiation. This is achieved while maintaining single event gate rupture and single event burnout immunity.

The device is ideal when used to interface directly with most logic gates, linear IC's, micro-controllers, and other device types that operate from a 3.3-5V source. It may also be used to increase the output current of a PWM, voltage comparator or an operational amplifier where the logic level drive signal is available.

**Features:**

- 5V CMOS and TTL Compatible
- Fast Switching
- Single Event Effect (SEE) Hardened
- Low Total Gate Charge
- Simple Drive Requirements
- Ease of Paralleling
- Hermetically Sealed
- Ceramic Package
- Surface Mount
- Light Weight
- ESD Rating: Class 1B per MIL-STD-750, Method 1020

**Absolute Maximum Ratings**

**Pre-Irradiation**

|   | Parameter                       |               | Units |
|---|---------------------------------|---------------|-------|
| I <sub>D</sub> @ V <sub>GS</sub> = 4.5V, T <sub>C</sub> = 25°C  | Continuous Drain Current        | 22*           | A     |
| I <sub>D</sub> @ V <sub>GS</sub> = 4.5V, T <sub>C</sub> = 100°C | Continuous Drain Current        | 20            |       |
| I <sub>DM</sub>   | Pulsed Drain Current ①          | 88            |       |
| P <sub>D</sub> @ T <sub>C</sub> = 25°C                          | Max. Power Dissipation          | 57            | W     |
|   | Linear Derating Factor          | 0.45          | W/°C  |
| V <sub>GS</sub>   | Gate-to-Source Voltage          | ±10           | V     |
| EAS   | Single Pulse Avalanche Energy ② | 63            | mJ    |
| I <sub>AR</sub>   | Avalanche Current ①             | 22            | A     |
| EAR   | Repetitive Avalanche Energy ①   | 5.7           | mJ    |
| dv/dt   | Peak Diode Recovery dv/dt ③     | 8.8           | V/ns  |
| T <sub>J</sub>  | Operating Junction              | -55 to 150    | °C    |
| T <sub>STG</sub>  | Storage Temperature Range       |               |       |
|   | Pckg. Mounting Surface Temp.    | 300 (for 5s)  |       |
|   | Weight                          | 1.0 (Typical) | g     |

\* Current is limited by package

For footnotes refer to the last page

www.irf.com

**Electrical Characteristics @ T<sub>j</sub> = 25°C (Unless Otherwise Specified)**

|                          | Parameter                                    | Min | Typ   | Max   | Units | Test Conditions   |
|--------------------------|--|-----|-------|-------|-------|---|
| BVDSS                    | Drain-to-Source Breakdown Voltage            | 60  | —     | —     | V     | V <sub>GS</sub> = 0V, I <sub>D</sub> = 250μA  |
| ΔBVDSS/ΔT <sub>J</sub>   | Temperature Coefficient of Breakdown Voltage | —   | 0.068 | —     | V/°C  | Reference to 25°C, I <sub>D</sub> = 1.0mA   |
| RDS(on)                  | Static Drain-to-Source On-State Resistance   | —   | —     | 0.039 | Ω     | V <sub>GS</sub> = 4.5V, I <sub>D</sub> = 20A ④  |
| VGS(th)                  | Gate Threshold Voltage                       | 1.0 | —     | 2.0   | V     | V <sub>DS</sub> = V <sub>GS</sub> , I <sub>D</sub> = 250μA                                    |
| ΔVGS(th)/ΔT <sub>J</sub> | Gate Threshold Voltage Coefficient           | —   | -4.9  | —     | mV/°C |   |
| g <sub>fs</sub>          | Forward Transconductance                     | 15  | —     | —     | S     | V <sub>DS</sub> = 10V, I <sub>DS</sub> = 20A ④  |
| I <sub>DSS</sub>         | Zero Gate Voltage Drain Current              | —   | —     | 1.0   | μA    | V <sub>DS</sub> = 48V, V <sub>GS</sub> = 0V   |
|                          |  | —   | —     | 10    |       | V <sub>DS</sub> = 48V,<br>V <sub>GS</sub> = 0V, T <sub>J</sub> = 125°C                        |
| I <sub>GSS</sub>         | Gate-to-Source Leakage Forward               | —   | —     | 100   | nA    | V <sub>GS</sub> = 10V   |
| I <sub>GSS</sub>         | Gate-to-Source Leakage Reverse               | —   | —     | -100  |       | V <sub>GS</sub> = -10V  |
| Q <sub>g</sub>           | Total Gate Charge                            | —   | —     | 34    | nC    | V <sub>GS</sub> = 4.5V, I <sub>D</sub> = 22A<br>V <sub>DS</sub> = 30V                         |
| Q <sub>gs</sub>          | Gate-to-Source Charge                        | —   | —     | 8.0   |       |   |
| Q <sub>gd</sub>          | Gate-to-Drain ('Miller') Charge              | —   | —     | 16    |       |   |
| t <sub>d(on)</sub>       | Turn-On Delay Time                           | —   | —     | 26    | ns    | V <sub>DD</sub> = 30V, I <sub>D</sub> = 22A,<br>V <sub>GS</sub> = 5.0V, R <sub>G</sub> = 7.5Ω |
| t <sub>r</sub>           | Rise Time                                    | —   | —     | 145   |       |   |
| t <sub>d(off)</sub>      | Turn-Off Delay Time                          | —   | —     | 54    |       |   |
| t <sub>f</sub>           | Fall Time                                    | —   | —     | 30    |       |   |
| LS + LD                  | Total Inductance                             | —   | 4.0   | —     | nH    | Measured from the center of drain pad to center of source pad                                 |
| C <sub>iss</sub>         | Input Capacitance                            | —   | 2015  | —     | pF    | V <sub>GS</sub> = 0V, V <sub>DS</sub> = 25V<br>f = 1.0MHz                                     |
| C <sub>oss</sub>         | Output Capacitance                           | —   | 488   | —     |       |   |
| C <sub>rss</sub>         | Reverse Transfer Capacitance                 | —   | 4.5   | —     |       |   |
| R <sub>g</sub>           | Gate Resistance                              | —   | 1.45  | —     |       |   |

**Source-Drain Diode Ratings and Characteristics**

|                 | Parameter                              | Min   | Typ | Max | Units | Test Conditions  |
|-----------------|--|---|-----|-----|-------|--|
| I <sub>S</sub>  | Continuous Source Current (Body Diode) | —   | —   | 22* | A     | T <sub>j</sub> = 25°C, I <sub>S</sub> = 22A, V <sub>GS</sub> = 0V④ |
| I <sub>SM</sub> | Pulse Source Current (Body Diode)①     | —   | —   | 88  |       |  |
| V <sub>SD</sub> | Diode Forward Voltage                  | —   | —   | 1.2 | V     | T <sub>j</sub> = 25°C, I <sub>F</sub> = 22A, di/dt ≤ 100A/μs       |
| t <sub>rr</sub> | Reverse Recovery Time                  | —   | —   | 160 | ns    | V <sub>DD</sub> ≤ 25V ④  |
| Q <sub>RR</sub> | Reverse Recovery Charge                | —   | —   | 704 | nC    |  |
| t <sub>on</sub> | Forward Turn-On Time                   | Intrinsic turn-on time is negligible. Turn-on speed is substantially controlled by LS + LD. |     |     |       |  |

\* Current is limited by package

**Thermal Resistance**

|                   | Parameter        | Min | Typ | Max | Units | Test Conditions |
|-------------------|------------------|-----|-----|-----|-------|-----------------|
| R <sub>thJC</sub> | Junction-to-Case | —   | —   | 2.2 | °C/W  |                 |

Note: Corresponding Spice and Saber models are available on International Rectifier Web site.

For footnotes refer to the last page

## Radiation Characteristics

IRHLNJ77034, 2N7606U3

International Rectifier Radiation Hardened MOSFETs are tested to verify their radiation hardness capability. The hardness assurance program at International Rectifier is comprised of two radiation environments. Every manufacturing lot is tested for total ionizing dose (per notes 5 and 6) using the TO-3 package. Both pre- and post-irradiation performance are tested and specified using the same drive circuitry and test conditions in order to provide a direct comparison.

**Table 1. Electrical Characteristics @ Tj = 25°C, Post Total Dose Irradiation** ⓈⓈ

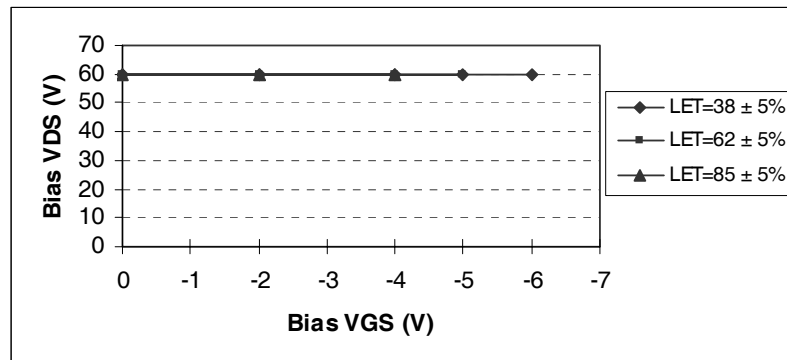
|                     | Parameter   | Upto 300K Rads (Si) <sup>1</sup> |       | Units | Test Conditions  |
|---------------------|---|----------------------------------|-------|-------|--|
|                     |   | Min                              | Max   |       |  |
| BV <sub>DSS</sub>   | Drain-to-Source Breakdown Voltage                                 | 60                               | —     | V     | V <sub>GS</sub> = 0V, I <sub>D</sub> = 250μA               |
| V <sub>GS(th)</sub> | Gate Threshold Voltage  | 1.0                              | 2.0   |       | V <sub>GS</sub> = V <sub>DS</sub> , I <sub>D</sub> = 250μA |
| I <sub>GSS</sub>    | Gate-to-Source Leakage Forward                                    | —                                | 100   | nA    | V <sub>GS</sub> = 10V                                      |
| I <sub>GSS</sub>    | Gate-to-Source Leakage Reverse                                    | —                                | -100  |       | V <sub>GS</sub> = -10V                                     |
| I <sub>DSS</sub>    | Zero Gate Voltage Drain Current                                   | —                                | 1.0   | μA    | V <sub>DS</sub> = 48V, V <sub>GS</sub> = 0V                |
| R <sub>DS(on)</sub> | Static Drain-to-Source On-State Resistance (TO-3) <sup>④</sup>    | —                                | 0.045 | Ω     | V <sub>GS</sub> = 4.5V, I <sub>D</sub> = 20A               |
| R <sub>DS(on)</sub> | Static Drain-to-Source On-state Resistance (SMD-0.5) <sup>④</sup> | —                                | 0.039 | Ω     | V <sub>GS</sub> = 4.5V, I <sub>D</sub> = 20A               |
| V <sub>SD</sub>     | Diode Forward Voltage <sup>④</sup>                                | —                                | 1.2   | V     | V <sub>GS</sub> = 0V, I <sub>D</sub> = 22A                 |

1. Part numbers IRHLNJ77034, IRHLNJ73034

International Rectifier radiation hardened MOSFETs have been characterized in heavy ion environment for Single Event Effects (SEE). Single Event Effects characterization is illustrated in Fig. a and Table 2.

**Table 2. Typical Single Event Effect Safe Operating Area**

| LET<br>(MeV/(mg/cm <sup>2</sup> )) | Energy<br>(MeV) | Range<br>(μm) | VDS (V) |          |          |          |          |          |
|------------------------------------|-----------------|---------------|---------|----------|----------|----------|----------|----------|
|                                    |                 |               | @VGS=0V | @VGS=-2V | @VGS=-4V | @VGS=-5V | @VGS=-6V | @VGS=-7V |
| 38 ± 5%                            | 300 ± 7.5%      | 38 ± 7.5%     | 60      | 60       | 60       | 60       | 60       | -        |
| 62 ± 5%                            | 355 ± 7.5%      | 33 ± 7.5%     | 60      | 60       | 60       | 60       | -        | -        |
| 85 ± 5%                            | 380 ± 7.5%      | 29 ± 7.5%     | 60      | 60       | 60       | -        | -        | -        |



**Fig a. Typical Single Event Effect, Safe Operating Area**

For footnotes refer to the last page

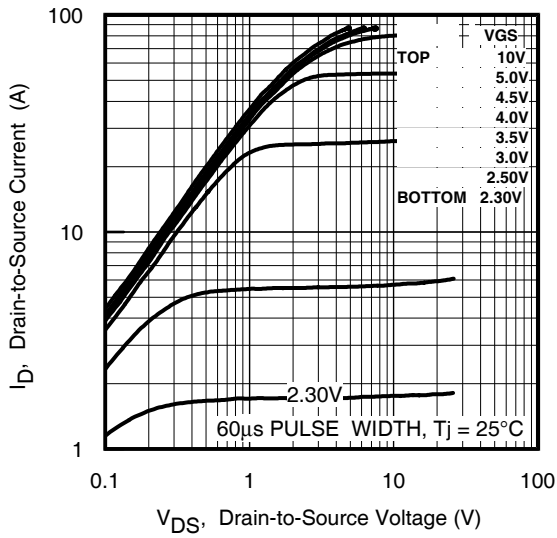


Fig 1. Typical Output Characteristics

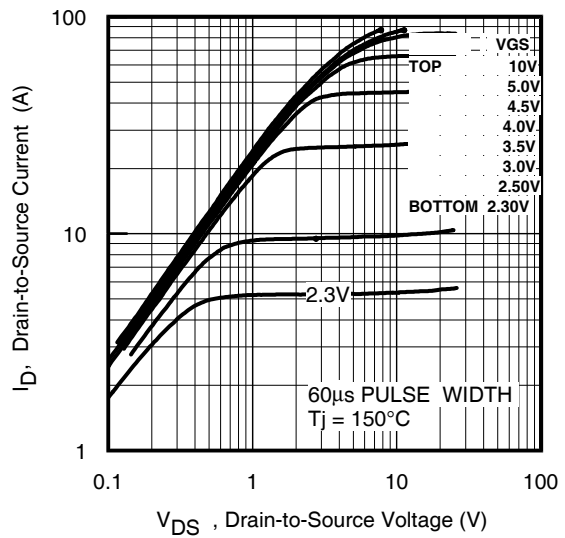


Fig 2. Typical Output Characteristics

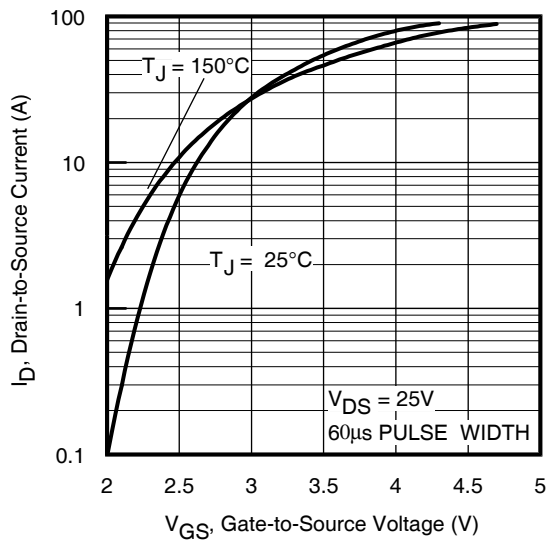


Fig 3. Typical Transfer Characteristics

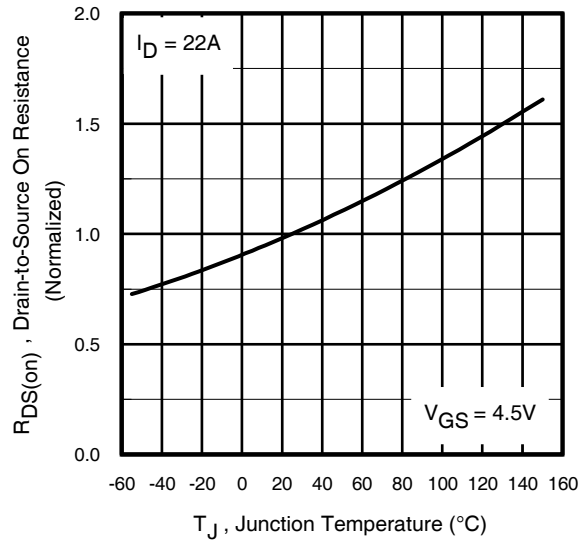


Fig 4. Normalized On-Resistance Vs. Temperature

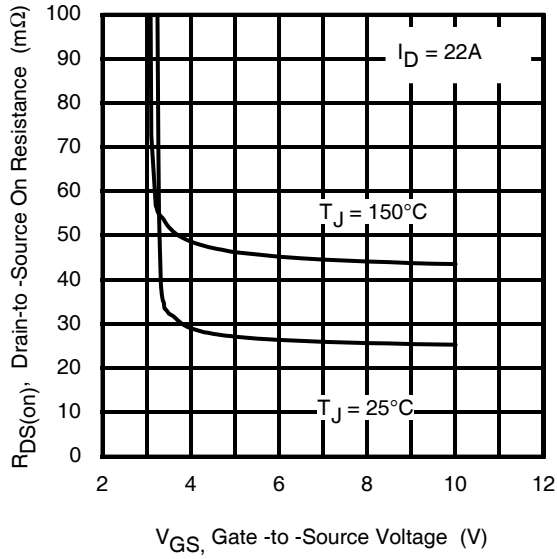


Fig 5. Typical On-Resistance Vs Gate Voltage

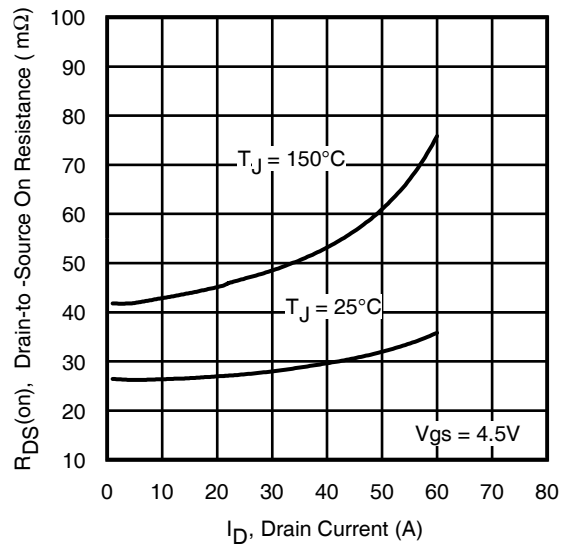


Fig 6. Typical On-Resistance Vs Drain Current

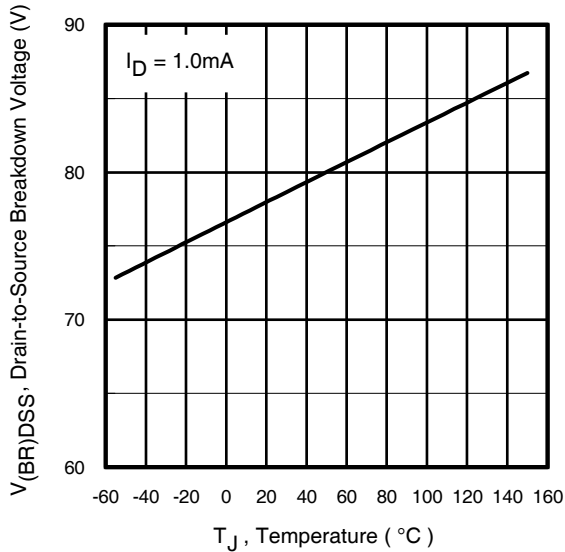


Fig 7. Typical Drain-to-Source Breakdown Voltage Vs Temperature

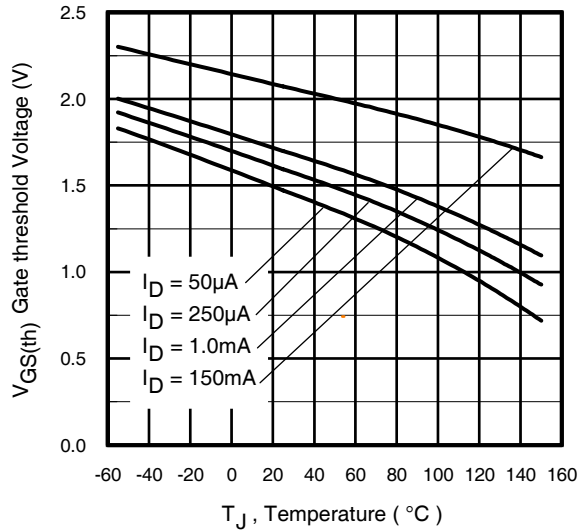


Fig 8. Typical Threshold Voltage Vs Temperature

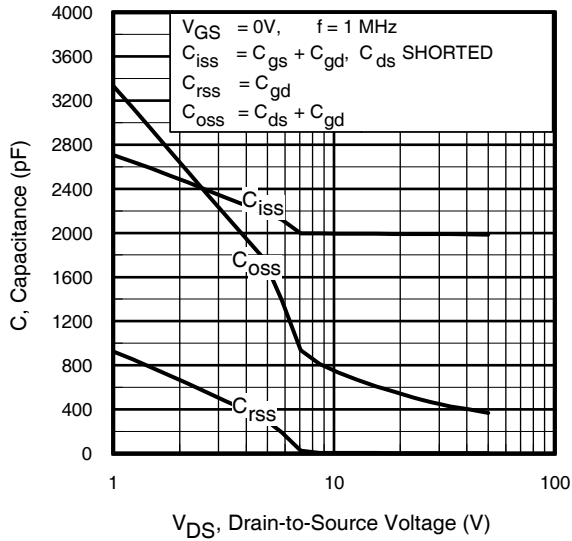


Fig 9. Typical Capacitance Vs. Drain-to-Source Voltage

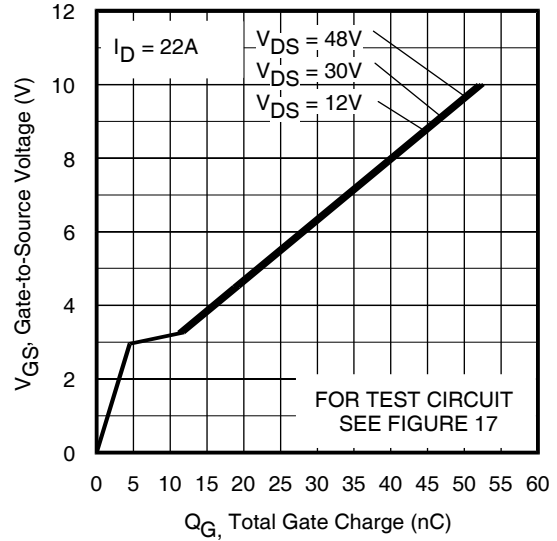


Fig 10. Typical Gate Charge Vs. Gate-to-Source Voltage

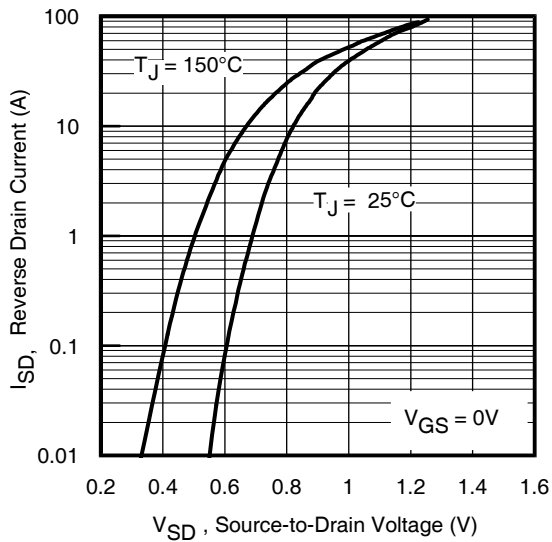


Fig 11. Typical Source-to-Drain Diode Forward Voltage

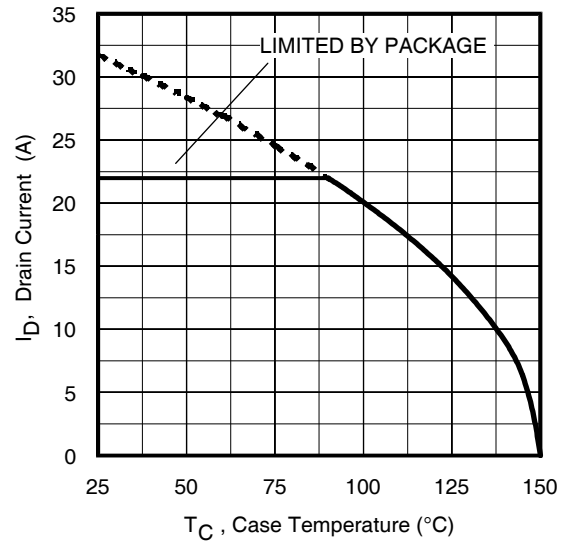


Fig 12. Maximum Drain Current Vs. Case Temperature

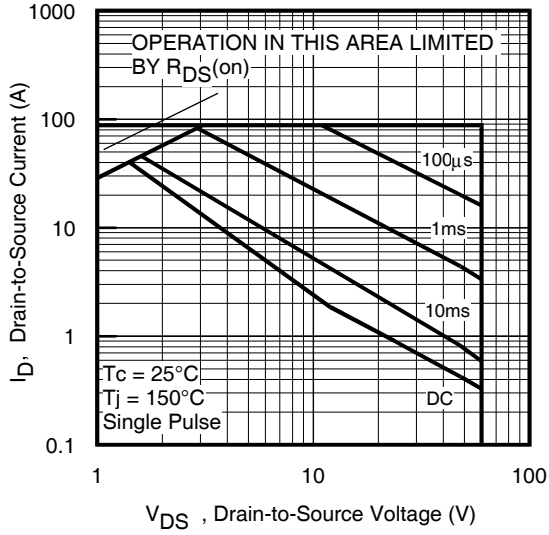


Fig 13. Maximum Safe Operating Area

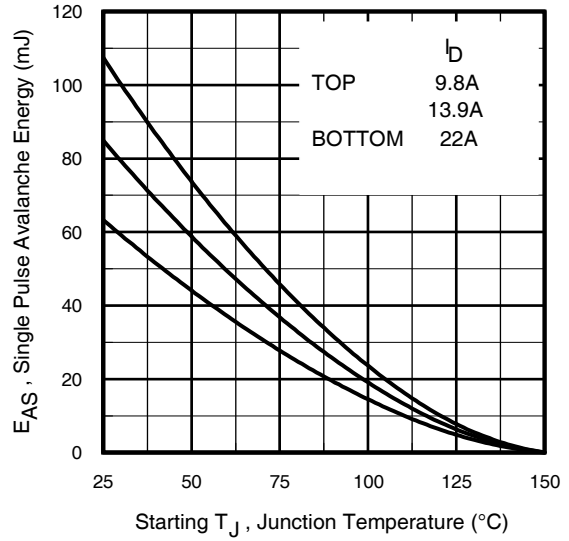


Fig 14. Maximum Avalanche Energy Vs. Drain Current

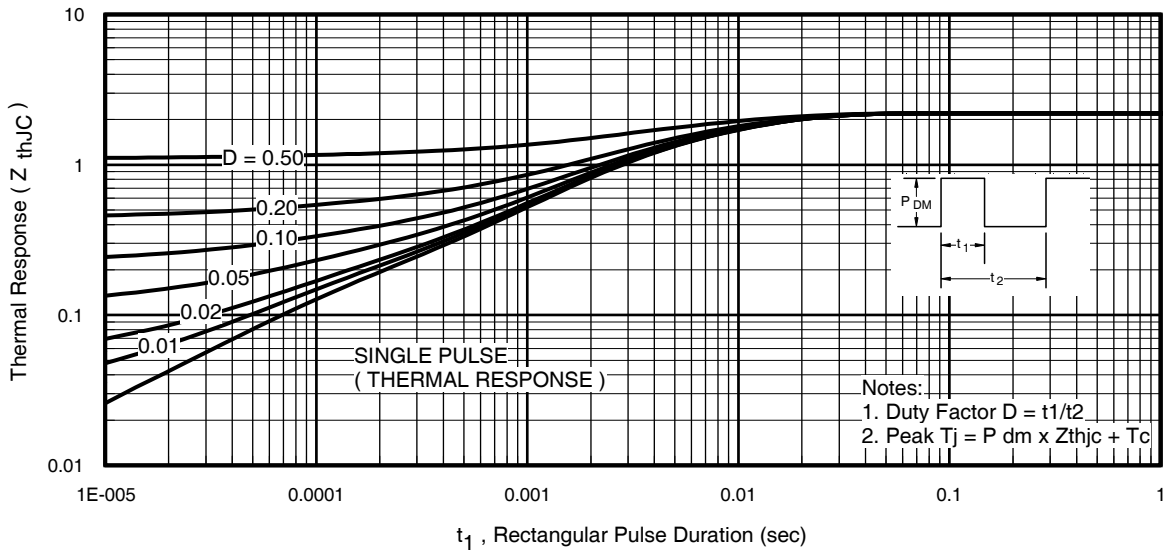


Fig 15. Maximum Effective Transient Thermal Impedance, Junction-to-Case

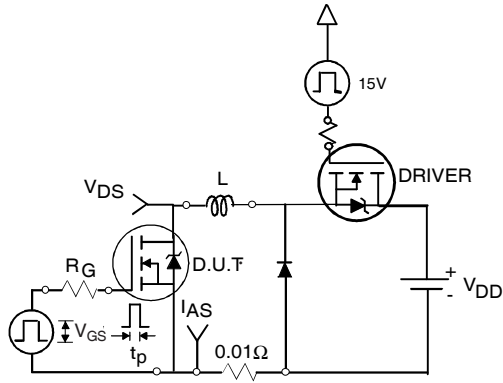


Fig 16a. Unclamped Inductive Test Circuit

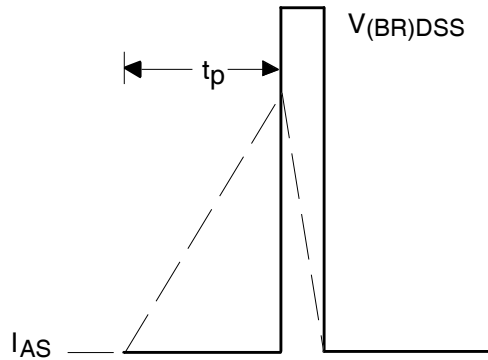


Fig 16b. Unclamped Inductive Waveforms

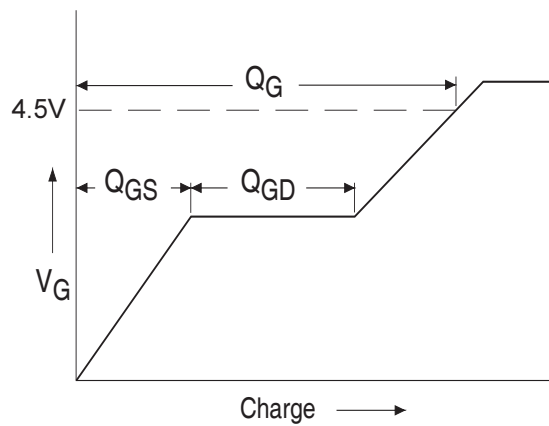


Fig 17a. Basic Gate Charge Waveform

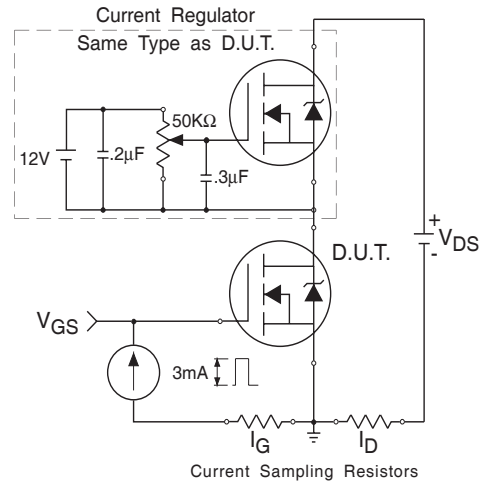


Fig 17b. Gate Charge Test Circuit

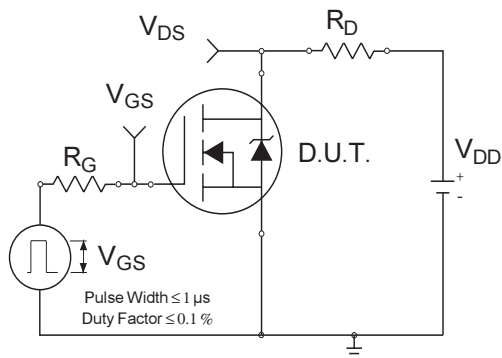


Fig 18a. Switching Time Test Circuit

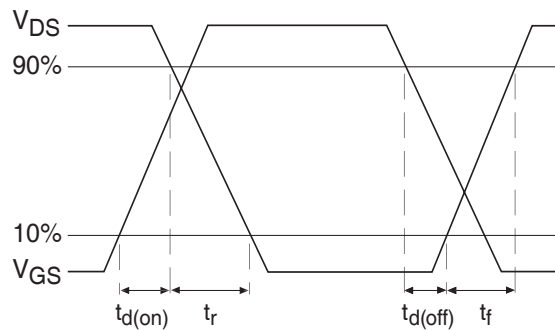


Fig 18b. Switching Time Waveforms



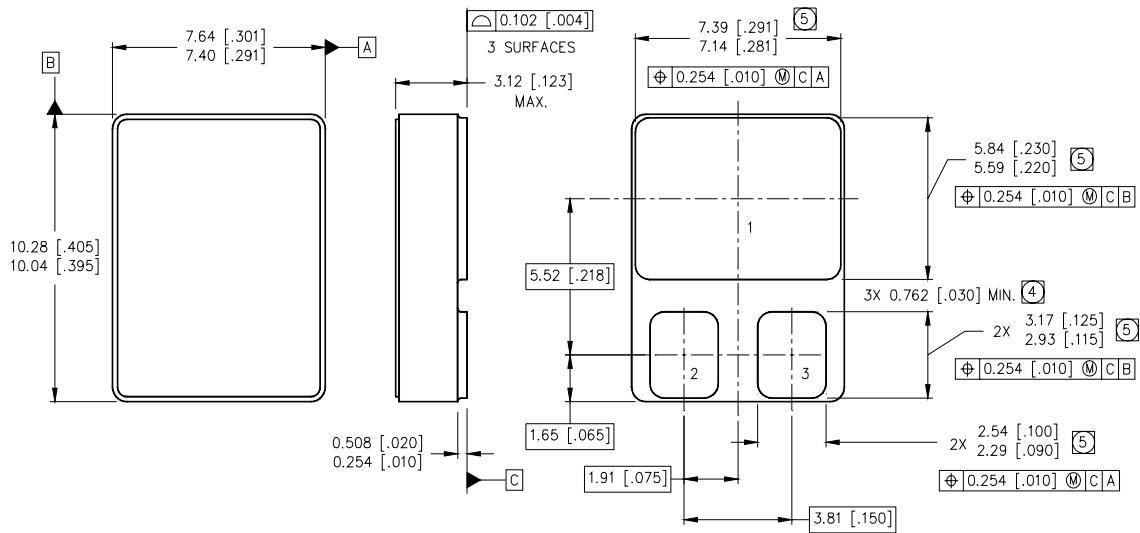
## Pre-Irradiation

IRHLNJ77034, 2N7606U3

### Footnotes:

- ① Repetitive Rating; Pulse width limited by maximum junction temperature.
- ②  $V_{DD} = 25V$ , starting  $T_J = 25^\circ C$ ,  $L = 0.26mH$   
Peak  $I_L = 22A$ ,  $V_{GS} = 10V$
- ③  $I_{SD} \leq 22A$ ,  $di/dt \leq 328A/\mu s$ ,  
 $V_{DD} \leq 60V$ ,  $T_J \leq 150^\circ C$
- ④ Pulse width  $\leq 300 \mu s$ ; Duty Cycle  $\leq 2\%$
- ⑤ **Total Dose Irradiation with  $V_{GS}$  Bias.**  
10 volt  $V_{GS}$  applied and  $V_{DS} = 0$  during irradiation per MIL-STD-750, method 1019, condition A.
- ⑥ **Total Dose Irradiation with  $V_{DS}$  Bias.**  
48 volt  $V_{DS}$  applied and  $V_{GS} = 0$  during irradiation per MIL-STD-750, method 1019, condition A.

### Case Outline and Dimensions — SMD-0.5



#### NOTES:

1. DIMENSIONING & TOLERANCING PER ASME Y14.5M-1994.
2. CONTROLLING DIMENSION: INCH.
3. DIMENSIONS ARE SHOWN IN MILLIMETERS [INCHES].

- ④ DIMENSION INCLUDES METALLIZATION FLASH.
- ⑤ DIMENSION DOES NOT INCLUDE METALLIZATION FLASH.

#### PAD ASSIGNMENTS

- 1 = DRAIN
- 2 = GATE
- 3 = SOURCE

International  
**IR** Rectifier

AN INFINEON TECHNOLOGIES COMPANY

IR WORLD HEADQUARTERS: 101 N Sepulveda Blvd., El Segundo, California 90245, USA Tel: (310) 252-7105

IR LEOMINSTER : 205 Crawford St., Leominster, Massachusetts 01453, USA Tel: (978) 534-5776

TAC Fax: (310) 252-7903

Visit us at [www.irf.com](http://www.irf.com) for sales contact information.

Data and specifications subject to change without notice. 10/2015

单击下面可查看定价，库存，交付和生命周期等信息

[>>Infineon Technologies\(英飞凌\)](#)