

# CIPOS™ Mini

## IM512-L6A

### Description

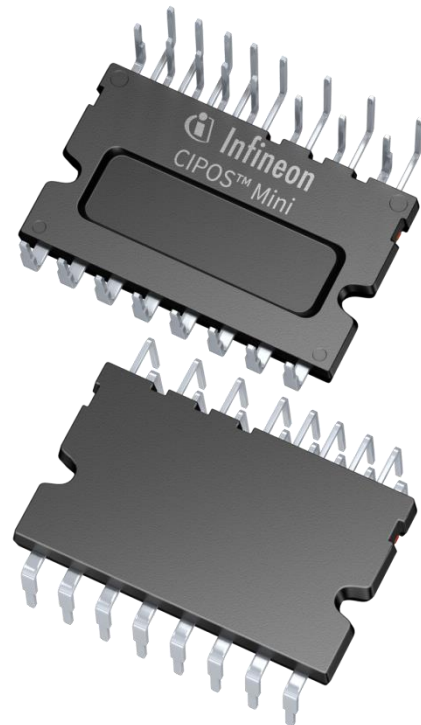
The CIPOS™ Mini family offers the chance for integrating various power and control components to increase reliability, optimize PCB size and system costs.

It is designed to control two phase AC motors for applications like refrigerator with linear compressor. The package concept is specially adapted to power applications, which need good thermal conduction and electrical isolation, but also EMI-save control and overload protection.

2Φ-bridges with CoolMOS™ CFD2 Power MOSFETs are combined with an optimized SOI gate driver for excellent electrical performance.

### Features

- Fully isolated Dual In-Line molded module
- 650V CoolMOS™ CFD2 Power MOSFETs
- Rugged SOI gate driver technology with stability against transient and negative voltage
- Allowable negative VS potential up to -11V for signal transmission at VBS=15V
- Integrated bootstrap functionality
- Over current shutdown
- Built-in NTC thermistor for temperature monitor
- Under-voltage lockout at all channels
- Low side source pins accessible for all phase current monitoring (open source)
- Cross-conduction prevention
- All of 4 switches turn off during protection
- Lead-free terminal plating; RoHS compliant



### Potential applications

- Two phase linear compressor for Refrigerators and single phase low power motor drives

### Product validation

Qualified for industrial applications according to the relevant tests of JEDEC47/20/22.

**Table 1** Part Ordering Table

Base Part Number	Package Type	Standard Pack		Orderable Part Number
		Form	Quantity	
IM512-L6A	DIP	20 tubes	280 pcs	IM512L6AXKMA1

Table of Contents

Table of Contents

<b>1</b>	<b>Internal Electrical Schematic</b> .....	<b>3</b>
<b>2</b>	<b>Pin Description</b> .....	<b>4</b>
2.1	Pin Assignment.....	4
2.2	Pin Description .....	5
<b>3</b>	<b>Absolute Maximum Ratings</b> .....	<b>7</b>
3.1	Module Section .....	7
3.2	Inverter Section.....	7
3.3	Control Section .....	7
<b>4</b>	<b>Thermal Characteristics</b> .....	<b>8</b>
<b>5</b>	<b>Recommended Operation Conditions</b> .....	<b>9</b>
<b>6</b>	<b>Static Parameters</b> .....	<b>10</b>
6.1	Inverter Section.....	10
6.2	Control Section .....	10
<b>7</b>	<b>Dynamic Parameters</b> .....	<b>11</b>
7.1	Inverter Section.....	11
<b>8</b>	<b>Thermistor</b> .....	<b>12</b>
<b>9</b>	<b>Mechanical Characteristics and Ratings</b> .....	<b>13</b>
<b>10</b>	<b>Qualification Information</b> .....	<b>14</b>
<b>11</b>	<b>Diagrams and Tables</b> .....	<b>15</b>
11.1	T <sub>c</sub> Measurement Point.....	15
11.2	Backside Curvature Measurement Point.....	15
11.3	Switching Time Definition .....	16
<b>12</b>	<b>Application Guide</b> .....	<b>17</b>
12.1	Typical Application Schematic.....	17
12.2	Performance Chart.....	18
<b>13</b>	<b>Package Outline</b> .....	<b>19</b>
	Revision history .....	Error! Bookmark not defined.

# 1 Internal Electrical Schematic

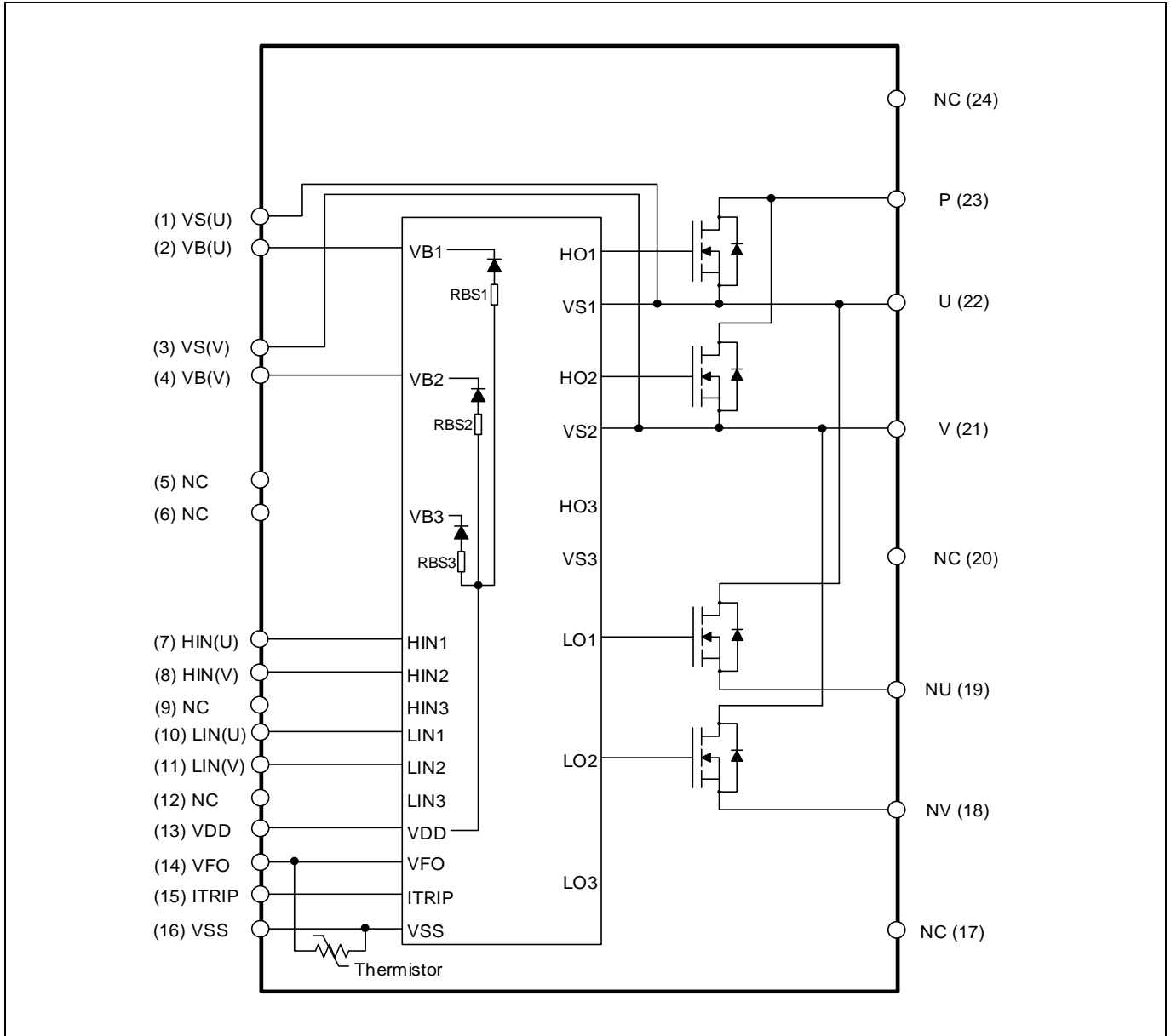


Figure 1 Internal electrical schematic

## 2 Pin Description

### 2.1 Pin Assignment

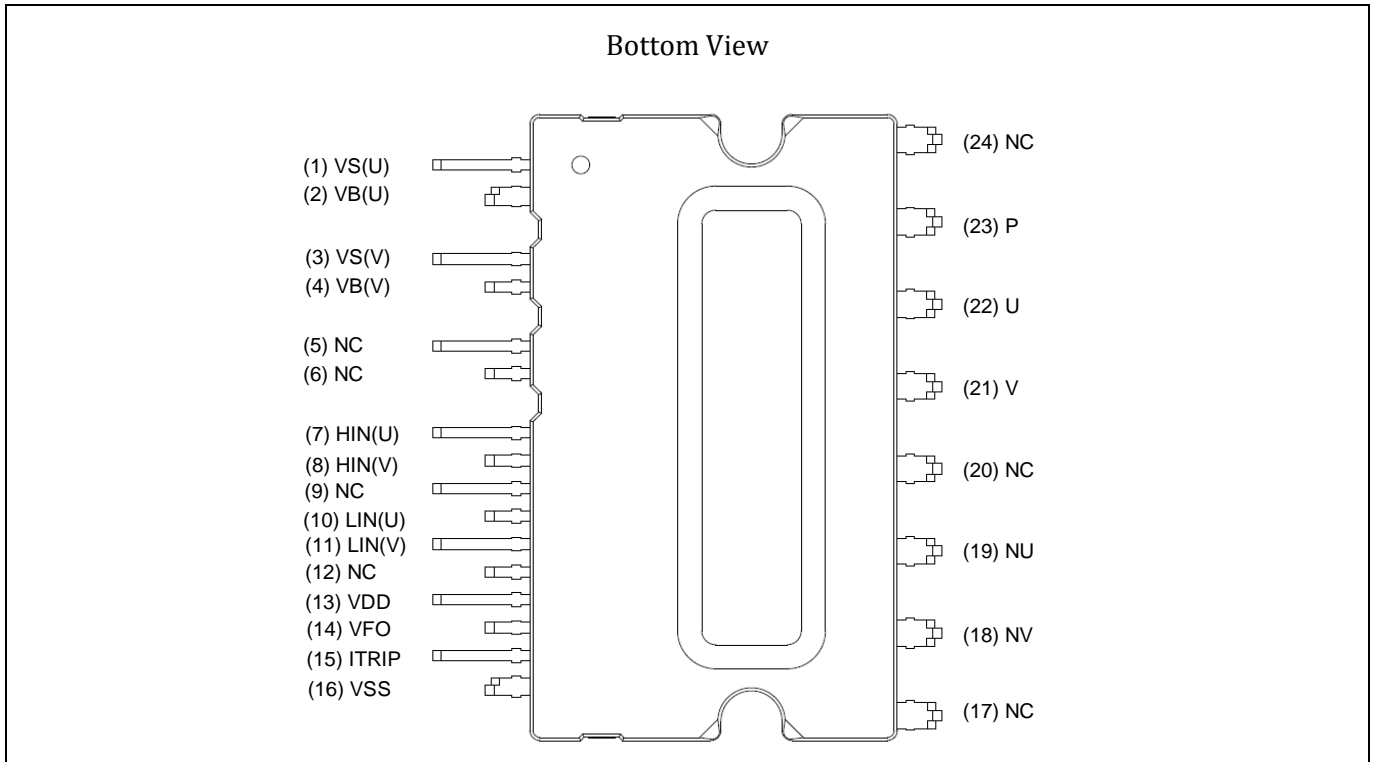


Figure 2 Pin configuration

Table 1 Pin assignment

Pin Number	Pin name	Pin Description
1	VS(U)	U-phase high side floating IC supply offset voltage
2	VB(U)	U-phase high side floating IC supply voltage
3	VS(V)	V-phase high side floating IC supply offset voltage
4	VB(V)	V-phase high side floating IC supply voltage
5	NC	No Connection
6	NC	No Connection
7	HIN(U)	U-phase high side gate driver input
8	HIN(V)	V-phase high side gate driver input
9	NC	No Connection
10	LIN(U)	U-phase low side gate driver input
11	LIN(V)	V-phase low side gate driver input
12	NC	No Connection
13	VDD	Low side control supply
14	VFO	Fault output / Temperature monitor
15	ITRIP	Over current shutdown input
16	VSS	Low side control negative supply
17	NC	No Connection

Pin Description

Pin Number	Pin name	Pin Description
18	NV	V-phase low side source
19	NU	U-phase low side source
20	NC	No Connection
21	V	Motor V-phase output
22	U	Motor U-phase output
23	P	Positive bus input voltage
24	NC	No Connection

## 2.2 Pin Description

### HIN(U, V) and LIN(U, V) (Low side and high side control pins, Pin 7, 8, 10 and 11)

These pins are positive logic and they are responsible for the control of the integrated MOSFET. The Schmitt-trigger input thresholds of them are such to guarantee LSTTL and CMOS compatibility down to 3.3V controller outputs. Pull-down resistor of about 5kΩ is internally provided to pre-bias inputs during supply start-up and a zener clamp is provided for pin protection purposes. Input Schmitt-trigger and noise filter provide beneficial noise rejection to short input pulses.

The noise filter suppresses control pulses which are below the filter time  $t_{FILIN}$ . The filter acts according to Figure 4.

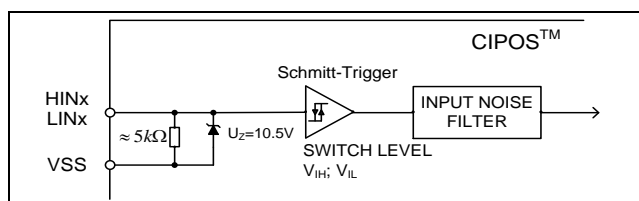


Figure 3 Input pin structure

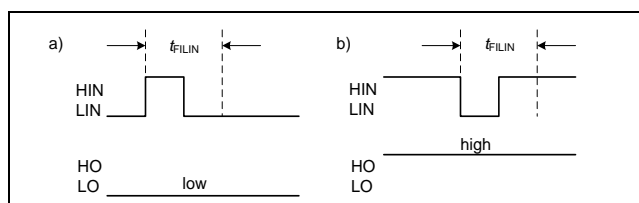


Figure 4 Input filter timing diagram

It is not recommended for proper work to provide input pulse-width lower than 1μs.

The integrated gate drive provides additionally a shoot through prevention capability which avoids the simultaneous on-state of two gate drivers of the same leg (i.e. HO1 and LO1, HO2 and LO2). When two inputs of a same leg are activated, only

former activated one is activated so that the leg is kept steadily in a safe state.

A minimum deadtime insertion of typically 380ns is also provided by driver IC, in order to reduce cross-conduction of the external power switches.

### VFO (Fault-output and NTC, Pin 14)

The VFO pin indicates a module failure in case of under voltage at pin VDD or in case of triggered over current detection at ITRIP. A pull-up resistor is externally required.

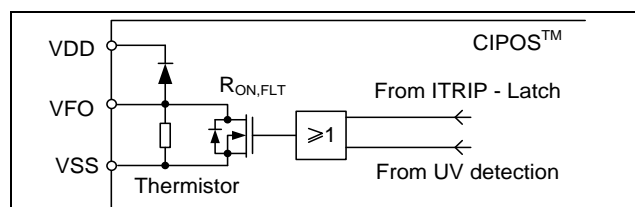


Figure 5 Internal circuit at pin VFO

The same pin provides direct access to the NTC, which is referenced to VSS. An external pull-up resistor connected to +5V ensures that the resulting voltage can be directly connected to the microcontroller.

### ITRIP (Over current detection function, Pin 15)

CIPOS™ provides an over current detection function by connecting the ITRIP input with the MOSFET drain current feedback. The ITRIP comparator threshold (typ. 0.47V) is referenced to VSS ground. An input noise filter (typ.:  $t_{TRIPMIN} = 530ns$ ) prevents the driver to detect false over-current events.

Over current detection generates a shutdown of all outputs of the gate driver after the shutdown propagation delay of typically 1000ns.

The fault-clear time is set to minimum 40μs.

## Pin Description

### **VDD, VSS (Low side control supply and reference, Pin 13, 16)**

VDD is the control supply and it provides power both to input logic and to output power stage. Input logic is referenced to VSS ground.

The under-voltage circuit enables the device to operate at power on when a supply voltage of at least a typical voltage of  $V_{DDUV+} = 12.1V$  is present.

The IC shuts down all the gate drivers power outputs, when the VDD supply voltage is below  $V_{DDUV-} = 10.4V$ . This prevents the external power switches from critically low gate voltage levels during on-state and therefore from excessive power dissipation.

### **VB(U, V) and VS(U, V) (High side supplies, Pin 1, 2, 3 and 4)**

VB to VS is the high side supply voltage. The high side circuit can float with respect to VSS following the external high side power device source voltage.

Due to the low power consumption, the floating driver stage is supplied by integrated bootstrap circuit.

The under-voltage detection operates with a rising supply threshold of typical  $V_{BSUV+} = 12.1V$  and a falling threshold of  $V_{BSUV-} = 10.4V$ .

VS(U, V) provide a high robustness against negative voltage in respect of VSS of -50V transiently. This ensures very stable designs even under rough conditions.

### **NV, NU (Low side source, Pin 18 and 19)**

The low side sources are available for current measurements of each phase leg. It is recommended to keep the connection to pin VSS as short as possible in order to avoid unnecessary inductive voltage drops.

### **V, U (High side source and low side drain, Pin 21 and 22)**

These pins are connected to U, V input of a motor.

### **P (Positive bus input voltage, Pin 23)**

The high side MOSFETs are connected to the bus voltage. It is noted that the bus voltage does not exceed 450V.

Absolute Maximum Ratings

### 3 Absolute Maximum Ratings

( $V_{DD} = 15V$  and  $T_J = 25^\circ C$ , if not stated otherwise)

#### 3.1 Module Section

Description	Symbol	Condition	Value	Unit
Storage temperature range	$T_{STG}$		-40 ~ 125	$^\circ C$
Operating case temperature	$T_C$	Refer to Figure 7	-40 ~ 125	$^\circ C$
Operating junction temperature	$T_J$		-40 ~ 150	$^\circ C$
Isolation test voltage	$V_{ISO}$	1min, RMS, $f = 60Hz$	2000	V

#### 3.2 Inverter Section

Description	Symbol	Condition	Value	Unit
Max. blocking voltage	$V_{DSS}$	$I_D = 250\mu A$	650	V
DC link supply voltage of P-N	$V_{PN}$	Applied between P-N	450	V
DC link supply voltage (surge) of P-N	$V_{PN(surge)}$	Applied between P-N	500	V
Output current	$I_O$	$T_C = 25^\circ C, T_J < 150^\circ C$	$\pm 10$	A
Peak output current	$I_{O(peak)}$	less than 1ms	$\pm 12$	A
Power dissipation per MOSFET	$P_{tot}$		29.7	W
Short circuit withstand time <sup>1</sup>	$t_{SC}$	$V_{DC} \leq 400V, T_J = 150^\circ C$	5	$\mu s$

#### 3.3 Control Section

Description	Symbol	Condition	Value	Unit
High side offset voltage	$V_S$		600	V
Repetitive peak reverse voltage of bootstrap diode	$V_{RRM}$		600	V
Module supply voltage	$V_{DD}$		20	V
High side floating supply voltage ( $V_B$ reference to $V_S$ )	$V_{BS}$		20	V
Input voltage	$V_{IN}$	LIN, HIN, ITRIP	10	V

<sup>1</sup> Allowed number of short circuits: <1000; time between short circuits: >1s.

Thermal Characteristics

## 4 Thermal Characteristics

Description	Symbol	Condition	Value			Unit
			Min.	Typ.	Max.	
Single MOSFET thermal resistance, junction-case	$R_{thJC}$				4.21	K/W



Recommended Operation Conditions

## 5 Recommended Operation Conditions

All voltages are absolute voltages referenced to  $V_{SS}$  -potential unless otherwise specified.

Description	Symbol	Value			Unit
		Min.	Typ.	Max.	
DC link supply voltage of P-N	$V_{PN}$	0	-	450	V
Low side supply voltage	$V_{DD}$	14.0	15	18.5	V
High side floating supply voltage ( $V_B$ vs. $V_S$ )	$V_{BS}$	13.5	-	18.5	V
Logic input voltages LIN, HIN, ITRIP	$V_{IN}$	0	-	5	V
PWM carrier frequency	$F_{PWM}$	-	-	20	kHz
External deadtime between HIN and LIN	DT	1.5	-	-	$\mu s$
Voltage between $V_{SS}$ - N (including surge)	$V_{COMP}$	-5	-	5	V
Minimum input pulse width	$PW_{IN(ON)}$ $PW_{IN(OFF)}$	1.2	-	-	$\mu s$
Control supply variation	$\Delta V_{BS}$ , $\Delta V_{DD}$	-1 -1	- -	1 1	V/ $\mu s$

Static Parameters

## 6 Static Parameters

( $V_{DD} = 15V$  and  $T_J = 25^\circ C$ , if not stated otherwise)

### 6.1 Inverter Section

Description	Symbol	Condition	Value			Unit
			Min.	Typ.	Max.	
Drain-Source on-state resistance	$R_{DS(on)}$	$I_D = 4.4A$ $T_J = 25^\circ C$ $150^\circ C$	- -	0.28 0.73	0.33 -	$\Omega$
Drain-Source leakage current	$I_{DSS}$	$V_{DS} = 600V$	-	-	1	mA
Diode forward voltage	$V_F$	$I_F = 4.4A$ $T_J = 25^\circ C$	-	0.9	-	V

### 6.2 Control Section

Description	Symbol	Condition	Value			Unit
			Min.	Typ.	Max.	
Logic "1" input voltage (LIN, HIN)	$V_{IH}$		-	2.1	2.5	V
Logic "0" input voltage (LIN, HIN)	$V_{IL}$		0.7	0.9	-	V
ITRIP positive going threshold	$V_{IT,TH+}$		400	470	540	mV
ITRIP input hysteresis	$V_{IT,HYS}$		-	70	-	mV
VDD and VBS supply under voltage positive going threshold	$V_{DDUV+}$ $V_{BSUV+}$		10.8	12.1	13.0	V
VDD and VBS supply under voltage negative going threshold	$V_{DDUV-}$ $V_{BSUV-}$		9.5	10.4	11.2	V
VDD and VBS supply under voltage lockout hysteresis	$V_{DDUVH}$ $V_{BSUVH}$		1.0	1.7	-	V
Quiescent $V_{Bx}$ supply current ( $V_{Bx}$ only)	$I_{QBS}$	$H_{IN} = 0V$	-	-	500	$\mu A$
Quiescent VDD supply current ( $V_{DD}$ only)	$I_{QDD}$	$L_{IN} = 0V, H_{INX} = 5V$	-	-	900	$\mu A$
Input bias current for LIN, HIN	$I_{IN+}$	$V_{IN} = 5V$	-	1	1.5	mA
Input bias current for ITRIP	$I_{ITRIP+}$	$V_{ITRIP} = 5V$	-	65	150	$\mu A$
Input bias current for VFO	$I_{FO}$	$V_{FO} = 5V, V_{ITRIP} = 0V$	-	60	-	$\mu A$
VFO output voltage	$V_{FO}$	$I_{FO} = 10mA, V_{ITRIP} = 1V$	-	0.5	-	V
Bootstrap diode forward voltage	$V_{F,BSD}$	$I_F = 20mA, VS2$ and $VS3 = 0V$	-	2.6	-	V
Bootstrap resistance	$R_{BSD}$	Between $V_{F1}=4V$ and $V_{F2}=5V$	-	40	-	$\Omega$

Dynamic Parameters

## 7 Dynamic Parameters

( $V_{DD} = 15V$  and  $T_J = 25^\circ C$ , if not stated otherwise)

### 7.1 Inverter Section

Description	Symbol	Condition	Value			Unit
			Min.	Typ.	Max.	
Turn-on propagation delay time	$t_{on}$		-	875	-	ns
Turn-on rise time	$t_r$	$V_{LIN, HIN} = 5V,$ $I_D = 6A,$ $V_{DC} = 300V$	-	85	-	ns
Turn-on switching time	$t_{c(on)}$		-	200	-	ns
Reverse recovery time	$t_{rr}$		-	115	-	ns
Turn-off propagation delay time	$t_{off}$	$V_{LIN, HIN} = 0V,$ $I_D = 6A,$ $V_{DC} = 300V$	-	810	-	ns
Turn-off fall time	$t_f$		-	10	-	ns
Turn-off switching time	$t_{c(off)}$		-	20	-	ns
Short circuit propagation delay time	$t_{SCP}$	From $V_{IT, TH+}$ to 10% $I_{SC}$	-	1300	-	ns
MOSFET turn-on energy (includes reverse recovery of diode)	$E_{on}$	$V_{DC} = 300V, I_D = 6A$ $T_J = 25^\circ C$ $150^\circ C$	-	360	-	$\mu J$
MOSFET turn-off energy	$E_{off}$	$V_{DC} = 300V, I_D = 6A$ $T_J = 25^\circ C$ $150^\circ C$	-	15	-	$\mu J$
Diode recovery energy	$E_{rec}$	$V_{DC} = 300V, I_D = 6A$ $T_J = 25^\circ C$ $150^\circ C$	-	55	-	$\mu J$
			-	125	-	

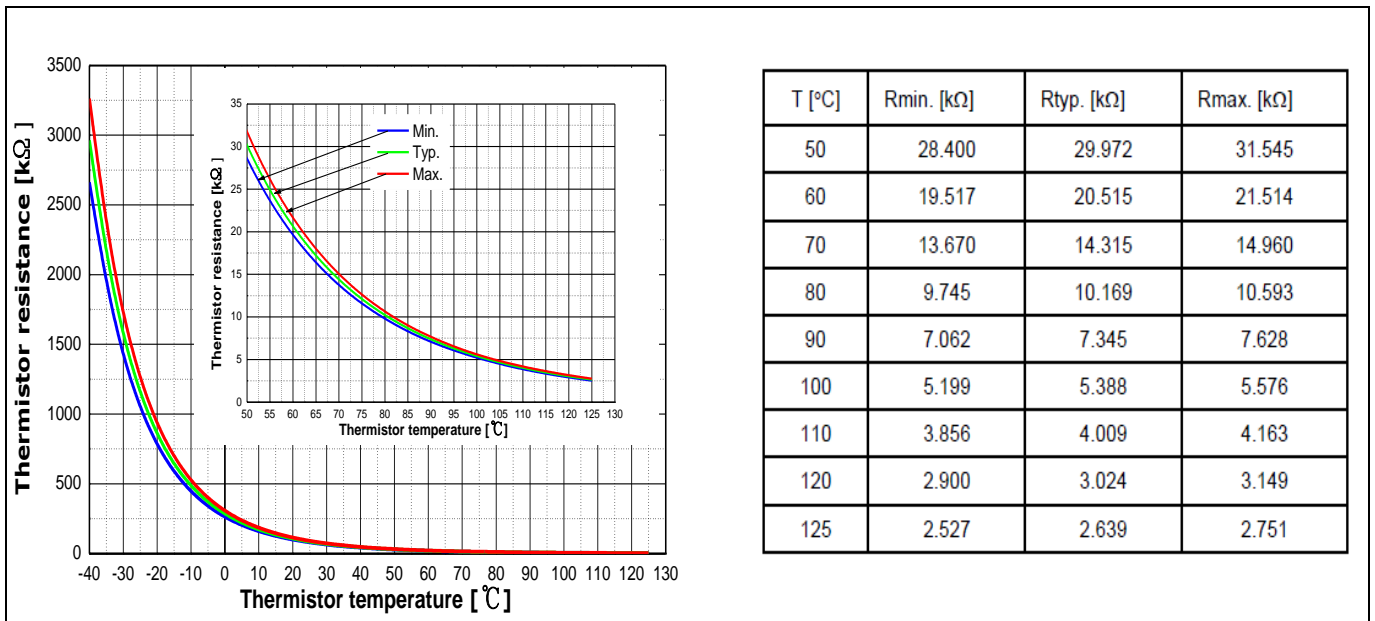
### Control Section

Description	Symbol	Condition	Value			Unit
			Min.	Typ.	Max.	
Bootstrap diode reverse recovery time	$t_{rr, BS}$	$I_F = 0.6A, di/dt = 80A/\mu s$	-	50	-	ns
Input filter time ITRIP	$t_{ITRIPmin}$	$V_{ITRIP} = 1V$	-	530	-	ns
Input filter time at LIN, HIN for turn on and off	$t_{FILIN}$	$V_{LIN, HIN} = 0V \& 5V$	-	290	-	ns
Fault clear time after ITRIP-fault	$t_{FLTCLR}$	$V_{ITRIP} = 1V$	40	65	200	$\mu s$
ITRIP to Fault propagation delay	$t_{FLT}$	$V_{LIN, HIN} = 0$ or $V_{LIN, HIN} = 5V, V_{ITRIP} = 1V$	-	730	1000	ns
Internal deadtime	$DT_{IC}$		-	380	-	ns
Matching propagation delay time (On and Off) all channels	$M_T$	External dead time $>500ns$	-	20	100	ns

Thermistor

## 8 Thermistor

Description	Condition	Symbol	Value			Unit
			Min.	Typ.	Max.	
Resistance	$T_{NTC} = 25^{\circ}\text{C}$	$R_{NTC}$	-	85	-	$\text{k}\Omega$
B-constant of NTC (Negative Temperature Coefficient)		B(25/100)	-	4092	-	K



**Figure 6** Thermistor resistance – temperature curve and table  
(For more information, please refer to the application note 'AN2016-10 CIPOS Mini Technical description')

## 9 Mechanical Characteristics and Ratings

Description	Condition	Value			Unit
		Min.	Typ.	Max.	
Comparative Tracking Index (CTI)		550	-	-	V
Mounting torque	M3 screw and washer	0.59	0.69	0.78	Nm
Backside Curvature	Refer to Figure 8	-50	-	100	µm
Weight		-	6.12	-	g

Qualification Information

## 10 Qualification Information

<b>UL Certification</b>	File number E314539	
<b>Moisture sensitivity level (SOP23 only)</b>	-	
<b>RoHS Compliant</b>	Yes (Lead-free terminal plating)	
<b>ESD</b>	HBM(Human Body Model)	Class 2
	CDM(Charged Device Model)	Class C3

## 11 Diagrams and Tables

### 11.1 T<sub>c</sub> Measurement Point

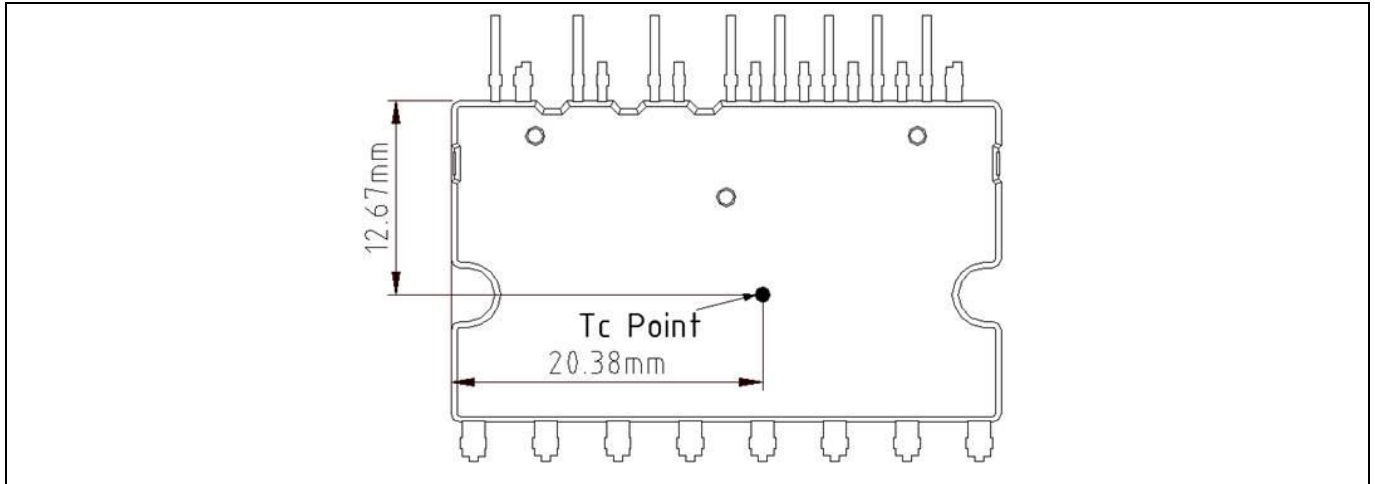


Figure 7 T<sub>c</sub> measurement point<sup>1</sup>

### 11.2 Backside Curvature Measurement Point

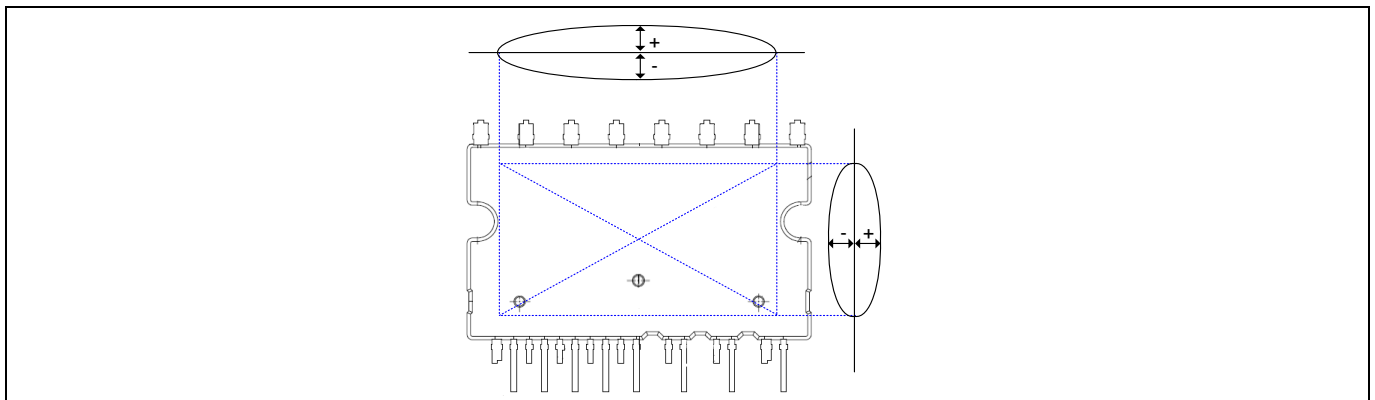
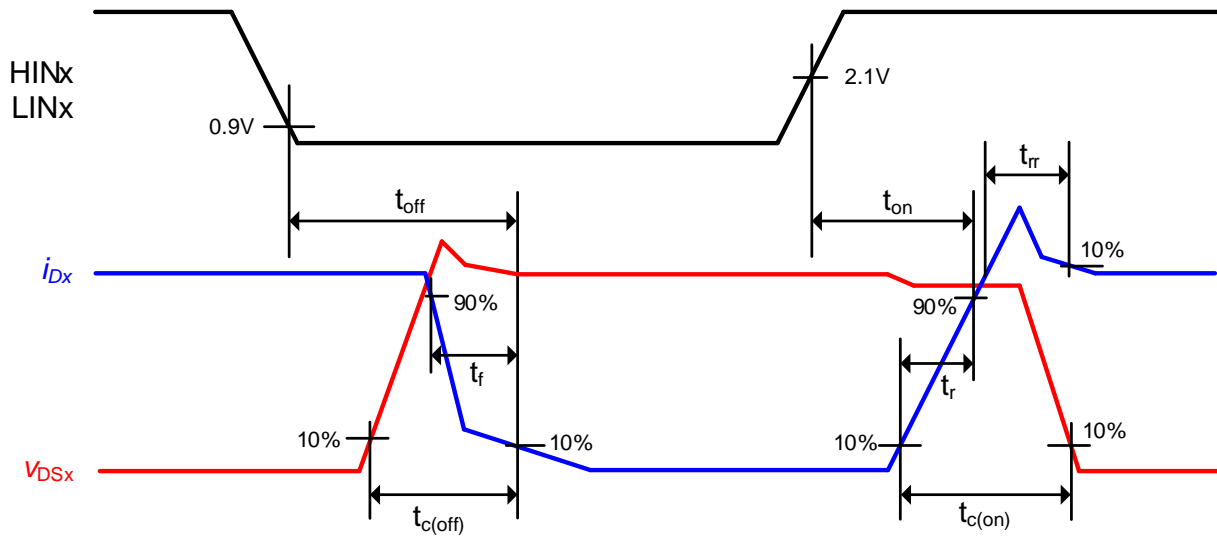


Figure 8 Backside curvature measurement position

<sup>1</sup>Any measurement except for the specified point in Figure 7 is not relevant for the temperature verification and brings wrong or different information.

Diagrams and Tables

### 11.3 Switching Time Definition





## 12 Application Guide

### 12.1 Typical Application Schematic

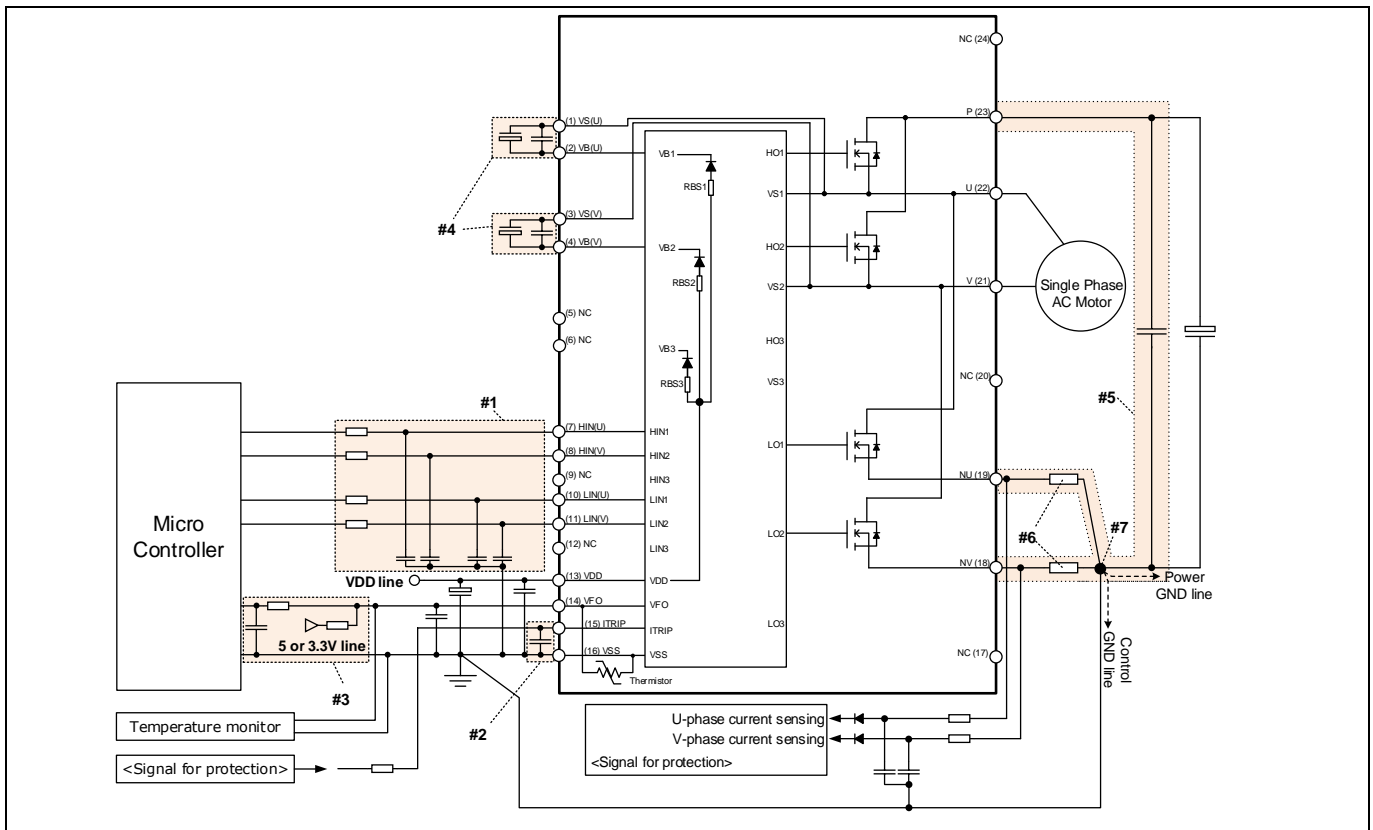


Figure 9 Typical application circuit

- #1 Input circuit
  - RC filter can be used to reduce input signal noise. (100Ω, 1nF)
  - The capacitors should be located close to IPM (to V<sub>SS</sub> terminal especially).
- #2 Itrip circuit
  - To prevent a mis operation of protection function, RC filter is recommended.
  - The capacitor should be located close to Itrip and V<sub>SS</sub> terminals.
- #3 VFO circuit
  - VFO pin is open drain configuration. This terminal should be pulled up to the bias voltage of the 5V/3.3V through a proper resistor.
  - It is recommended that RC filter is placed close to the controller.
- #4 VB-VS circuit
  - Capacitors for high side floating supply voltage should be placed close to VB and VS terminals.
- #5 Snubber capacitor
  - The wiring among CIPOS™ Mini, snubber capacitor and shunt resistors should be short as possible.
- #6 Shunt resistor
  - SMD type shunt resistors are strongly recommended to minimize its internal stray inductance.
- #7 Ground pattern
  - Pattern overlap of Power ground and signal ground Ground should be minimized. The patterns should be connected at one end of shunt resistor only for the same potential.

## 12.2 Performance Chart

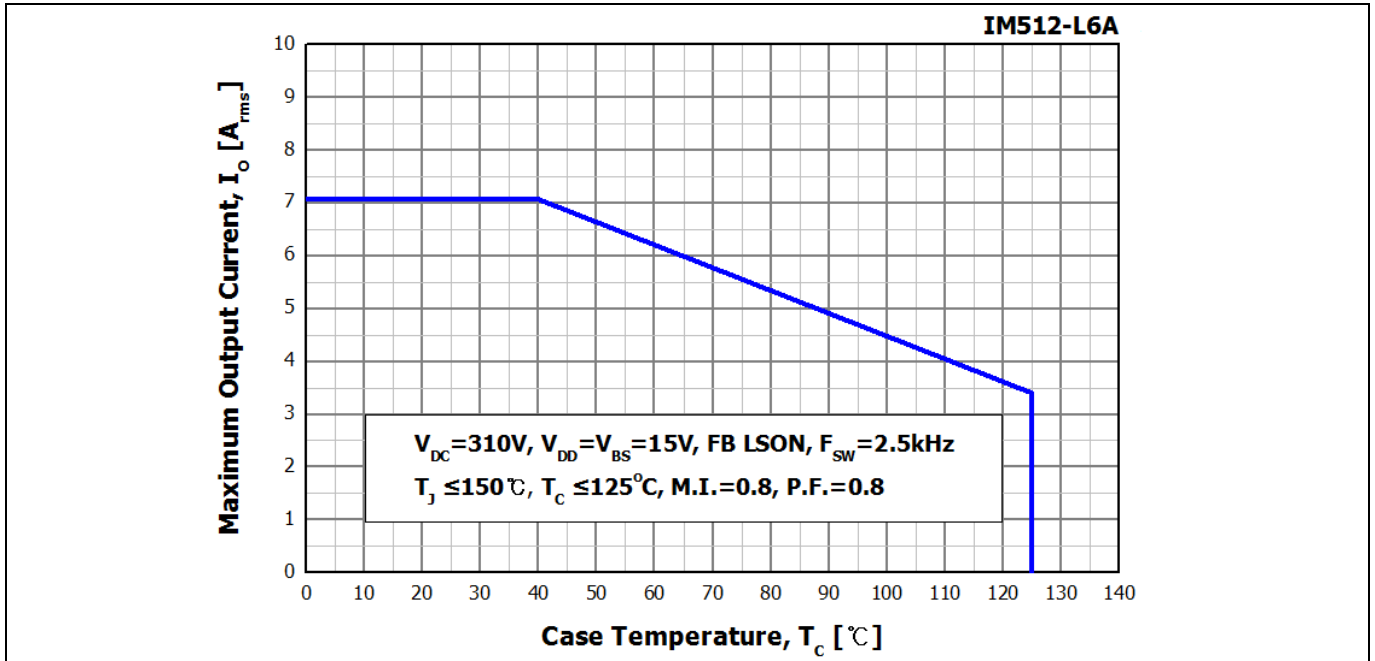
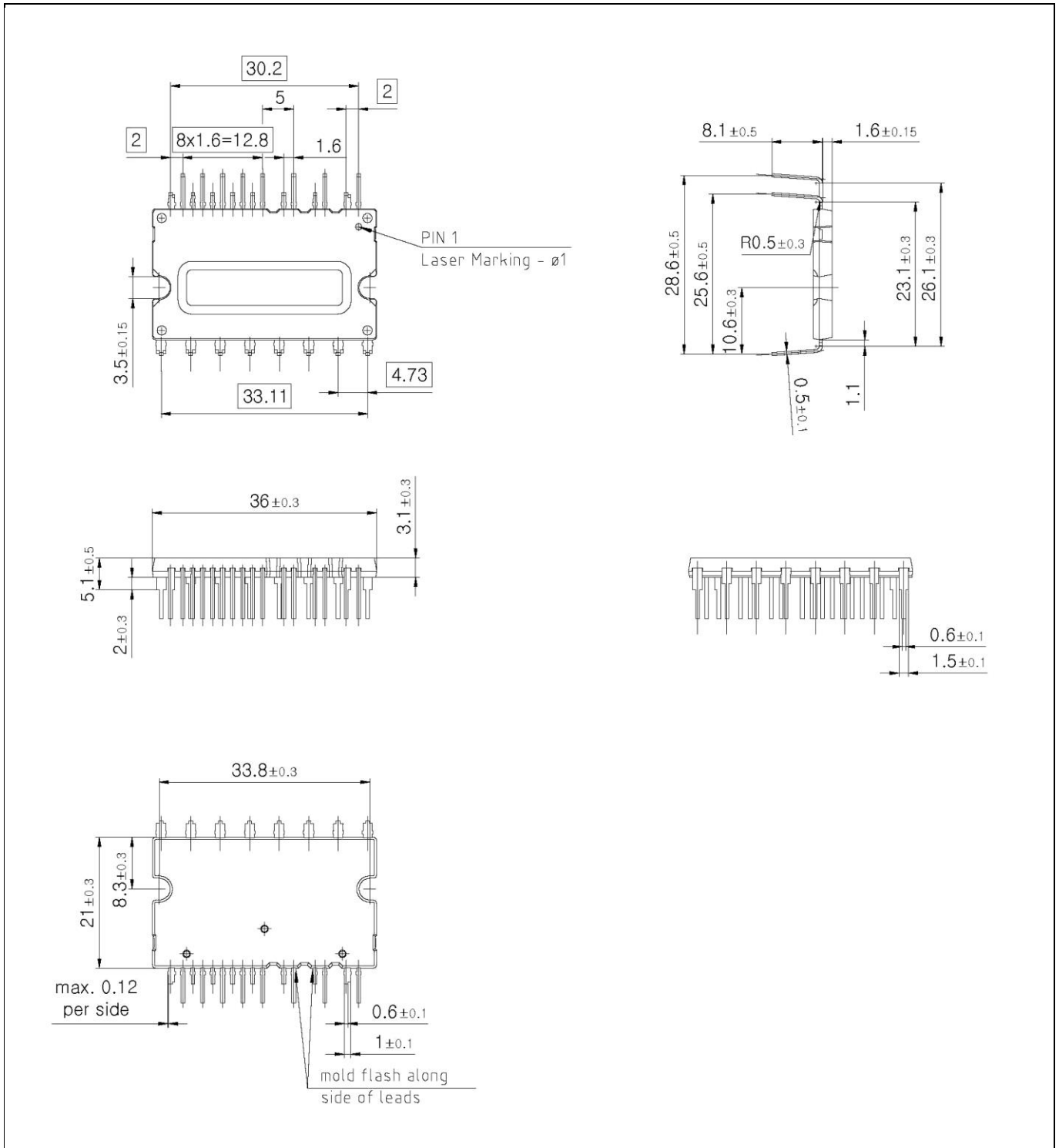


Figure 10 Maximum operating current SOA<sup>1</sup>

<sup>1</sup>This maximum operating current SOA is just one of example based on typical characteristics for this product. It can be changed by each user's actual operating conditions.

### 13 Package Outline



## Trademarks

All referenced product or service names and trademarks are the property of their respective owners.

**Edition 2017-12-07**

**Published by**

**Infineon Technologies AG**

**81726 München, Germany**

**© 2018 Infineon Technologies AG.**

**All Rights Reserved.**

**Do you have a question about this document?**

**Email: [erratum@infineon.com](mailto:erratum@infineon.com)**

**Document reference**

**ifx1**

## IMPORTANT NOTICE

The information given in this document shall in no event be regarded as a guarantee of conditions or characteristics ("Beschaffheitsgarantie").

With respect to any examples, hints or any typical values stated herein and/or any information regarding the application of the product, Infineon Technologies hereby disclaims any and all warranties and liabilities of any kind, including without limitation warranties of non-infringement of intellectual property rights of any third party.

In addition, any information given in this document is subject to customer's compliance with its obligations stated in this document and any applicable legal requirements, norms and standards concerning customer's products and any use of the product of Infineon Technologies in customer's applications.

The data contained in this document is exclusively intended for technically trained staff. It is the responsibility of customer's technical departments to evaluate the suitability of the product for the intended application and the completeness of the product information given in this document with respect to such application.

For further information on the product, technology, delivery terms and conditions and prices please contact your nearest Infineon Technologies office ([www.infineon.com](http://www.infineon.com)).

Please note that this product is not qualified according to the AEC Q100 or AEC Q101 documents of the Automotive Electronics Council.

## WARNINGS

Due to technical requirements products may contain dangerous substances. For information on the types in question please contact your nearest Infineon Technologies office.

Except as otherwise explicitly approved by Infineon Technologies in a written document signed by authorized representatives of Infineon Technologies, Infineon Technologies' products may not be used in any applications where a failure of the product or any consequences of the use thereof can reasonably be expected to result in personal injury.

单击下面可查看定价，库存，交付和生命周期等信息

[>>Infineon Technologies\(英飞凌\)](#)