

# HITFET™ - BTS3011TE

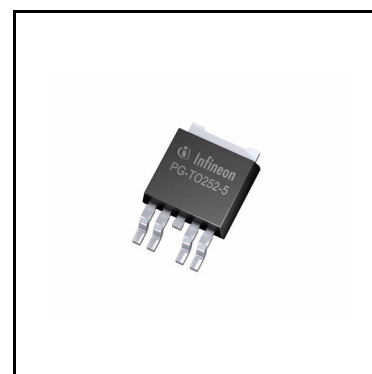
## Smart Low-Side Power Switch



### 1 Overview

#### Features

- Single channel device
- Digital Feedback
- Current limitation trigger concept
- 3.3 and 5 V compatible logic inputs
- Electrostatic discharge protection (ESD)
- Green Product (RoHS compliant)
- AEC Qualified



#### Applications

- Suitable for resistive, inductive and capacitive loads
- Replaces electromechanical relays, fuses and discrete circuits
- Most suitable for inductive loads as well as loads with inrush currents

#### Description

The BTS3011TE is a 11 mΩ single channel Smart Low-Side Power Switch with in a PG-TO252-5 package providing embedded protective functions. The power transistor is built by an N-channel vertical power MOSFET.

The device is monolithically integrated. The BTS3011TE is automotive qualified and is optimized for 12 V automotive and industrial applications.

Type	Package	Marking
BTS3011TE	PG-TO252-5	S3011TE

**Table 1 Product Summary**

Operating voltage range	$V_{OUT}$	3 .. 28 V
Maximum battery voltage	$V_{BAT(LD)}$	40 V
Operating supply voltage range	$V_{DD}$	3.0 .. 5.5 V
Maximum input voltage	$V_{IN}$	5.5 V
Maximum On-State resistance at $T_j = 150\text{ °C}$ , $V_{DD} = 5\text{ V}$ , $V_{IN} = 5\text{ V}$	$R_{DS(ON)_150}$	22 mΩ
Nominal load current	$I_{L(NOM)}$	10 A
Minimum current limitation trigger level	$I_{L(LIM)_TRIGGER}$	70 A

## Overview

**Table 1** Product Summary (cont'd)

Minimum current limitation level	$I_{L(LIM)}$	35 A
Maximum OFF state load current at $T_J \leq 85^\circ\text{C}$	$I_{L(OFF)\_85}$	3 $\mu\text{A}$
Maximum stand-by supply current at $T_J \leq 85^\circ\text{C}$	$I_{DD(OFF)\_85}$	6 $\mu\text{A}$

### Diagnostic Functions

- Short circuit to battery
- Over temperature
- Stable latching diagnostic signal

### Protection Functions

- Over temperature shutdown with delayed auto restart
- Active clamp over voltage protection of the OUTput
- Current limitation with current limitation trigger
- Enhanced short circuit protection

### Detailed Description

The device is able to switch all kind of resistive, inductive and capacitive loads, limited by maximum clamping energy and maximum current capabilities.

The BTS3011TE offers dedicated ESD protection on the IN, VDD and STATUS pin referring to the Ground pin, as well as an over voltage clamping of the Drain/OUT to Source/GND.

The over voltage protection gets activated during inductive turn off conditions or other over voltage events (such as load dump). The power MOSFET is limiting the drain-source voltage, if it rises above the  $V_{OUT(CLAMP)}$ .

The over temperature protection prevents the device from overheating due to overload and/or bad cooling conditions.

The BTS3011TE has a delayed auto restart thermal shut-down function. The device will turn on again, if the input pin is still high after a delayed time  $t_{D(RESTART)}$  considering the junction temperature has dropped below the thermal hysteresis.

## Table of Contents

<b>1</b>	<b>Overview</b> .....	<b>1</b>
	<b>Table of Contents</b> .....	<b>3</b>
<b>2</b>	<b>Block Diagram</b> .....	<b>5</b>
<b>3</b>	<b>Pin Configuration</b> .....	<b>6</b>
3.1	Pin Assignment BTS3011TE .....	6
3.2	Pin Definitions and Functions .....	6
3.3	Voltage and Current Definition .....	6
<b>4</b>	<b>General Product Characteristics</b> .....	<b>8</b>
4.1	Absolute Maximum Ratings .....	8
4.2	Functional Range .....	9
4.3	Thermal Resistance .....	10
4.3.1	PCB set up (from THB report) .....	11
4.3.2	Transient Thermal Impedance .....	12
<b>5</b>	<b>Power Stage</b> .....	<b>13</b>
5.1	Output On-state Resistance .....	13
5.2	Resistive Load Output Timing .....	14
5.3	Inductive Load .....	14
5.3.1	Output Clamping .....	14
5.3.2	Maximum Load Inductance .....	15
5.4	Reverse Current Capability .....	16
5.5	Characteristics .....	16
<b>6</b>	<b>Protection Functions</b> .....	<b>17</b>
6.1	Over Voltage Clamping on OUTput .....	17
6.2	Thermal Protection .....	17
6.3	Overcurrent Limitation / Short Circuit Behavior .....	18
6.4	Characteristics .....	19
<b>7</b>	<b>Diagnostics</b> .....	<b>20</b>
7.1	Functional Description of the STATUS Pin .....	20
7.2	Characteristics .....	20
<b>8</b>	<b>Supply and Input Stage</b> .....	<b>21</b>
8.1	Supply Circuit .....	21
8.1.1	Undervoltage Shutdown .....	21
8.2	Input Circuit .....	22
8.3	Characteristics .....	23
<b>9</b>	<b>Electrical Characteristics</b> .....	<b>24</b>
9.1	Power Stage .....	24
9.2	Protection .....	26
9.3	Diagnostics .....	27
9.4	Supply and Input Stage .....	28
<b>10</b>	<b>Characterisation Results</b> .....	<b>29</b>
10.1	Power Stage .....	29
10.2	Dynamic characteristics .....	32
10.3	Supply and Input Stage .....	36

<b>11</b>	<b>Application Information</b> .....	<b>40</b>
11.1	Design and Layout Recommendations/Considerations .....	40
<b>12</b>	<b>Package Outlines BTS3011TE</b> .....	<b>41</b>
<b>13</b>	<b>Revision History</b> .....	<b>42</b>

Block Diagram

## 2 Block Diagram

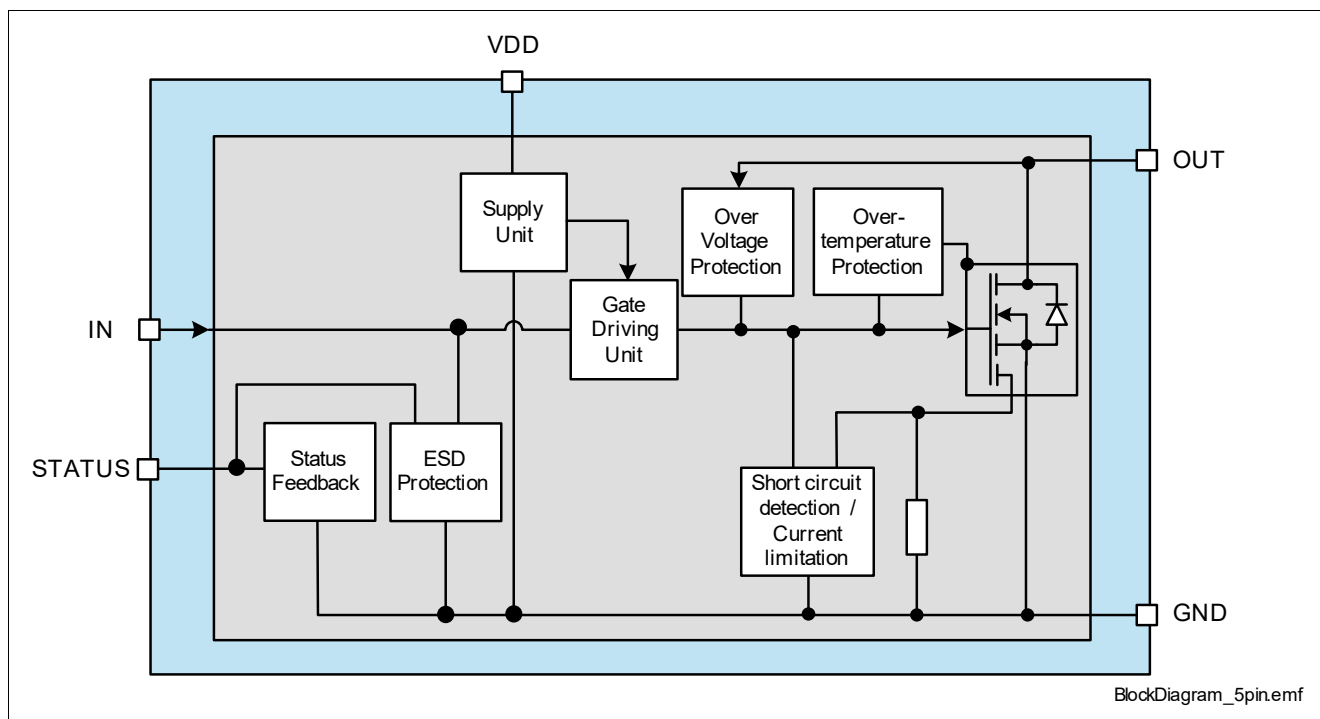
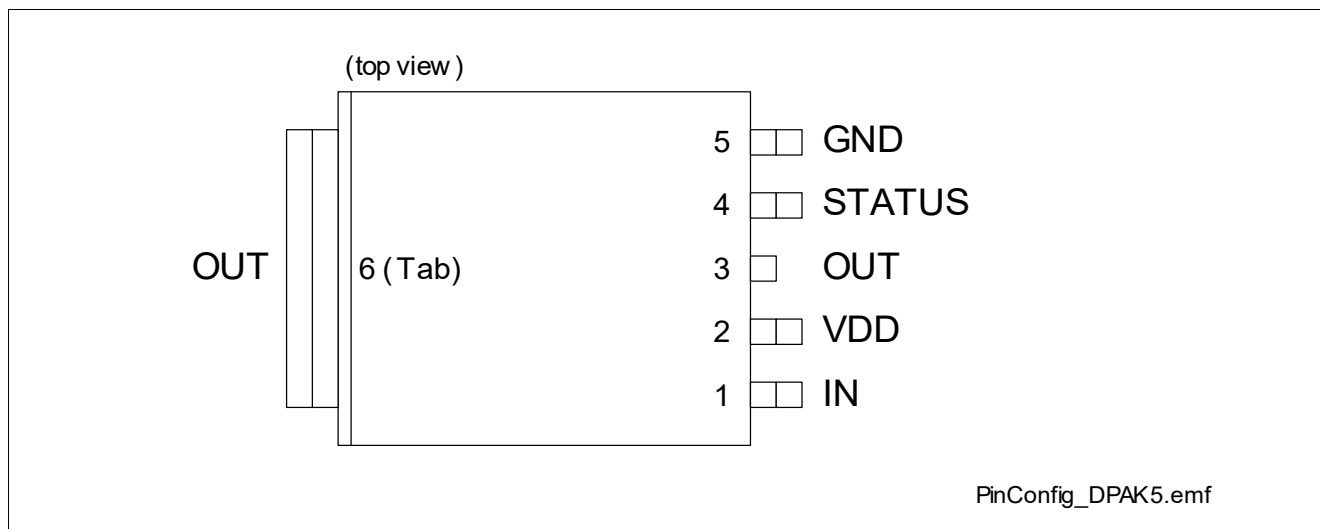


Figure 1 Block Diagram

**Pin Configuration**

**3 Pin Configuration**

**3.1 Pin Assignment BTS3011TE**



**Figure 2 Pin Configuration DPAK5**

**3.2 Pin Definitions and Functions**

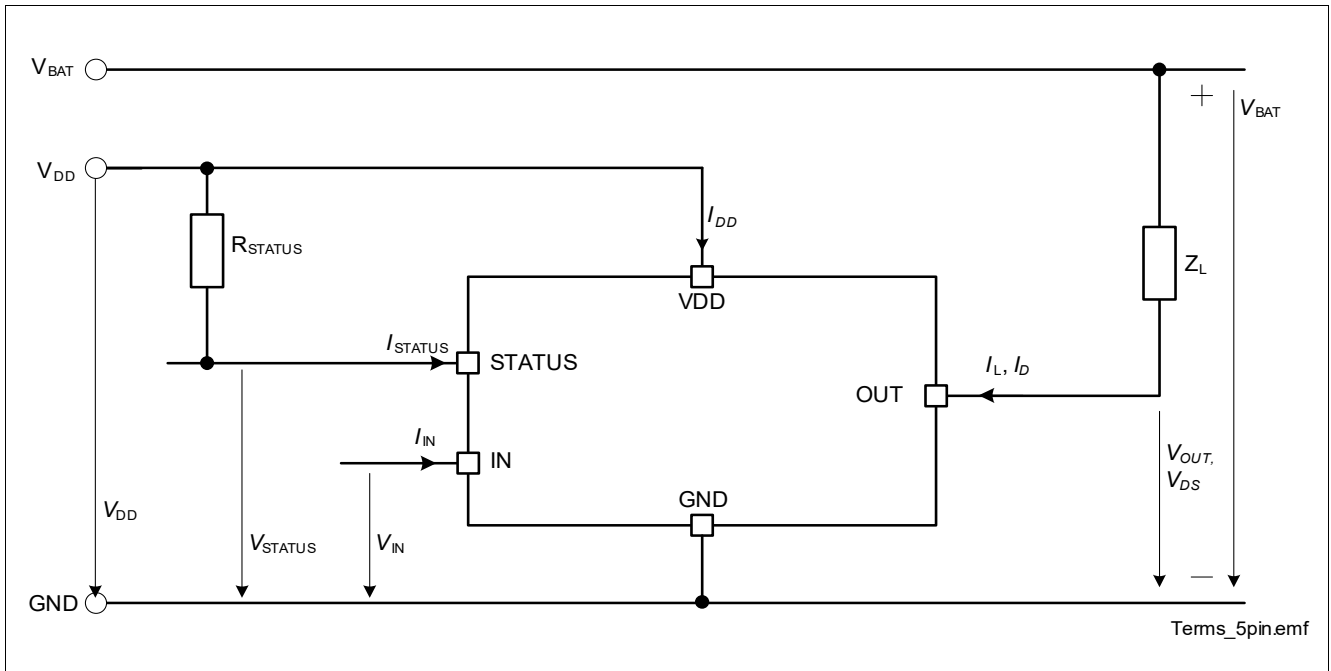
**Table 2**

Pin	Symbol	Function
1	IN	Input pin
2	VDD	5 V supply pin
3,6	OUT	Drain, Load connection for power DMOS
4	STATUS	Open-drain status feedback (low active)
5	GND	Ground, Source of power DMOS

**3.3 Voltage and Current Definition**

**Figure 3** shows all external terms used in this data sheet, with associated convention for positive values.

**Pin Configuration**



**Figure 3 Naming Definition of electrical parameters**

**General Product Characteristics**

**4 General Product Characteristics**

**4.1 Absolute Maximum Ratings**

**Table 3 Absolute Maximum Ratings<sup>1)</sup>**

$T_j = -40^\circ\text{C}$  to  $+150^\circ\text{C}$ ; all voltages with respect to ground, positive current flowing into pin (unless otherwise specified)

Parameter	Symbol	Values			Unit	Note or Test Condition	Number
		Min.	Typ.	Max.			
<b>Voltages</b>							
Supply voltage	$V_{DD}$	-0.3	–	5.5	V	–	P_4.1.1
Output voltage	$V_{OUT}$	–	–	40	V	internally clamped	P_4.1.2
Battery voltage for short circuit protection	$V_{BAT(SC)}$	–	–	32	V	<sup>1)</sup> $l = 0$ or $5$ m $R_{SC} = 30 \text{ m}\Omega + R_{Cable}$ $R_{Cable} = l * 16 \text{ m}\Omega/\text{m}$ $L_{SC} = 5 \text{ }\mu\text{H} + L_{Cable}$ $L_{Cable} = l * 1 \text{ }\mu\text{H}/\text{m}$	P_4.1.3
Battery voltage for load dump protection ( $V_{BAT(LD)} = V_A + V_S$ with $V_A = 13.5 \text{ V}$ )	$V_{BAT(LD)}$	–	–	40	V	<sup>2)</sup> $R_i = 2 \text{ }\Omega$ ; $R_{Load} = 2.2 \text{ }\Omega$ ; $t_d = 400 \text{ ms}$ ; suppressed pulse	P_4.1.4
<b>Input Pin</b>							
Input voltage	$V_{IN}$	-0.3	–	5.5	V	–	P_4.1.8
<b>Status Pin</b>							
Status voltage	$V_{STATUS}$	-0.3	–	5.5	V	–	P_4.1.9
<b>Power Stage</b>							
Load current	$ I_L $	–	–	$I_{L(LIM)\_TRIGGER}$	A	–	P_4.1.12
<b>Energies</b>							
Unclamped single inductive energy single pulse	$E_{AS}$	–	–	390	mJ	$I_{L(0)} = I_{L(NOM)}$ $V_{BAT} = 13.5 \text{ V}$ $T_{j(0)} = 150^\circ\text{C}$	P_4.1.13
Unclamped repetitive inductive energy pulse with 100k cycles	$E_{AR(100k)}$	–	–	290	mJ	$I_{L(0)} = I_{L(NOM)}$ $V_{BAT} = 13.5 \text{ V}$ $T_{j(0)} = 105^\circ\text{C}$	P_4.1.15
<b>Temperatures</b>							
Operating temperature	$T_j$	-40	–	+150	$^\circ\text{C}$	–	P_4.1.17
Storage temperature	$T_{stg}$	-55	–	+150	$^\circ\text{C}$	–	P_4.1.18
<b>ESD Susceptibility</b>							



**General Product Characteristics**

**Table 3 Absolute Maximum Ratings<sup>1)</sup>** (cont'd)

$T_j = -40^\circ\text{C}$  to  $+150^\circ\text{C}$ ; all voltages with respect to ground, positive current flowing into pin (unless otherwise specified)

Parameter	Symbol	Values			Unit	Note or Test Condition	Number
		Min.	Typ.	Max.			
ESD susceptibility (all pins)	$V_{\text{ESD}}$	-2	-	2	kV	HBM <sup>3)</sup>	P_4.1.19
ESD susceptibility OUT pin vs. GND	$V_{\text{ESD}}$	-4	-	4	kV	HBM <sup>3)</sup>	P_4.1.20
ESD susceptibility	$V_{\text{ESD}}$	-750	-	750	V	CDM <sup>4)</sup>	P_4.1.21

- 1) Not subject to production test, specified by design.
- 2)  $V_{\text{BAT(LD)}}$  is setup without the DUT connected to the generator per ISO7637-1;  
 $R_i$  is the internal resistance of the load dump test pulse generator;  
 $t_d$  is the pulse duration time for load dump pulse (pulse 5) according ISO 7637-1, -2.
- 3) ESD susceptibility, HBM according to ANSI/ESDA/JEDEC JS-001 (1.5 k $\Omega$ , 100 pF)
- 4) ESD susceptibility, Charged Device Model "CDM" ESDA STM5.3.1 or ANSI/ESD S.5.3.1

**Notes**

1. Stresses above the ones listed here may cause permanent damage to the device. Exposure to absolute maximum rating conditions for extended periods may affect device reliability.
2. Integrated protection functions are designed to prevent IC destruction under fault conditions described in the data sheet. Fault conditions are considered as "outside" normal operating range. Protection functions are not designed for continuous repetitive operation

**4.2 Functional Range**

**Table 4 Functional Range<sup>1)</sup>**

Parameter	Symbol	Values			Unit	Note or Test Condition	Number
		Min.	Typ.	Max.			
Supply Voltage Range for Nominal Operation	$V_{\text{DD(NOM)}}$	3.0	5.0	5.5	V		P_4.2.1
Supply current continuous ON operation	$I_{\text{DD(ON)}}$	-	-	1	mA	-	P_4.2.2
Standby supply current (ambient)	$I_{\text{DD(OFF)}}$	-	1.5	6	$\mu\text{A}$	$T_j \leq 85^\circ\text{C}$	P_4.2.4
Battery Voltage Range for Nominal Operation	$V_{\text{BAT(NOR)}}$	6	13.5	18	V	-	P_4.2.5
Extended Battery Voltage Range for Operation	$V_{\text{BAT(EXT)}}$	0	-	32	V	parameter deviations possible	P_4.2.6

- 1) Not subject to production test, specified by design.

**Note:** *Within the functional range the IC operates as described in the circuit description. The electrical characteristics are specified within the conditions given in the related electrical characteristics table.*

**General Product Characteristics**

**4.3 Thermal Resistance**

Note: This thermal data was generated in accordance with JEDEC JESD51 standards.  
 For more information, go to [www.jedec.org](http://www.jedec.org).

**Table 5 Thermal Resistance**

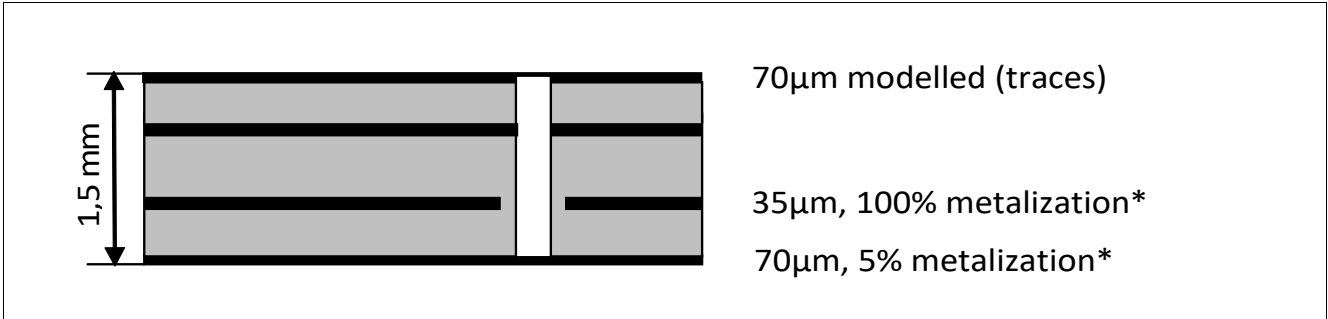
Parameter	Symbol	Values			Unit	Note or Test Condition	Number
		Min.	Typ.	Max.			
Junction to Solder Point	$R_{thJSP}$	–	2	–	K/W	1) 2)	P_4.3.1
Junction to Ambient (2s2p)	$R_{thJA(2s2p)}$	–	25	–	K/W	1) 3)	P_4.3.2
Junction to Ambient (1s0p+600mm <sup>2</sup> Cu)	$R_{thJA(1s0p)}$	–	38	–	K/W	1) 4)	P_4.3.3

- 1) Not subject to production test, specified by design.
- 2) Specified RthJSP value is simulated at natural convection on a cold plate setup (all pins are fixed to ambient temperature). Tc = 85°C. Device is loaded with 1 W power.
- 3) Specified RthJA value is according to Jedec JESD51-2,-5,-7 at natural convection on FR4 2s2p board; The product (Chip and Package) was simulated on a 76.2 x 114.3 x 1.5 mm board with 2 inner copper layers (2 x 70 μm Cu, 2 x 35 μm Cu). Where applicable a thermal via array under the exposed pad contacted the first inner copper layer. Ta = 85°C. Device is loaded with 1 W power.
- 4) Specified RthJA value is according to Jedec JESD51-2,-5,-7 at natural convection on FR4 2s2p board; The product (Chip and Package) was simulated on a 76.2 x 114.3 x 1.5 mm board with additional heatspreading copper area of 600mm<sup>2</sup> and 70 μm thickness. Ta = 85°C. Device is loaded with 1 W power

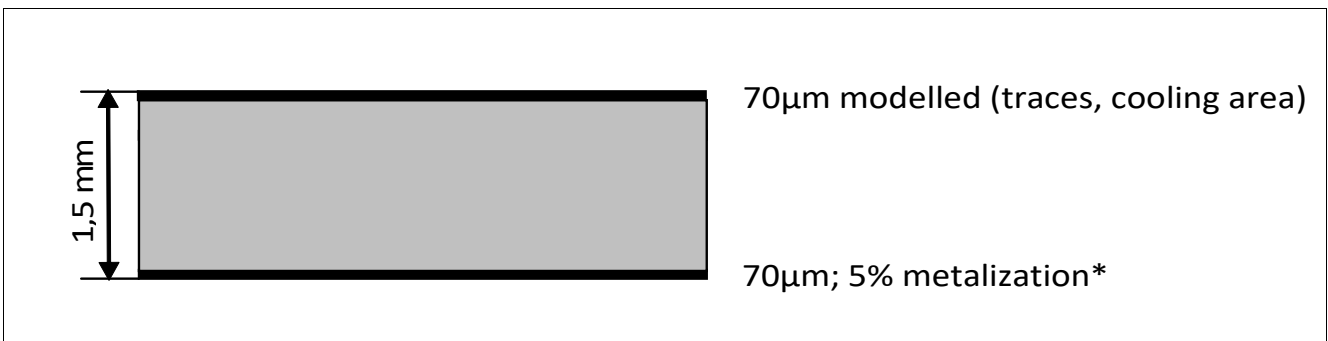
**General Product Characteristics**

**4.3.1 PCB set up (from THB report)**

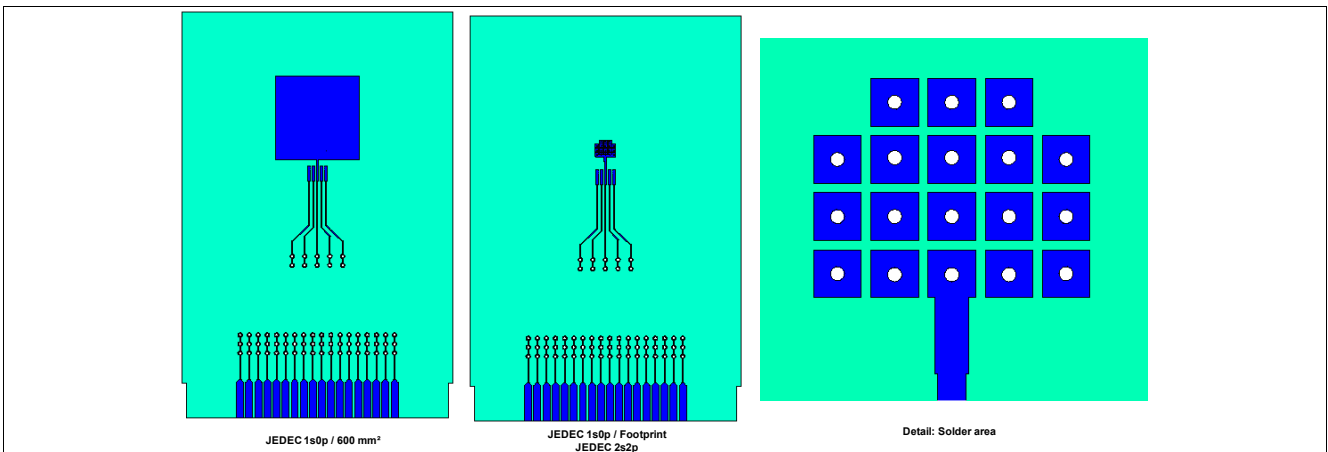
The following PCB set up was implemented to determine the transient thermal impedance.



**Figure 4** Cross section JEDEC 2s2p.

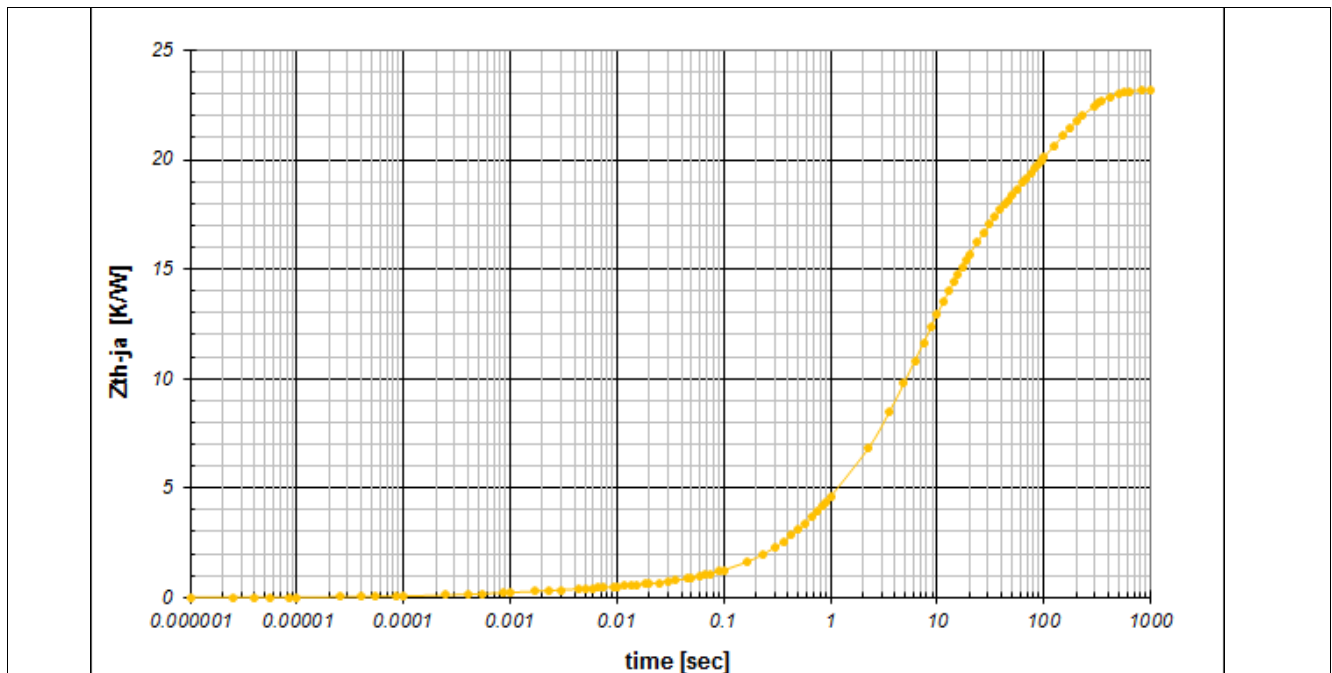


**Figure 5** Cross section JEDEC 1s0p.

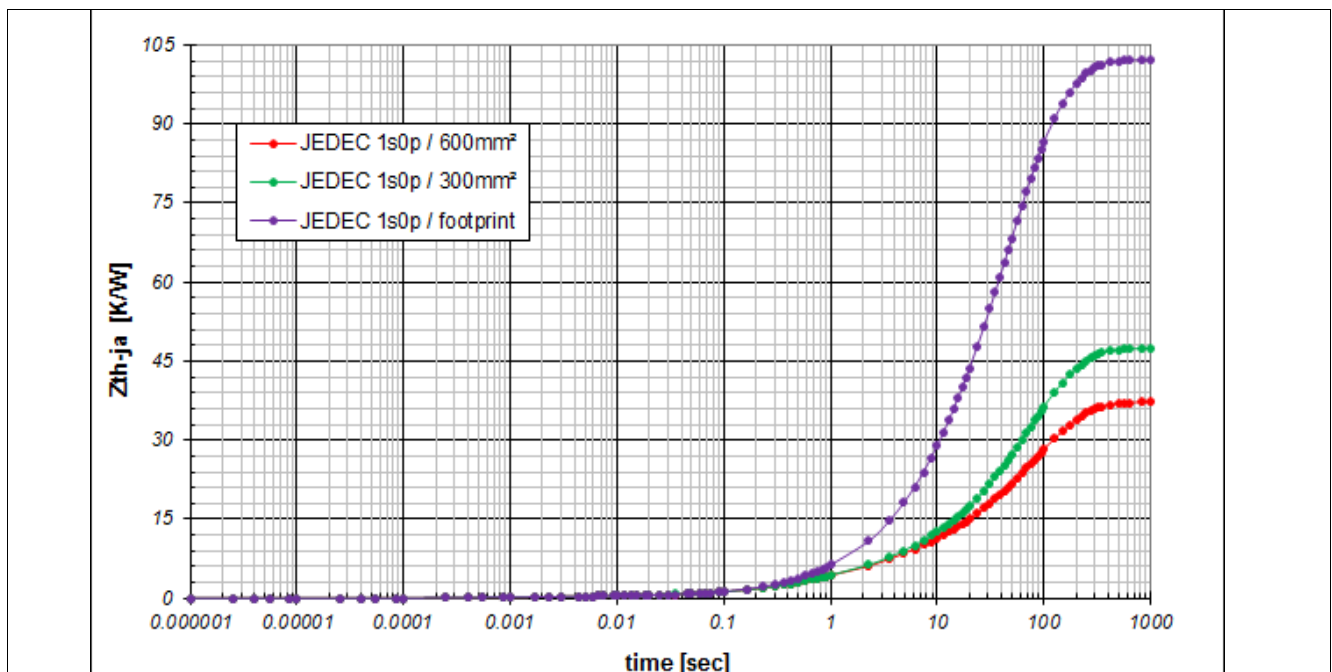


**Figure 6** PCB layout.

### 4.3.2 Transient Thermal Impedance



**Figure 7** Typical transient thermal impedance  $Z_{thJA} = f(t_p)$ ,  $T_a = 85^\circ\text{C}$   
Value is according to Jecdec JESD51-2,-7 at natural convection on FR4 2s2p board; The product (Chip and Package) was simulated on a 76.2 x 114.3 x 1.5 mm<sup>3</sup> board with 2 inner copper layers (2 x 70 um Cu, 2 x 35 um Cu). Where applicable a thermal via array under the exposed pad contacted the first inner copper layer. Device is dissipating 1 W power.



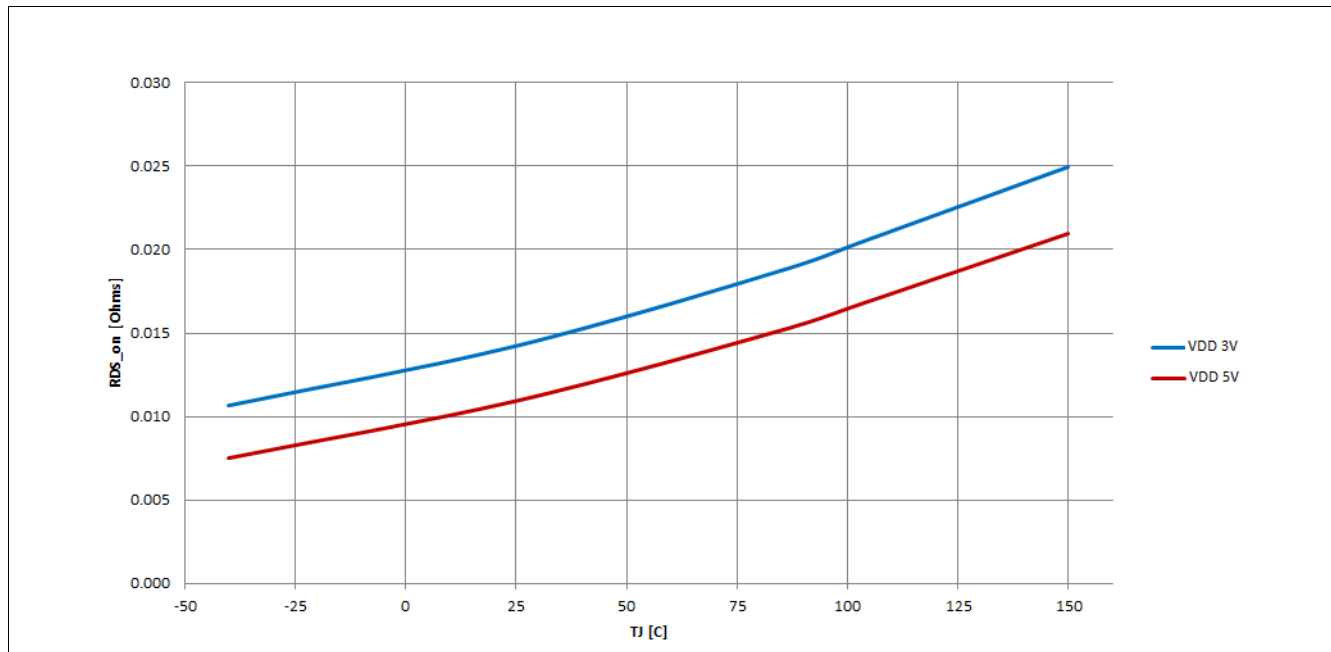
**Figure 8** Typical transient thermal impedance  $Z_{thJA} = f(t_p)$ ,  $T_a = 85^\circ\text{C}$   
Value is according to Jecdec JESD51-3 at natural convection on FR4 1s0p board. Device is dissipating 1 W power.

Power Stage

## 5 Power Stage

### 5.1 Output On-state Resistance

The on-state resistance depends on the supply voltage as well as on the junction temperature  $T_J$ . **Figure 9** shows this dependencies in terms of temperature and voltage for the typical on-state resistance  $R_{DS(ON)}$ . The behavior in reverse polarity is described in chapter “**Reverse Current Capability**” on **Page 16**.



**Figure 9** Typical On-State Resistance,  
 $R_{DS(ON)} = f(T_J)$ ;  
 $V_{DD} = 5\text{ V}, 3\text{ V}; V_{IN} = \text{high}$

A high signal at the input pin causes the power DMOS to switch ON with a dedicated slope. To achieve the specified  $R_{DS(ON)}$  and switching speed, a 5 V supply is required.

Power Stage

5.2 Resistive Load Output Timing

Figure 10 shows the typical timing when switching a resistive load.

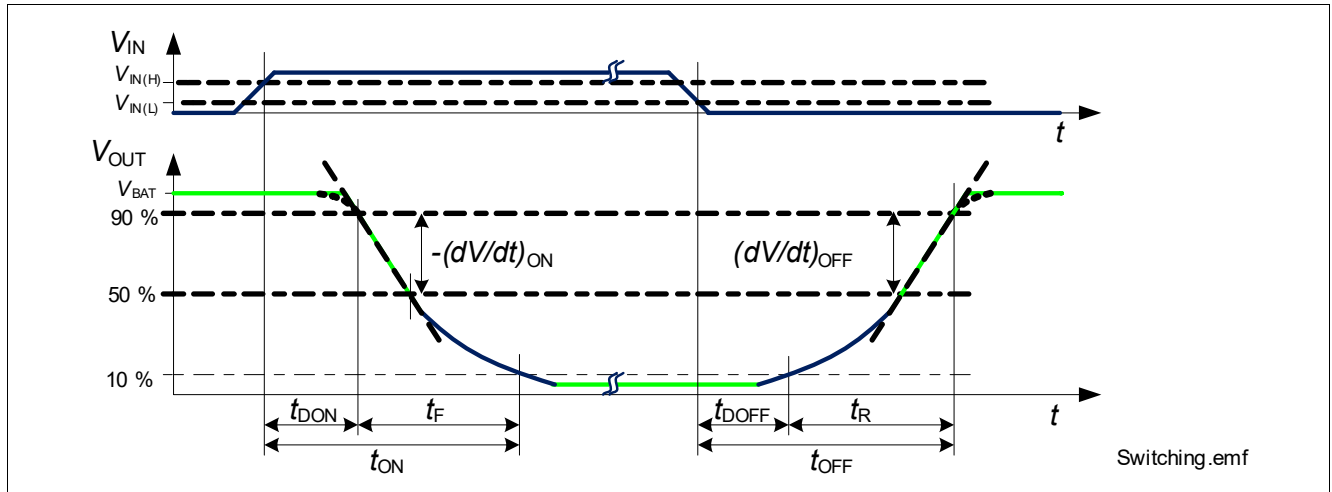


Figure 10 Definition of Power Output Timing for Resistive Load

5.3 Inductive Load

5.3.1 Output Clamping

When switching off inductive loads with low side switches, the drain-source voltage  $V_{OUT}$  rises above battery potential, because the inductance intends to continue driving the current. To prevent unwanted high voltages the device has a voltage clamping mechanism to keep the voltage at  $V_{OUT(CLAMP)}$ . During this clamping operation mode the device heats up as it dissipates the energy from the inductance. Therefore the maximum allowed load inductance is limited. See Figure 11 and Figure 12 for more details.

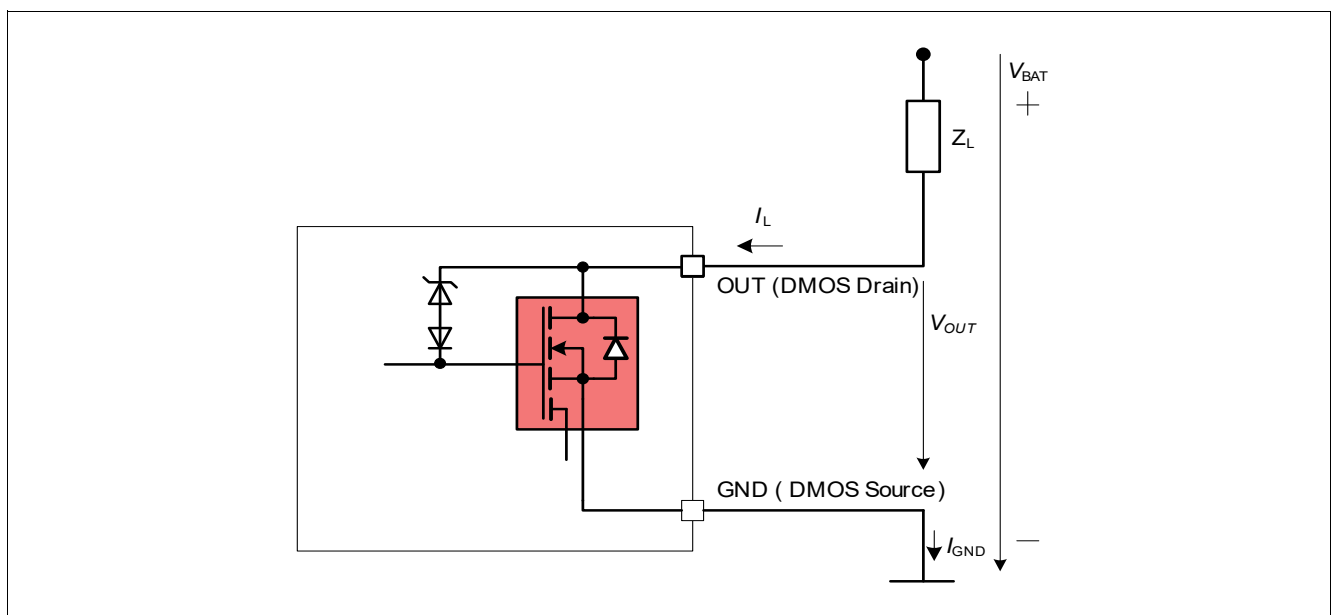
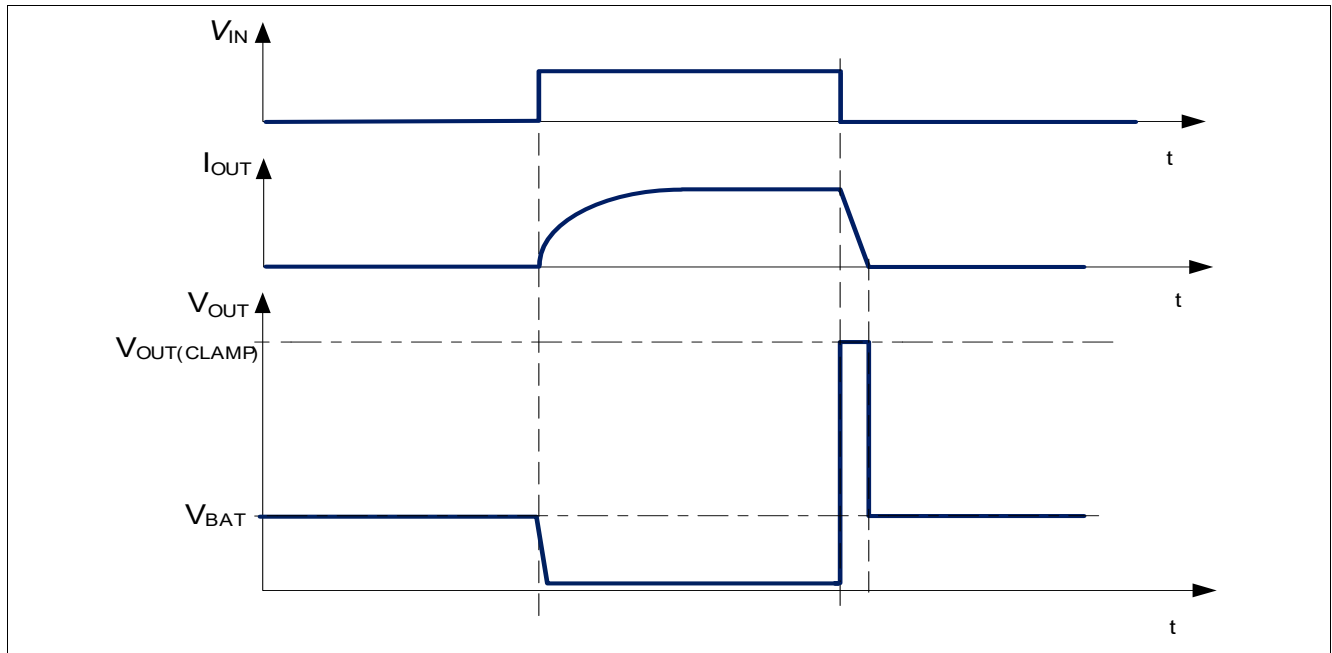


Figure 11 Output Clamp Circuitry

**Power Stage**



**Figure 12 Switching an Inductive Load**

*Note: Repetitive switching of inductive load by VDD instead of using the input is a not recommended operation and may affect the device reliability and reduce the lifetime.*

**5.3.2 Maximum Load Inductance**

While demagnetization of inductive loads, energy has to be dissipated in the BTS3011TE. This energy can be calculated by the following equation:

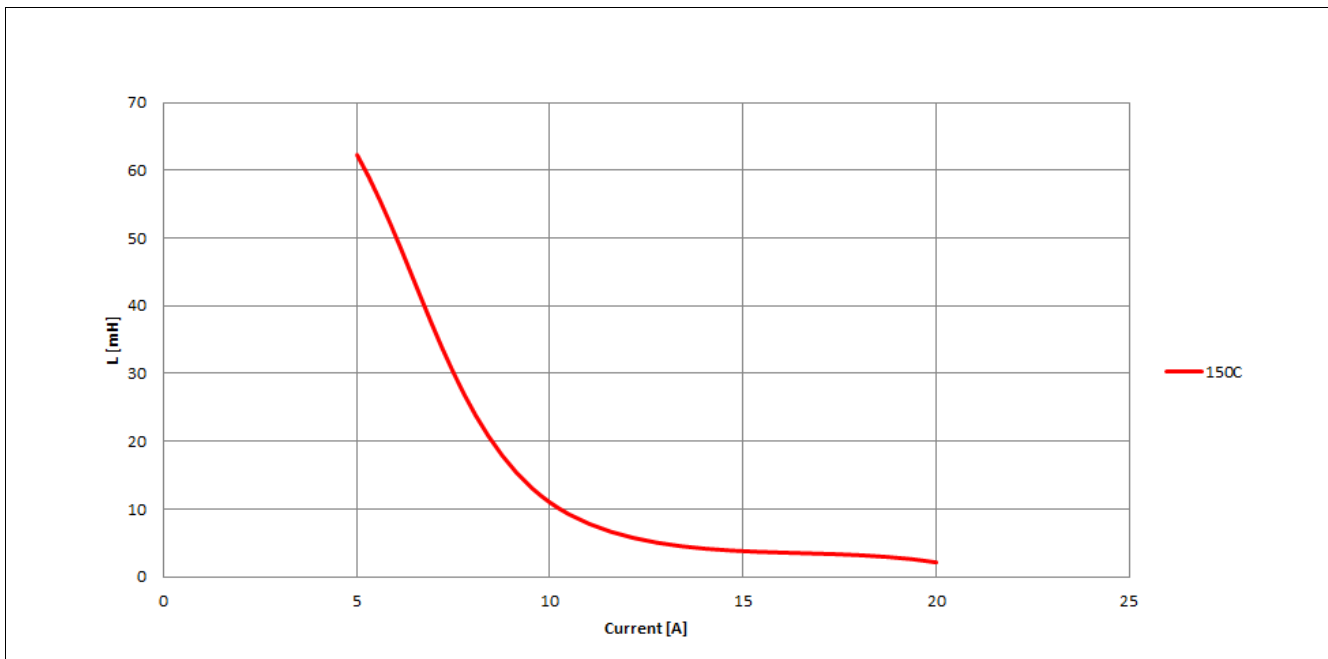
$$E = V_{OUT(CLAMP)} \times \left[ \frac{V_{BAT} - V_{OUT(CLAMP)}}{R_L} \times \ln \left( 1 - \frac{R_L \times I_L}{V_{BAT} - V_{OUT(CLAMP)}} \right) + I_L \right] \times \frac{L}{R_L} \quad (5.1)$$

Following equation simplifies under assumption of  $R_L = 0$

$$E = \frac{1}{2} L I_L^2 \times \left( 1 - \frac{V_{BAT}}{V_{BAT} - V_{OUT(CLAMP)}} \right) \quad (5.2)$$

**Figure 13** shows the inductance / current combination the BTS3011TE can handle. For maximum single avalanche energy please also refer to  $E_{AS}$  parameter in **Page 8**

**Power Stage**



**Figure 13 Maximum load inductance for single pulse**

$$L = f(I_L);$$

$$T_{J(0)} = 150^{\circ}\text{C}; V_{\text{BAT}} = 13.5 \text{ V}$$

### 5.4 Reverse Current Capability

A reverse battery situation means the OUT pin is pulled below GND potential to  $-V_{\text{BAT}}$  via the load  $Z_L$ .

In this situation the load is driven by a current through the intrinsic body diode of the BTS3011TE and all protection, such as current limitation, over temperature or over voltage clamping, are not active.

OT is active in inverse current if DMOS is ON

In certain application case (for example in a bridge or half-bridge configuration) the intrinsic reverse body diode is used for freewheeling of an inductive load. In this case the device is still supplied but an inverse current is flowing from GND to OUT(drain) and the OUT will be pulled below GND.

In inverse or reverse operation via the reverse body diode, the device is dissipating a power loss which is defined by the driven current and the voltage drop on the body diode  $-V_{\text{DS}}$ .

The BTS3011TE is capable of switching ON during inverse current by setting the IN high. In this condition, the over temperature is active.

### 5.5 Characteristics

Please see **“Power Stage” on Page 24** for electrical characteristic table.



**Protection Functions**

**6 Protection Functions**

The device provides embedded protection functions. Integrated protection functions are designed to prevent IC destruction under fault conditions described in the data sheet. Fault conditions are considered as “outside” normal operation. Protection functions are not to be used for continuous or repetitive operation.

**6.1 Over Voltage Clamping on OUTPUT**

The BTS3011TE is equipped with a voltage clamp circuitry that keeps the drain-source voltage  $V_{DS}$  at a certain level  $V_{OUT(CLAMP)}$ . The over voltage clamping is overruling the other protection functions. Power dissipation has to be limited to not exceed the maximum allowed junction temperature.

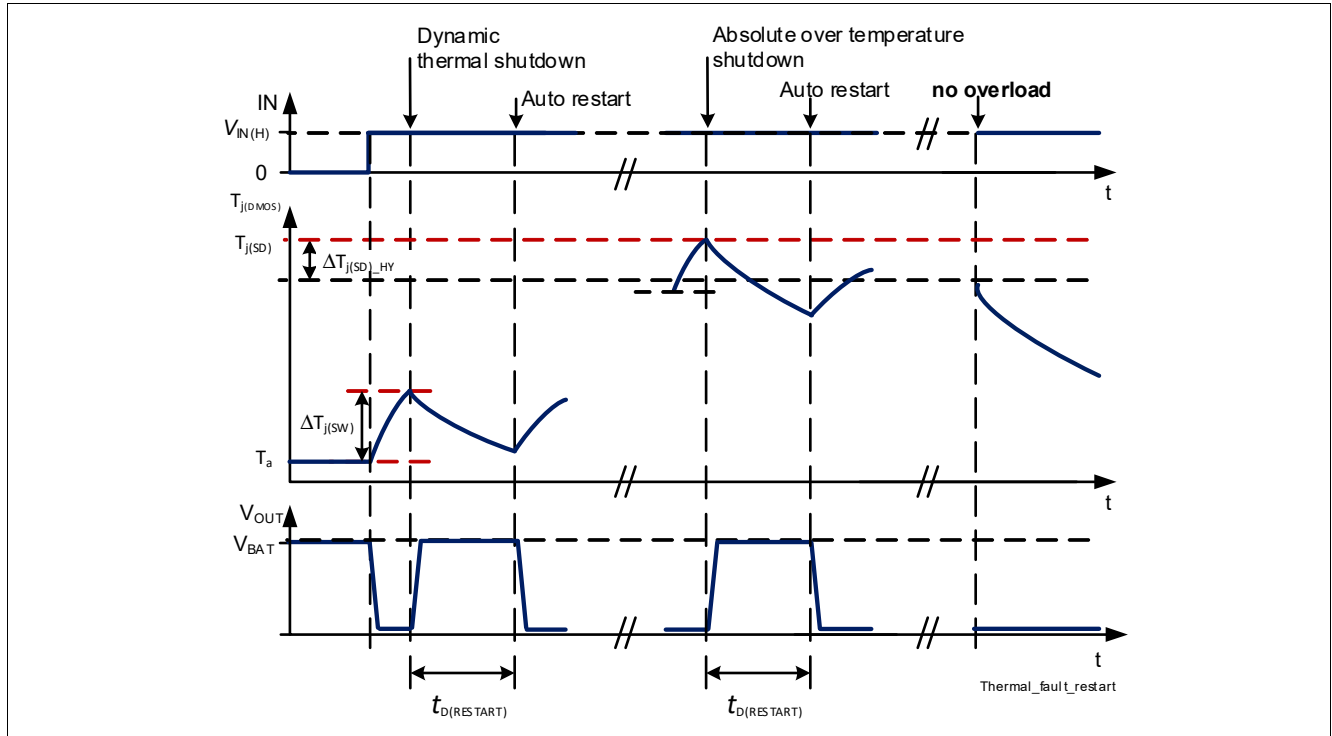
This function is also used in terms of inductive clamping. Please see also **“Output Clamping” on Page 14** for more details.

**6.2 Thermal Protection**

The device is protected against over temperature due to overload and/or bad cooling conditions by an integrated temperature sensor. The thermal protection is available if the device is active. .

The device incorporates an absolute ( $T_{J(SD)}$ ) and a dynamic temperature limitation ( $\Delta T_{J(SW)}$ ). Triggering one of them will cause the output to switch off.

The BTS3011TE has a delayed thermal-restart function. If the input (IN) is still high the device will turn on again after a delayed time  $t_{D(RESTART)}$  considering the junction temperature has dropped below the thermal hysteresis.



**Figure 14 Thermal protective switch OFF scenario with thermal restart**

*Note: For better understanding, the time scale is not linear. The real timing of this drawing is application dependant and cannot be described.*

**Protection Functions**

**6.3 Overcurrent Limitation / Short Circuit Behavior**

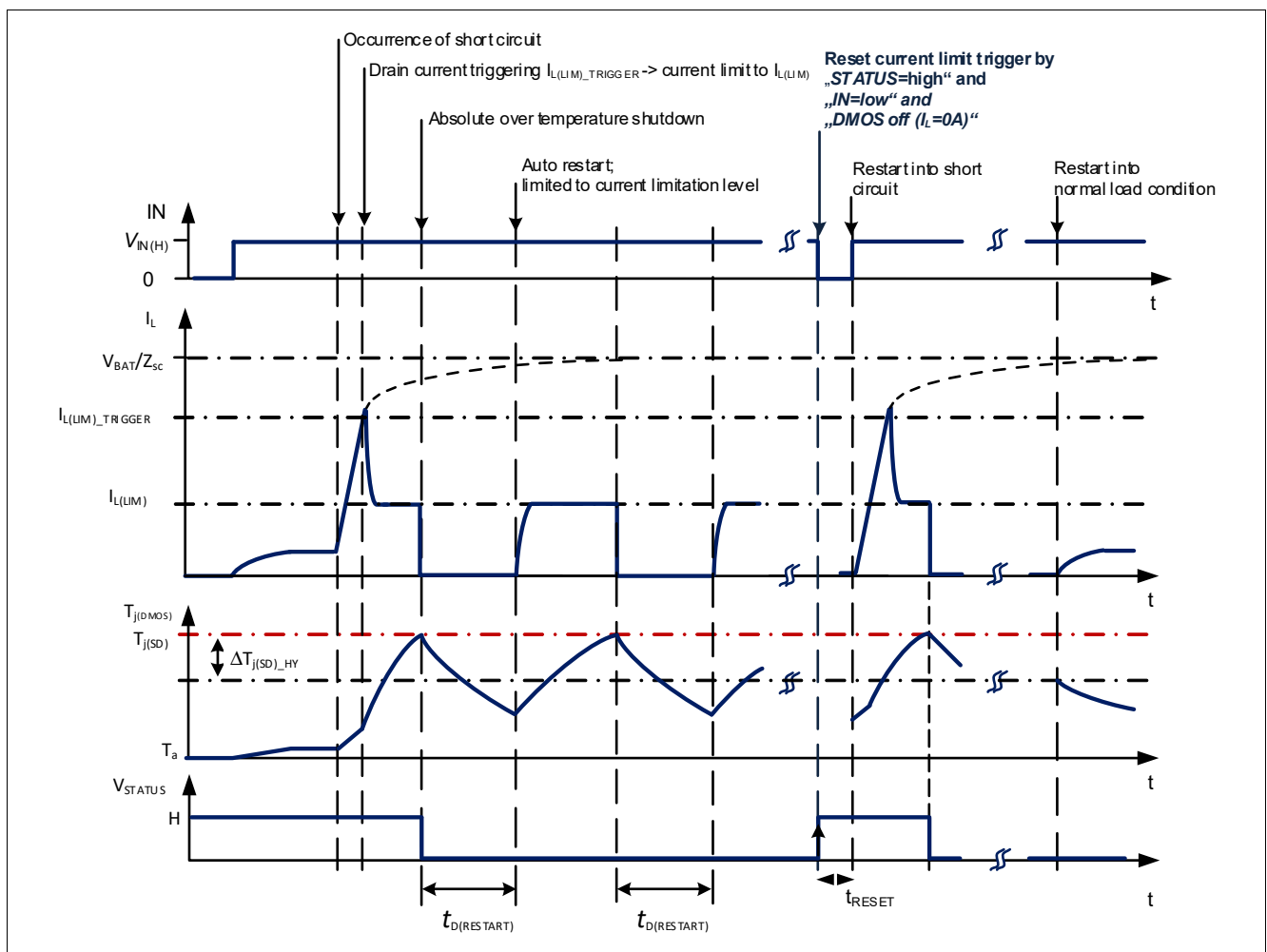
This device is providing a smart overcurrent limitation intended to provide protection against short circuit conditions while allowing also load inrush currents higher than the current limitation level. To achieve this, the device has a current limitation level  $I_{L(LIM)}$  which is triggered by a higher trigger level  $I_{L(LIM)_TRIGGER}$ .

The condition short circuit is an overload condition on the device.

If the load current  $I_L$  reaches the current limitation trigger level  $I_{L(LIM)_TRIGGER}$  the internal current limitation will be activated and the device limits the current to a lower value  $I_{L(LIM)}$ . The device then starts heating up. When the thermal shutdown temperature  $T_{J(SD)}$  is reached, the device turns off. The time from the beginning of current limitation until the over temperature switch off depends strongly on the cooling conditions.

If input is still high, the device will turn on again after a delayed time  $t_{D(RESTART)}$  considering the junction temperature has dropped below the thermal hysteresis. The current limitation trigger is a latched signal. It will be only reset by input (IN) pin low and resetting the latch fault signal (STATUS pin = high). See **Chapter 7** Diagnostics) at the same time. This means if the input stays high all the time during short circuit, the current will be limited to  $I_{L(LIM)}$  during the following pulses (while on thermal restart). It also means that the output current remains limited to the current limitation level  $I_{L(LIM)}$  as long as the current limitation trigger is not reset.

**Figure 15** shows this behavior.



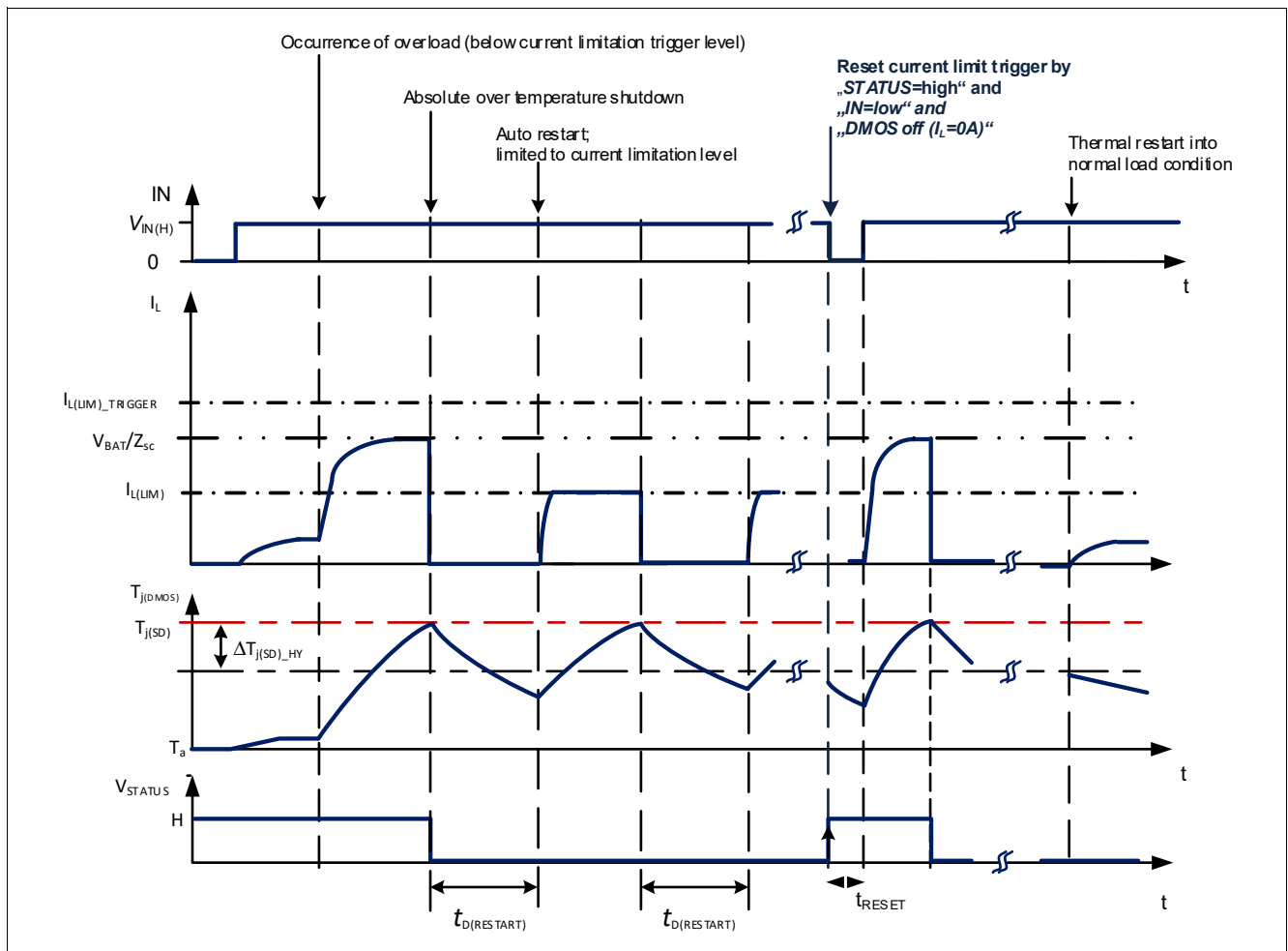
**Figure 15 Short circuit protection via current limitation and thermal switch off, with latched fault signal on STATUS-pin**

**Protection Functions**

Note: For better understanding, the time scale is not linear. The real timing of this drawing is application dependant and cannot be described.

**Behavior with overload current below current limitation trigger level**

The lower current limitation level  $I_{L(LIM)}$  will be also triggered by a thermal shutdown. This could be the case in terms of overload with a current still below the current limitation trigger level ( $I_L < I_{L(LIM)TRIGGER}$ ).



**Figure 16 Example of overload behavior with thermal shutdown**

Note: For better understanding, the time scale is not linear. The real timing of this drawing is application dependant and cannot be described.

**6.4 Characteristics**

Please see **“Protection” on Page 26** for electrical characteristic table.

**Diagnostics**

**7 Diagnostics**

The BTS3011TE provides a latching digital fault feedback signal on the STATUS pin triggered by an over temperature shutdown.

**7.1 Functional Description of the STATUS Pin**

The BTS3011TE provides digital status information via the STATUS pin to give an alarm feedback to a connected microcontroller. Please see **Figure 17 “Feedback and control of STATUS pin” on Page 20**

**Normal operation mode**

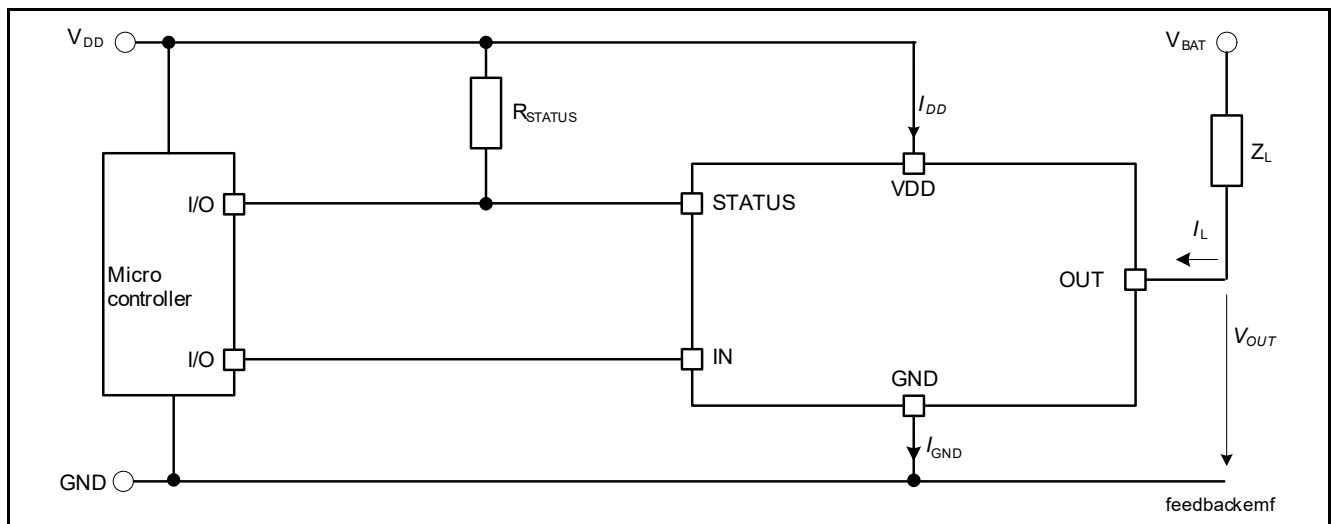
In normal operation (no fault is detected) the STATUS pin’s logic is set ”high”. It is pulled up via an external Resistor ( $R_{STATUS}$ ). Internally it is connected to an open drain MOSFET through an internal resistor.

**Fault operation**

In case of a thermal shutdown (fault), an internal MOSFET connected to the STATUS pin, pulls its voltage down to GND, providing a “low” level signal to the microcontroller. Fault mode operation remains active independent from the input pin state or internal restarts until it is reset.

**Reset latch fault signal (external pull up)**

To reset the latch fault signal of the BTS3011TE, the STATUS pin has to be pulled up to 5 V (recommended  $V_{DD}$ ). Resetting the fault signal will not reset the current limitation trigger signal. To do so, the INPUT pin has to be set in logic “low” at the same time the STATUS pin is set “high”. In this case, the fault latch signal and the current limitation trigger will be reset (assuming the temperature has dropped below  $\Delta T_{J\_HYS}$ ). Please refer to **Figure 15** and **Figure 16**.



**Figure 17 Feedback and control of STATUS pin**

For recommended values of external components please see **“Application Information” on Page 40**

**7.2 Characteristics**

Please see **“Diagnostics” on Page 27** for electrical characteristic table.

**Supply and Input Stage**

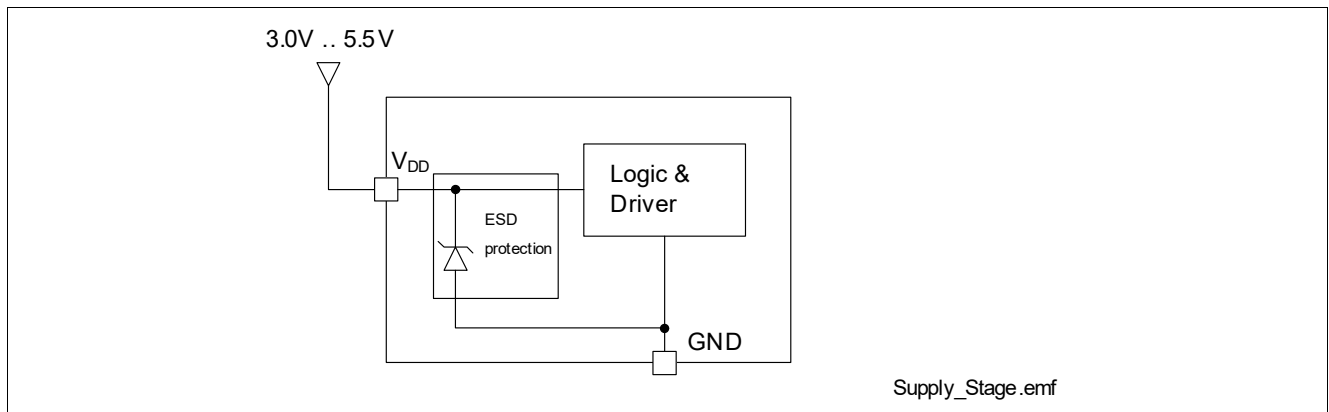
## 8 Supply and Input Stage

### 8.1 Supply Circuit

The supply pin  $V_{DD}$  is protected against ESD pulses as shown in **Figure 18**.

The device supply is not internal regulated but directly taken from an external supply. Therefore a reverse polarity protected and buffered 5 V (or 3.3 V) voltage supply is required. To achieve the specified  $R_{DS(ON)}$  and switching speed a 5 V supply is required.

The device shall be supplied via the  $V_{DD}$  pin before applying an input signal  $V_{IN}$  to ensure the correct functionality of the device.



**Figure 18** Supply Circuit

#### 8.1.1 Undervoltage Shutdown

In order to ensure a stable and defined device behavior under all allowed conditions the supply voltage  $V_{DD}$  is monitored.

The output switches off, if the supply voltage  $V_{DD}$  drops below the switch-off threshold  $V_{DD(TH)}$ . In this case also all latches will be reset. The device functions are only given for supply voltages above the supply voltage threshold  $V_{DD(SD)MAX}$ . There is no failure feedback ensured for  $V_{DD} < V_{DD(SD)}$ .

Supply and Input Stage

### 8.2 Input Circuit

Figure 19 shows the input circuit of the BTS3011TE. Due to an internal pull-down it is ensured that the device switches off in case of open input pin. A Zener structure protects the input circuit against ESD pulses. As the BTS3011TE has a supply pin, the  $R_{DS(ON)}$  of the power MOS is independent of the voltage on the IN pin (assumed  $V_{DD}$  is sufficient).

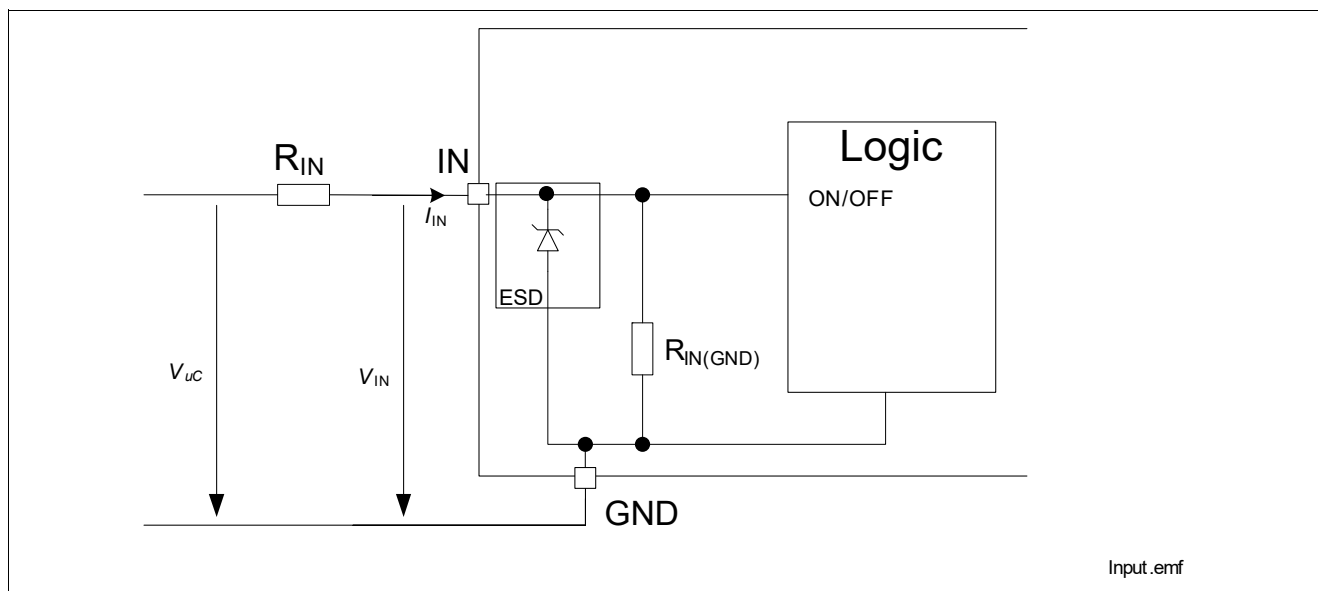


Figure 19 Simplified INput circuitry

**Supply and Input Stage**

**8.3 Characteristics**

Please see **“Supply and Input Stage” on Page 28** for electrical characteristic table.

**Electrical Characteristics**

**9 Electrical Characteristics**

*Note:* Characteristics show the deviation of parameter at given input voltage and junction temperature. Typical values show the typical parameters expected from manufacturing and in typical application condition.  
 All voltages and currents naming and polarity in accordance to **Figure 3 “Naming Definition of electrical parameters” on Page 7**

**9.1 Power Stage**

Please see Chapter **“Power Stage” on Page 13** for parameter description and further details.

**Table 6 Electrical Characteristics: Power Stage**

$T_j = -40^\circ\text{C}$  to  $+150^\circ\text{C}$ ,  $V_{DD} = 3.0\text{ V}$  to  $5.5\text{ V}$ ,  $V_{BAT} = 6\text{ V}$  to  $18\text{ V}$ , all voltages with respect to ground, positive current flowing into pin (unless otherwise specified)

Parameter	Symbol	Values			Unit	Note or Test Condition	Number
		Min.	Typ.	Max.			
<b>Power Stage - Static Characteristics</b>							
On-State resistance at 25°C	$R_{DS(ON)_25}$	–	10.7	–	mΩ	$I_L = I_{L(NOM)}$ ; $V_{DD} = 5\text{ V}$ ; $T_j = 25^\circ\text{C}$	P_9.1.1
On-State resistance at 150°C	$R_{DS(ON)_150}$	–	19	22	mΩ	$I_L = I_{L(NOM)}$ ; $V_{DD} = 5\text{ V}$ ; $T_j = 150^\circ\text{C}$	P_9.1.2
Nominal load current	$I_{L(NOM)}$	–	10	–	A	<sup>1)</sup> $T_j < 150^\circ\text{C}$ ; $V_{DD} = 5\text{ V}$ ;	P_9.1.7
OFF state load current, Output leakage current	$I_{L(OFF)_85}$	–	–	3	μA	<sup>2)</sup> $V_{OUT} = V_{BAT}$ ; $V_{IN} = 0\text{ V}$ ; $V_{DD} = 5\text{ V}$ ; $T_j \leq 85^\circ\text{C}$	P_9.1.8
OFF state load current, Output leakage current at 150°C	$I_{L(OFF)_150}$	–	6	14	μA	$V_{OUT} = V_{BAT}$ ; $V_{IN} = 0\text{ V}$ ; $V_{DD} = 5\text{ V}$ ; $T_j = 150^\circ\text{C}$	P_9.1.9
<b>Reverse Diode</b>							
Reverse diode forward voltage	$-V_{DS}$	–	0.8	1.5	V	$I_L = -I_{L(NOM)}$ ; $V_{IN} = 0\text{ V}$	P_9.1.11
<b>Power Stage - Dynamic characteristics - switching time <math>V_{BAT} = 13.5\text{ V}</math>; <math>V_{DD} = 5\text{ V}</math>; resistive load: <math>R_L = 2.2\ \Omega</math> see <b>Figure 10 “Definition of Power Output Timing for Resistive Load” on Page 14</b> for definition details</b>							
Turn-on time	$t_{ON}$	35	75	115	μs	–	P_9.1.12
Turn-off time	$t_{OFF}$	70	135	210	μs	–	P_9.1.13
Turn-on delay time	$t_{DON}$	5	15	25	μs	–	P_9.1.14



**Electrical Characteristics**

**Table 6 Electrical Characteristics: Power Stage (cont'd)**

$T_j = -40^\circ\text{C}$  to  $+150^\circ\text{C}$ ,  $V_{DD} = 3.0\text{ V}$  to  $5.5\text{ V}$ ,  $V_{BAT} = 6\text{ V}$  to  $18\text{ V}$ , all voltages with respect to ground, positive current flowing into pin (unless otherwise specified)

Parameter	Symbol	Values			Unit	Note or Test Condition	Number
		Min.	Typ.	Max.			
Turn-off delay time	$t_{DOFF}$	40	75	120	$\mu\text{s}$	-	P_9.1.15
Turn-on output fall time	$t_F$	30	60	90	$\mu\text{s}$	-	P_9.1.16
Turn-off output rise time	$t_R$	30	60	90	$\mu\text{s}$	-	P_9.1.17
Turn-on Slew rate <sup>3)</sup>	$(DV/Dt)_{ON}$	0.22	0.4	0.65	$\text{V}/\mu\text{s}$	-	P_9.1.18
Turn-off Slew rate <sup>4)</sup>	$(DV/Dt)_{OFF}$	0.22	0.4	0.65	$\text{V}/\mu\text{s}$	-	P_9.1.19

1) Not subject to production test, calculated by  $R_{thJA}$  and  $R_{DS(ON)}$

2) Not subject to production test, specified by design

3) Not subject to production test, calculated slew rate between 90% and 50%;  $dV/dt = (V_{OUT(90\%)} - V_{OUT(50\%)}) / |(t_{90\%} - t_{50\%})|$

4) Not subject to production test, calculated slew rate between 50% and 90%;  $dV/dt = (V_{OUT(50\%)} - V_{OUT(90\%)}) / |(t_{50\%} - t_{90\%})|$

**Electrical Characteristics**

**9.2 Protection**

Please see Chapter “**Protection Functions**” on **Page 17** for parameter description and further details.

*Note: Integrated protection functions are designed to prevent IC destruction under fault conditions described in the data sheet. Fault conditions are considered as “outside” normal operating range. Protection functions are not designed for continuous repetitive operation*

**Table 7 Electrical characteristics: Protection**

$T_j = -40^\circ\text{C}$  to  $+150^\circ\text{C}$ ,  $V_{DD} = 3.0\text{ V}$  to  $5.5\text{ V}$ ;  $V_{BAT} = 6\text{ V}$  to  $18\text{ V}$ , all voltages with respect to ground, positive current flowing into pin (unless otherwise specified)

Parameter	Symbol	Values			Unit	Note or Test Condition	Number
		Min.	Typ.	Max.			
<b>Thermal shut down <sup>1)</sup></b>							
Thermal shut down junction temperature	$T_{J(SD)}$	150	170	200	°C	<sup>1)</sup>	P_9.2.1
Thermal hysteresis	$\Delta T_{J\_HYS}$	–	20	–	K	<sup>1)</sup>	P_9.2.4
Dynamic temperature limitation	$\Delta T_{J(SW)}$	–	70	–	K	<sup>1)</sup>	P_9.2.5
Auto-restart delay time	$t_{D(RESTART)}$	10	30	40	ms	<sup>1) 2)</sup> $V_{DD} = 5.0\text{ V}$	P_9.2.8
<b>Over Voltage Protection / Clamping</b>							
Drain clamp voltage	$V_{OUT(CLAMP)}$	40	–	–	V	$V_{IN} = 0\text{ V}$ ; $I_D = 50\text{ mA}$ ;	P_9.2.9
<b>Current limitation</b>							
Current limitation trigger level	$I_{L(LIM)\_TRIGGER}$	70	–	140	A	$V_{IN} = 5\text{ V}$ ; $V_{DD} = 5\text{ V}$ ; $V_{DS} = V_{BAT}$	P_9.2.10
Current limitation level	$I_{L(LIM)}$	35	–	70	A	$V_{IN} = 5\text{ V}$ ; $V_{DD} = 5\text{ V}$ ; $V_{DS} = V_{BAT}$	P_9.2.11

1) Not subject to production test, specified by design.

2) Auto restart delay time after temperature protection shutdown. Thermal hysteresis must be also considered.

**Electrical Characteristics**

**9.3 Diagnostics**

Please see Chapter “**Diagnostics**” on **Page 20** for description and further details.

**Table 8 Electrical Characteristics: Diagnostics**

$T_j = -40^\circ\text{C}$  to  $+150^\circ\text{C}$ ,  $V_{DD} = 3.0\text{ V}$  to  $5.5\text{ V}$ ,  $V_{BAT} = 6\text{ V}$  to  $18\text{ V}$ , all voltages with respect to ground, positive current flowing into pin (unless otherwise specified)

Parameter	Symbol	Values			Unit	Note or Test Condition	Number
		Min.	Typ.	Max.			
<b>Feedback pin</b>							
Status pin voltage drop	$V_{\text{STATUS(ON)}}$	–	0.5	0.8	V	$I_{\text{STATUS}} = 0.5\text{ mA}$ ; $3\text{ V} \leq V_{\text{IN}} \leq 5.5\text{ V}$ latched fault;	P_9.3.1
Status pin leakage current	$I_{\text{STATUS(OFF)}_{85}}$	–	1.5	6	$\mu\text{A}$	<sup>1)</sup> $V_{\text{STATUS}} \leq 5.5\text{ V}$ ; $T_j \leq 85^\circ\text{C}$ ; $0\text{ V} \leq V_{\text{IN}} \leq 5.5\text{ V}$	P_9.3.2
Status pin leakage current at $150^\circ\text{C}$	$I_{\text{STATUS(OFF)}_{150}}$	–	6	12	$\mu\text{A}$	$V_{\text{STATUS}} \leq 5.5\text{ V}$ ; $T_j \leq 150^\circ\text{C}$ ; $0\text{ V} \leq V_{\text{IN}} \leq 5.5\text{ V}$	P_9.3.3
Status pin reset threshold	$V_{\text{STATUS(RESET)}}$	0.9	1.8	2.7	V	–	P_9.3.4
Status pin reset current	$I_{\text{STATUS(RESET)}}$	3	–	7	mA	–	P_9.3.5
Fault feedback reset time	$t_{\text{STATUS(RESET)}}$	100	–	–	$\mu\text{s}$	$V_{\text{STATUS}} > V_{\text{STATUS(RESET)}}$ ; no over temperature	P_9.3.6

1) Not subject to production test, specified by design.

**Electrical Characteristics**

**9.4 Supply and Input Stage**

Please see Chapter “[Supply and Input Stage](#)” on [Page 21](#) for description and further details.

**Table 9 Electrical Characteristics: Supply and Input**

$T_j = -40^\circ\text{C}$  to  $+150^\circ\text{C}$ ,  $V_{DD} = 3.0\text{ V}$  to  $5.5\text{ V}$ ,  $V_{BAT} = 6\text{ V}$  to  $18\text{ V}$ , all voltages with respect to ground, positive current flowing into pin (unless otherwise specified)

Parameter	Symbol	Values			Unit	Note or Test Condition	Number
		Min.	Typ.	Max.			
<b>Supply</b>							
Nominal supply voltage	$V_{DD(NOM)}$	3.0	5.0	5.5	V	–	P_9.4.1
Supply Undervoltage Shutdown Switch-on/off threshold voltage	$V_{DD(TH)}$	1.3	2.2	3.0	V	$V_{IN} = 5.0\text{ V}$	P_9.4.2
Supply current, continuous ON operation	$I_{DD(ON)}$	–	–	1	mA	device on-state $V_{DD} = 5.0\text{ V}$ $I_{L(0)} = I_{L(NOM)}$	P_9.4.3
Supply current, inverse condition on OUT to GND	$I_{DD(-VOUT)}$	–	–	1	mA	<sup>1)</sup> $V_{OUT} < -0.3\text{ V}$ $V_{IN} = 5.0\text{ V}$	P_9.4.5
Standby supply current	$I_{DD(OFF)_85}$	–	1.5	6	$\mu\text{A}$	<sup>1)</sup> $V_{IN} = 0\text{ V}$ $V_{DD} = 5.0\text{ V}$ $T_j < 85^\circ\text{C}$ no fault signal	P_9.4.6
Standby supply current at 150°C	$I_{DD(OFF)_150}$	–	6	14	$\mu\text{A}$	$V_{IN} = 0\text{ V}$ $V_{DD} = 5.0\text{ V}$ $T_j < 150^\circ\text{C}$ no fault signal	P_9.4.7
Standby supply current, inverse condition on OUT to GND	$I_{DD(OFF)(-VOUT)}$	–	–	200	$\mu\text{A}$	$I_L = -I_{L(NOM)}$ $V_{IN} = 0\text{ V}$	P_9.4.8
<b>Input</b>							
Low level input voltage	$V_{IN(L)}$	-0.3	–	0.8	V	–	P_9.4.9
High level input voltage	$V_{IN(H)}$	2.0	–	5.5	V	–	P_9.4.10
Input voltage hysteresis	$V_{IN(HYS)}$	–	200	–	mV	<sup>1)</sup>	P_9.4.11
Input pull down current	$I_{IN}$	–	–	160	$\mu\text{A}$	$2.7\text{ V} < V_{IN} < 5.5\text{ V}$ $-0.3\text{ V} < V_{DD} < 5.5\text{ V}$	P_9.4.12
Internal Input pull down resistor	$R_{IN(GND)}$	25	50	100	k $\Omega$	–	P_9.4.13

<sup>1)</sup> Not subject to production test, specified by design.

Characterisation Results

# 10 Characterisation Results

Typical performance characteristics

## 10.1 Power Stage

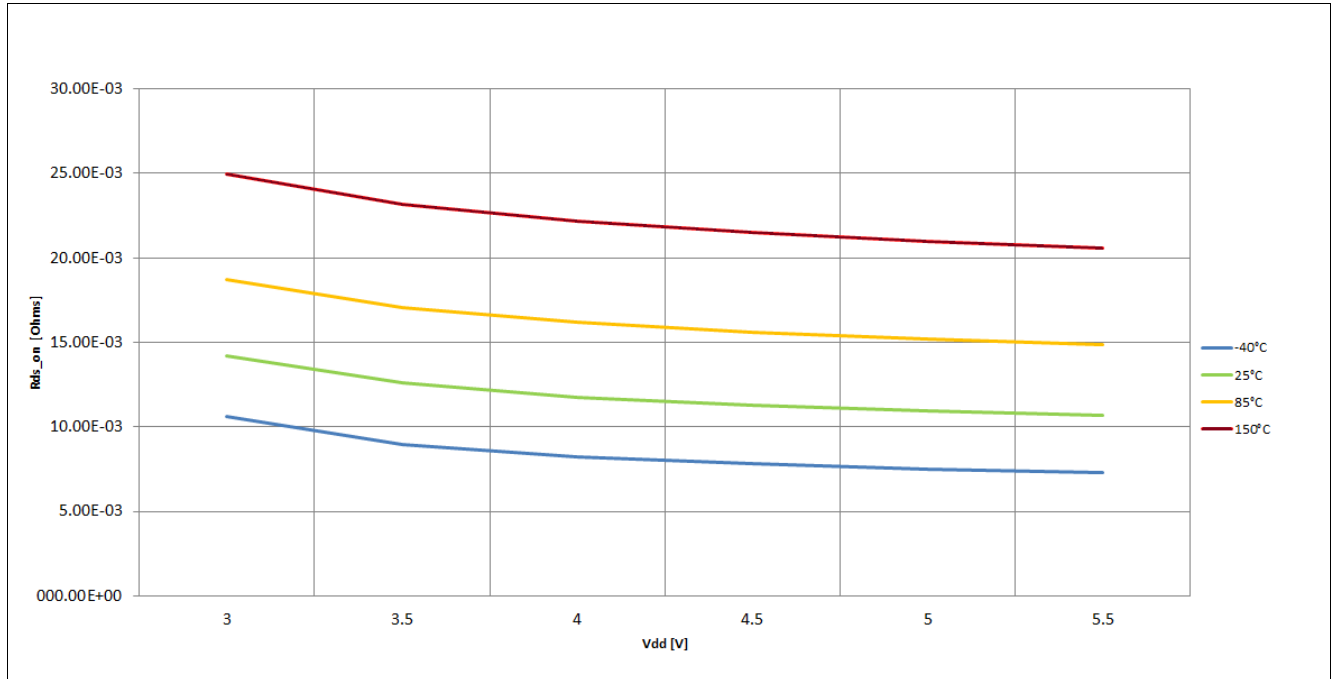


Figure 20 Typical  $R_{DS(ON)}$  vs.  $V_{DD}$  (3..5.5 V) @  $T_j = -40, 25, 85, 150^\circ\text{C}$ ;  $I_L(NOM)$

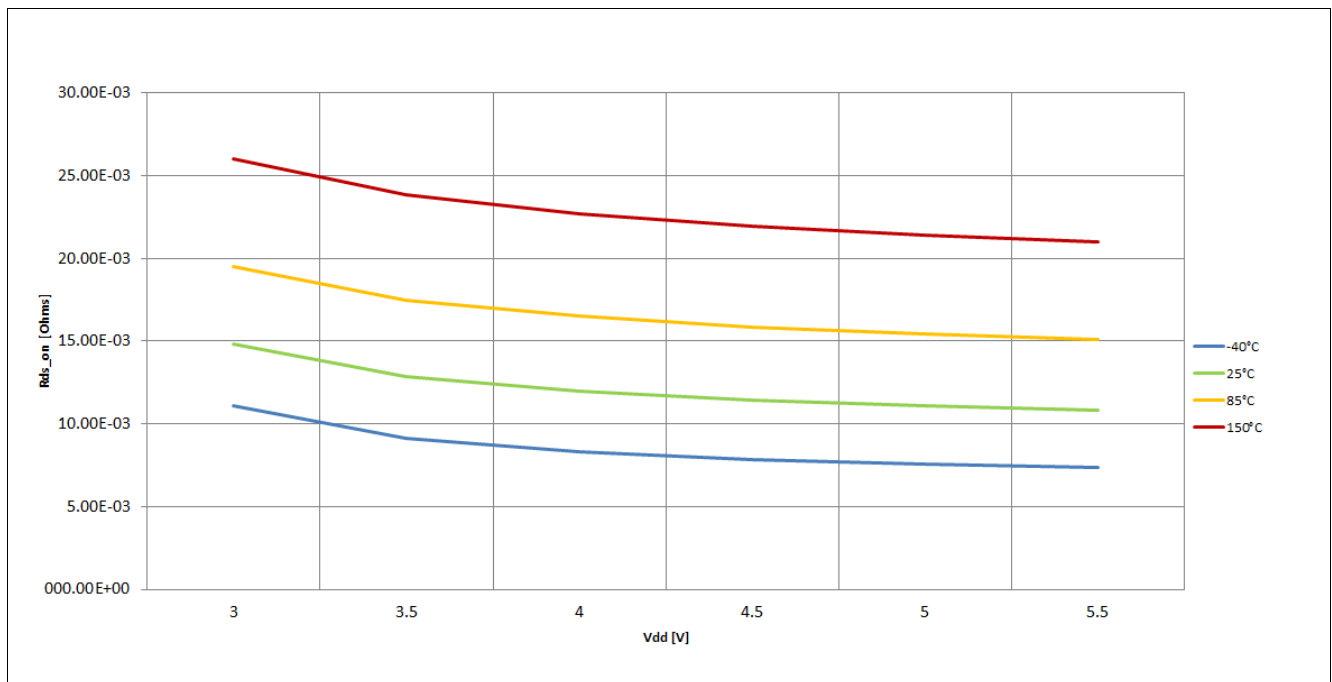
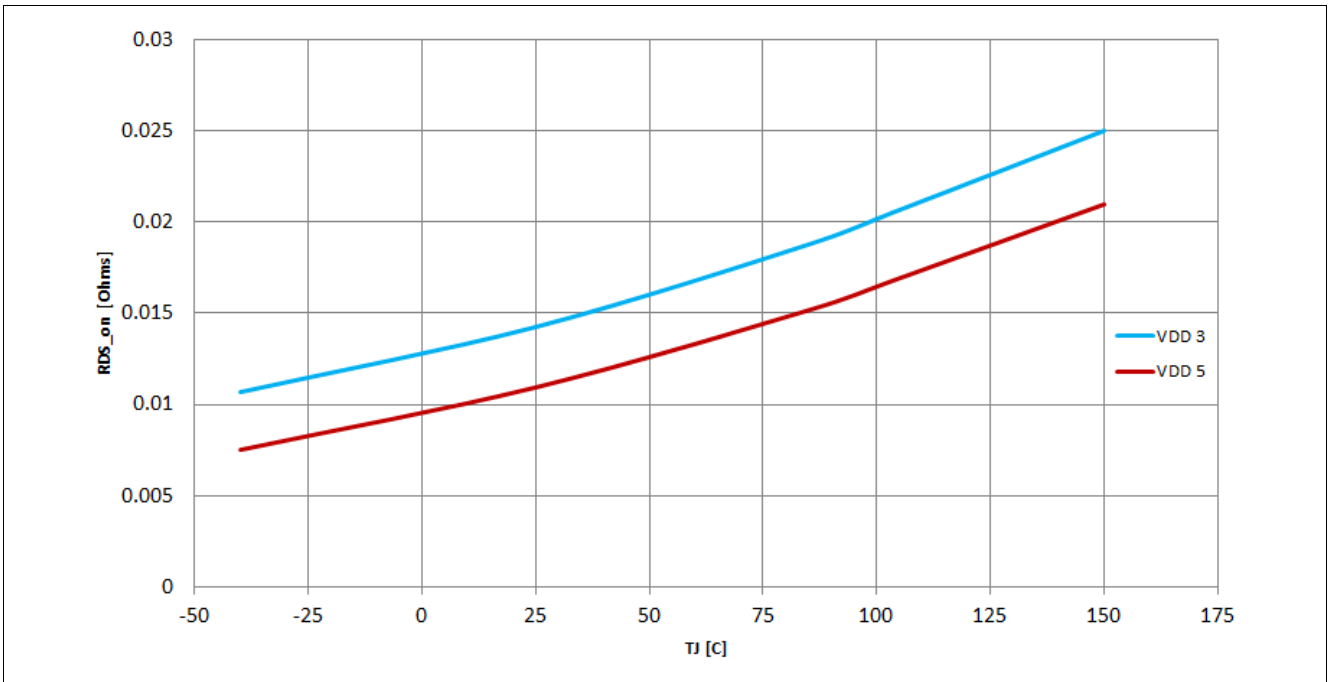
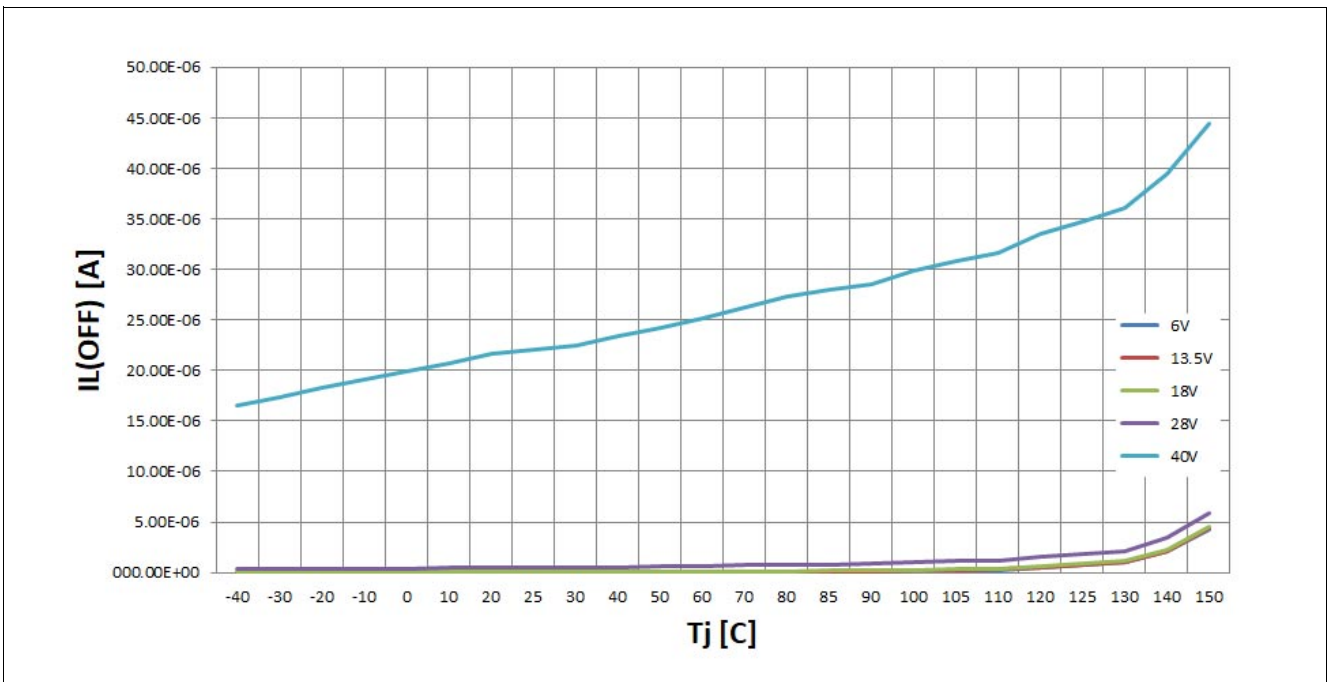


Figure 21 Typical  $R_{DS(ON)}$  vs.  $V_{DD}$  (3..5.5 V) @  $T_j = -40, 25, 85, 150^\circ\text{C}$ ;  $I_L = 2 * I_L(NOM)$

**Characterisation Results**

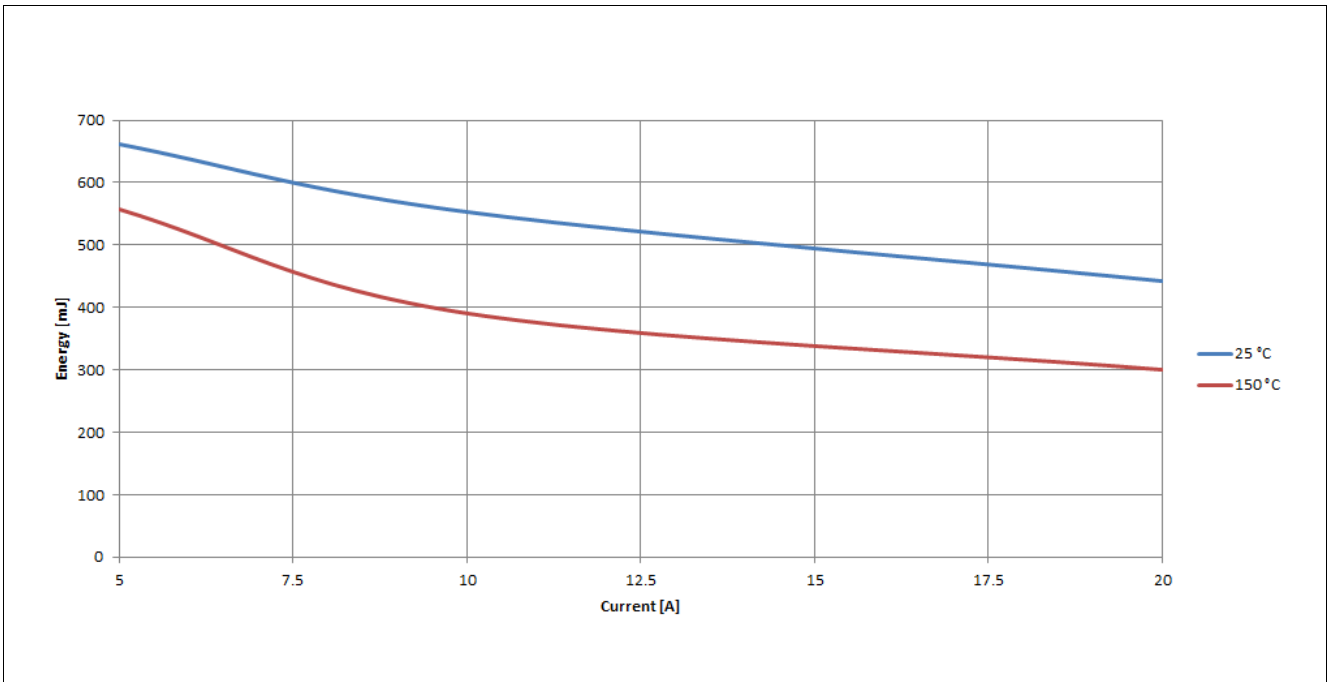


**Figure 22** Typical  $R_{DS(ON)}$  vs.  $T_j$  (-40..150°C) @  $V_{DD}=5\text{ V}, 3\text{ V}; I_{L(NOM)}$

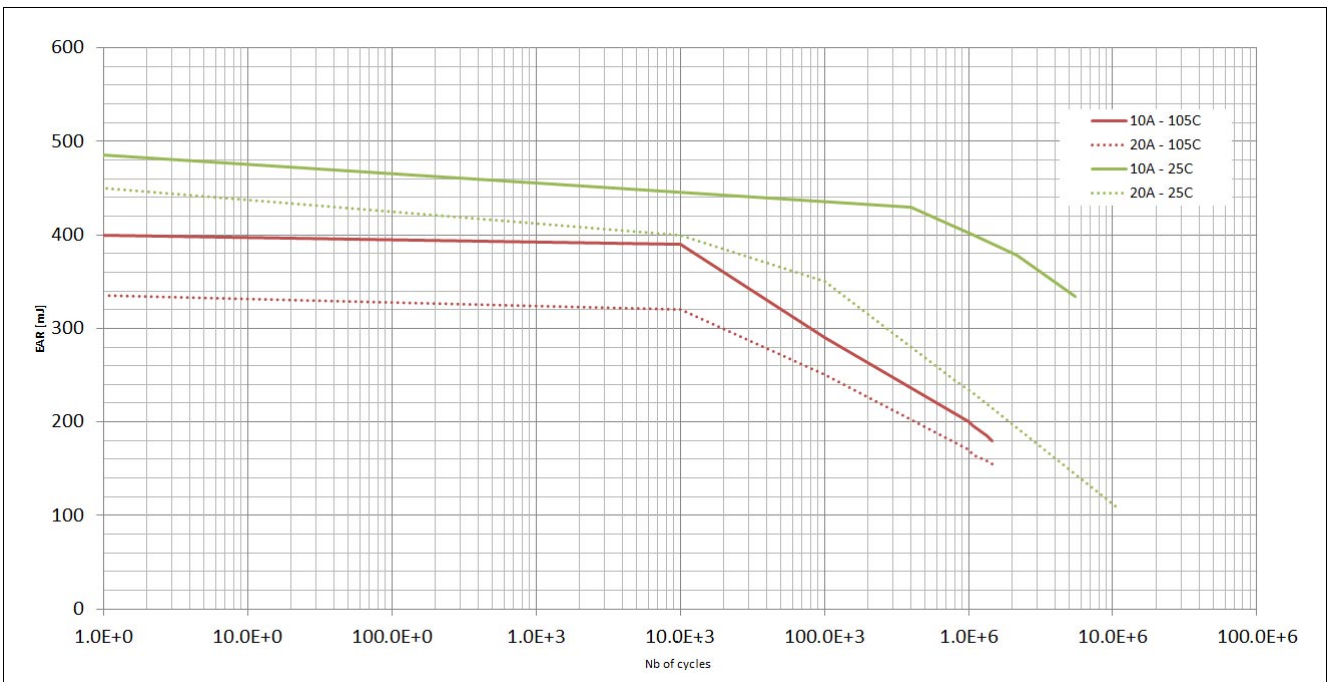


**Figure 23** Typical  $I_{L(OFF)}$  vs.  $T_j$  (-40..150°C) @  $V_{BAT}=6\text{ V}, 13.5\text{ V}, 18\text{ V}, V_{BAT(SC)}\text{ V}, 40\text{ V}; V_{IN}=0\text{ V};$

**Characterisation Results**



**Figure 24**  $E_{AS}$  [J] vs.  $I_L$  ( $0.5 \cdot I_{L(NOM)}$ ,  $I_{L(NOM)}$ ,  $2 \cdot I_{L(NOM)}$ ) @  $T_{J(0)} = 25^\circ\text{C}$  and  $150^\circ\text{C}$



**Figure 25**  $E_{AR}$  [J] vs. No. cycles; @  $I_{L(NOM)}$ ,  $2 \cdot I_{L(NOM)}$ ;  $T_{J(0)} = 25, 105^\circ\text{C}$ ;

Characterisation Results

10.2 Dynamic characteristics

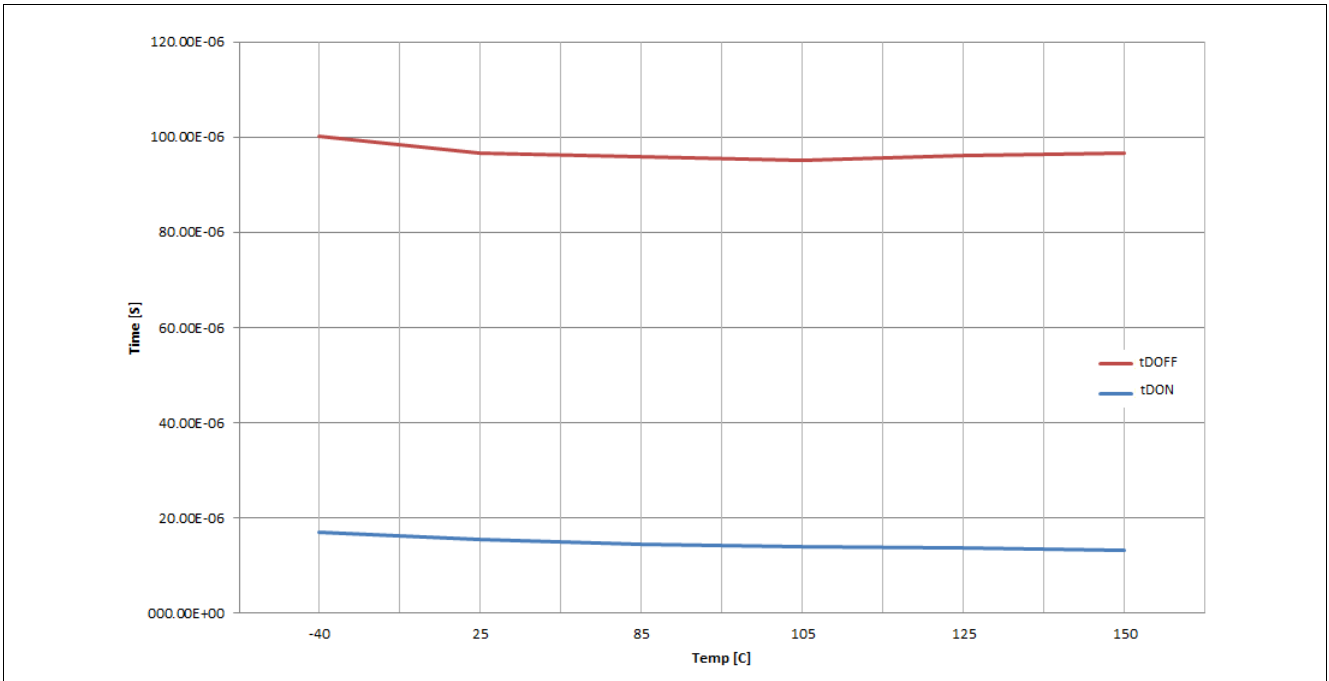


Figure 26 Typical delay on time, delay off time vs.  $T$  (-40..150°C) @  $V_{DD}=5\text{ V}$ ;  $V_{BAT}=13.5\text{ V}$

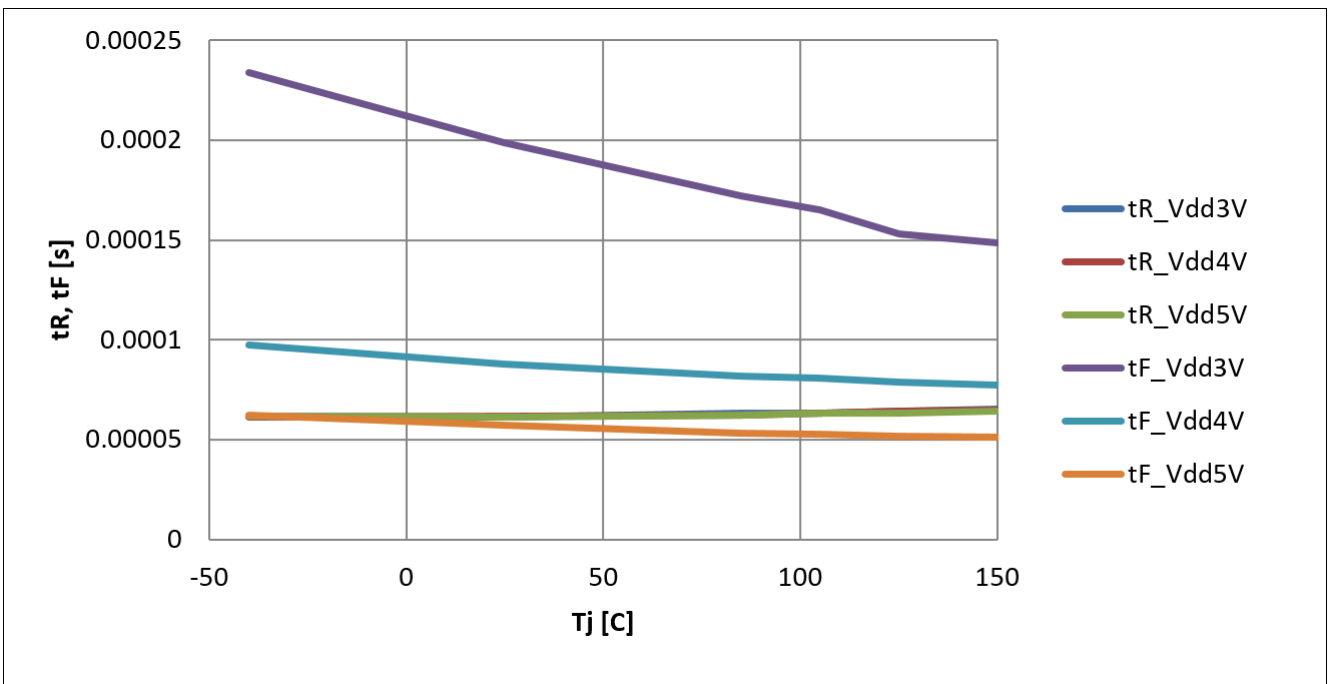
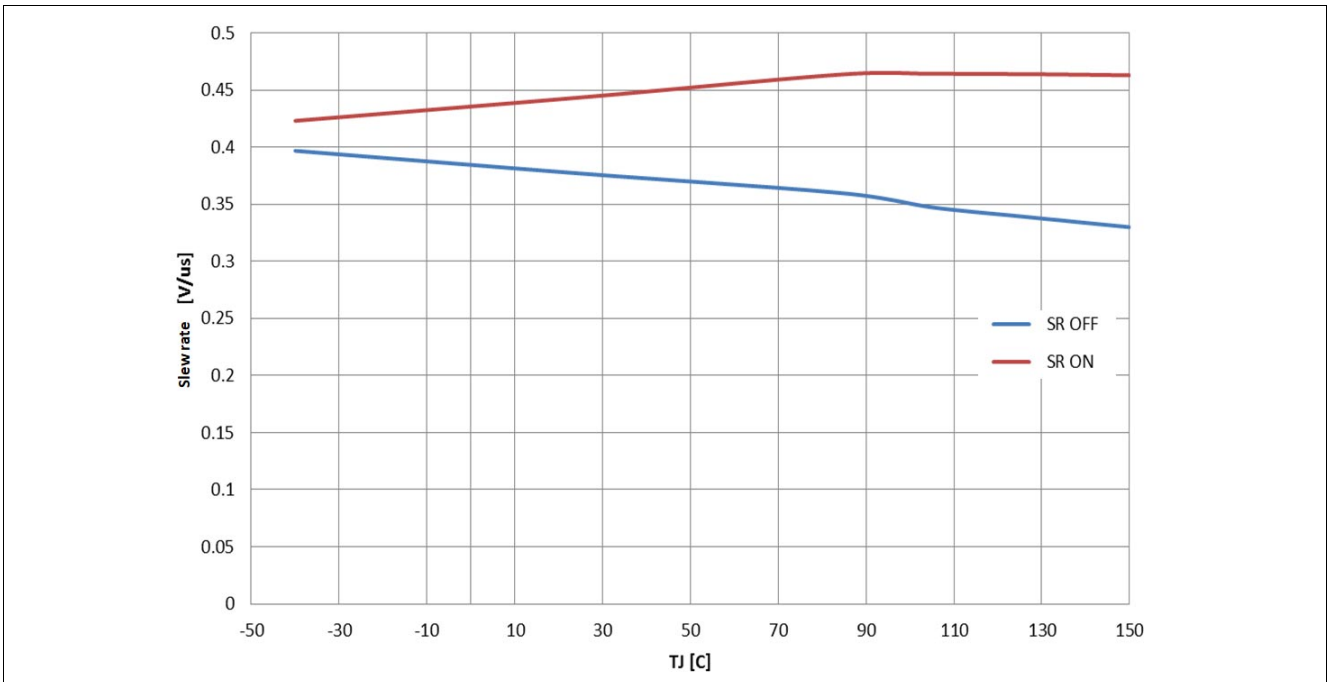


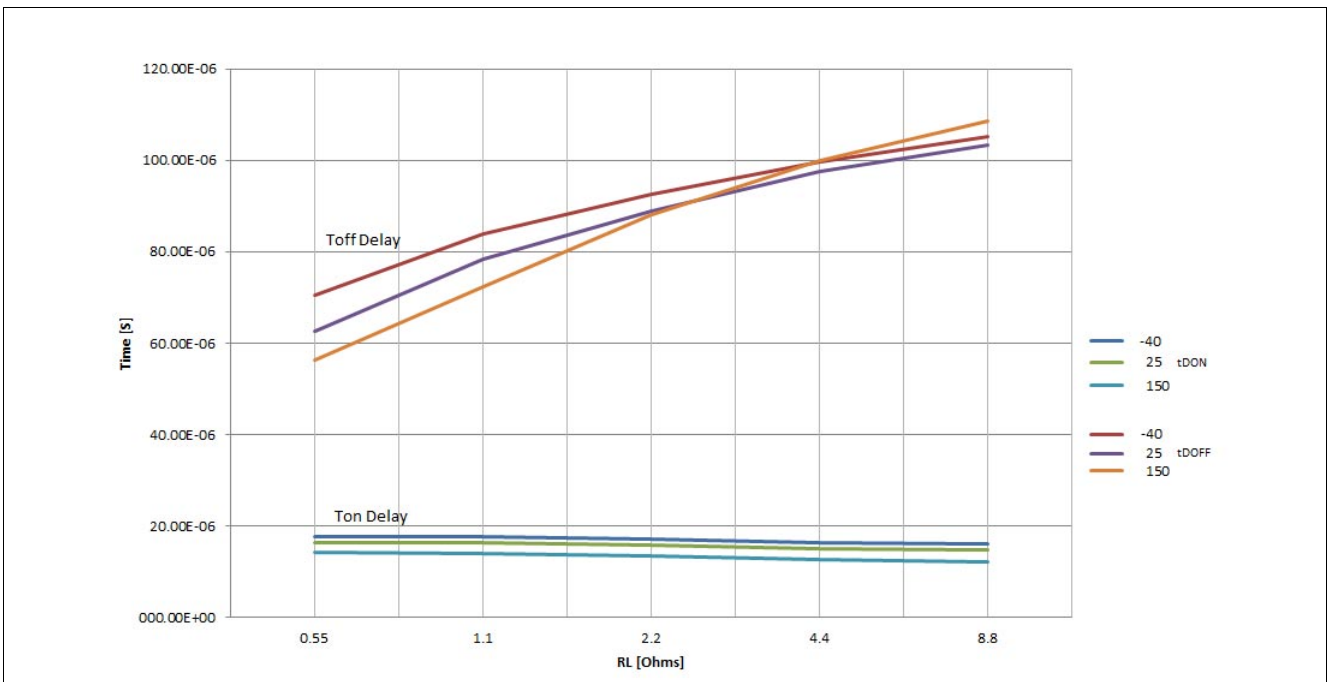
Figure 27 Typical fall time, rise time vs.  $T_j$  (-40..150°C) @  $V_{DD}=5\text{ V}$ ;  $V_{BAT}=13.5\text{ V}$



**Characterisation Results**

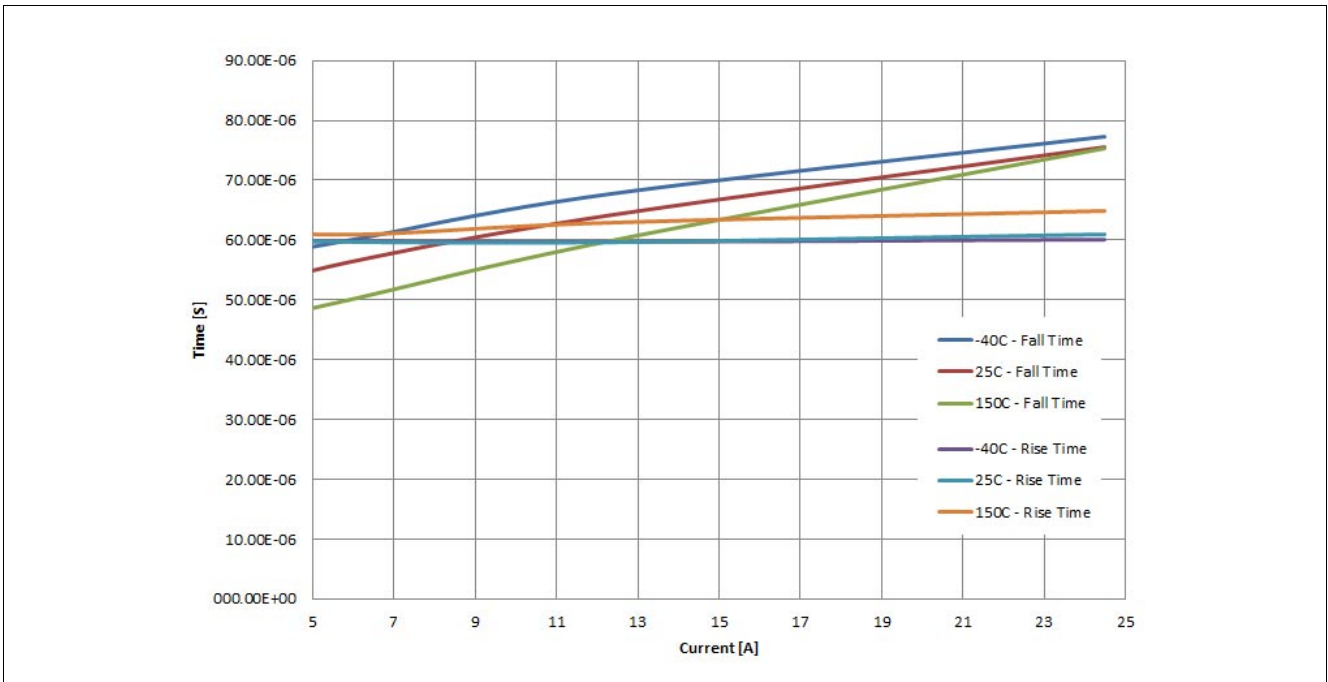


**Figure 28** Typical slew rate (ON&OFF) vs.  $T_j$  (-40..150°C) @  $V_{DD}=5\text{ V}$ ;  $V_{BAT}=13.5\text{ V}$

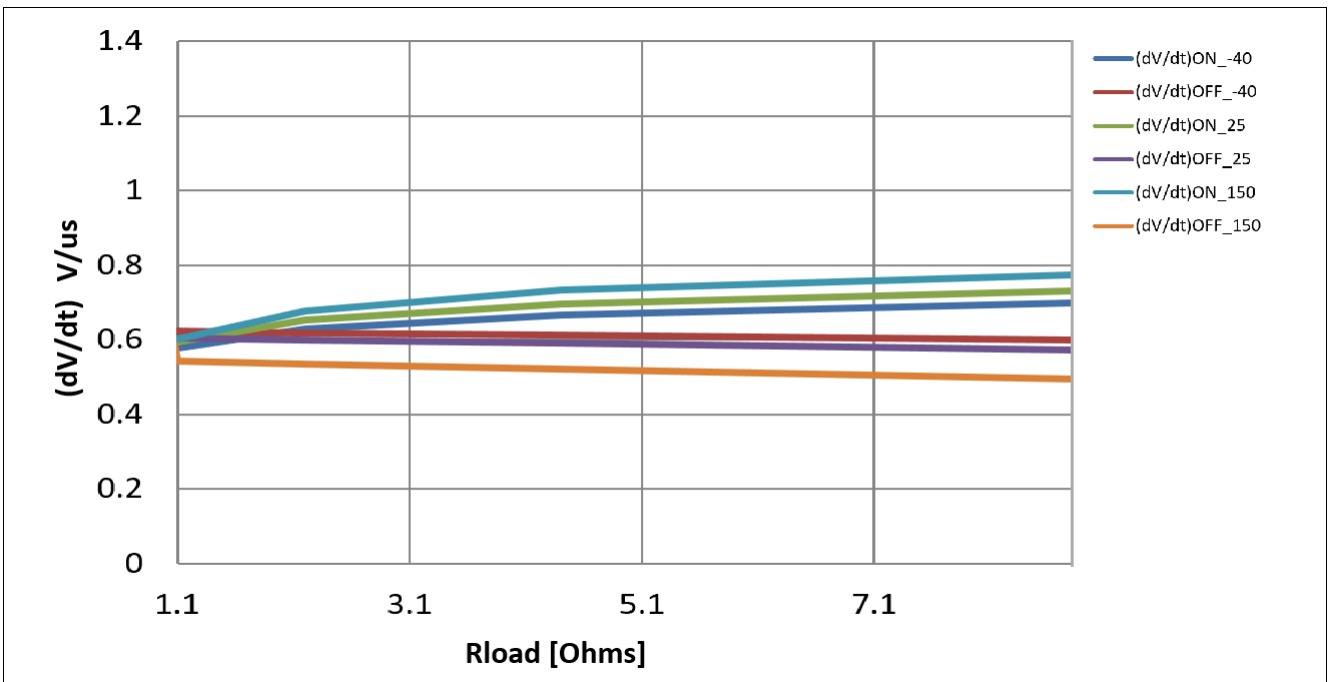


**Figure 29** Typical delay on time, delay off time vs.  $R_L$  @  $T_j$  (-40..150°C);  $V_{DD}=5\text{ V}$ ;  $V_{BAT}=13.5\text{ V}$

**Characterisation Results**

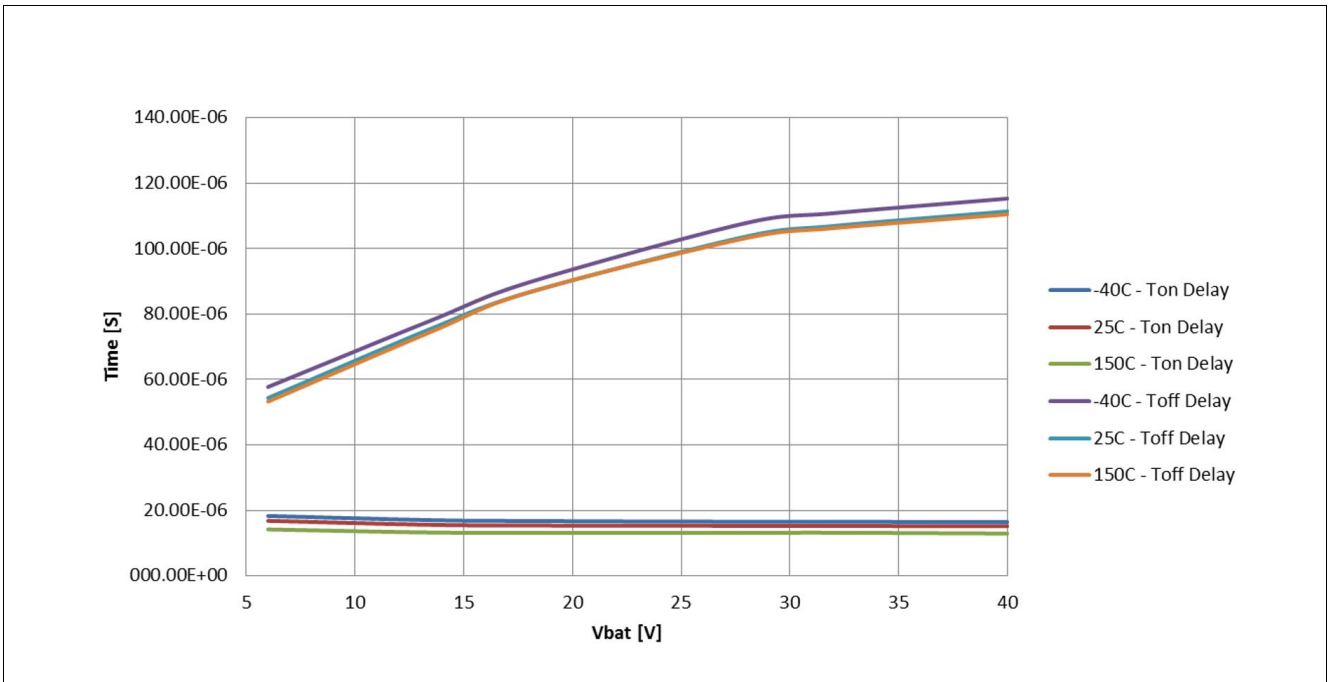


**Figure 30** Typical fall time, rise time vs.  $I_L$  ( $0.5A..I_{L(LIM\_MIN)}$ ) @  $T_J$  (-40, 25, 150°C);  $V_J=5 V$ ;  $V_{BAT}=13.5 V$

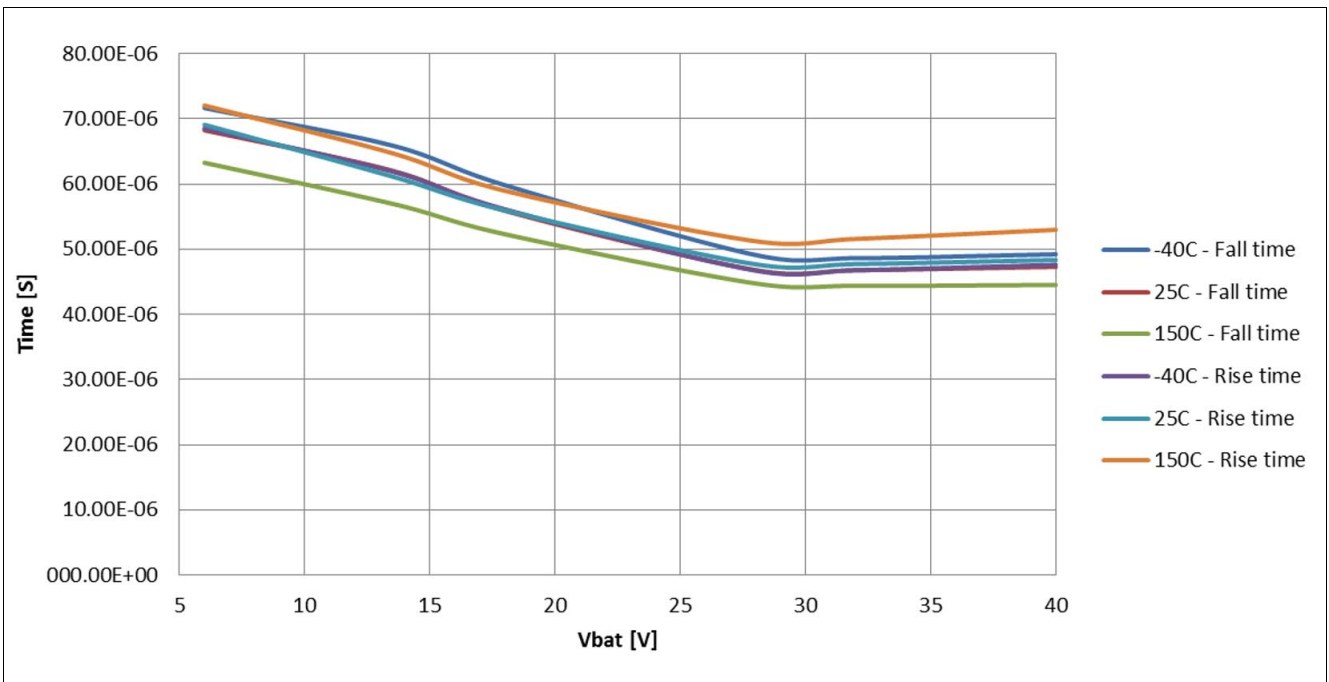


**Figure 31** Typical slew rate (ON&OFF) vs.  $R_L$  @  $T_J$  (-40, 25, 150°C);  $V_{DD}=5 V$ ;  $V_{BAT}=13.5 V$

**Characterisation Results**

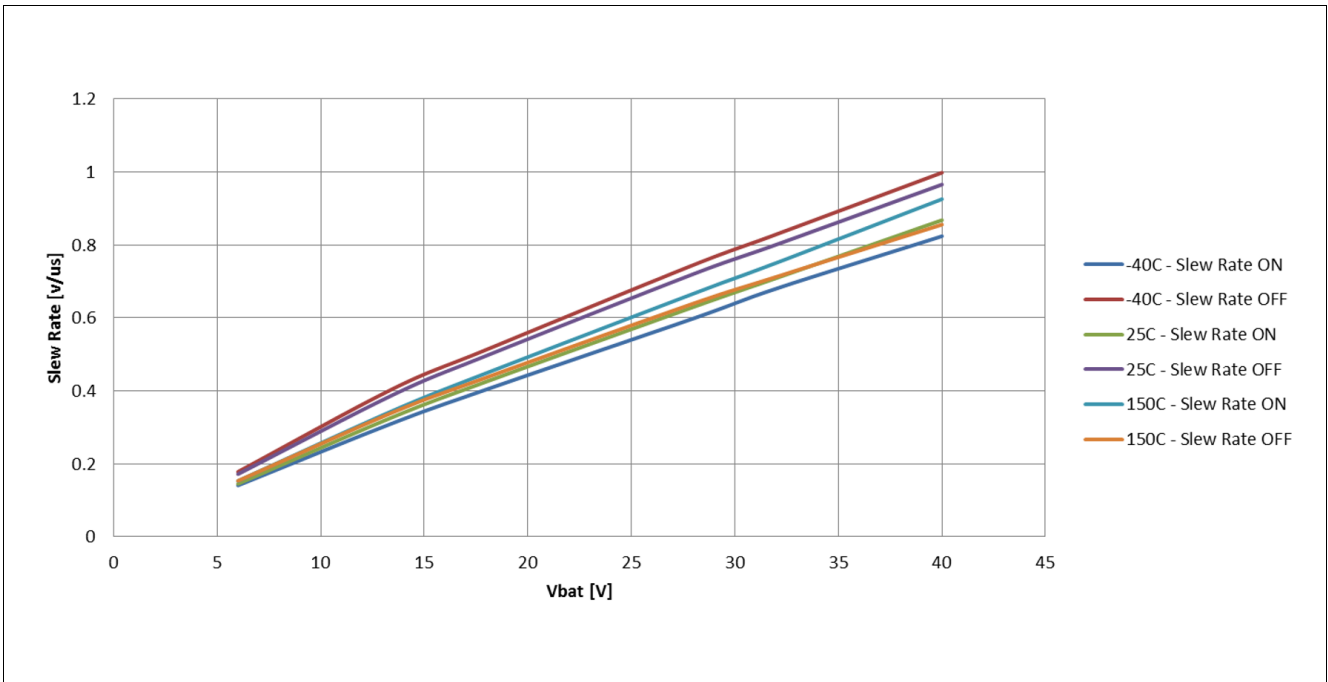


**Figure 32** Typical delay on time, delay off time vs.  $V_{BAT}$  (0..40V) @  $T_J$  (-40, 25, 150°C);  $V_{DD}=5V$ ;  $I_L=I_{L(NOM)}$



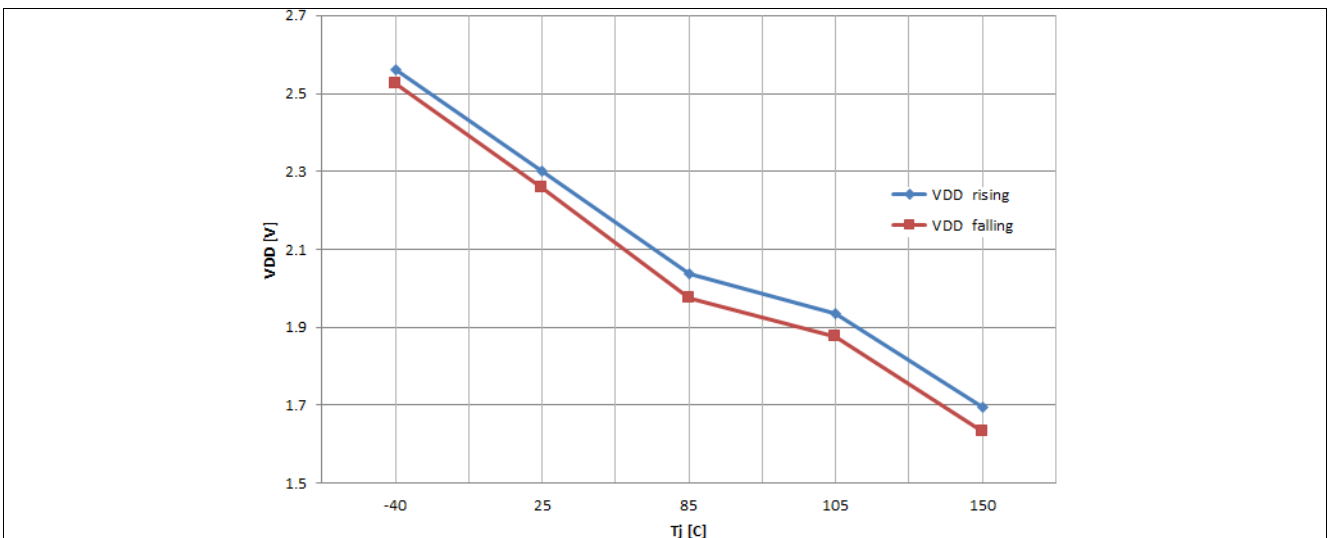
**Figure 33** Typical fall time, rise time vs.  $V_{BAT}$  (0..40V) @  $T_J$  (-40, 25, 150°C);  $V_{DD}=5V$ ;  $I_L=I_{L(NOM)}$

**Characterisation Results**



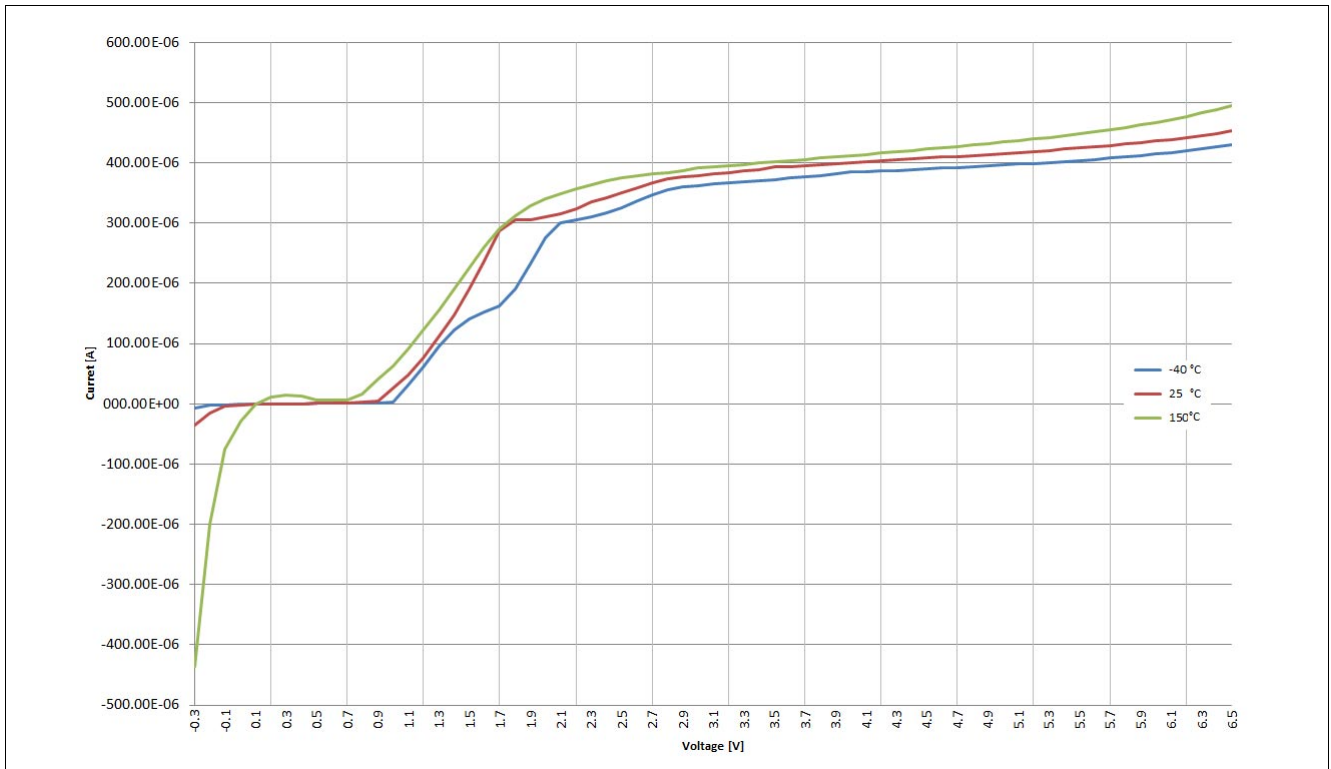
**Figure 34** Typical slew rate (ON&OFF) vs.  $V_{BAT}$  (0..40V) @  $T_J$  (-40, 25, 150°C);  $V_{DD}=5\text{ V}$ ;  $I_L=I_{L(NOM)}$

**10.3 Supply and Input Stage**

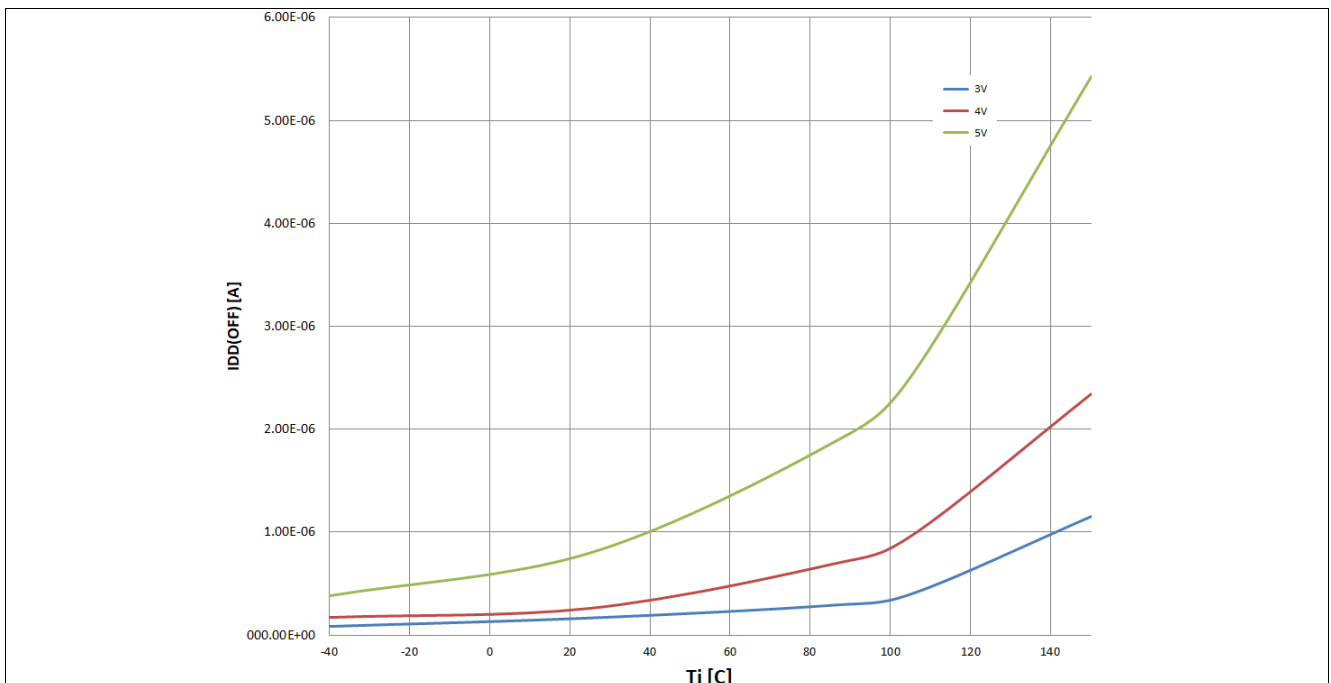


**Figure 35**  $V_{DD}(U_{V_{on}})$ ,  $V_{DD}(U_{V_{off}})$  vs.  $T_J$

**Characterisation Results**

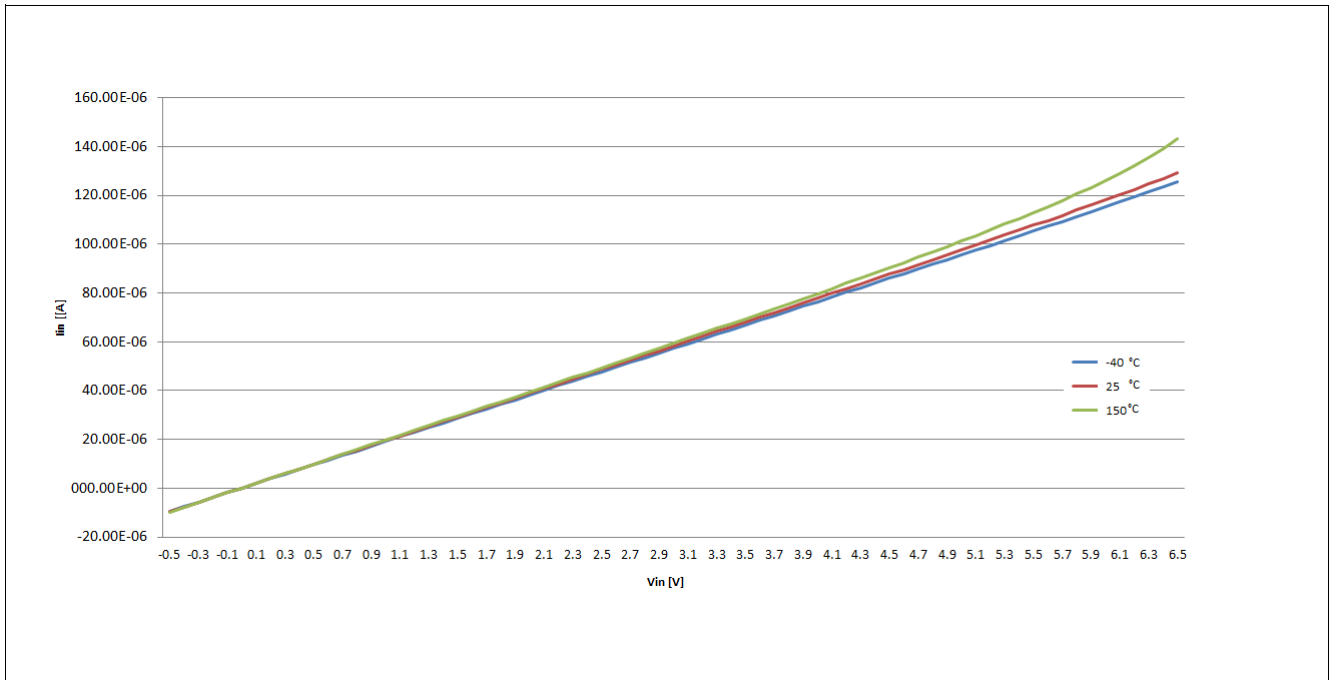


**Figure 36**  $I_{DD(on)}$  vs.  $V_{DD}$  @  $T_j = -40, 25, 150^\circ\text{C}$

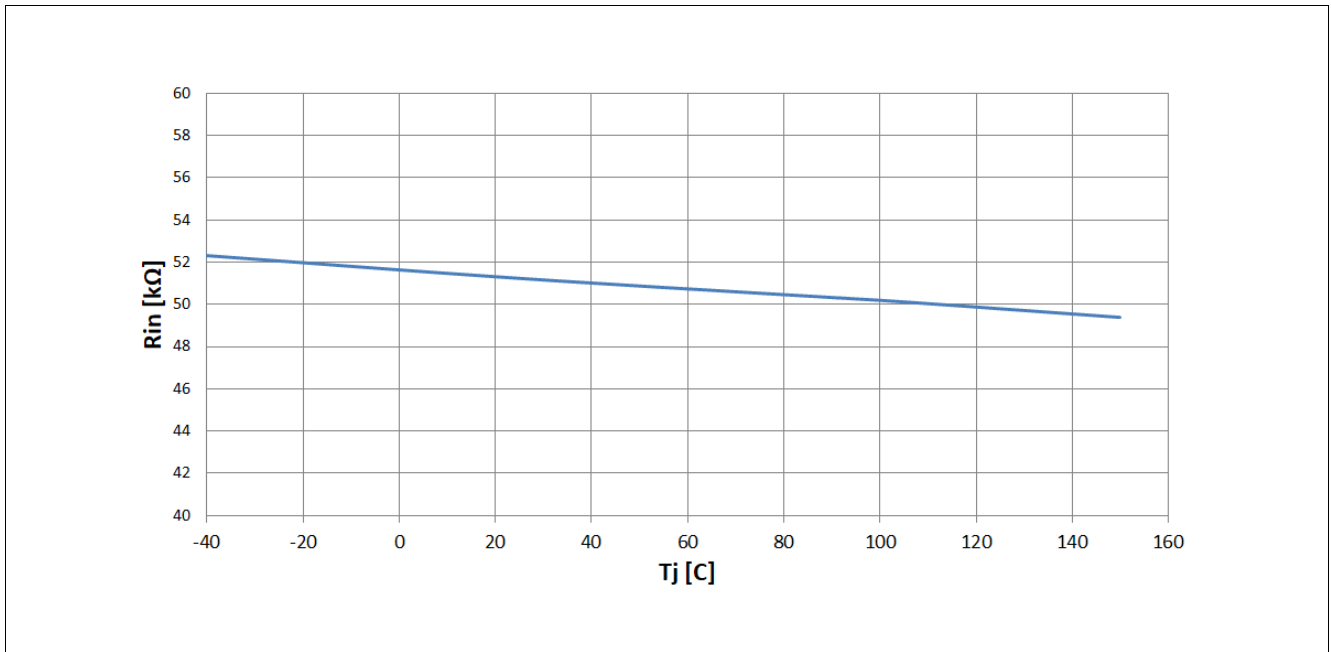


**Figure 37**  $I_{DD(off)}$  vs.  $T_j$  @  $V_{DD} = 3, 4, 5\text{ V}$

**Characterisation Results**

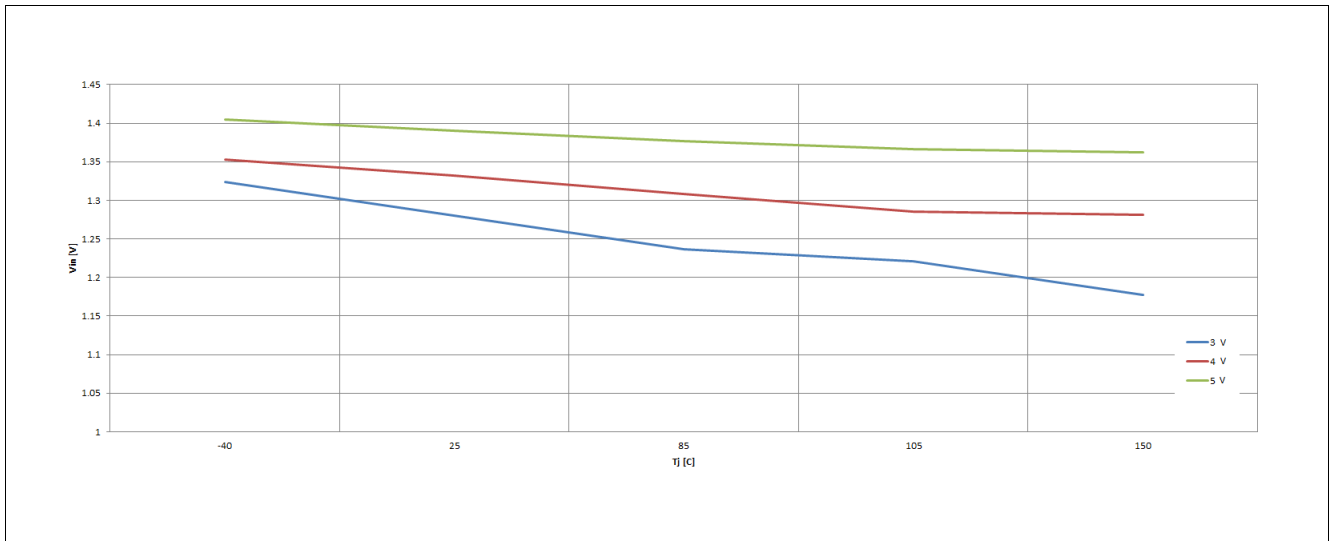


**Figure 38**  $I_{IN}$  vs.  $V_{in}$  @  $T_j = -40, 25, 150^\circ\text{C}$

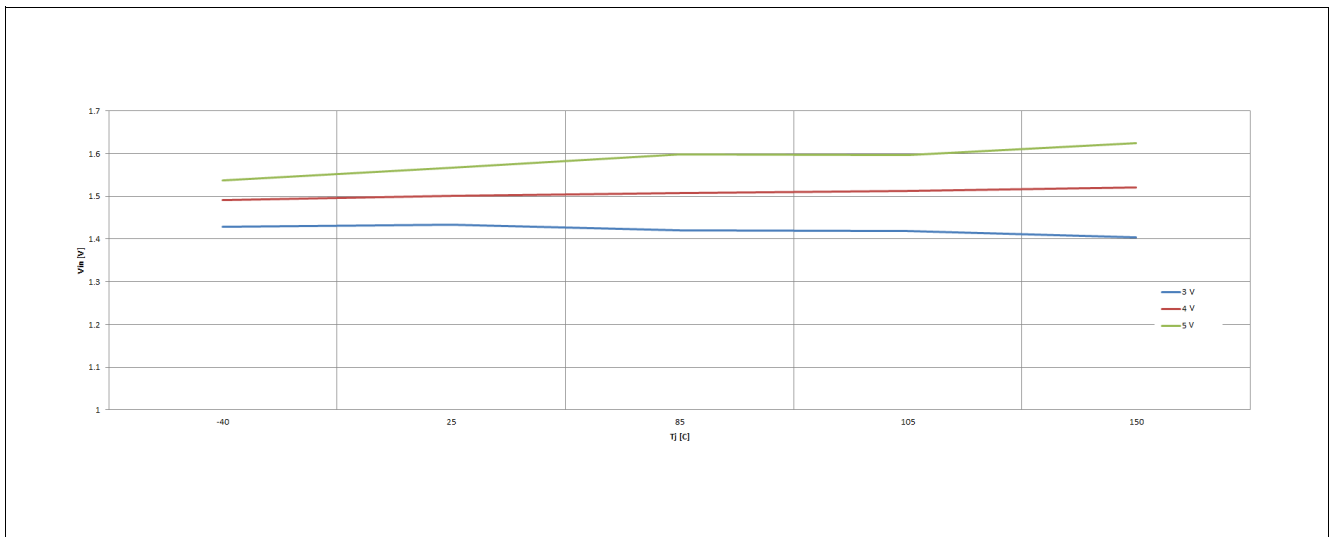


**Figure 39**  $R_{IN(GND)}$  vs.  $T_j$

**Characterisation Results**



**Figure 40**  $V_{IN(L)}$  vs.  $T_j$  @  $V_{DD} = 3, 4, 5 V$



**Figure 41**  $V_{IN(H)}$  vs.  $T_j$  @  $V_{DD} = 3, 4, 5 V$

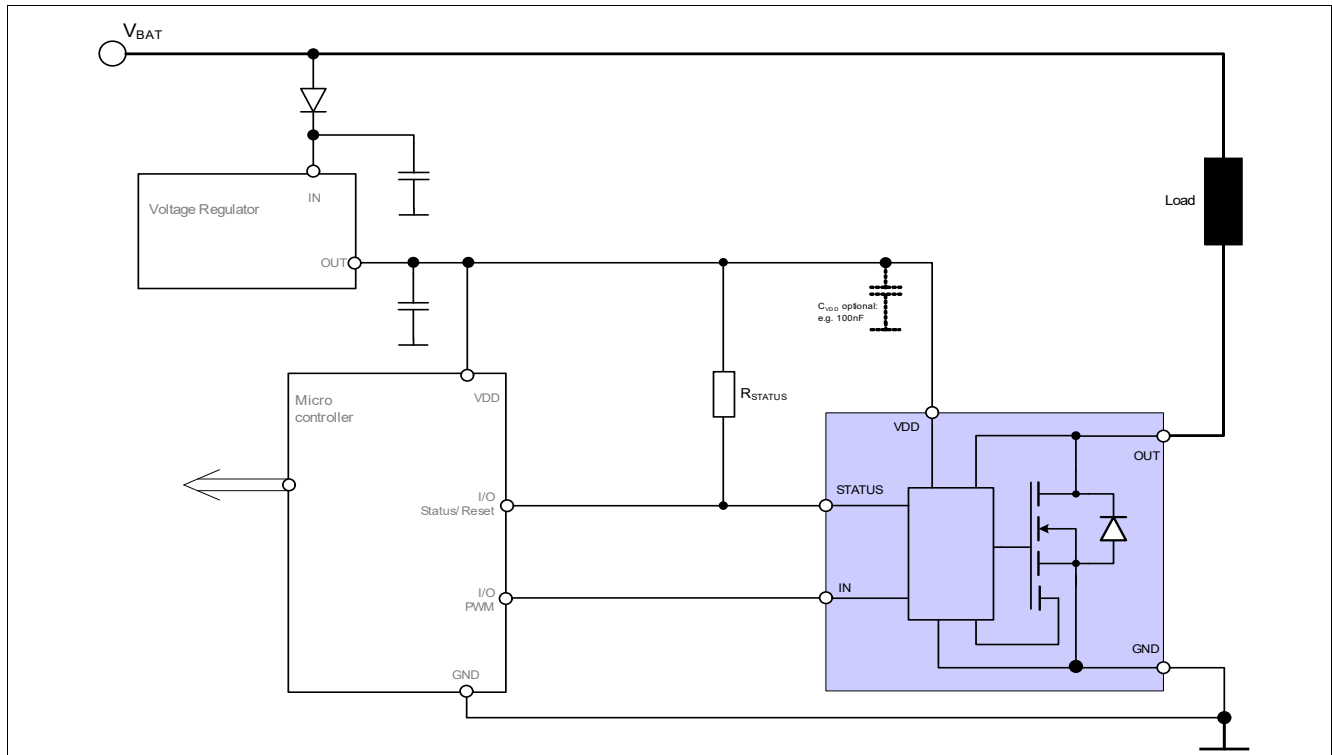
**Application Information**

**11 Application Information**

*Note: The following information is given as a hint for the implementation of the device only and shall not be regarded as a description or warranty of a certain functionality, condition or quality of the device.*

**Application Diagram**

An application example with the BTS3011TE is shown below.



**Figure 42 Simplified application diagram**

*Note: This is a very simplified example of an application circuit. The function must be verified in the real application.*

**Table 10 Recommended external components**

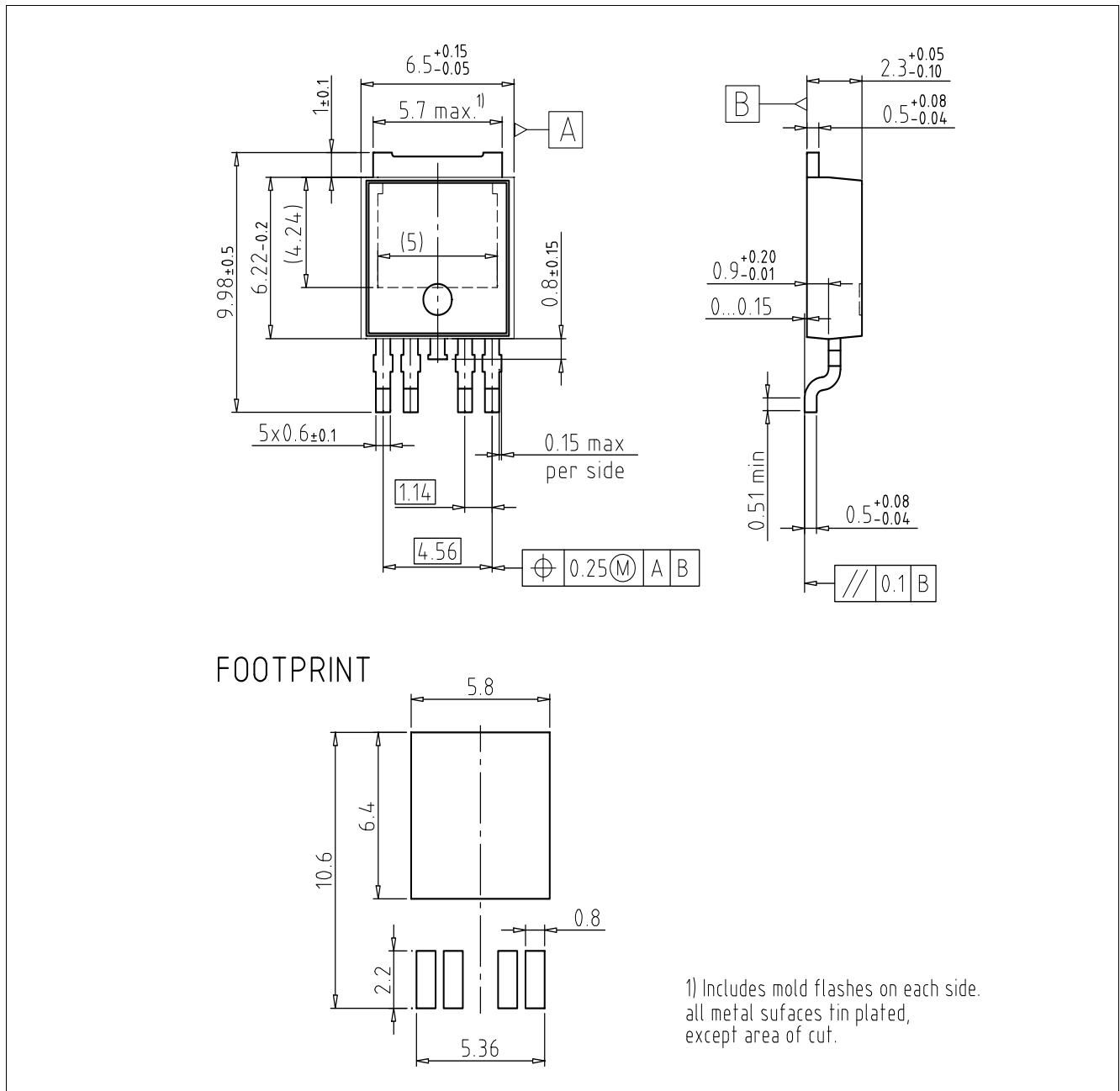
Reference	Value	Description
$R_{STATUS}$	10 k $\Omega$	Pull-up resistor for STATUS pin
$C_{VDD}$	100 nF	Supply pin capacitor for fast supply current transients

**11.1 Design and Layout Recommendations/Considerations**

As consequence of the fast switching times for high currents, special care has to be taken with the PCB layout. Stray inductances have to be minimized.



**12 Package Outlines BTS3011TE**



**Figure 43 PG-T0252-5**

Transistor Outline Package

**Green Product (RoHS compliant)**

To meet the world-wide customer requirements for environmentally friendly products and to be compliant with government regulations the device is available as a green product. Green products are RoHS-Compliant (i.e Pb-free finish on leads and suitable for Pb-free soldering according to IPC/JEDEC J-STD-020).

For further information on alternative packages, please visit our website:  
<http://www.infineon.com/packages>.

Dimensions in mm

**Revision History**

**13 Revision History**

<b>Revision</b>	<b>Date</b>	<b>Changes</b>
Rev. 1.0	2018-07-19	Datasheet released

## Trademarks

All referenced product or service names and trademarks are the property of their respective owners.

**Edition 2018-07-19**

**Published by**

**Infineon Technologies AG**

**81726 Munich, Germany**

**© 2018 Infineon Technologies AG.**

**All Rights Reserved.**

**Do you have a question about any aspect of this document?**

**Email: [erratum@infineon.com](mailto:erratum@infineon.com)**

**Document reference**

## IMPORTANT NOTICE

The information given in this document shall in no event be regarded as a guarantee of conditions or characteristics ("Beschaffenhheitsgarantie").

With respect to any examples, hints or any typical values stated herein and/or any information regarding the application of the product, Infineon Technologies hereby disclaims any and all warranties and liabilities of any kind, including without limitation warranties of non-infringement of intellectual property rights of any third party.

In addition, any information given in this document is subject to customer's compliance with its obligations stated in this document and any applicable legal requirements, norms and standards concerning customer's products and any use of the product of Infineon Technologies in customer's applications.

The data contained in this document is exclusively intended for technically trained staff. It is the responsibility of customer's technical departments to evaluate the suitability of the product for the intended application and the completeness of the product information given in this document with respect to such application.

For further information on technology, delivery terms and conditions and prices, please contact the nearest Infineon Technologies Office ([www.infineon.com](http://www.infineon.com)).

## WARNINGS

Due to technical requirements products may contain dangerous substances. For information on the types in question please contact your nearest Infineon Technologies office.

Except as otherwise explicitly approved by Infineon Technologies in a written document signed by authorized representatives of Infineon Technologies, Infineon Technologies' products may not be used in any applications where a failure of the product or any consequences of the use thereof can reasonably be expected to result in personal injury.

单击下面可查看定价，库存，交付和生命周期等信息

[>>Infineon Technologies\(英飞凌\)](#)