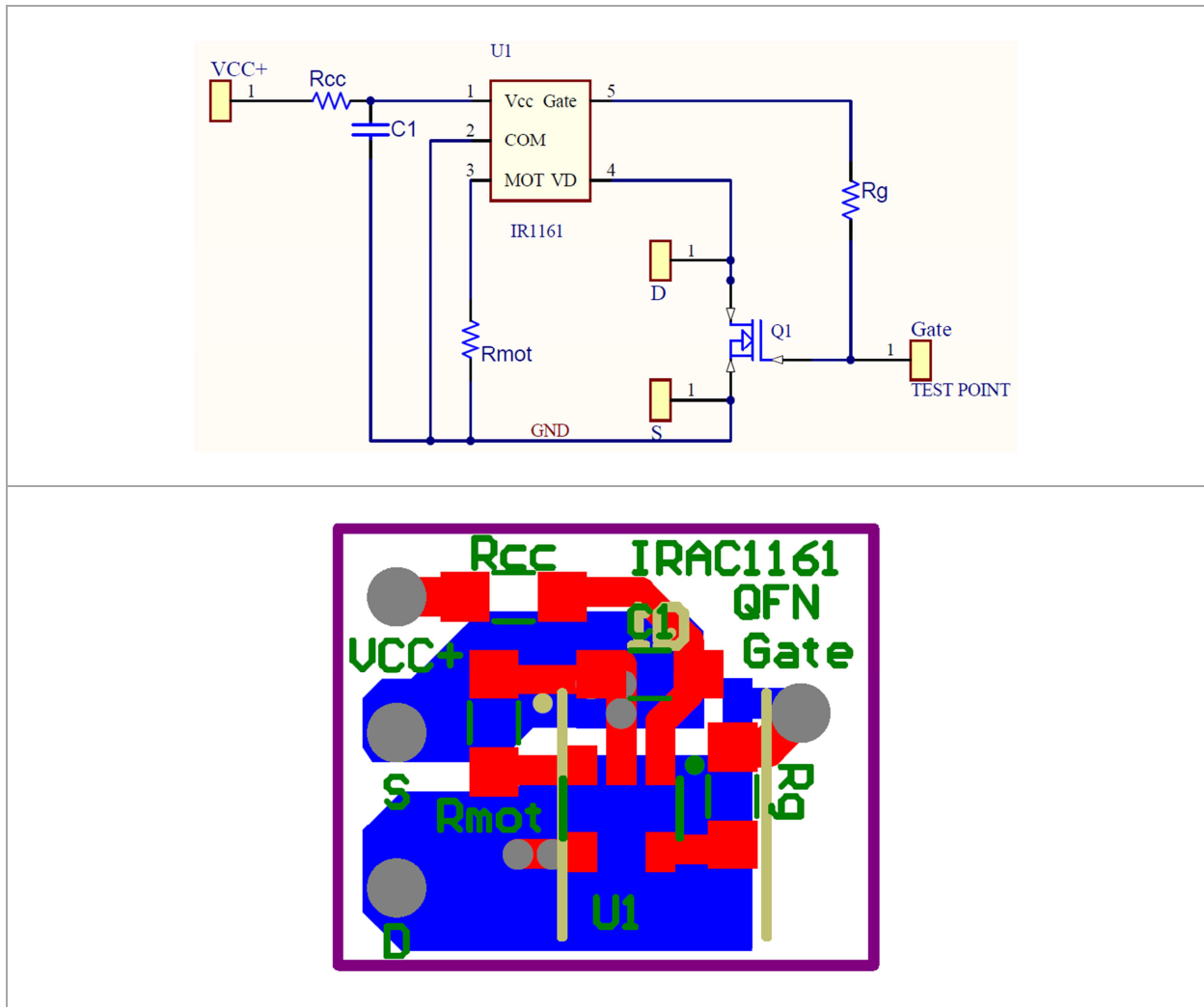


IR1161 QFN Daughter Card

IRAC1161-QFN

The schematic and PCB layout of the QFN daughter board are shown below



The daughter card shown above is designed to allow easy retrofit in existing systems with minimal system changes. The component values are recommended but user has freedom to change them per application requirement.

MOT \approx 1 μ s at 47k Ω Rmot. This resistor can be changed per application requirement.

Rcc	10 Ω
C1	1 μ F
RMOT	47k Ω
Rg	1 Ω
RVD	1 Ω
CVD	N/C
Q1	N/C

单击下面可查看定价，库存，交付和生命周期等信息

[>>Infineon Technologies\(英飞凌\)](#)