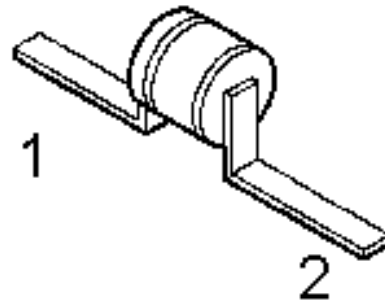
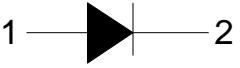


HiRel Silicon Schottky Diode

- **HiRel Discrete and Microwave Semiconductor**
- General-purpose diodes for high-speed switching
- Circuit protection
- Voltage clamping
- High-level detecting and mixing
- Hermetically sealed microwave package
-  **ESA Space Qualified**
 ESA/SCC Detail Spec. No.: 5512/020
 Type Variant No. 01



ESD: Electrostatic discharge sensitive device, observe handling precautions!

Type	Marking	Ordering Code	Pin Configuration	Package
BAS70-T1 (ql)	-	see below		T1

(ql) Quality Level: P: Professional Quality
 H: High Rel Quality
 S: Space Quality
 ES: ESA Space Quality

(see order instructions for ordering example)

Maximum Ratings

Parameter	Symbol	Values	Unit
Reverse Voltage	V_R	70	V
Forward Current	I_F	70	mA
Surge Forward Current ¹⁾	I_{FSM}	85	mA
Power Dissipation ²⁾	P_{tot}	250	mW
Operating Temperature Range	T_{op}	-55 to +150	°C
Storage Temperature Range	T_{stg}	-55 to +150	°C
Soldering Temperature ³⁾	T_{sol}	+250	°C
Junction Temperature	T_j	150	°C
Thermal Resistance Junction-Case	$R_{th(j-c)}$	100	K/W

Electrical Characteristics

 at $T_A=25^\circ\text{C}$; unless otherwise specified

Parameter	Symbol	Values			Unit
		min.	typ.	max.	

DC Characteristics

Reverse Current 1, $V_R=70\text{V}$	I_{R1}	-	-	2	μA
Reverse Current 2, $V_R=56\text{V}$	I_{R2}	-	-	0,1	μA
Forward Voltage 1, $I_{F1}=1\text{mA}$	V_{F1}	0,30	0,38	0,44	V
Forward Voltage 2, $I_{F2}=10\text{mA}$	V_{F2}	0,60	0,70	0,78	V
Forward Voltage 3, $I_{F3}=15\text{mA}$	V_{F3}	0,80	0,85	1,00	V
Differential Forward Resistance ⁴⁾ $I_{F2}=10\text{mA}$, $I_{F3}=15\text{mA}$	R_{FD}	24	30	32	Ω

AC Characteristics

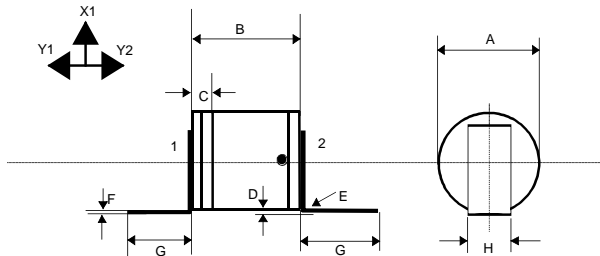
Total Capacitance $V_R=0\text{V}$; $f=1\text{MHz}$	C_T	1,2	1,5	2	pF
--	-------	-----	-----	---	----

Notes.:

- 1.) $t \leq 10\text{ms}$, Duty Cycle=10%
- 2.) At $T_{CASE} = 125^\circ\text{C}$. For $T_{CASE} > 125^\circ\text{C}$ derating is required.
- 3.) During 5 sec. maximum. The same terminal shall not be resoldered until 3 minutes have elapsed.

4.)
$$R_{FD} = \frac{\Delta V_F}{5 \times 10^{-3} \text{ A}}$$

T1 Package



Symbol	Millimetre	
	min	max
A	1,30	1,45
B	1,15	1,35
C	-	0,40
D	0,10	0,50
E	-	0,30
F	0,06	0,10
G	5,50	-
H	0,40	0,60

Edition 2011-02

Published by

Infineon Technologies AG

85579 Neubiberg, Germany

© Infineon Technologies AG 2011

All Rights Reserved.

Attention please!

The information given in this document shall in no event be regarded as a guarantee of conditions or characteristics ("Beschaffenheitsgarantie"). With respect to any examples or hints given herein, any typical values stated herein and/or any information regarding the application of the device, Infineon Technologies hereby disclaims any and all warranties and liabilities of any kind, including without limitation warranties of non-infringement of intellectual property rights of a third party.

Information

For further information on technology, delivery terms and conditions and prices please contact your nearest Infineon Technologies Office (www.infineon.com).

Warnings

Due to technical requirements components may contain dangerous substances. For information on the types in question please contact your nearest Infineon Technologies Office.

Infineon Technologies Components may only be used in life-support devices or systems with the express written approval of Infineon Technologies, if a failure of such components can reasonably be expected to cause the failure of that life-support device or system, or to affect the safety or effectiveness of that device or system.

Life support devices or systems are intended to be implanted in the human body, or to support and/or maintain and sustain and/or protect human life. If they fail, it is reasonable to assume that the health of the user or other persons may be endangered.

单击下面可查看定价，库存，交付和生命周期等信息

[>>Infineon Technologies\(英飞凌\)](#)