

I 应达利电子股份有限公司

INTERQUIP ELECTRONICS (SHENZHEN) CO., LTD.

3-4/F Block A, 1-3/F Block D, No.2 Tengfeng Road, Fenghuang Community, Fuyong Town, Baoan District, Shenzhen, China

Tel:+86-755-33251781. Fax:+86-755-29128486. Postal code:518103

Web:www.interquip.com Email: iqlsales@interquip-chinasz.com

Customer Approval Sheets

Product: Crystal Resonator
 Description: SMCE2016 4pads
 IQG P/N: 5NAA25000101KF80Q2 VER: 0.1
 Ref No:
 Customer P/N:

Approval Section:			
Date:			
Customer:			Attn:
DEPT.	DEPT.	DEPT.	DEPT.

Prepared by:	Checked by:	Approved by:



RoHS

IQL has been certified for the above management systems.

Not suitable for ultrasonic welding. ultrasonic welding to other specifications



Specification

PART NO 5NAA25000101KF80Q2

1. Scope:

- 1.1 This specification applies to the RoHS compliance quartz crystal unit with a frequency of 25MHz which will be used in crystal oscillator applications.

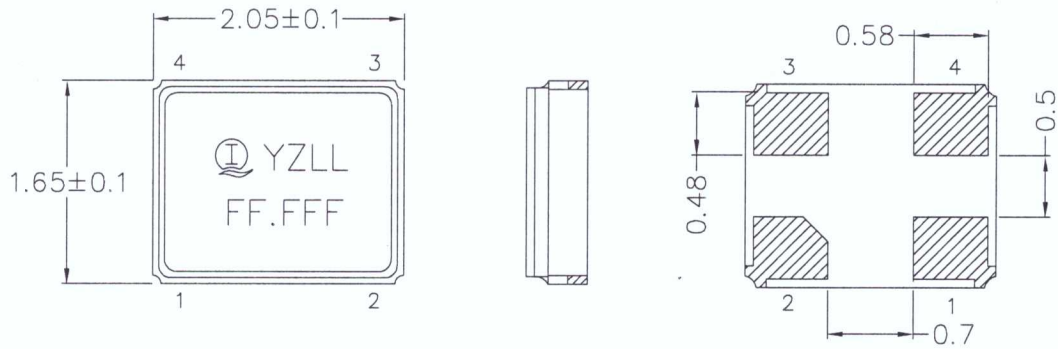
2. Construction:

- 2.1 Type of Quartz Resonator: SMCE2016 4pads

3. Electrical Characteristics

- | | | |
|---|---|----|
| 3.1 Nominal Frequency(f): | 25,000,000 | Hz |
| 3.2 Load Capacitance(C_L): | 10pF | |
| 3.3 Frequency Tolerance($\Delta f/f$): | ± 10 ppm | |
| 3.4 Frequency Temperature Stability: | ± 20 ppm | |
| 3.5 Resonance Resistance(ohm): | 80ohms Max | |
| 3.6 Osc mode: | Fundamental mode | |
| 3.7 Shunt Capacitance(C_0): | <2pF | |
| 3.8 Drive Level(D_L): | < 50 μ W | |
| 3.9 Operating Temperature Range(T_{OPR}): | -20 to + 70°C | |
| 3.10 Storage Temperature Range(T_{STG}): | -55 to + 125°C | |
| 3.11 Insulation Resistance(IR): | >500 M ohms | |
| 3.12 Aging(Δf_A): | ± 3 ppm per Year | |
| 3.13 Marking: | Q+DateCode+LotCode+25.000 | |
| 3.14 OTHERS: | Not recommended for safety applications | |

EXTERNAL DIMENSIONS



*1; Chamfer is either on Pin 2 or Pin4

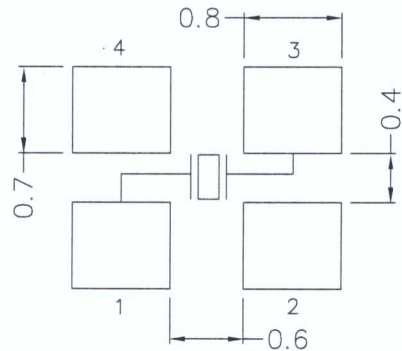
MARKING SPECIFICATIONS

Ⓡ — INTERQUIP COMPANY'S LOGO
 FF.FFF — REPRESENT FREQUENCY (MHz)
 Y — REPRESENT MONTH
 " Y " :

MONTH	Jan	Feb	Mar	Apr.	May	Jun	Jul	Aug	Sep	Oct	Nov	Dec
MARK	A	B	C	D	E	F	G	H	J	K	L	M

Z — REPRESENT THE LAST DIGIT OF THE YEAR
 LL — REPRESENT LOT CODE

RECOMMENDED SOLDERING PATTERN



2. DO NOT SCALE DRAWING

NOTES: 1. ALL DIMENSIONS ARE IN mm



Interquip Electronics Co., Ltd

REV.9	2021.5.20	Additional chamfer position description	LZ Liu	TITLE	SMD RESONATOR	DWN.	LZ Liu
REV.8	2020.5.26	Update Tolerance	XJ Li	PART NO.		DATE	2021.05.20
REV.7	2018.10.29	Update Marking Description	XJ Li	MODEL	SMCE-2016-4pads	CHKD	LH Wang <i>[Signature]</i>
REV.5	2017.3.2	Change Marking Model	GY Wu	REMARK		DATE	2021.05.20 <i>[Signature]</i>
REV.3	2016.6.2	Change Thinkness	GY Wu			APPD.	WW Tang <i>[Signature]</i>
						DATE	2021.05.20 <i>[Signature]</i>
	DATE	MODIFY DESCRIPTION	BY			DWG.NO.	004-061Q7-000
						REV.	9

单击下面可查看定价，库存，交付和生命周期等信息

[>>Interquip](#)