



MOC3020 / MOC3021 / MOC3022 / MOC3023

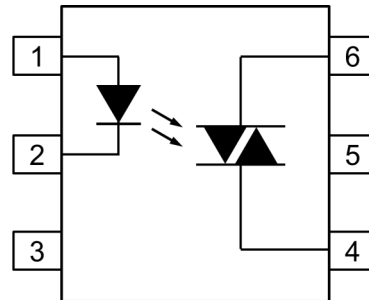


DESCRIPTION

The MOC3020, MOC3021, MOC3022 and MOC3023 are optically coupled isolators consisting of a Gallium Arsenide infrared emitting diode coupled with a light activated silicon bilateral switch performing the functions of a triac.

These photocouplers provide random phase control of high current triacs or thyristors. They feature greatly enhanced static dv/dt capability to ensure stable switching performance of inductive loads.

These devices are mounted in a standard 6 pin dual-in-line package.



- 1 Anode
- 2 Cathode
- 3 NC
- 4 Main Terminal
- 5 Substrate
(Do not Connect)
- 6 Main Terminal

FEATURES

- High Repetitive Peak Off-state Voltage
 V_{DRM} : minimum 400V
- High Critical Rate of Rise of Off-state Voltage
 dv/dt : minimum 1000V/ μ s)
- High Isolation Voltage between Input and Output
Viso : 5000Vrms
- Lead Free and RoHS Compliant
- UL Approval Certificate E91231
Package Code "KK"
- VDE Approval Certificate 40028086

APPLICATIONS

- AC Motor Drives / Starters
- Static AC Power Switch
- Lighting Controls
- Solid State Relays
- Solenoid / Valve Controls
- Temperature Controls

ORDER INFORMATION

- Add G after PN for 10mm lead spacing
- Add SM after PN for Surface Mount
- Add SMT&R after PN for Surface Mount
Tape & Reel

ABSOLUTE MAXIMUM RATINGS ($T_A = 25^\circ\text{C}$)

Stresses exceeding the absolute maximum ratings can cause permanent damage to the device. Exposure to absolute maximum ratings for long periods of time can adversely affect reliability.

Input

Forward Current	50mA
Reverse Voltage	6V
Power dissipation	100mW
Junction Temperature	125°C

Output

Off State Output Terminal Voltage	400V
Peak Repetitive Surge Current (Pulse width = 1ms, 120pps)	1A
Power Dissipation	300mW
Junction Temperature	125°C

Total Package

Isolation Voltage	5000V _{RMS}
Total Power Dissipation	330mW
Operating Temperature	-40 to 110°C
Storage Temperature	-55 to 150 °C
Lead Soldering Temperature (10s)	260°C

ISOCOM COMPONENTS 2004 LTD

Unit 25B, Park View Road West, Park View Industrial Estate
Hartlepool, Cleveland, TS25 1PE, United Kingdom
Tel : +44 (0)1429 863 609 Fax : +44 (0)1429 863 581
e-mail : sales@isocom.co.uk
<http://www.isocom.com>

ISOCOM COMPONENTS ASIA LTD

Hong Kong Office
Block A, 8/F, Wah Hing Industrial Mansions
36 Tai Yau Street, San Po Kong, Kowloon, Hong Kong
Tel : +852 2995 9217 Fax : +852 8161 6292
e-mail : sales@isocom.com.hk



Recommended Operating Conditions

Parameter	Symbol	Min	Typ	Max	Unit
Supply Voltage	V_{AC}			120	V_{AC}
Forward Current					mA
MOC3020	I_F	30	40	50	
MOC3021		22.5	25	30	
MOC3022		15	20	30	
MOC3023		7.5	10	30	
Operating Temperature	T_A	-25		85	$^{\circ}C$

NOTE :

Recommended operating conditions are given as a design guideline to obtain expected performance of the device.

Each item is an independent guideline.

Please also refer to specified characteristics in this document.



MOC3020 / MOC3021 / MOC3022 / MOC3023

ELECTRICAL CHARACTERISTICS ($T_A = 25^\circ\text{C}$ unless otherwise specified)

INPUT

Parameter	Symbol	Test Condition	Min	Typ.	Max	Unit
Forward Voltage	V_F	$I_F = 20\text{mA}$		1.15	1.4	V
Reverse Current	I_R	$V_R = 6\text{V}$		0.05	10	μA

OUTPUT

Parameter	Symbol	Test Condition	Min	Typ.	Max	Unit
Peak Off-state Current Either Direction	I_{DRM}	$V_{\text{DRM}} = 400\text{V}$ $I_F = 0\text{mA}$ Note 1		10	100	nA
On-State Voltage Either Direction	V_{TM}	$I_{\text{TM}} = 100\text{mA (Peak)}$			3.0	V
Critical Rate of Rise of Off-State Voltage	dv/dt	$I_F = 0\text{mA}$ $V_{\text{IN}} = 240\text{V}_{\text{RMS}}$	1000			V/ μs

COUPLED

Parameter	Symbol	Test Condition	Min	Typ.	Max	Unit
Input Trigger Current Either Direction	I_{FT}	Main Terminal Voltage = 3V Note 2 MOC3020 MOC3021 MOC3022 MOC3023			30 15 10 5	mA
Holding Current Either Direction	I_{H}			200		μA

ISOLATION

Parameter	Symbol	Test Condition	Min	Typ.	Max	Unit
Insulation Voltage	V_{ISO}	AC 1 minute, RH 40 to 60%	5000			V_{RMS}

Measured with input leads shorted together and output leads shorted together.

Note 1 : Test Voltage must be applied within static dv/dt rating.

Note 2 : Guaranteed to trigger at an I_F value less than or equal to max I_{FT} ,
Recommended I_F lies between Rated I_{FT} to Absolute Max I_F .

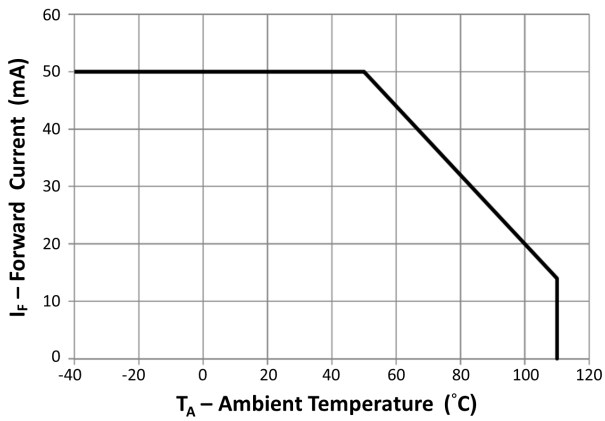


Fig 1 Forward Current vs Ambient Temperature

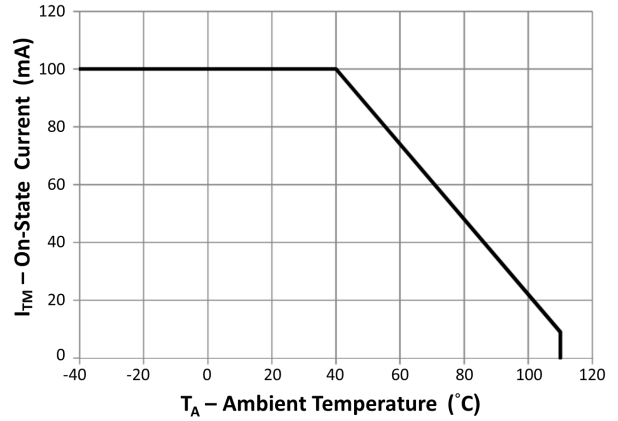


Fig 2 On-State Current vs Ambient Temperature

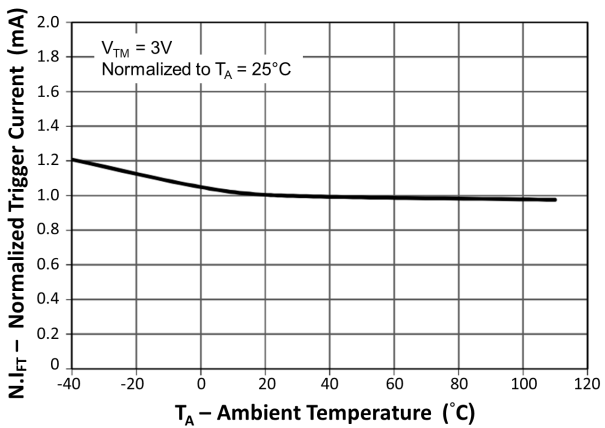


Fig 3 Normalized Trigger Current vs Ambient Temperature

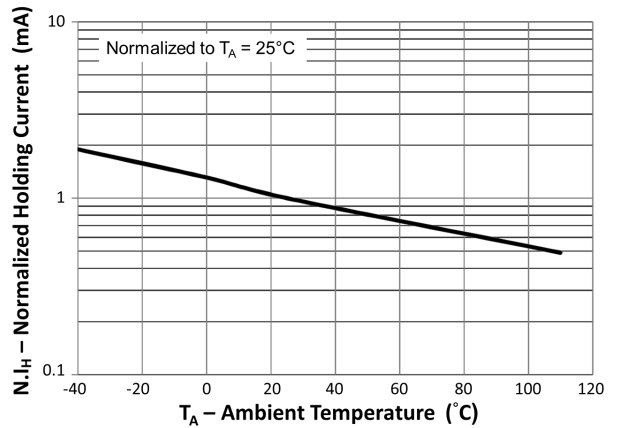


Fig 4 Normalized Holding Current vs Ambient Temperature

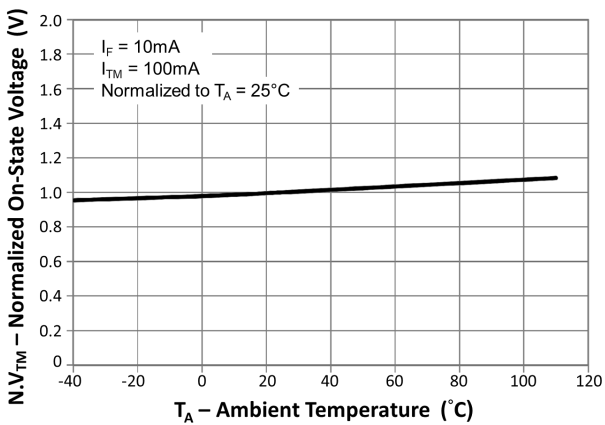


Fig 5 Normalized On-State Voltage vs Ambient Temperature

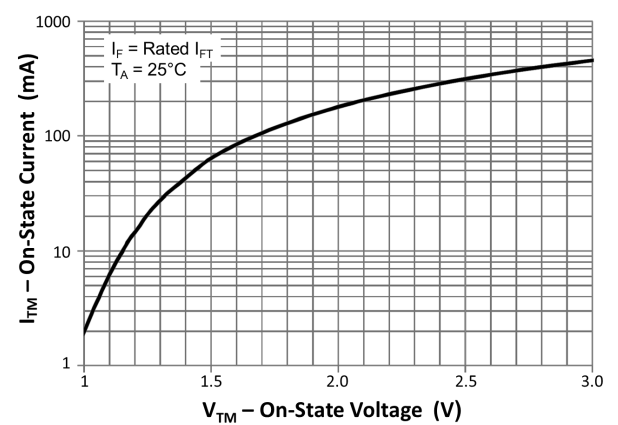


Fig 6 On-State Current vs On-State Voltage

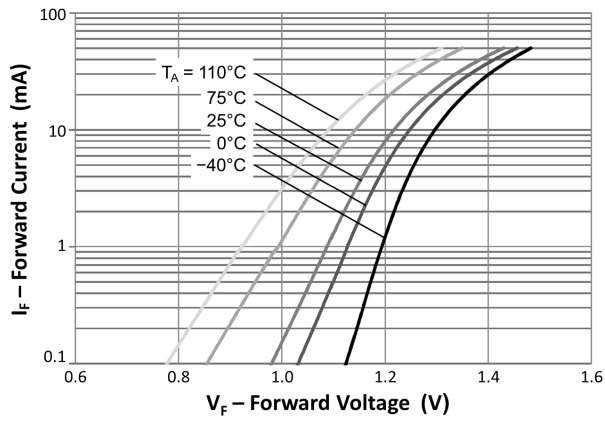


Fig 7 Forward Current vs Forward Voltage

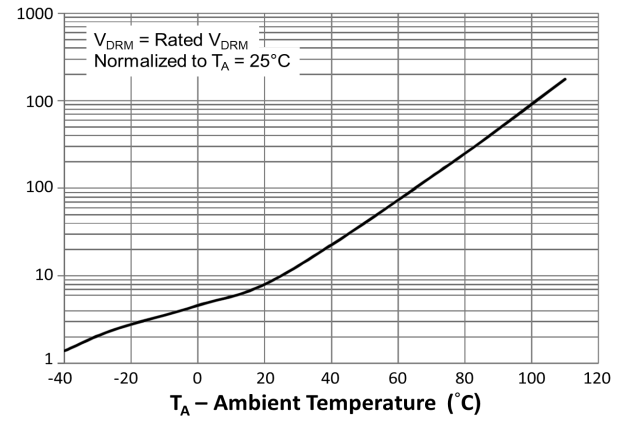


Fig 8 Normalized Peak Off-State Current vs Ambient Temperature



MOC3020 / MOC3021 / MOC3022 / MOC3023

ORDER INFORMATION

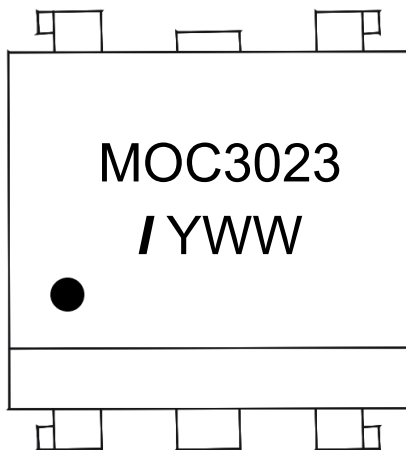
MOC3020 / MOC3021 / MOC3022 / MOC3023 (UL Approval)			
After PN	PN	Description	Packing quantity
None	MOC3020, MOC3021 MOC3022, MOC3023	Standard DIP6	65 pcs per tube
G	MOC3020G, MOC3021G MOC3022G, MOC3023G	10mm Lead Spacing	65 pcs per tube
SM	MOC3020SM, MOC3021SM MOC3022SM, MOC3023SM	Surface Mount	65 pcs per tube
SMT&R	MOC3020SMT&R MOC3021SMT&R MOC3022SMT&R MOC3023SMT&R	Surface Mount Tape & Reel	1000 pcs per reel

MOC3020 / MOC3021 / MOC3022 / MOC3023 (UL and VDE Approvals)			
After PN	PN	Description	Packing quantity
None	MOC3020X, MOC3021X MOC3022X, MOC3023X	Standard DIP6	65 pcs per tube
G	MOC3020XG, MOC3021XG MOC3022XG, MOC3023XG	10mm Lead Spacing	65 pcs per tube
SM	MOC3020XSM, MOC3021XSM MOC3022XSM, MOC3023XSM	Surface Mount	65 pcs per tube
SMT&R	MOC3020XSMT&R MOC3021XSMT&R MOC3022XSMT&R MOC3023XSMT&R	Surface Mount Tape & Reel	1000 pcs per reel

ORDER INFORMATION

DEVICE MARKING

Example : MOC3023



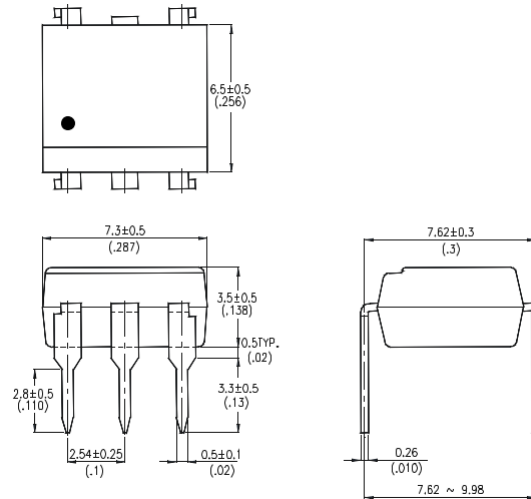
MOC3023 denotes Device Part Number
/ denotes Isocom
Y denotes 1 digit Year code
WW denotes 2 digit Week code



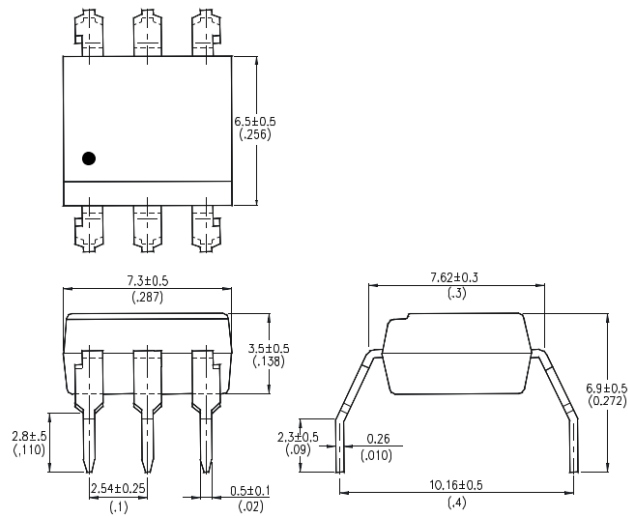
MOC3020 / MOC3021 / MOC3022 / MOC3023

PACKAGE DIMENSIONS in mm (inch)

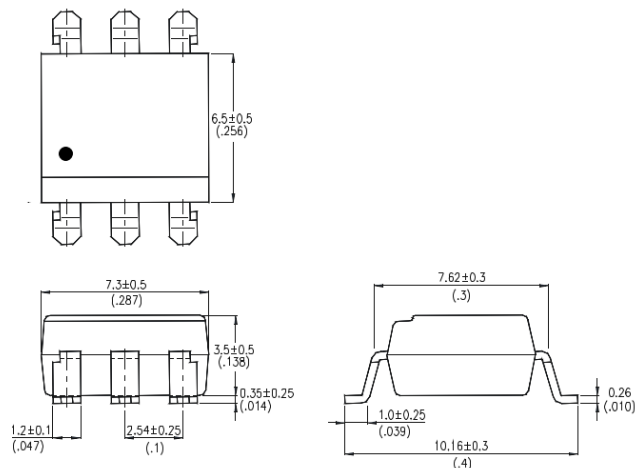
DIP



G Form

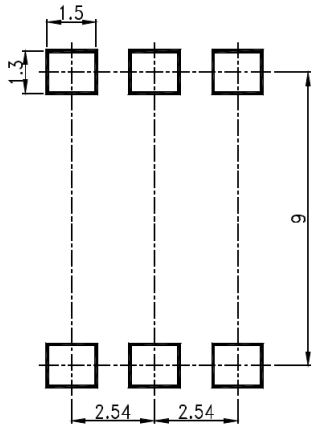


SMD

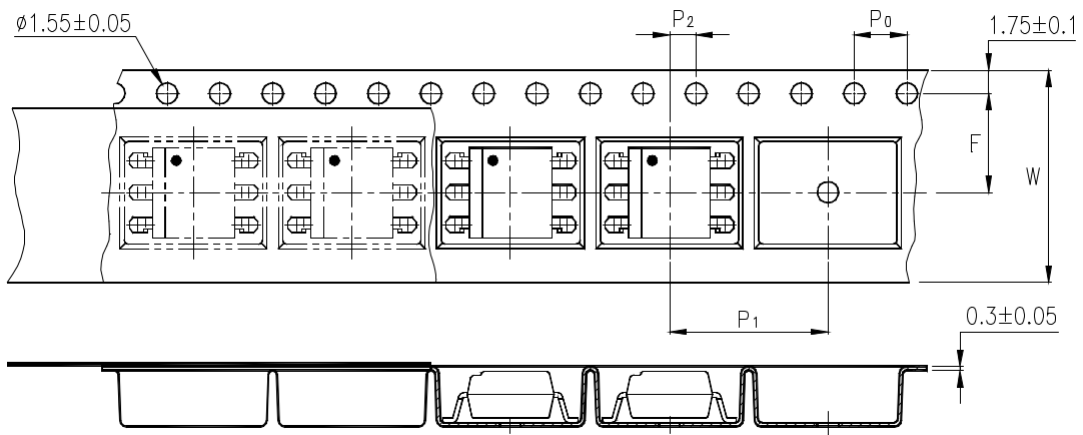




RECOMMENDED PAD LAYOUT FOR SMD (mm)



TAPE AND REEL PACKAGING

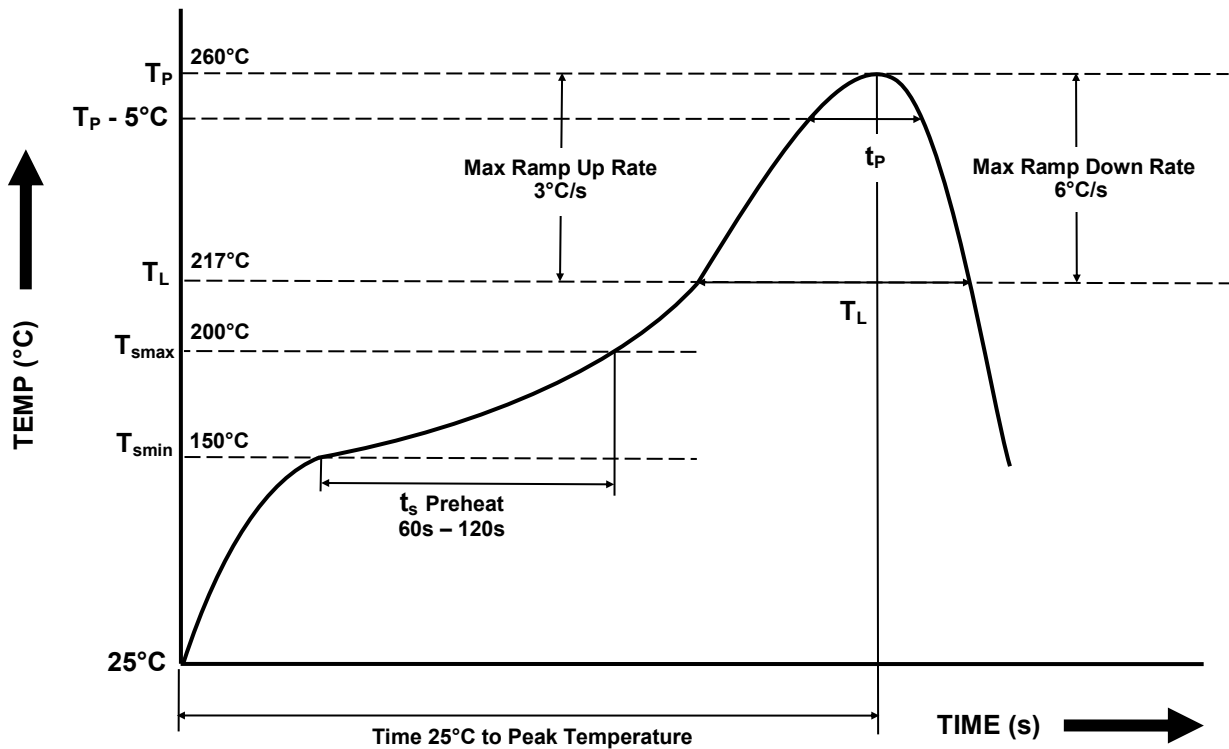


Description	Symbol	Dimension mm (inch)
Tape Width	W	16 ± 0.3 (0.63)
Pitch of Sprocket Holes	P ₀	4 ± 0.1 (0.15)
Distance of Compartment to Sprocket Holes	F	7.5 ± 0.1 (0.295)
	P ₂	2 ± 0.1 (0.079)
Distance of Compartment to Compartment	P ₁	12 ± 0.1 (0.472)



IR REFLOW SOLDERING TEMPERATURE PROFILE

Note : One Time Reflow Soldering is Recommended.
Do Not Immerse Device Body in Solder Paste.



Profile Details	Conditions
Preheat - Min Temperature (T_{SMIN}) - Max Temperature (T_{SMAX}) - Time T_{SMIN} to T_{SMAX} (t_s)	150°C 200°C 60s - 120s
Soldering Zone - Peak Temperature (T_P) - Time at Peak Temperature - Liquidous Temperature (T_L) - Time within 5°C of Actual Peak Temperature ($T_P - 5^\circ C$) - Time maintained above T_L (t_L) - Ramp Up Rate (T_L to T_P) - Ramp Down Rate (T_P to T_L)	260°C 10s max 217°C 30s max 60s - 100s 3°C/s max 6°C/s max
Average Ramp Up Rate (T_{smax} to T_P)	3°C/s max
Time 25°C to Peak Temperature	8 minutes max

DISCLAIMER

Isocom Components is continually working to improve the quality and reliability of its products. Nevertheless, semiconductor devices in general can malfunction or fail due to their inherent electrical sensitivity and vulnerability to physical stress. It is the responsibility of the buyer, when utilizing Isocom Components products, to comply with the standards of safety in making a safe design for the entire system, and to avoid situations in which a malfunction or failure of such Isocom Components products could cause loss of human life, bodily injury or damage to property.

In developing your designs, please ensure that Isocom Components products are used within specified operating ranges as set forth in the most recent Isocom Components products specifications.

The Isocom Components products listed in this document are intended for usage in general electronics applications (computer, personal equipment, office equipment, measuring equipment, industrial robotics, domestic appliances, etc.). These Isocom Components products are neither intended nor warranted for usage in equipment that requires extraordinarily high quality and/or reliability or a malfunction or failure of which may cause loss of human life or bodily injury ("Unintended Usage"). Unintended Usage include atomic energy control instruments, airplane or spaceship instruments, transportation Instruments, traffic signal instruments, combustion control instruments, medical Instruments, all types of safety devices, etc... Unintended Usage of Isocom Components products listed in this document shall be made at the customer's own risk.

Gallium arsenide (GaAs) is a substance used in the products described in this document. GaAs dust and fumes are toxic. Do not break, cut or pulverize the product, or use chemicals to dissolve them. When disposing of the products, follow the appropriate regulations. Do not dispose of the products with other industrial waste or with domestic garbage.

The products described in this document are subject to the foreign exchange and foreign trade laws.

The information contained herein is presented only as a guide for the applications of our products. No responsibility is assumed by Isocom Components for any infringements of intellectual property or other rights of the third parties which may result from its use. No license is granted by implication or otherwise under any intellectual property or other rights of Isocom Components or others.

The information contained herein is subject to change without notice.

单击下面可查看定价，库存，交付和生命周期等信息

[>>ISOCOM](#)