

承 认 书

SPECIFICATION FOR APPROVAL

客户名称: Customer _____

货 名: Description SMD 3225 GLASS 石英晶体谐振器

客户料号: Part No _____

物料编号: Code No G3212288121080

频 率: Frequency 12.288MHz

日 期: Date 2020-06-09

备 注: RoHS 豁免条款 7 (a)

制作(Prepare by)	检查(Check by)	批准 (Approve by)
江丹娜	甘瑛	张刚

客户批准 Approve by customer	
批准日期 Approval date	

Add:广东省深圳市华发北路桑达工业区桑达雅苑 7P

7 P Sangda Yayuan Huafa North Road, Futian District, Shenzhen, Guangdong

Tel: 86-755-83048260

86-755-83048290

Fax: 86-755-83048280

1、 Specifications

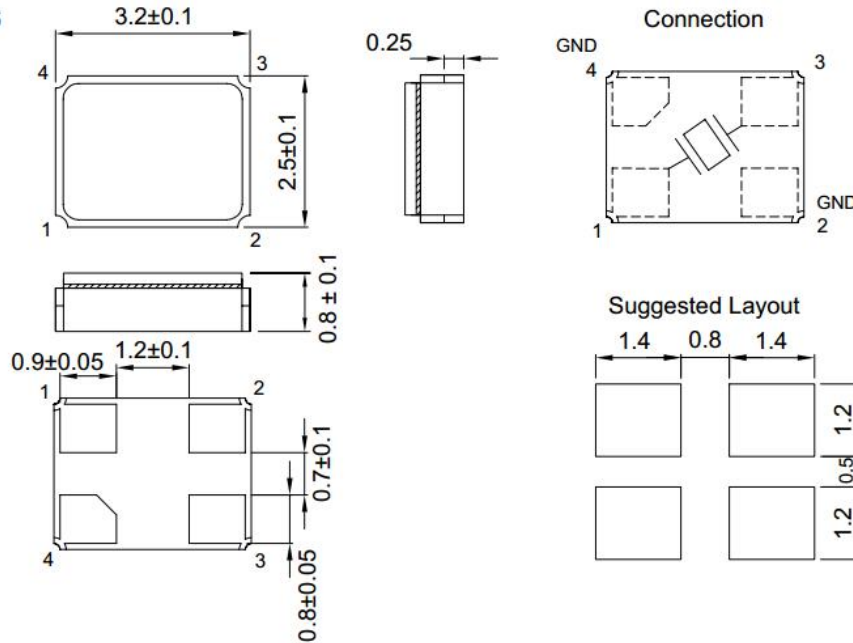
1	规格型号 Holder Type	SMD GLASS 3225
2	标称频率 Nominal Frequency	12.288 MHz
3	振动模式 Mode of Oscillation	Fundamental
4	调整频差 Frequency Tolerance at 25°C	±10ppm
5	温度频差 Temperature Frequency Stability	±30ppm
6	工作温度 Operating Temperature Range	-40~85°C
7	贮存温度 Storage Temperature Range	-40~90°C
8	负载电容 Load Capacitance	12pF
9	静电容 Shunt capacitance	≤7 pF
10	等效电阻 Equivalent Series Resistance	80 Ω Max
11	激励功率 Drive Level	10 uW
12	绝缘阻抗 Insulation Resistance	500MΩ/100V±15V _{DC}
13	老化率 Aging	±3ppm/First year
14	测试仪器 Test machine	250B

2. Frequency stability over temperature range (AT cut)

Temperature Range	Frequency Stability							
	±3PPM	±5PPM	±7.5PPM	±10PPM	±20PPM	±30PPM	±50PPM	±70PPM
0°C~+50°C	☆	☆	☆	☆	☆	☆	☆	☆
-10°C~+60°C			☆	☆	☆	☆	☆	☆
-20°C~+70°C				☆	☆	☆	☆	☆
-30°C~+70°C					☆	☆	☆	☆
-40°C~+85°C						☆	☆	☆
-40°C~+125°C						☆	☆	☆

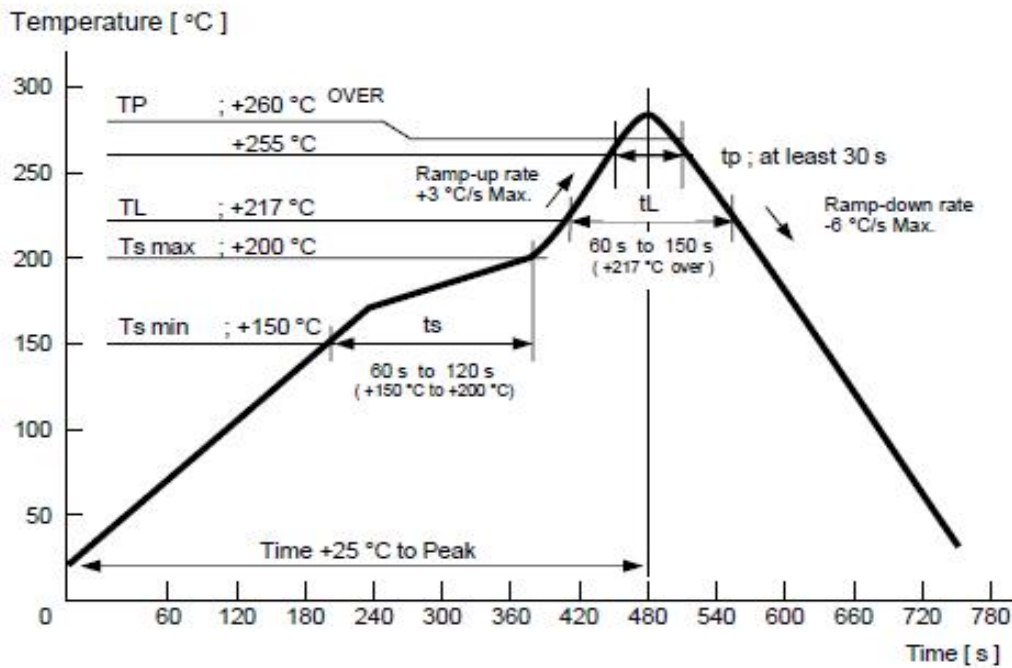
3. Dimensions (unit:mm)

■ DIMENSIONS
(Unit:mm)



*Coplanarity of solderable areas Camber 0.10 mm Max

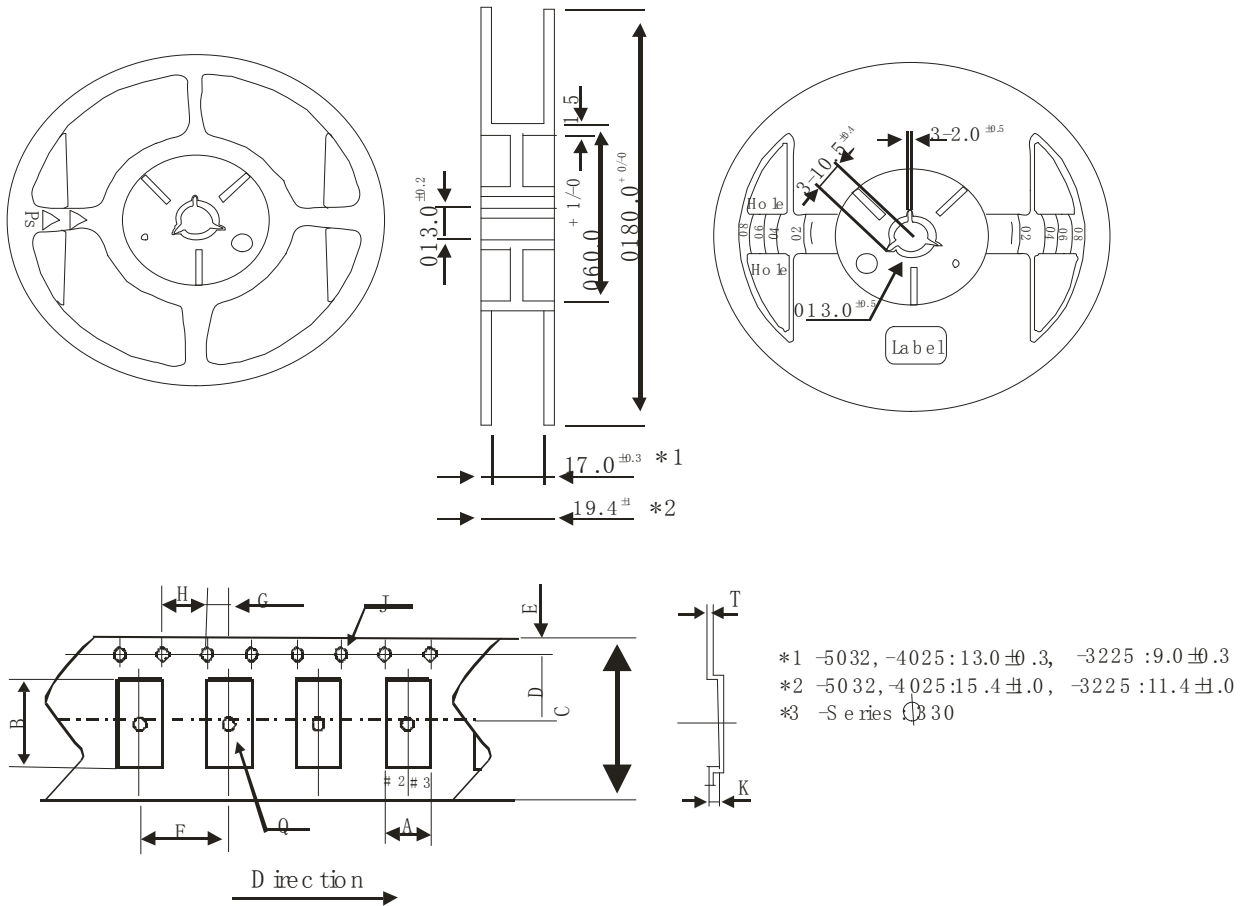
4. Recommended Reflow profile



5、Reliability specifications

	Item	Condition	Standard
1.	Drop characteristics	Free drop from 75cm height on a hard wooden board for 3 times. (Board is thickness more than 30 mm.)	Frequency change: ≤5ppm Rr as specification
2..	Shake characteristics	Shake frequency 10~55Hz, cyc1~2 minutes, swing 1.5mm, direction x/y/z, all 30 minutes, test after 1 hours.	Frequency change: ≤5ppm Rr as specification
3.	Airproof characteristics	Put crystal into the pressure cabin with alcohol, keep pressure 0.4~0.5mpa 10 minutes, then take out and blow for 5 minutes	IR ≥500MΩ
4.	Weld characteristics	260±5℃, 3 seconds	90% exhibit tin ok
5.	Humidity characteristics	+40±2℃ & 90%~95% R.H. 250 hours	Frequency change: ≤5ppm Rr as specification
6.	Low temperature characteristics	-30±2℃, 250 hours, put in room temperature, test after 1 hours.	Frequency change: ≤5ppm Rr as specification
7.	High temperature characteristics	+85±2℃, 250 hours, put in room temperature, test after 1 hours.	Frequency change: ≤5ppm Rr as specification
8.	Temperature cycling	-30±3℃/30±3 min~+85±2℃/30±3min, 5 cycles	Frequency change: ≤5ppm Rr as specification

6、Packaging standard

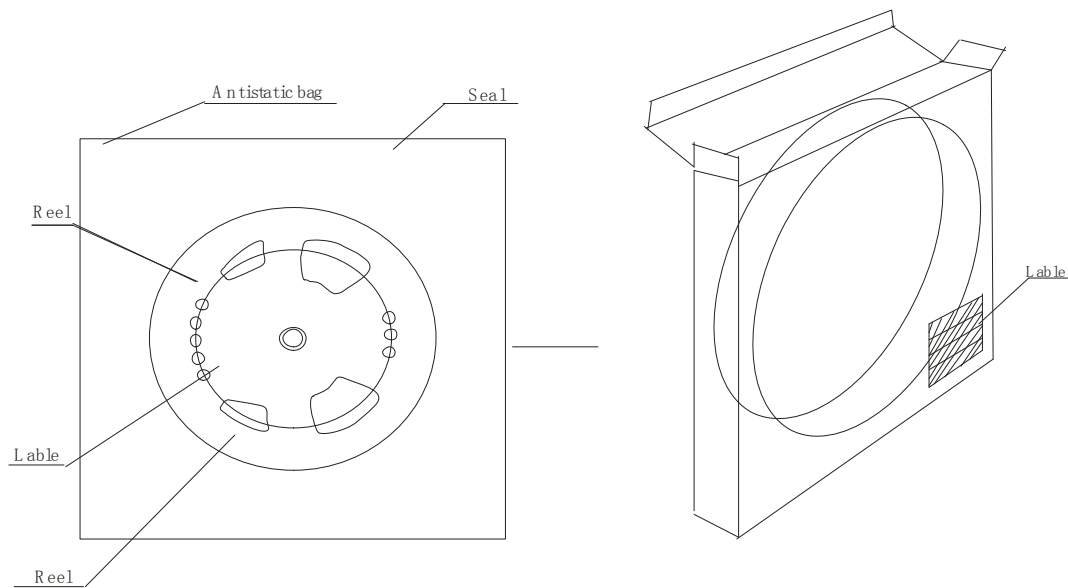


- Standard quantity of ST -3225 : 3,000 pcs/reel
- Standard quantity of SN -Series : 4,000 pcs/reel
- Standard quantity of others : 1,000 pcs/reel
- Carrier tape : Antistatic material (PS)
- Each reel can be recycled

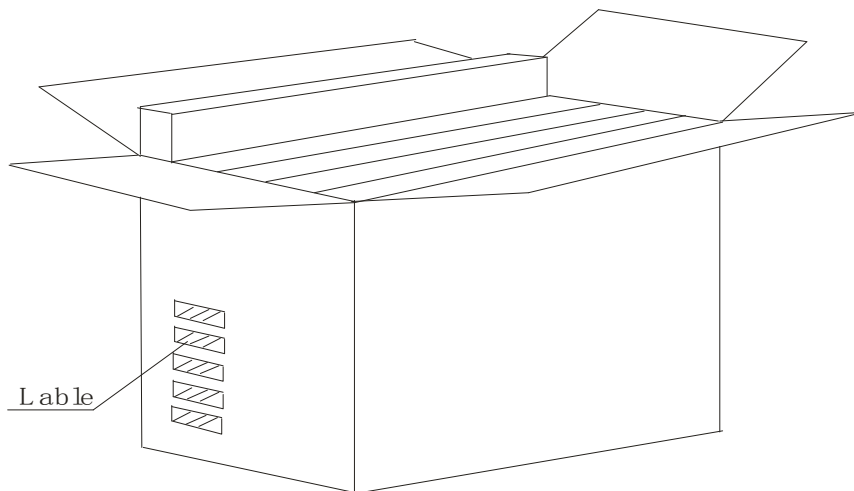
	SJ-7050 SN-7050	SJ-6032 SN-6032	SJ-5032	SJ -5032	SJ-4025	SJ-3225
A	$5.4^{±0.1}$	$3.9^{±0.1}$	$3.5^{±0.1}$	$3.5^{±0.1}$	$2.9^{±0.1}$	$2.9^{±0.1}$
B	$7.4^{±0.1}$	$6.4^{±0.1}$	$5.4^{±0.1}$	$5.4^{±0.1}$	$4.4^{±0.1}$	$3.6^{±0.1}$
C	$16.0^{±0.2}$	$16.0^{±0.2}$	$12.0^{±0.2}$	$12.0^{±0.2}$	$10.0^{±0.2}$	$8.0^{±0.2}$
D	$7.5^{±0.1}$	$7.5^{±0.1}$	$5.5^{±0.1}$	$5.5^{±0.1}$	$5.5^{±0.1}$	$5.5^{±0.1}$
E	$1.75^{±0.1}$	$1.75^{±0.1}$	$1.75^{±0.1}$	$1.75^{±0.1}$	$1.75^{±0.1}$	$1.75^{±0.1}$
F	$8.0^{±0.1}$	$8.0^{±0.1}$	$8.0^{±0.1}$	$8.0^{±0.1}$	$4.0^{±0.1}$	$4.0^{±0.1}$
G	$2.0^{±0.1}$	$2.0^{±0.1}$	$2.0^{±0.1}$	$2.0^{±0.1}$	$2.0^{±0.1}$	$2.0^{±0.1}$
H	$4.0^{±0.1}$	$4.0^{±0.1}$	$4.0^{±0.1}$	$4.0^{±0.1}$	$4.0^{±0.1}$	$4.0^{±0.1}$
J	$1.55^{±0.05}$	$1.55^{±0.05}$	$1.5^{+0.1/0}$	$1.5^{+0.1/0}$	$1.5^{±0.1/0}$	$1.5^{±0.1/0}$
K	$1.4^{±0.1}$	$1.5^{±0.1}$	$1.0^{±0.1}$	$1.5^{±0.1}$	$0.9^{±0.1}$	$0.9^{±0.1}$
Q	$1.6^{+0.1/0}$	$1.55^{±0.05}$	$1.6^{±0.1}$	$1.6^{±0.1}$	$1.5^{±0.1/0}$	$1.5^{±0.1/0}$
T	$0.3^{±0.05}$	$0.3^{±0.05}$	$0.25^{±0.05}$	$0.25^{±0.05}$	$0.25^{±0.05s}$	$0.25^{±0.05s}$

Item		Empty Space
Tapa Leader	Cover Tape	Min.500mm
	Empty Pockets	Min.20 pockets
Tape Trailer	Cover Tape	Min.0mm
	Empty Pockets	Min.40mm

7. Inner carton



OUTER CARTON



7-1.MARKING

(1) Marking Labels are affixed to reel, inner carton and outer carton.

(2) Each label contains the following information.

- (a) Manufacture's name or symbol
- (b) Parts name or type
- (c) Frequency
- (d) Quantity
- (e) Reel number
- (f) Manufacturer's code (EIAJ code)

7-2. QUANTITY

3000pcs/reel (max.5reels in outer carton)

7-3. STORAGE ENVIRONMENT

- ✧ Storage the reel at normal temperature and humidity
- ✧ Open the packing just before using
- ✧ Do not expose the sun
- ✧ Do not storage with some erosive chemicals
- ✧ Nothing is allowed to put on the reel or carton to prevent mechanical damage

7-4. HANDLING

- ✧ Handle with care to prevent the damage of tape, reel and products.

单击下面可查看定价，库存，交付和生命周期等信息

[>>JGHC\(晶光华\)](#)