

# 承 认 书

SPECIFICATION FOR APPROVAL

客户名称: Customer \_\_\_\_\_

货 名: Description MC-306 石英晶体谐振器

客户料号: Part No \_\_\_\_\_

物料编号: Code No MC30600327122050

频 率: Frequency 32.768KHz

日 期: Date 2020-05-20

备 注: RoHS 豁免条款 7 (a)

制作(Prepare by)	检查(Check by)	批准 (Approve by)
江丹娜	甘瑛	张刚

客户批准 Approve by customer	
批准日期 Approval date	

Add: 广东省深圳市华发北路桑达工业区桑达雅苑 7P

7 P Sangda Yayuan Huafa North Road, Futian District, Shenzhen, Guangdong

Tel: 86-755-83048260

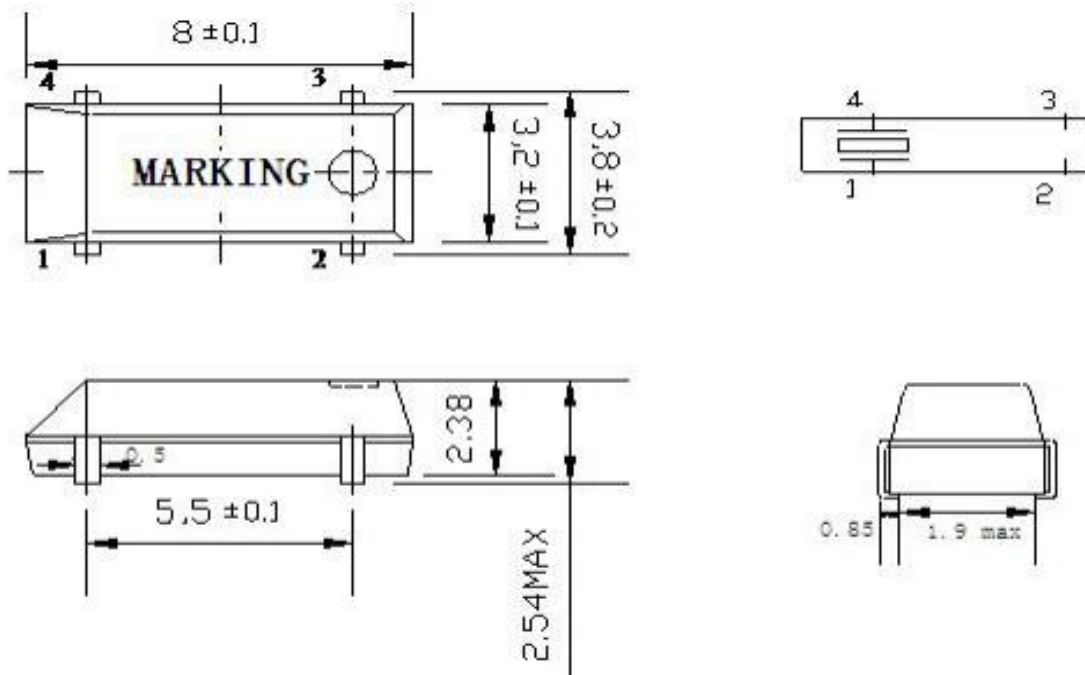
86-755-83048290

Fax: 86-755-83048280

## 1. Specifications

Item	Symbol	MC-306	Remark	
Nominal frequency	f	32.768KHZ	Fundamental	
Temperature	Storage	T <sub>STG</sub>	-55℃ to +125℃	Store as bare product after unpacking
	Operating	T <sub>OPR</sub>	-40℃ to +85℃	
Maximum drive level	DL	1.0μW Max.		
Frequency tolerance	Δ f/f	± 20ppm	Ta=+25℃ ,DL=0.1μW	
Peak temperature	Ti	25±5℃		
Temperature coefficient(frequency)	B	-0.04ppm×10 <sup>-6</sup> /℃ <sup>2</sup> Max		
Load capacitance	CL	12.5pf		
Series resistance	R1	50kΩ Max		
Motional capacitance	C1	2.0fF Typ.		
Shunt capacitance	C0	0.9pF Typ.		
Insulation resistance	IR	500MΩ Min		
Aging	f-age	±3×10 <sup>-6</sup> ppm/year Max.	Ta=+25±3℃ ,first year	

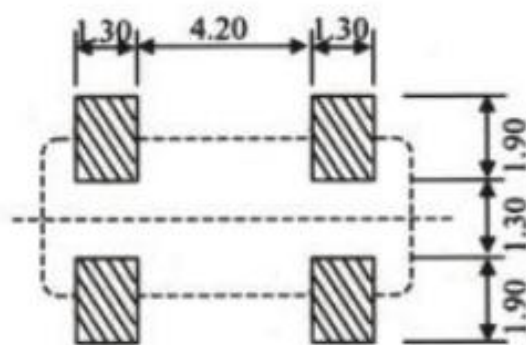
## 2. Dimensions (unit: mm)



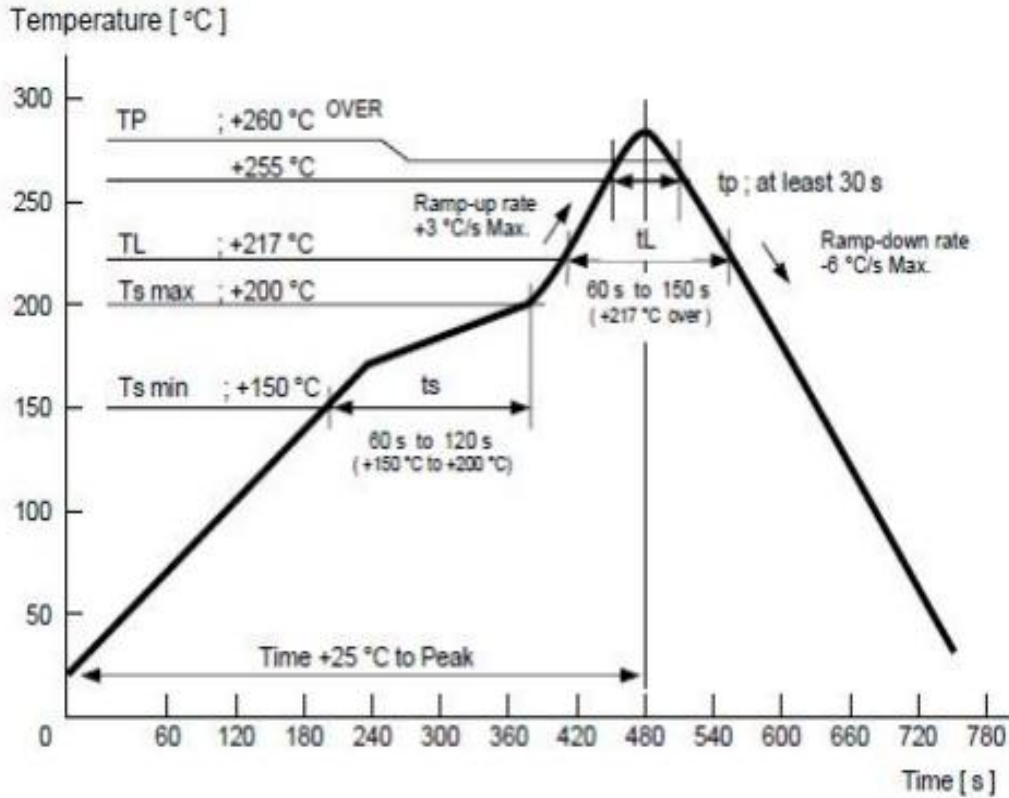
Do not connect #2 and #3 to external device.

Metal may be exposed on the top or bottom of this product. This won't affect any quality, reliability or electrical spec.

### 2.1 Recommended soldering pattern(unit: mm)



### 3. Recommended Reflow Profile

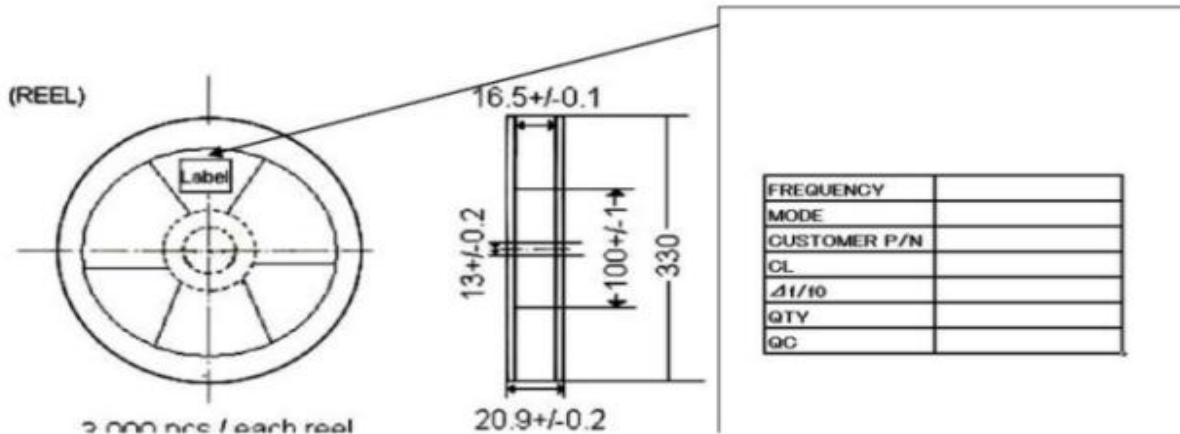
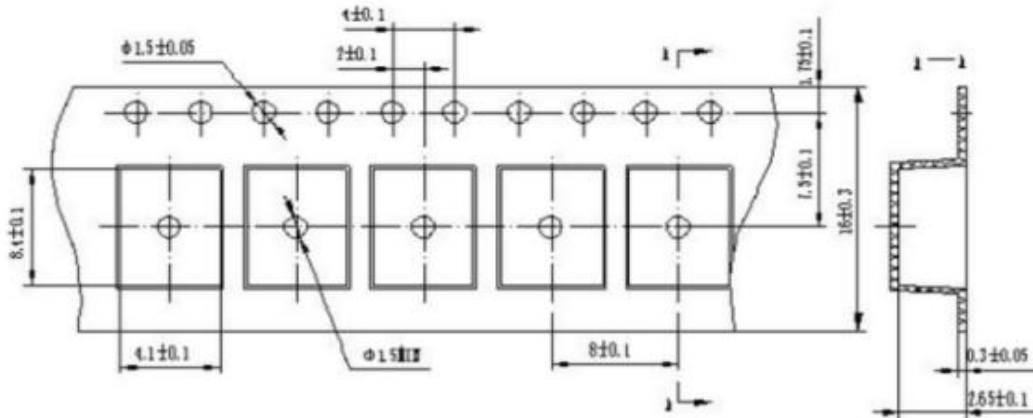


### 4. Reliability specifications

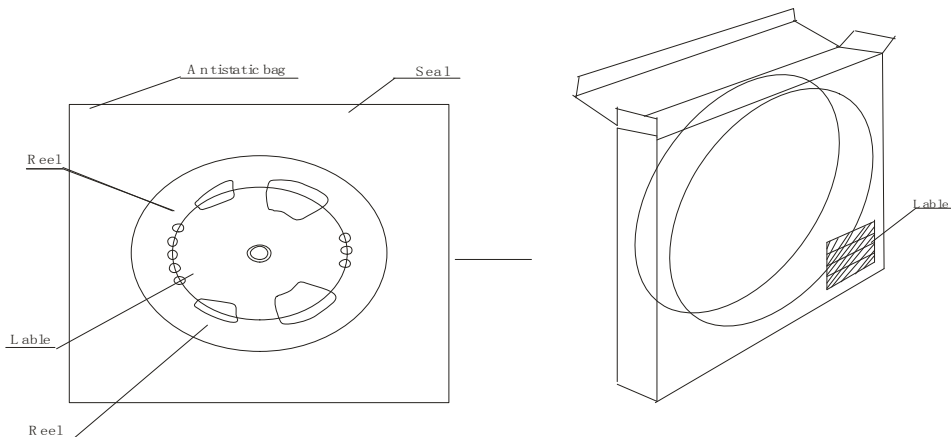
No.	Item	Condition	Standard
1.	Drop	Free drop from 75cm height on a hard wooden board for 3 times. (Board is thickness more than 30 mm.)	Frequency change: 10ppm Max. Rr change: 5K Ω Max.
2..	Vibration	Vibration Frequency:10~55Hz Vibration amplitude: 1.5mm Cycle time:1~2min(10~55~10Hz Direction:x/y/z Duration:2hours/each directions	Frequency change: 10ppm Max. Rr change: 5K Ω Max.
3.	Solderability	Temperature:245℃ ± 5℃ Immersing depth:0.5mm minimum Immersion time:5 ± 1sec. Flux:Rosin resin methyl alcohol solvent(1:4)	90% exhibit tin ok
4.	Resistance to soldering heat	Test temperature:260℃ ± 5℃ Test time :10 ± 1sec.	Frequency change: 10ppm Max. Rr change: 10K Ω Max.
5.	Temperature Humidity storage	+85±2℃ & 85%R.H.250 hours	Frequency change: 10ppm Max. Rr change: 10K Ω Max.
6.	Low temperature storage	-40±2℃, 250hours	Frequency change: 10ppm Max. Rr change: 10K Ω Max.
7.	High temperature storage	+85±2℃,250hours,	Frequency change: 10ppm Max. Rr change: 10K Ω Max.
8.	Temperature cycling	-40±3℃/30±3 min~+85±2℃/30±3min, 50cycles	Frequency change: 10ppm Max. Rr change: 10K Ω Max.

## 5、Packaging

◇PACKING: (TAPE / REEL)



6. Packaging standard



Standard quantity: 3000 pcs/reel

单击下面可查看定价，库存，交付和生命周期等信息

[>>JGHC\(晶光华\)](#)