

承 认 书

SPECIFICATION FOR APPROVAL

客户名称: Customer _____

货 名: Description SMD 2012 石英晶体谐振器

客户料号: Part No _____

物料编号: Code No S2100327072090

频 率: Frequency 32.768KHz

日 期: Date 2020-06-09

备 注: RoHS compliance with Directive (EU) 2015/863

制作(Prepare by)	检查(Check by)	批准 (Approve by)
江丹娜	甘瑛	张刚

客户批准 Approve by customer	
批准日期 Approval date	

Add: 广东省深圳市华发北路桑达工业区桑达雅苑 7P

7 P Sangda Yayuan Huafa North Road, Futian District, Shenzhen, Guangdong

Tel: 86-755-83048260

86-755-83048290

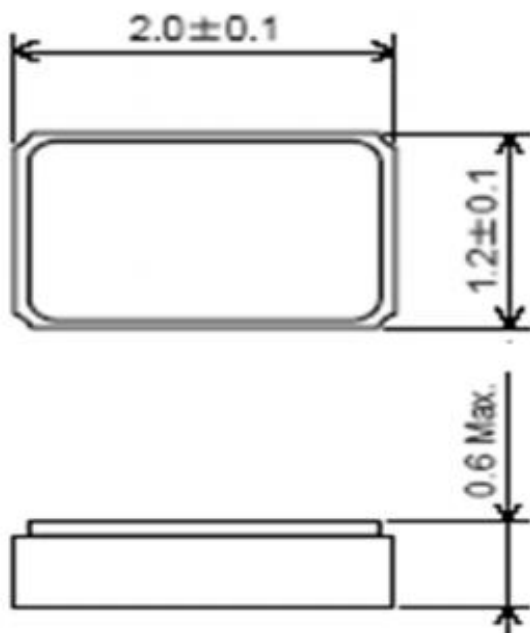
Fax: 86-755-83048280

1.ELECTRICAL SPECIFICATIONS

1	规格型号 Holder Type	SMD2012
2	标称频率 Nominal Frequency	32.768KHz
3	负载电容 Load Capacitance	7pF
4	调整频差 Frequency Tolerance at 25°C	± 20 ppm
5	激励功率 Drive Level	0.1uW
6	等效电阻 Equivalent Series Resistance	90KΩ Max
7	峰值温度(频率)Peak Temperature (Frequency)	25±5°C
8	工作温度 Operating Temperature Range	-40~85°C
9	贮存温度 Storage Temperature Range	-55~125°C
10	温度频差 Temperature Frequency Stability	-0.04ppm/°C ²
11	静电容 Shunt capacitance	1.3pF
12	动态电容 Motional Capacitance	6.4fF
13	绝缘阻抗 Insulation Resistance	500MΩ/100V±15V _{DC}
14	年老化率 Aging	± 3ppm/First year

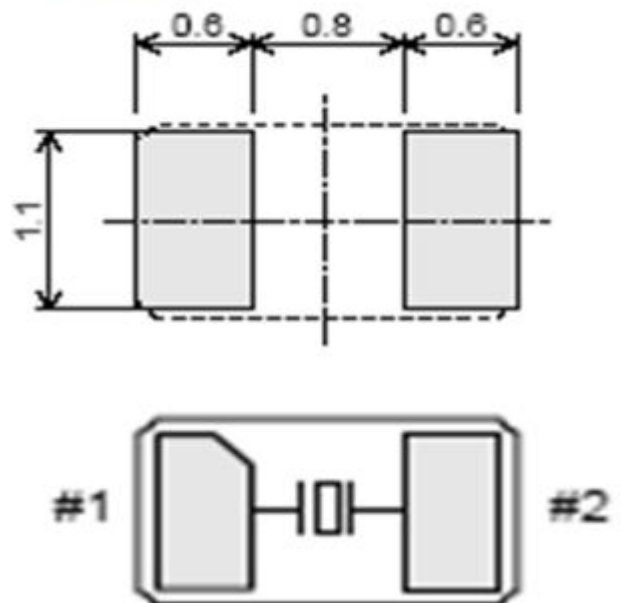
■ DIMENSIONS

(UNIT:mm)

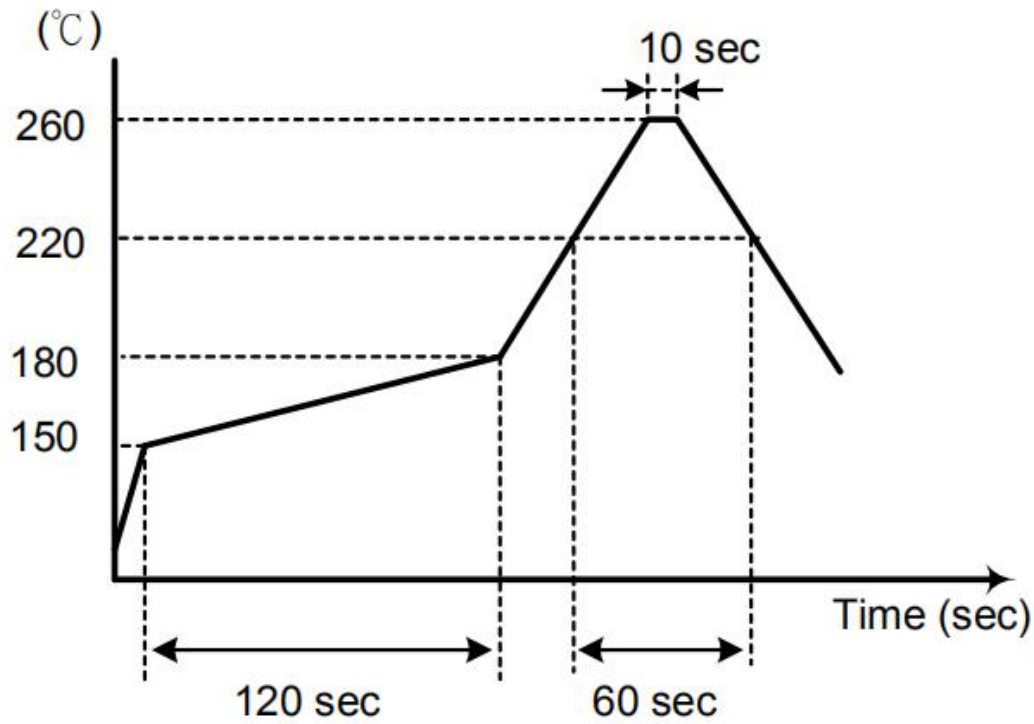


■ RECOMMENDED SOLDER PAD

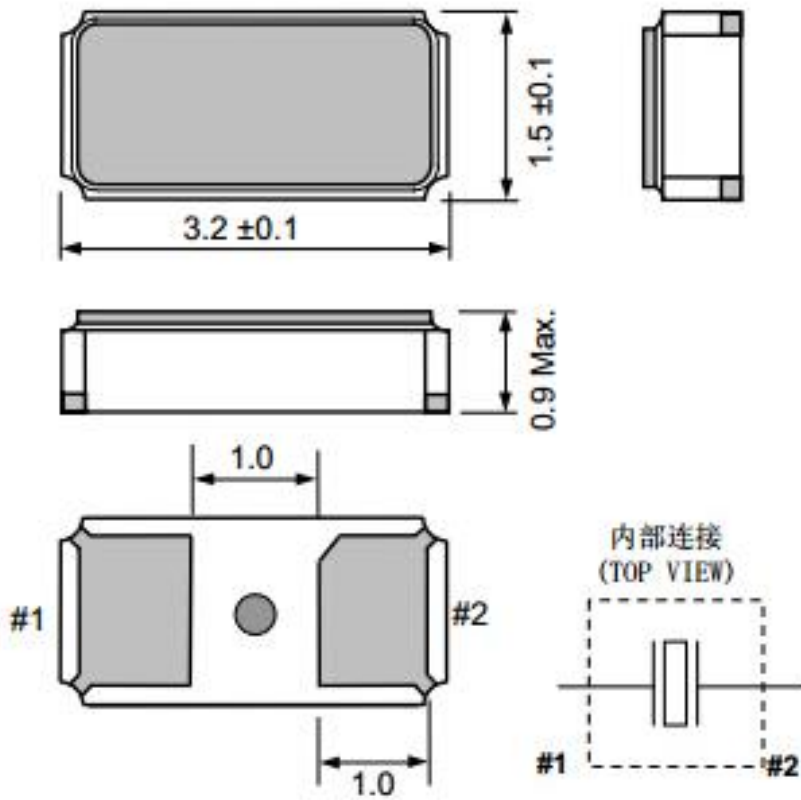
(UNIT:mm)



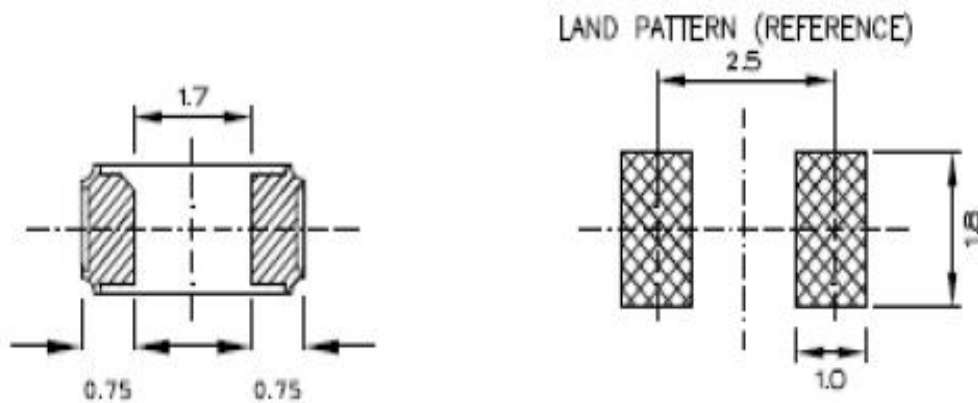
■ SUGGESTED REFLOW PROFILE:



2. Dimensions

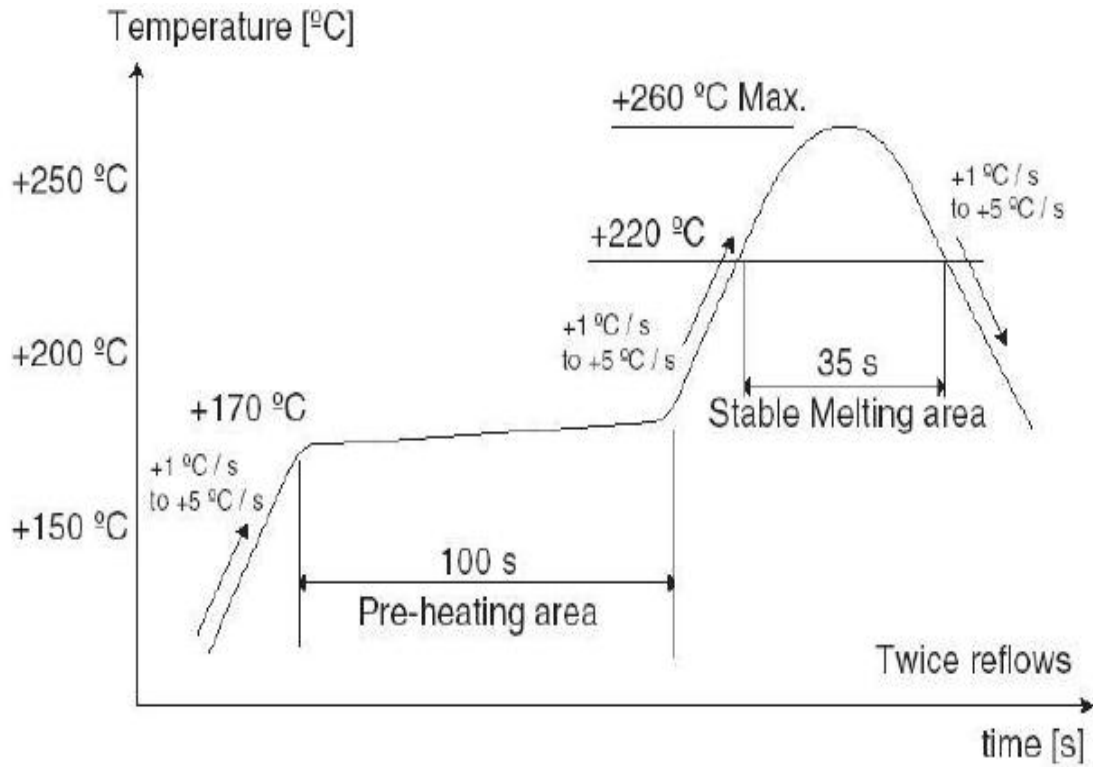


3. Recommended soldering pattern

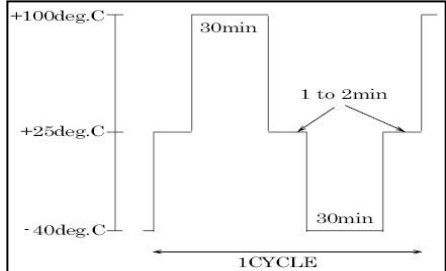


4. Recommended Reflow Profile

Per heating temperature: +170°C
Peak temperature must not exceed =260°C
And the duration of over +220°C should be 35s

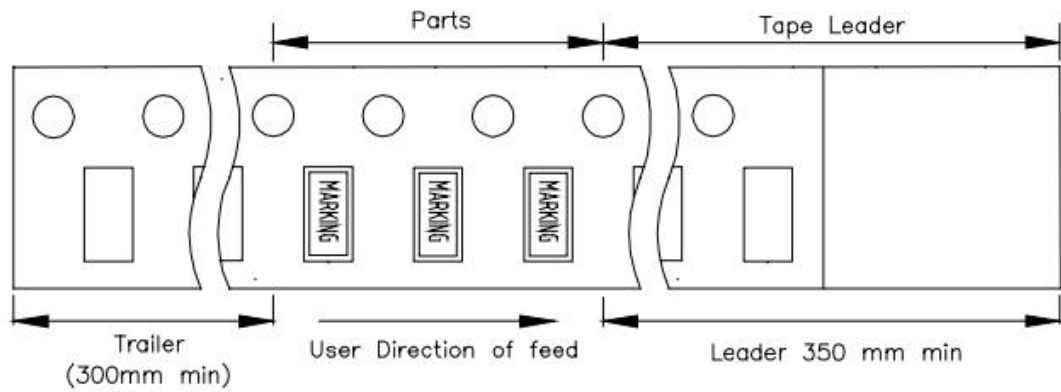
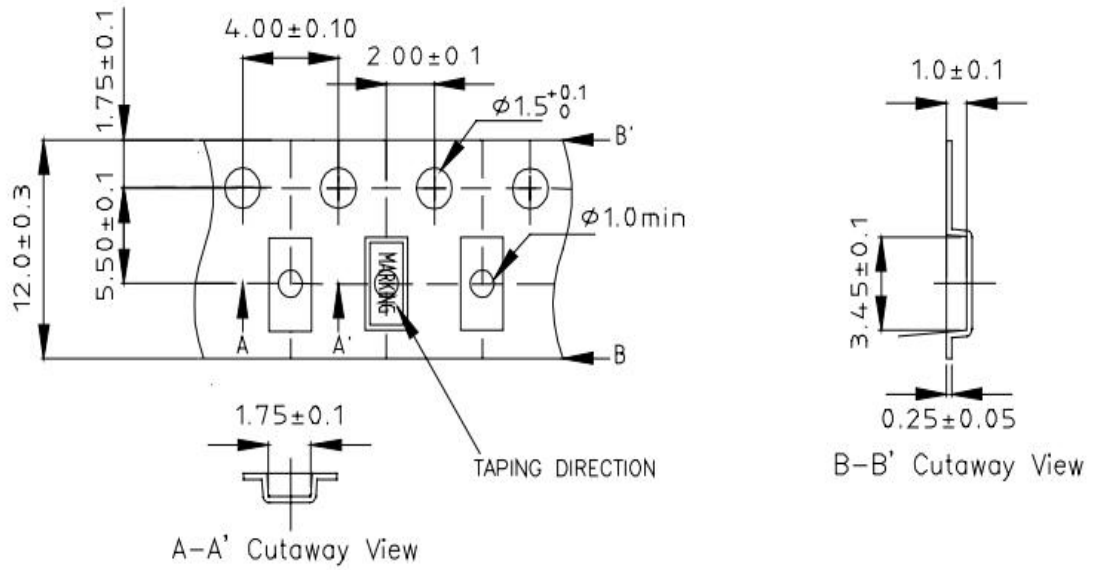


5. Reliability specifications

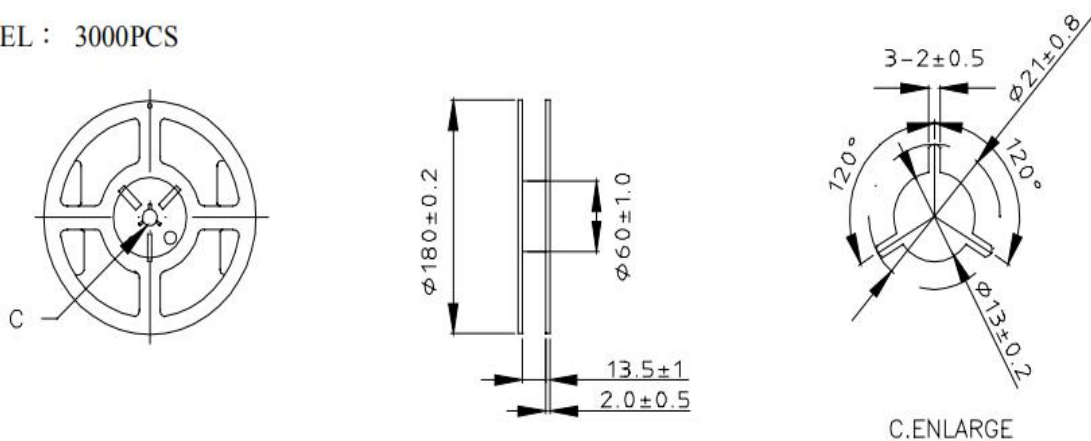
Test Items	Test Method and Condition	Requirements
Vibration	(1)Vibration Frequency 10 to 55Hz (2)Vibration Amplitude 1.5mm (3) Cycle Time 1-2min(10-55-10Hz) (4)Direction X.Y.Z (5)Duration 2h/each direction	Frequency Change:±10ppm Max. Resistance Change:±15% or 5kohm Max.
Shock	3 Times free drop from 75cm height to hard wooden board of thickness more than 30mm	Frequency Change:±10ppm Max. Resistance Change:±15% or 5kohm Max.
Hermetic seal	Helium leak detector Checked:before the molded crystal units	less than 1×10^{-7} mbar.l/sec.
Solder ability	Dip the leads of crystal units into the solution (7-10%) of rosin 3±0.5s,then dip it into the tank 5-10s. Temperature of solder melted tank is 245°C ±5°C	The dipped surface of the leads should be at least 95% covered with continuous new solder coating
High temperature	240 hours at +85°C ± 2°C After 1-2hours past at room temperature from following	Frequency Change:±10ppm Max. Resistance Change:±25% or 10kohm Max.
Low temperature	240 hours at -20°C ±2°C After 1-2hours past at room temperature from following test.	Frequency Change:±10ppm Max. Resistance Change:±15% or 5kohm Max.
Humidity	240 hours at +40°C ±2°C,relative humidity 90-95% After 1-2hours past at room temperature from following	Frequency Change:±10ppm Max. Resistance Change:±25% or 10kohm Max.
Temperature cycle	After supplying the following temperature cycle(50cycles) 	Frequency Change:±10ppm Max. Resistance Change:±25% or 10kohm Max.

6、Packaging standard

1. CARRIER TYPE



2. REEL : 3000PCS



单击下面可查看定价，库存，交付和生命周期等信息

[>>JGHC\(晶光华\)](#)