

承 认 书

SPECIFICATION FOR APPROVAL

客户名称: Customer _____

货 名: Description SMD 5032 石英晶体谐振器

客户料号: Part No _____

物料编号: Code No S5319687141040A

频 率: Frequency 19.6875MHz

日 期: Date 2020-06-11

备 注: RoHS compliance with Directive (EU) 2015/863

| 制作(Prepare by) | 检查(Check by) | 批准 (Approve by) |
|----------------|--------------|-----------------|
| 江丹娜 | 甘瑛 | 张刚 |

| | |
|-----------------------------|--|
| 客户批准 Approve by customer | |
| 批准日期 Approval date | |

Add:广东省深圳市华发北路桑达工业区桑达雅苑 7P

7 P Sangda Yayuan Huafa North Road, Futian District, Shenzhen, Guangdong

Tel: 86-755-83048260 86-755-83048290

Fax: 86-755-83048280

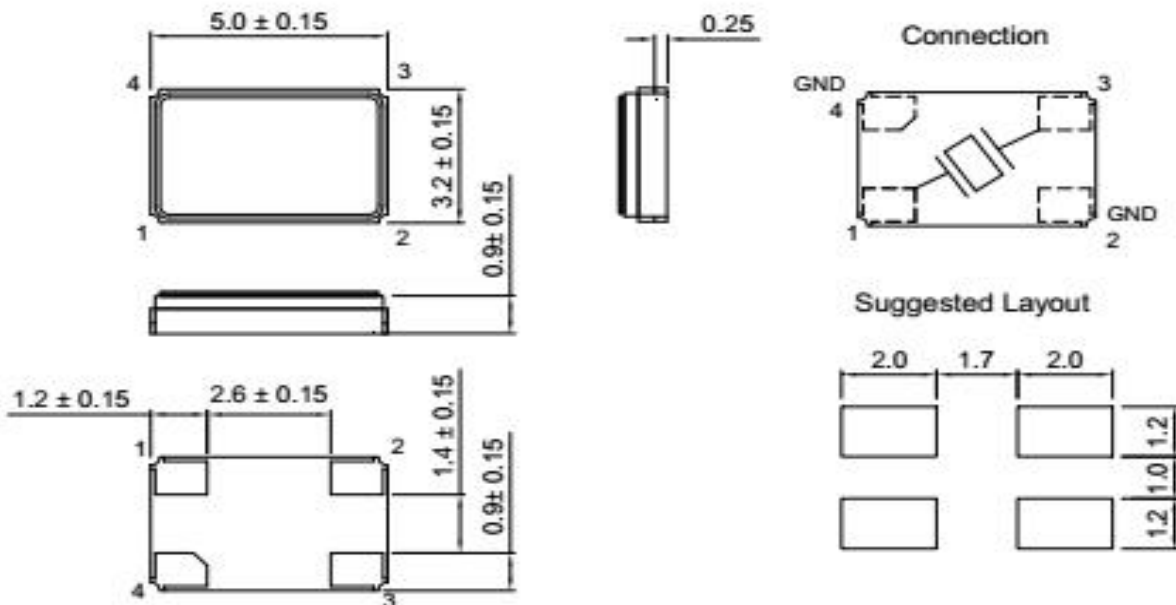
1、 Specifications

| | | |
|----|---|------------------------------|
| 1 | 规格型号 Holder Type | SMD5032 |
| 2 | 标称频率 Nominal Frequency | 19.6875MHz |
| 3 | 振动模式 Mode of Oscillation | Fundamental |
| 4 | 调整频差 Frequency Tolerance at 25℃ | ±10ppm |
| 5 | 温度频差 Temperature Frequency Stability | ±30ppm |
| 6 | 工作温度 Operating Temperature Range | -40~85℃ |
| 7 | 贮存温度 Storage Temperature Range | -40~90℃ |
| 8 | 负载电容 Load Capacitance | 14 pf |
| 9 | 静电容 Shunt capacitance | ≤7 pf |
| 10 | 等效电阻 Equivalent Series Resistance | 40Ω Max |
| 11 | 激励功率 Drive Level | 10uW |
| 12 | 绝缘阻抗 Insulation Resistance | 500MΩ/100V±15V _{DC} |
| 13 | 年老化率 Aging | ±3ppm/First year |
| 14 | 测试仪器 Test machine | 250B |

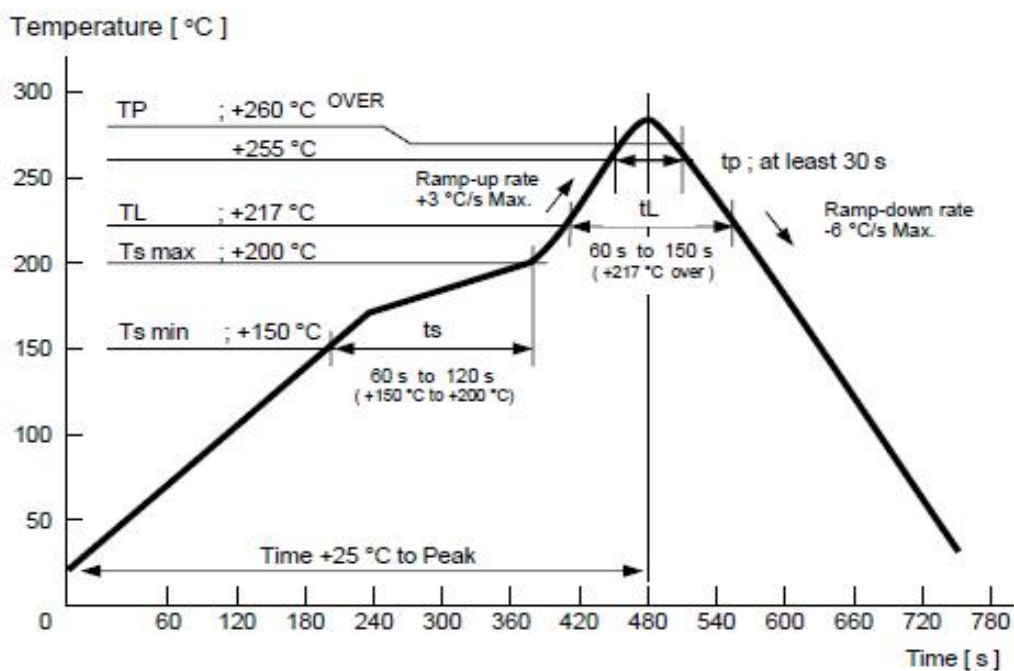
2.Frequency stability over temperature range (AT cut)

| Temperature Range | Frequency Stability | | | | | | | |
|-------------------|---------------------|-------|---------|--------|--------|--------|--------|--------|
| | ±3PPM | ±5PPM | ±7.5PPM | ±10PPM | ±20PPM | ±30PPM | ±50PPM | ±70PPM |
| 0℃~+50℃ | ☆ | ☆ | ☆ | ☆ | ☆ | ☆ | ☆ | ☆ |
| -10℃~+60℃ | | | ☆ | ☆ | ☆ | ☆ | ☆ | ☆ |
| -20℃~+70℃ | | | | ☆ | ☆ | ☆ | ☆ | ☆ |
| -30℃~+70℃ | | | | | ☆ | ☆ | ☆ | ☆ |
| -40℃~+85℃ | | | | | | ☆ | ☆ | ☆ |
| -40℃~+125℃ | | | | | | ☆ | ☆ | ☆ |

3. Dimensions (unit:mm)



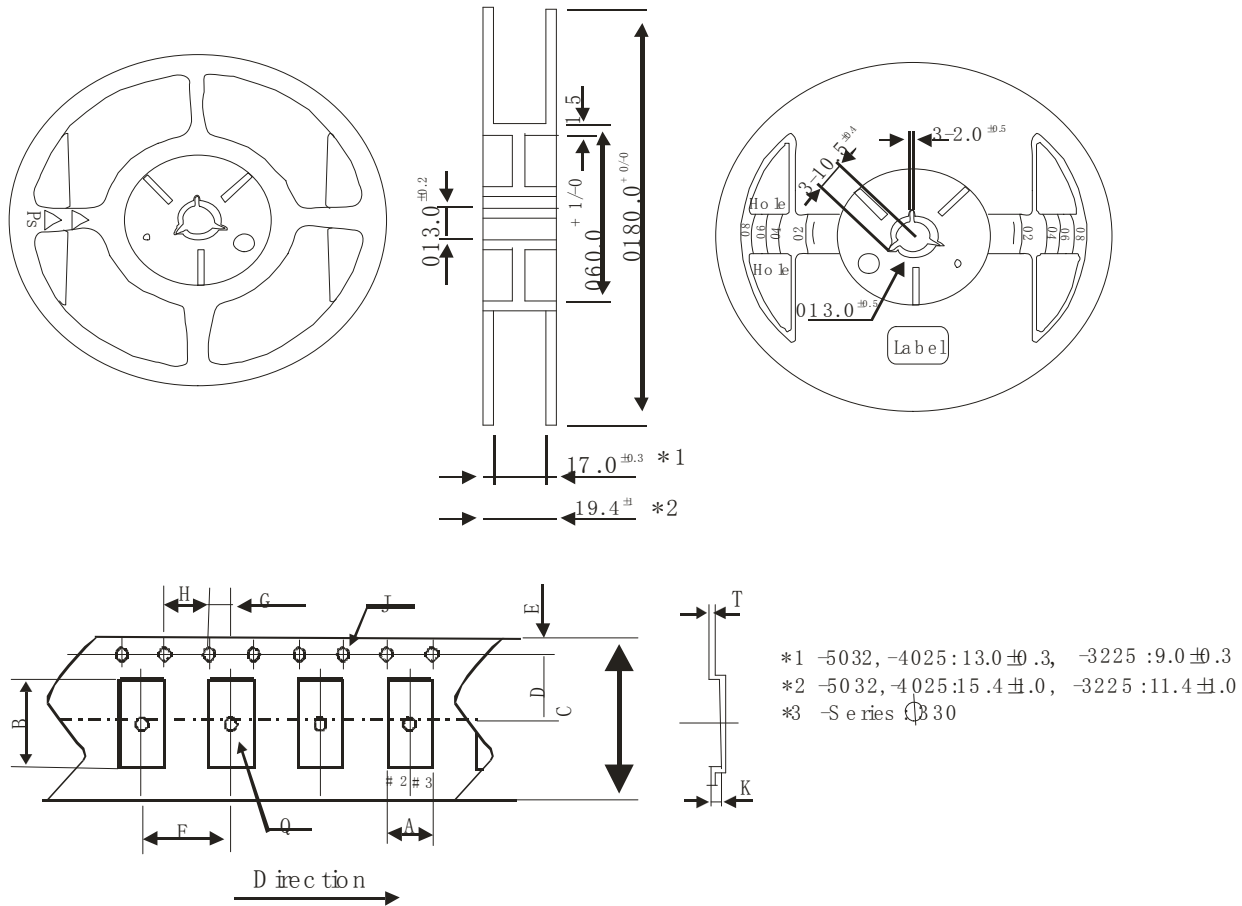
4. Recommended Reflow profile



5、Reliability specifications(conform to AEC-Q200)

| NO. | Item | Test Condition | Reference Doc. |
|-----|------------------------------|---|------------------------|
| 1. | Drop | 1m height ,hard wooden board(board thickness:30mm min.), 3times | IEC-68-2-32 |
| 2. | Low temperature storage | -40±3℃,1000 hours, unpowered. | MIL-STD-883E |
| 3. | High temperature storage | +125±3℃,1000 hours, unpowered. | MIL-STD-202 Method 108 |
| | (Operation life) | +125±3℃,1000 hours, power | |
| 4. | Temperature cycling | Total 1000 cycles of the following temperature cycle: -40±3 to 125±3℃, Dwell time:15min | JESD 22 Method JA-104 |
| 5. | Moisture Resistance | 20cycles(25~65℃, 80~100%RH),24hrs/cycles | MIL-STD-202 Method 106 |
| 6. | Biased Humidity | +85±3℃ & 85% RH, 1000 hours | MIL-STD-202 Method 103 |
| 7. | Mechanical Shock | Condition C: Peak value:100g's normal duration:6ms Waveform:half sine velocity change:12.3ft/sec | MIL-STD-202 Method 213 |
| 8. | Vibration | 5g's for 20 minutes 12 cycles each of 3 orientations Test form 10~2000Hz | MIL-STD-202 Method 204 |
| 9. | Resistance to soldering heat | Pre-heat temperature:125℃ Pre-heat time:60~120s. Test temperature:260± 5℃ Test time:10± 1sec. | MIL-STD-202 Method 210 |
| 10. | Thermal shock | -55±3℃~+125±3℃,Cycles:300, Dwell time:5minutes, Max. transfer time:20mintutes air-air | MIL-STD-202 Method 107 |
| 11. | Solderability | Temperature :245 ℃ ± 5℃ Immersing depth:0.5 mm min.Immersion time:5 ± 1 sec. Flux Rosin resin methyl alcohol solvent (1 : 4) | J-STD-002 |
| 12. | Terminal strength | Mount on PCB board and shear strength 1.8kg for 60sec. | AEC-Q200-006 |

6、Packaging standard

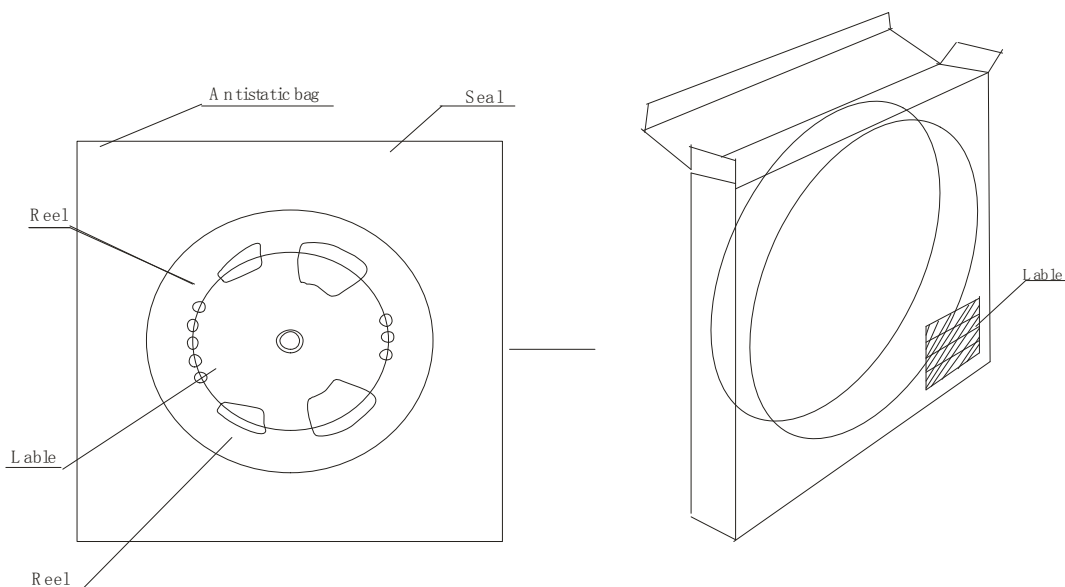


- Standard quantity of ST -3225 : 3,000 pcs/reel
- Standard quantity of SN -Series : 4,000 pcs/reel
- Standard quantity of others : 1,000 pcs/reel
- Carrier tape : Antistatic material (PS)
- Each reel can be recycled

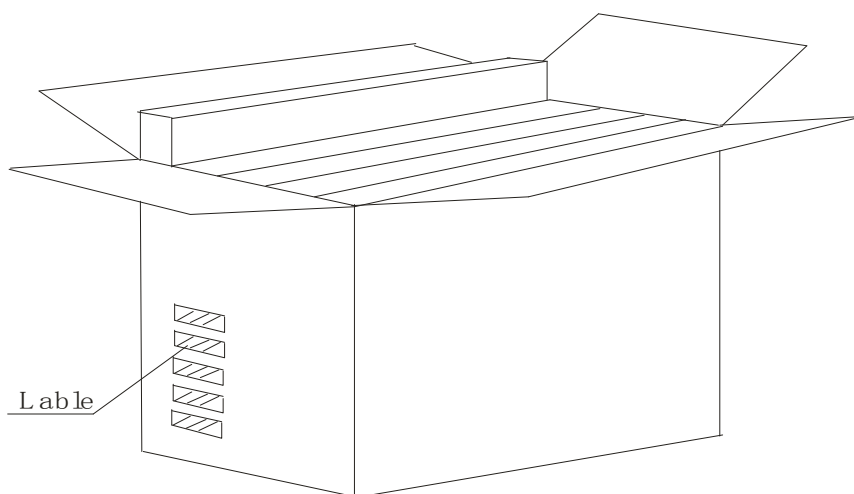
| | SJ-7050 SN-7050 | SJ-6032 SN-6032 | SJ-5032 | SJ -5032 | SJ-4025 | SJ-3225 |
|---|-----------------------|-----------------------|-----------------------|-----------------------|------------------------|------------------------|
| A | 5.4 ^{±0.1} | 3.9 ^{±0.1} | 3.5 ^{±0.1} | 3.5 ^{±0.1} | 2.9 ^{±0.1} | 2.9 ^{±0.1} |
| B | 7.4 ^{±0.1} | 6.4 ^{±0.1} | 5.4 ^{±0.1} | 5.4 ^{±0.1} | 4.4 ^{±0.1} | 3.6 ^{±0.1} |
| C | 16.0 ^{±0.2} | 16.0 ^{±0.2} | 12.0 ^{±0.2} | 12.0 ^{±0.2} | 10.0 ^{±0.2} | 8.0 ^{±0.2} |
| D | 7.5 ^{±0.1} | 7.5 ^{±0.1} | 5.5 ^{±0.1} | 5.5 ^{±0.1} | 5.5 ^{±0.1} | 5.5 ^{±0.1} |
| E | 1.75 ^{±0.1} | 1.75 ^{±0.1} | 1.75 ^{±0.1} | 1.75 ^{±0.1} | 1.75 ^{±0.1} | 1.75 ^{±0.1} |
| F | 8.0 ^{±0.1} | 8.0 ^{±0.1} | 8.0 ^{±0.1} | 8.0 ^{±0.1} | 4.0 ^{±0.1} | 4.0 ^{±0.1} |
| G | 2.0 ^{±0.1} | 2.0 ^{±0.1} | 2.0 ^{±0.1} | 2.0 ^{±0.1} | 2.0 ^{±0.1} | 2.0 ^{±0.1} |
| H | 4.0 ^{±0.1} | 4.0 ^{±0.1} | 4.0 ^{±0.1} | 4.0 ^{±0.1} | 4.0 ^{±0.1} | 4.0 ^{±0.1} |
| J | 1.55 ^{±0.05} | 1.55 ^{±0.05} | 1.5 ^{+0.1/0} | 1.5 ^{+0.1/0} | 1.5 ^{+0.1/0} | 1.5 ^{+0.1/0} |
| K | 1.4 ^{±0.1} | 1.5 ^{±0.1} | 1.0 ^{±0.1} | 1.5 ^{±0.1} | 0.9 ^{±0.1} | 0.9 ^{±0.1} |
| Q | 1.6 ^{+0.1/0} | 1.55 ^{±0.05} | 1.6 ^{±0.1} | 1.6 ^{±0.1} | 1.5 ^{+0.1/0} | 1.5 ^{+0.1/0} |
| T | 0.3 ^{±0.05} | 0.3 ^{±0.05} | 0.25 ^{±0.05} | 0.25 ^{±0.05} | 0.25 ^{±0.05s} | 0.25 ^{±0.05s} |

| Item | | Empty Space |
|--------------|---------------|----------------|
| Tapa Leader | Cover Tape | Min.500mm |
| | Empty Pockets | Min.20 pockets |
| Tape Trailer | Cover Tape | Min.0mm |
| | Empty Pockets | Min.40mm |

7. Inner carton



OUTET CARTON



7-1. MARKING

- (1) Marking Labels are affixed to reel, inner carton and outer carton.
- (2) Each label contains the following information.
 - (a) Manufacture's name or symbol
 - (b) Parts name or type
 - (c) Frequency
 - (d) Quantity
 - (e) Reel number
 - (f) Manufacturer's code (EIAJ code)

7-2. QUANTITY

1000pcs/reel (max.5reels in outer carton)

7-3. STORAGE ENVIRONMENT

- ✧ Storage the reel at normal temperature and humidity
- ✧ Open the packing just before using
- ✧ Do not expose the sun
- ✧ Do not storage with some erosive chemicals
- ✧ Nothing is allowed to put on the reel or carton to prevent mechanical damage

7-4. HANDLING

- ✧ Handle with care to prevent the damage of tape, reel and products.

单击下面可查看定价，库存，交付和生命周期等信息

[>>JGHC\(晶光华\)](#)