



SCHOTTKY BARRIER RECTIFIERS

Reverse Voltage - 40 to 200 V

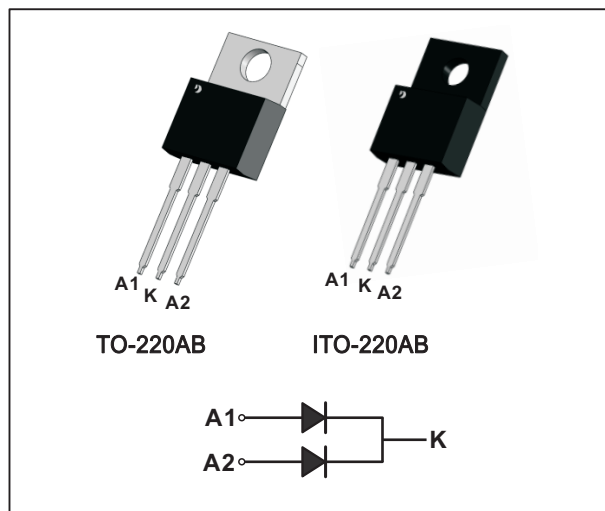
Forward Current - 20 A

FEATURES

- High current capability
- Low forward voltage drop
- Low power loss, high efficiency
- High surge capability
- High temperature soldering guaranteed
- Mounting position: any

Mechanical data

- Case: TO-220AB
- Approx. Weight: 1.9g (0.067oz)
- Case: ITO-220AB
- Approx. Weight: 2.1g (0.07oz)
- Terminals: Lead solderable per MIL-STD-202, Method 208



MAXIMUM RATINGS AND ELECTRICAL CHARACTERISTICS

Ratings at 25°C ambient temperature unless otherwise specified

| CHARACTERISTICS | TO-220 | MBR2040CT | MBR2045CT | MBR2060CT | MBR20100CT | MBR20150CT | MBR20200CT | Units |
|---|-----------------|------------|------------|------------|-------------|-------------|-------------|-------|
| | ITO-220 | MBR2040FCT | MBR2045FCT | MBR2060FCT | MBR20100FCT | MBR20150FCT | MBR20200FCT | |
| Maximum Recurrent Peak Reverse Voltage | V_{RRM} | 40 | 45 | 60 | 100 | 150 | 200 | V |
| Maximum RMS voltage | V_{RMS} | 28 | 31.5 | 42 | 70 | 105 | 140 | V |
| Maximum DC Blocking Voltage | V_{DC} | 40 | 45 | 60 | 100 | 150 | 200 | V |
| Maximum Average Forward Rectified Current per diode per device | $I_{F(AV)}$ | 10 20 | | | | | | A |
| Peak Forward Surge Current, 8.3ms Single Half Sine-wave Superimposed on Rated Load (JEDEC method) per diode | I_{FSM} | 150 | | | | | | A |
| Max Instantaneous Forward Voltage at 10 A(per diode) | V_F | 0.70 | | 0.75 | 0.85 | 0.90 | 0.92 | V |
| Maximum DC Reverse Current at Rated DC Reverse Voltage $T_a = 25^\circ\text{C}$ $T_a = 125^\circ\text{C}$ | I_R | 0.1 20 | | | 0.05 20 | | | mA |
| Typical Junction Capacitance ⁽¹⁾ | C_j | 600 | | 400 | | | | pF |
| Typical Thermal Resistance ⁽²⁾ | $R_{\theta JA}$ | 45 | | | | | | °C/W |
| Operating Junction Temperature Range | T_j | -55 ~ +150 | | | | -55 ~ +175 | | °C |
| Storage Temperature Range | T_{stg} | -55 ~ +150 | | | | -55 ~ +175 | | °C |

(1) Measured at 1 MHz and applied reverse voltage of 4 V D.C

(2) P.C.B. mounted with 10cmX10cmX1mm copper pad areas.



Fig.1 TYPICAL FORWARD CURRENT DERATING CURVE

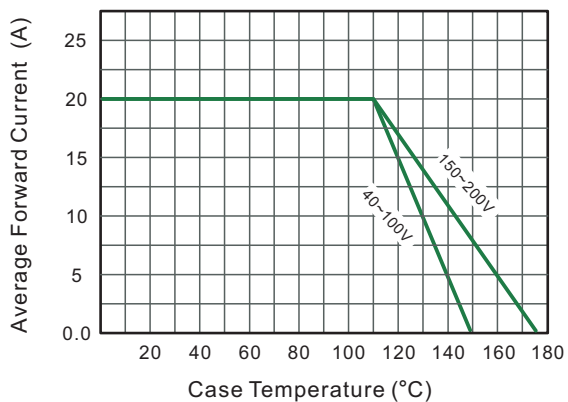


Fig.2 Typical Reverse Characteristics

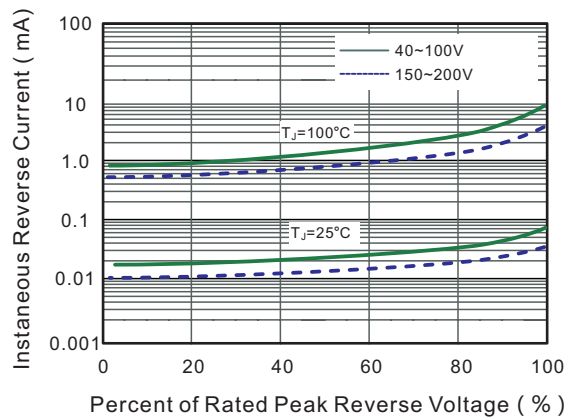


Fig.3 Typical Forward Characteristic(per leg)

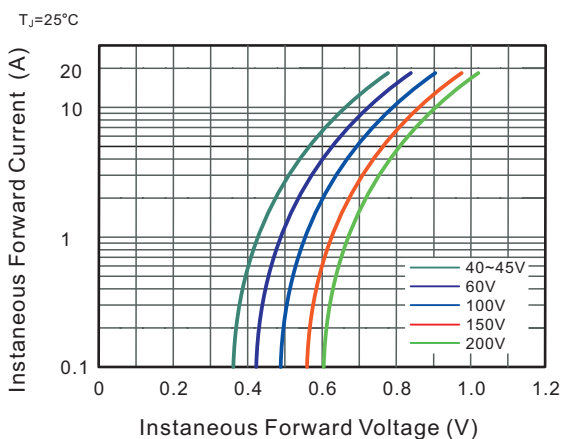


Fig.4 Typical Junction Capacitance

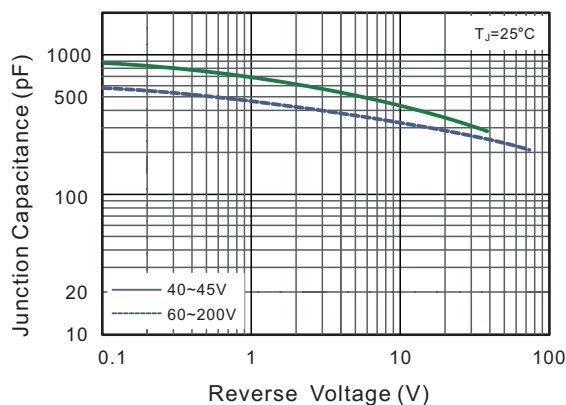


Fig.5 Maximum Non-Repetitive Peak Forward Surge Current

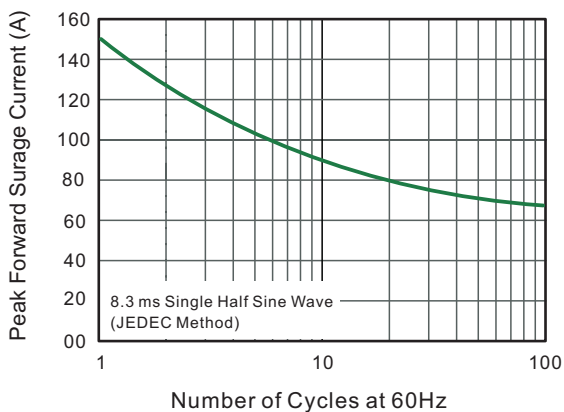
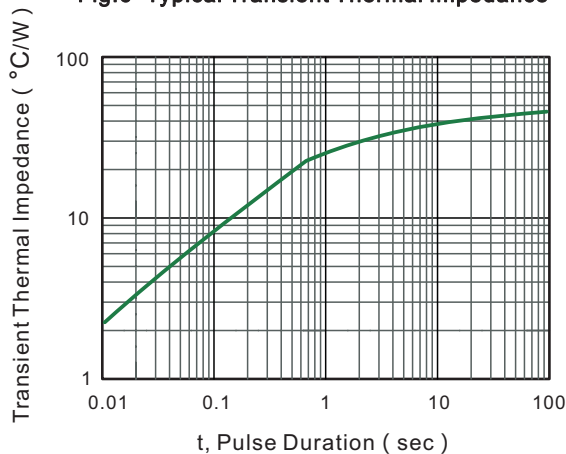


Fig.6- Typical Transient Thermal Impedance

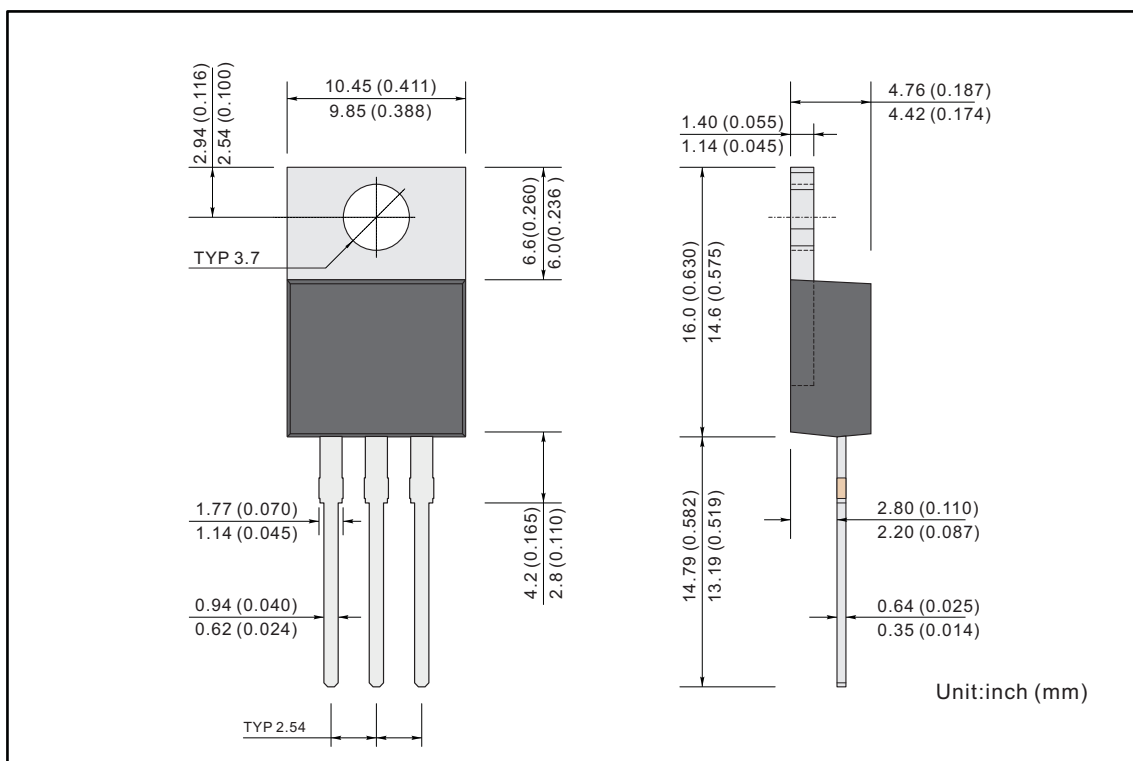




PACKAGE OUTLINE

Plastic surface mounted package; 3 leads

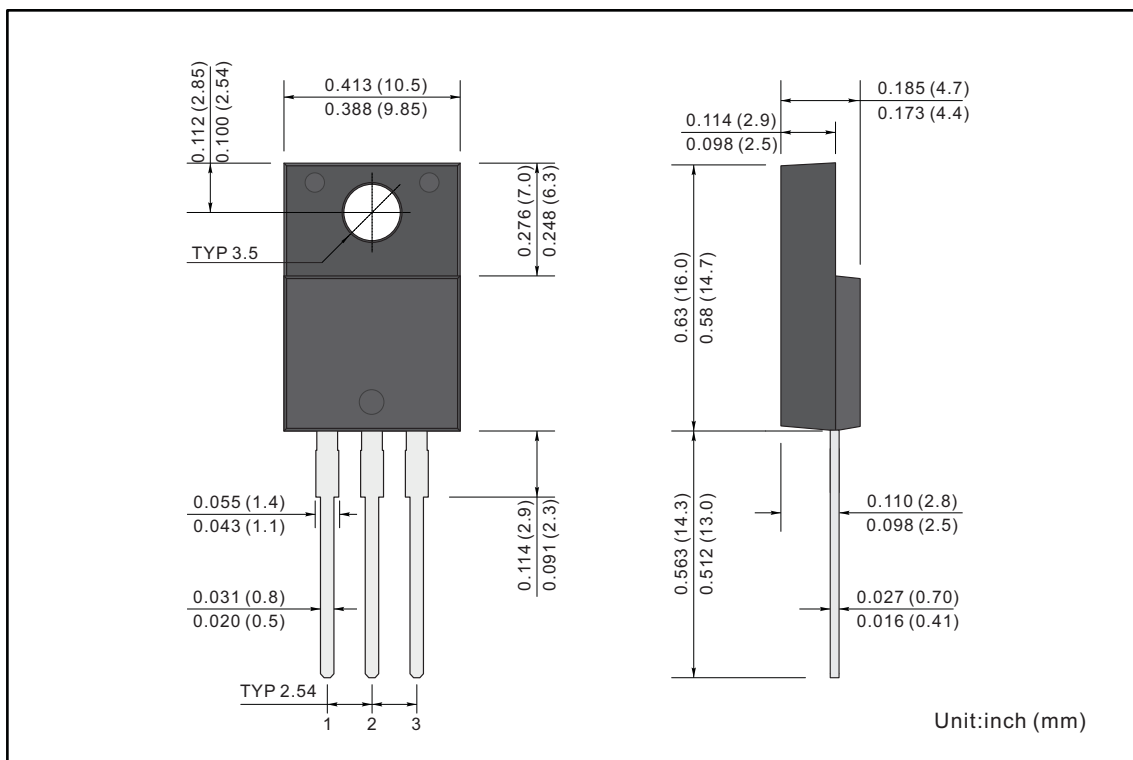
TO-220AB



PACKAGE OUTLINE

Plastic surface mounted package; 3 leads

ITO-220AB



单击下面可查看定价，库存，交付和生命周期等信息

[>>JINGDAO\(晶导微\)](#)