



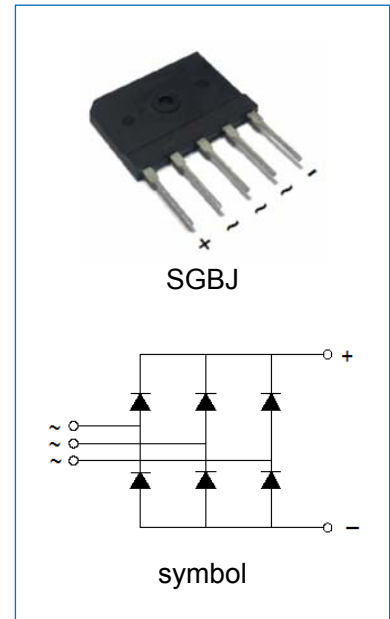
SGBJ3512~SGBJ3516

GLASS PASSIVATED THREE-PHASE BRIDGE RECTIFIER

Rev.2.1

DESCRIPTION:

- ✧ Plastic package has underwriters laboratory flammability classification 94V-0
- ✧ Glass passivated chip junction and high reliability
- ✧ Low forward voltage drop
- ✧ High current capability
- ✧ High reliability
- ✧ Isolation voltage:2500V~
- ✧ For use in high power supply inverters, servo motor and welding machine applications



MECHANICAL DATA

- ✧ Case: JEDEC SGBJ molded plastic
- ✧ Terminals: Solder plated, solderable per J-STD-002
- ✧ Polarity: Symbol marking on body.
- ✧ Weight: 9.95gram

ABSOLUTE MAXIMUM RATING AND ELECTRICAL CHARACTERISTICS

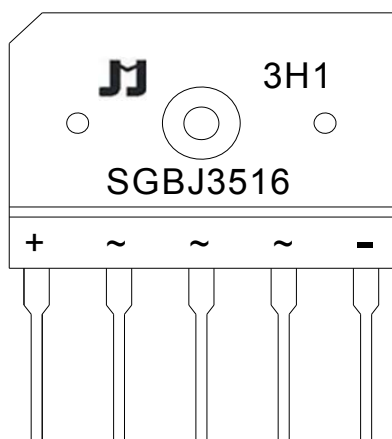
(Rating at 25°C ambient temperature unless otherwise specified.)

Parameter	Symbol	SGBJ3512	SGBJ3516	Unit
Maximum repetitive peak reverse voltage	V_{RRM}	1200	1600	V
Maximum RMS voltage	V_{RMS}	840	1120	V
Maximum DC blocking voltage	V_{DC}	1200	1600	V
Average rectified output current at $T_C=110^\circ C$	I_O	35		A
Peak forward surge current: 8.3ms single half sine-wave superimposed on rated load	I_{FSM}	400		A
Maximum forward voltage per diode @ $I_F=17.5A$	V_F	1.1		V
Maximum DC reverse current at rated DC blocking voltage	$T_j=25^\circ C$	I_R	5.0	μA
	$T_j=150^\circ C$		3.0	mA
Operating junction and storage temperature range	T_j, T_{stg}	-55 to +150		$^\circ C$

THERMAL RESISTANCES

Symbol	Parameter	SGBJ3512	SGBJ3516	Unit
$R_{th(j-c)}$	Junction to case	0.8		°C/W

MARKING



SGBJ	Package: SGBJ
35	$I_O=35A$
16	$V_{RRM}:1600V$

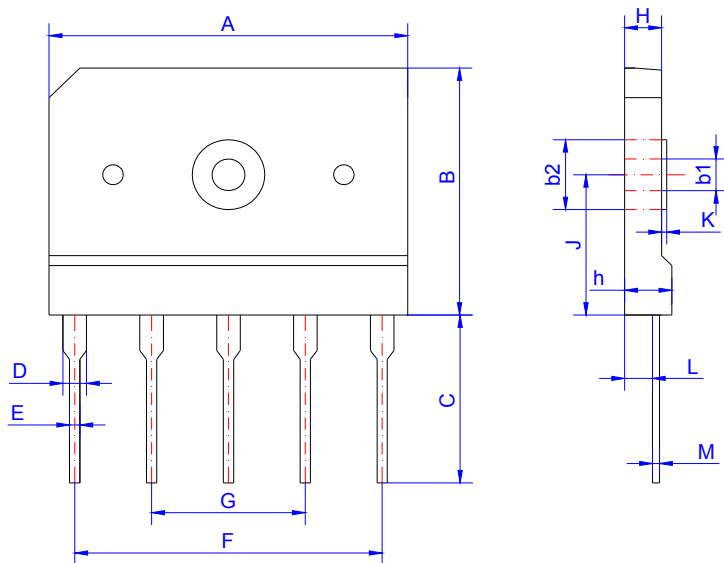
$\underline{x}H1$: Month, 1、2、3 ~ 9、A、B、C

$3\underline{x}1$:

2018	2019	2020	2021	2022	2023	2024
H	I	J	K	L	M	N
2025	2026	2027	2028	2029	2030	...
O	P	Q	R	S	T	...

$3H\underline{x}$: Batch number

PACKAGE MECHANICAL DATA



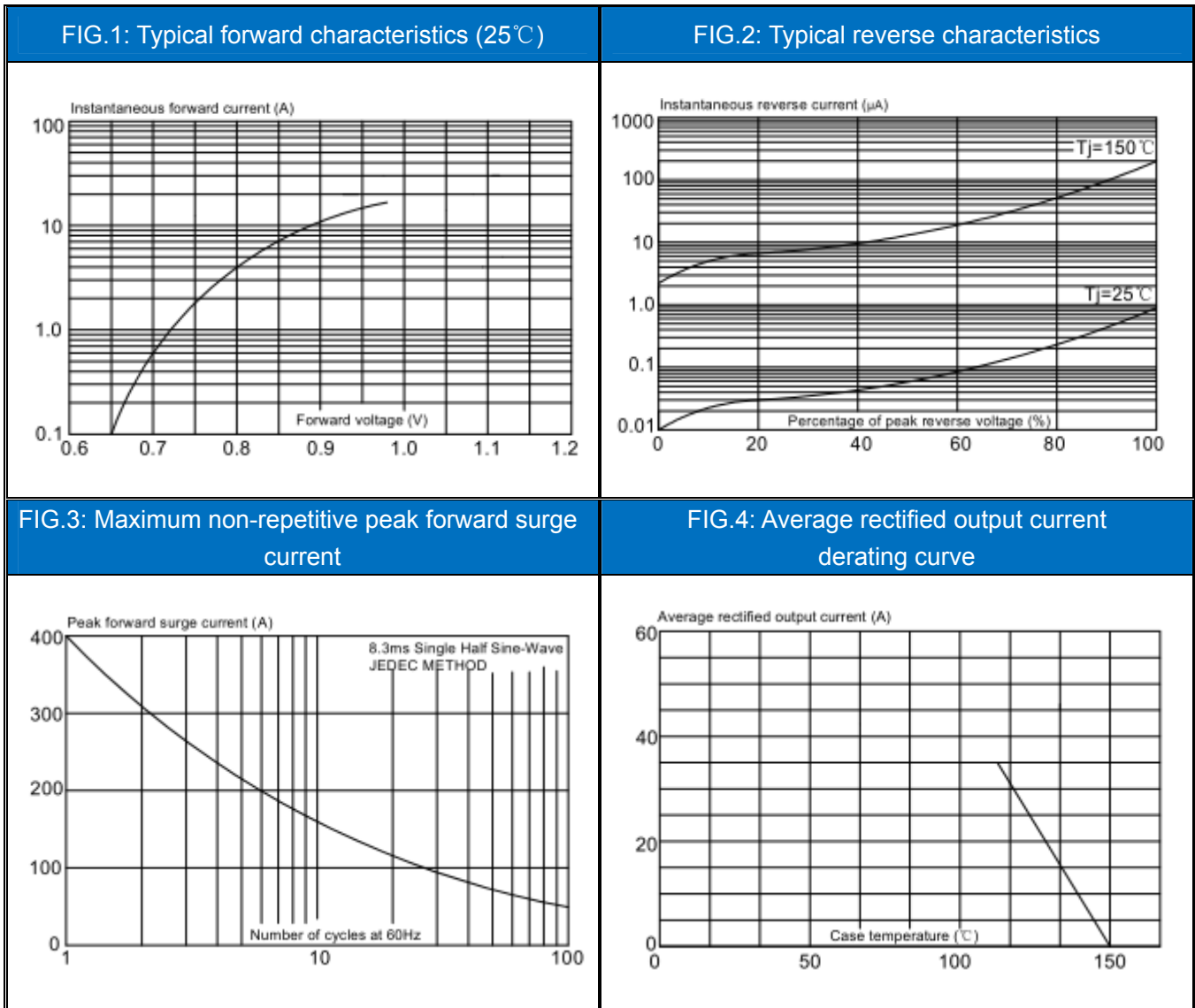
SGBJ

Ref.	Dimensions					
	Millimeters			Inches		
	Min.	Typ.	Max.	Min.	Typ.	Max.
A	34.70	35.00	35.30	1.366	1.378	1.390
B	24.70	25.00	25.30	0.972	0.984	0.996
b1	3.20	3.30	3.70	0.126	0.130	0.146
b2		7.10			0.280	
C	16.50	17.00	17.50	0.650	0.669	0.689
D		2.30			0.091	
E		1.00			0.039	
F	29.70	30.00	30.30	1.169	1.181	1.193
G	14.70	15.00	15.30	0.579	0.591	0.602
H	3.30	3.60	3.90	0.130	0.142	0.154
h	4.30	4.60	4.90	0.169	0.181	0.193
J		14.20			0.559	
K		0.50			0.020	
L		2.70			0.106	
M		0.70			0.028	

PACKAGE INFORMATION-SGBJ

OUTLINE	UNIT WEIGHT (g/PCS) typ.	INNER BOX (PCS)	PER CARTON (PCS)
Bulk	9.95	100	1000

CHARACTERITICS CURVE




Information furnished in this document is believed to be accurate and reliable. However, Jiangsu JieJie Microelectronics Co.,Ltd assumes no responsibility for the consequences of use without consideration for such information nor use beyond it.

Information mentioned in this document is subject to change without notice, apart from that when an agreement is signed, Jiangsu JieJie complies with the agreement.

Products and information provided in this document have no infringement of patents. Jiangsu JieJie assumes no responsibility for any infringement of other rights of third parties which may result from the use of such products and information.

This document is the 2.1st version which is made in 28-May-2019. This document supersedes and replaces all information previously supplied.

 is a registered trademark of Jiangsu JieJie Microelectronics Co.,Ltd.

Copyright ©2019 Jiangsu JieJie Microelectronics Co.,Ltd. Printed All rights reserved.

单击下面可查看定价，库存，交付和生命周期等信息

[>>JW\(捷捷微\)](#)