



## BAV21W SURFACE MOUNT SWITCHING DIODE

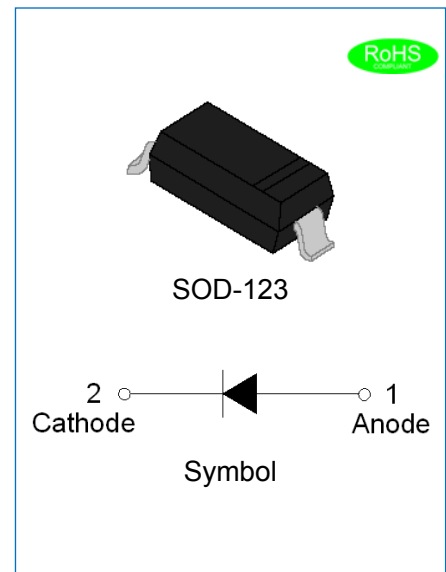
Rev.1.0

### FEATURES

- ✧ Fast Switching Speed
- ✧ Surface Mount Package Ideally Suited for Automatic Insertion
- ✧ For Surface Mounted Applications
- ✧ General Purpose Diodes
- ✧ RoHS Compliant/ Green EMC

### MECHANICAL DATA

- ✧ Case: SOD-123, Plastic
- ✧ Matte Tin(Sn) Lead Finish
- ✧ Polarity: Cathode Band
- ✧ Weight: 0.01 grams(approx.)
- ✧ Quantity Per Reel:3,000pcs
- ✧ Type Code: T3



### MAXIMUM RATING

(Rating at 25°C ambient temperature unless otherwise specified.)

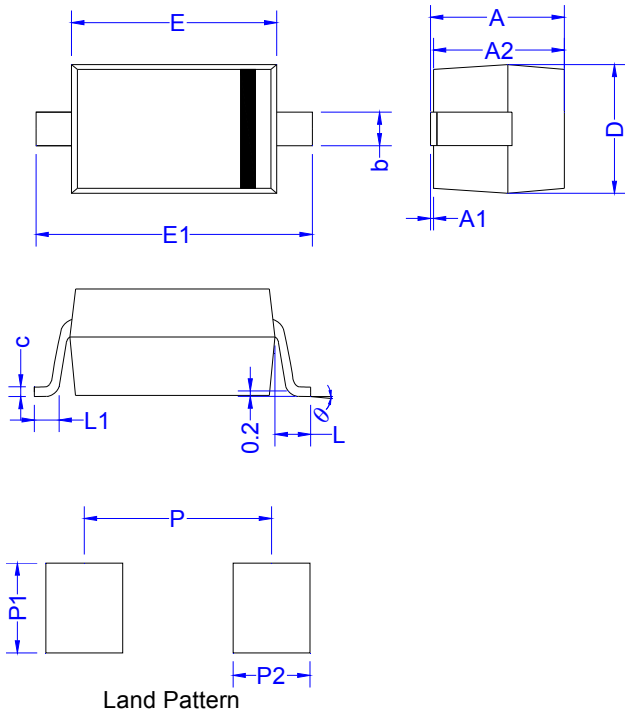
| Parameter   | Symbol          | BAV21W      | Unit               |
|---|-----------------|-------------|--------------------|
| Continuous Reverse Voltage  | $V_R$           | 200         | V                  |
| Peak Repetitive Reverse Voltage   | $V_{RM}$        | 250         | V                  |
| Forward DC Current at $T_A=25^\circ\text{C}$  | $I_F$           | 250         | mA                 |
| Average Rectified Current Half Wave Rectification with Resist. Load at $T_A=25^\circ\text{C}$ | $I_{F(AV)}$     | 200         | mA                 |
| Non-Repetitive Forward Surge Current at $t_P=1\text{s}$                                       | $I_{FSM}$       | 1           | A                  |
| Power Dissipation at $T_A=25^\circ\text{C}$   | $P_D$           | 410         | mW                 |
| Thermal Resistance (Junction to Ambient)  | $R_{\theta JA}$ | 305         | $^\circ\text{C/W}$ |
| Operating Junction Temperature Range  | $T_j$           | -55 to +150 | $^\circ\text{C}$   |
| Storage Temperature Range   | $T_{stg}$       | -55 to +150 | $^\circ\text{C}$   |

**ELECTRICAL CHARACTERISTICS**

(Rating at 25°C ambient temperature unless otherwise specified.)

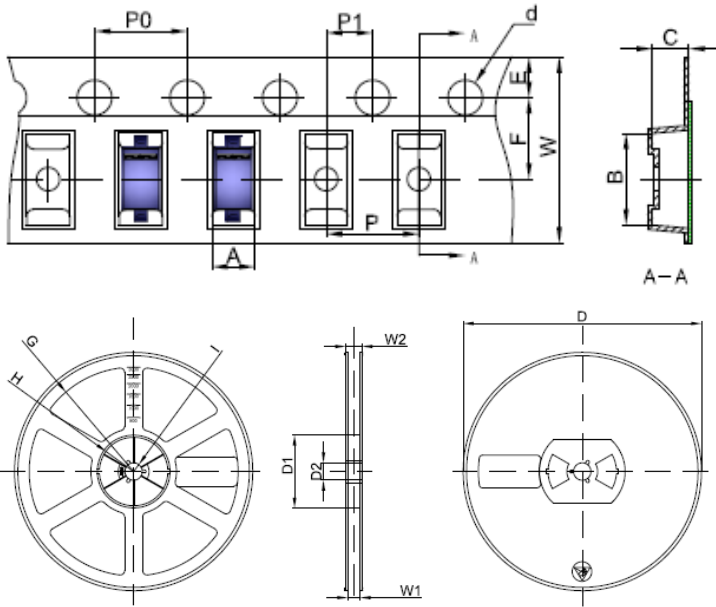
| Symbol          | Parameter             | Conditions   | Value |      |      | Unit |
|-----------------|-----------------------|--|-------|------|------|------|
|                 |                       |  | Min.  | Typ. | Max. |      |
| V <sub>F</sub>  | Forward Voltage       | I <sub>F</sub> =100mA  | -     | -    | 1.0  | V    |
|                 |                       | I <sub>F</sub> =200mA  | -     | -    | 1.25 | V    |
| I <sub>R</sub>  | Reverse Current       | V <sub>R</sub> =200V, T <sub>j</sub> =25°C   | -     | -    | 0.1  | μA   |
|                 |                       | V <sub>R</sub> =200V, T <sub>j</sub> =100°C  | -     | -    | 15   | μA   |
| C <sub>T</sub>  | Capacitance           | V <sub>R</sub> =0V, f=1MHz   | -     | 1.5  | -    | pF   |
| T <sub>rr</sub> | Reverse Recovery Time | I <sub>F</sub> =I <sub>R</sub> =30mA<br>I <sub>RR</sub> =0.1*I <sub>R</sub> , R <sub>L</sub> =100Ω | -     | -    | 50   | ns   |

**PACKAGE MECHANICAL DATA**



| Symbol | Millimeters |      | Inches     |       |
|--------|-------------|------|------------|-------|
|        | Min         | Max  | Min        | Max   |
| A      | 1.05        | 1.25 | 0.041      | 0.049 |
| A1     | 0.00        | 0.10 | 0.000      | 0.004 |
| A2     | 1.05        | 1.15 | 0.041      | 0.045 |
| b      | 0.45        | 0.65 | 0.018      | 0.026 |
| c      | 0.08        | 0.15 | 0.003      | 0.006 |
| D      | 1.50        | 1.70 | 0.059      | 0.067 |
| E      | 2.60        | 2.80 | 0.102      | 0.110 |
| E1     | 3.55        | 3.85 | 0.140      | 0.152 |
| L      | 0.50 REF.   |      | 0.020 REF. |       |
| L1     | 0.25        | 0.45 | 0.010      | 0.018 |
| θ      | 0°          | 8°   | 0°         | 8°    |
| P      | 3.24        |      | 0.128      |       |
| P1     | 1.00        |      | 0.039      |       |
| P2     | 0.80        |      | 0.031      |       |

TAPE AND REEL SPECIFICATION-SOD-123



| Symbol | Millimeters | Inches  |
|--------|-------------|---------|
|        | Typ.        | Typ.    |
| A      | 1.85        | 0.073   |
| B      | 3.95        | 0.156   |
| C      | 1.57        | 0.062   |
| d      | Φ1.55       | Φ 0.061 |
| E      | 1.75        | 0.069   |
| F      | 3.50        | 0.138   |
| P0     | 4.0         | 0.157   |
| P      | 4.0         | 0.157   |
| P1     | 2.0         | 0.079   |
| W      | 8.00        | 0.315   |
| D      | Φ178.0      | Φ7.008  |
| D1     | 54.40       | 2.142   |
| D2     | 13.0        | 0.512   |
| G      | R78.0       | R3.071  |
| H      | R25.60      | R1.008  |
| I      | R6.50       | R0.256  |
| W1     | 9.50        | 0.374   |
| W2     | 12.30       | 0.484   |

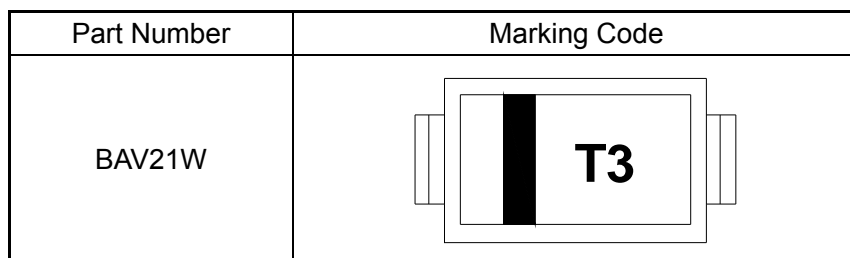
Packaging description:

SOD-123 parts are shipped in tape. The carrier tape is made from a dissipative(carbon filled) polycarbonate resin. The cover tape is a multilayer film(heat activated adhesive in nature)primarily composed of polyester film, adhesive layer, sealant, and anti-static sprayed agent. These reeled parts in standard option are shipped with 3,000 units per 7" or 17.8cm diameter reel. The reels are clear in color and made of polystyrene plastic(anti-static coated).

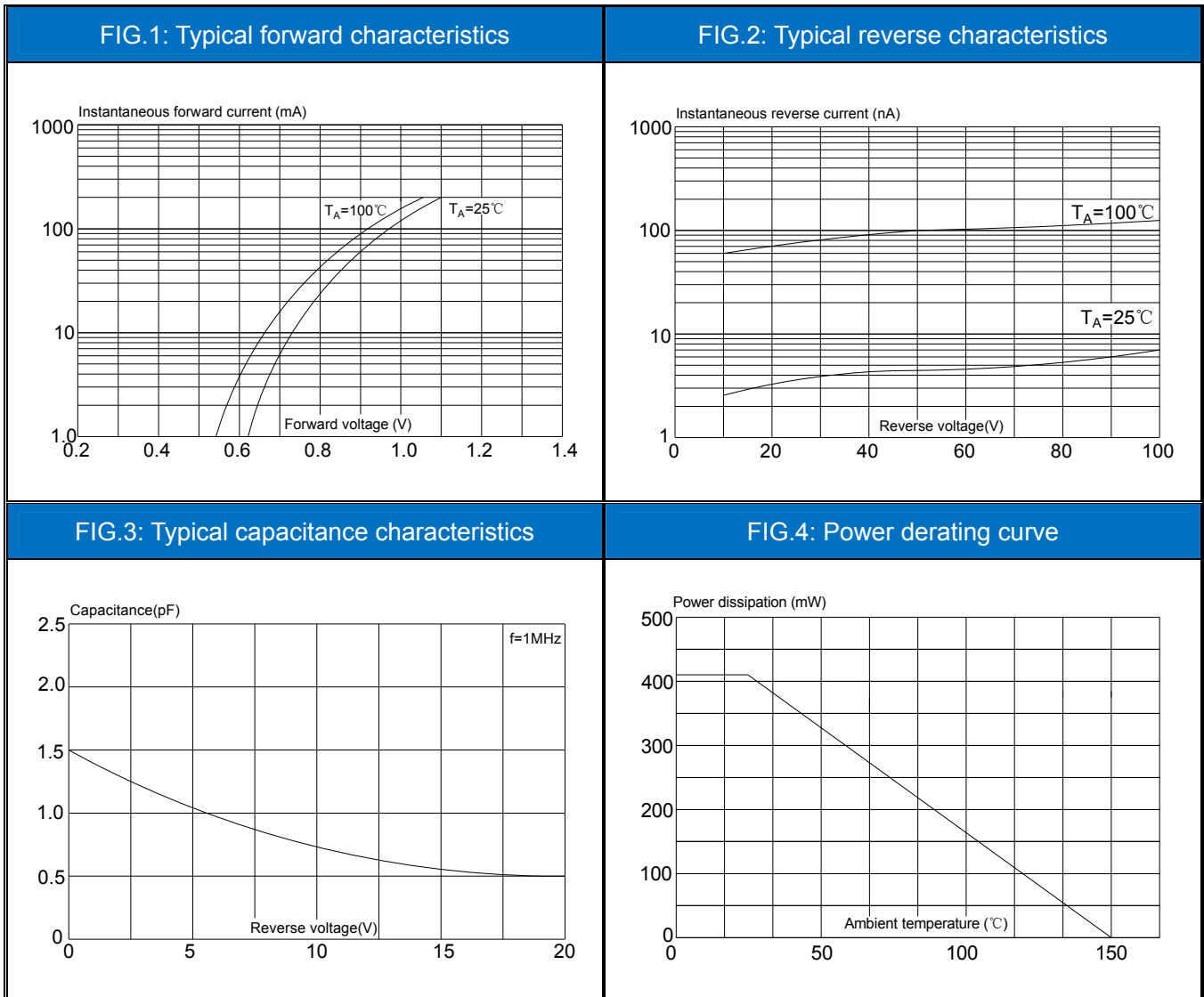
ORDERING INFORMATION

| OUTLINE | PACKAGE | REEL SIZE | QUANTITY PER REEL |
|---------|---------|-----------|-------------------|
| TAPING  | SOD-123 | 7 Inch    | 3,000PCS          |

MARKING CODE



CHARACTERISTICS CURVE




Information furnished in this document is believed to be accurate and reliable. However, Jiangsu JieJie Microelectronics Co.,Ltd assumes no responsibility for the consequences of use without consideration for such information nor use beyond it.

Information mentioned in this document is subject to change without notice, apart from that when an agreement is signed, Jiangsu JieJie complies with the agreement.

Products and information provided in this document have no infringement of patents. Jiangsu JieJie assumes no responsibility for any infringement of other rights of third parties which may result from the use of such products and information.

This document is the first version which is made in 16-Dec.-2019. This document supersedes and replaces all information previously supplied.

 is a registered trademark of Jiangsu JieJie Microelectronics Co.,Ltd.

Copyright ©2019 Jiangsu JieJie Microelectronics Co.,Ltd. Printed All rights reserved.

单击下面可查看定价，库存，交付和生命周期等信息

[>>JW\(捷捷微\)](#)