

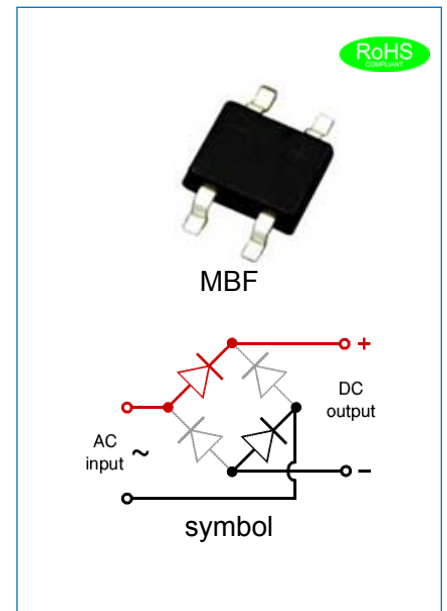


MB2F~MB10F GLASS PASSIVATED BRIDGE RECTIFIERS

Rev.4.1

DESCRIPTION:

- ✧ Plastic package has underwriters laboratory flammability classification 94V-0
- ✧ Lead free in comply with EU RoHS 2011/65/EU directives
- ✧ Glass passivated chip junction
- ✧ Lead tin plated copper
- ✧ Ideal for automatic placement
- ✧ High surge forward current capability
- ✧ Reliable low cost construction utilizing molded plastic technique
- ✧ General purpose use in AC/DC bridge full wave rectification, for SMPS, lighting ballaster, adapter, etc.



MECHANICAL DATA

- ✧ Case: MBF molded plastic
- ✧ Terminals: Solder plated, solderable per J-STD-002
- ✧ Polarity: Polarity symbol marking on body.
- ✧ Weight:0.075gram

ABSOLUTE MAXIMUM RATING AND ELECTRICAL CHARACTERISTICS

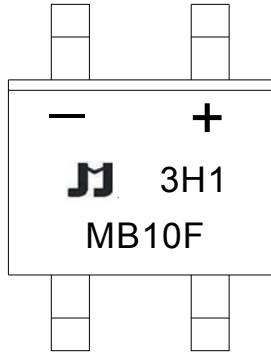
(Rating at 25°C ambient temperature unless otherwise specified.)

Parameter	Symbol	MB2F	MB4F	MB6F	MB8F	MB10F	Unit
Maximum repetitive peak reverse voltage	V_{RRM}	200	400	600	800	1000	V
Maximum RMS voltage	V_{RMS}	140	280	420	560	700	V
Maximum DC blocking voltage	V_{DC}	200	400	600	800	1000	V
Average rectified output current at $T_A=40^\circ C$	I_o	1.0					A
Peak forward surge current: 8.3ms single half sine-wave superimposed on rated load (JEDEC method)	I_{FSM}	35					A
Maximum forward voltage per diode @ $I_F=1.0A$	V_F	1.1					V
Maximum DC reverse current at rated DC blocking voltage per diode	$T_j=25^\circ C$	5					μA
	$T_j=125^\circ C$	500					μA
Typical junction capacitance $V_R=4.0V, f=1MHz$	C_J	10					pF
Operating junction and storage temperature range	T_J, T_{STG}	-55 to +150					$^\circ C$

THERMAL RESISTANCES

Symbol	Parameter	MB2F	MB4F	MB6F	MB8F	MB10F	Unit
$R_{th(j-c)}$	Junction to case	75					°C/W

MARKING



MB	MB Series
10	$V_{RRM}:1000V$
F	Package: MBF

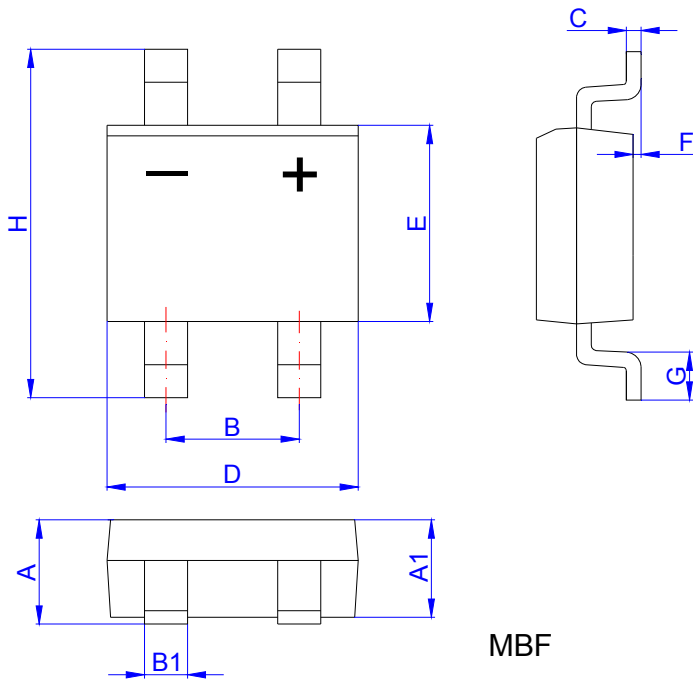
$xH1$: Month, 1、2、3 ~ 9、A、B、C

$3x1$:

2018	2019	2020	2021	2022	2023	2024
H	I	J	K	L	M	N
2025	2026	2027	2028	2029	2030	...
O	P	Q	R	S	T	...

$3Hx$: Batch number

PACKAGE MECHANICAL DATA



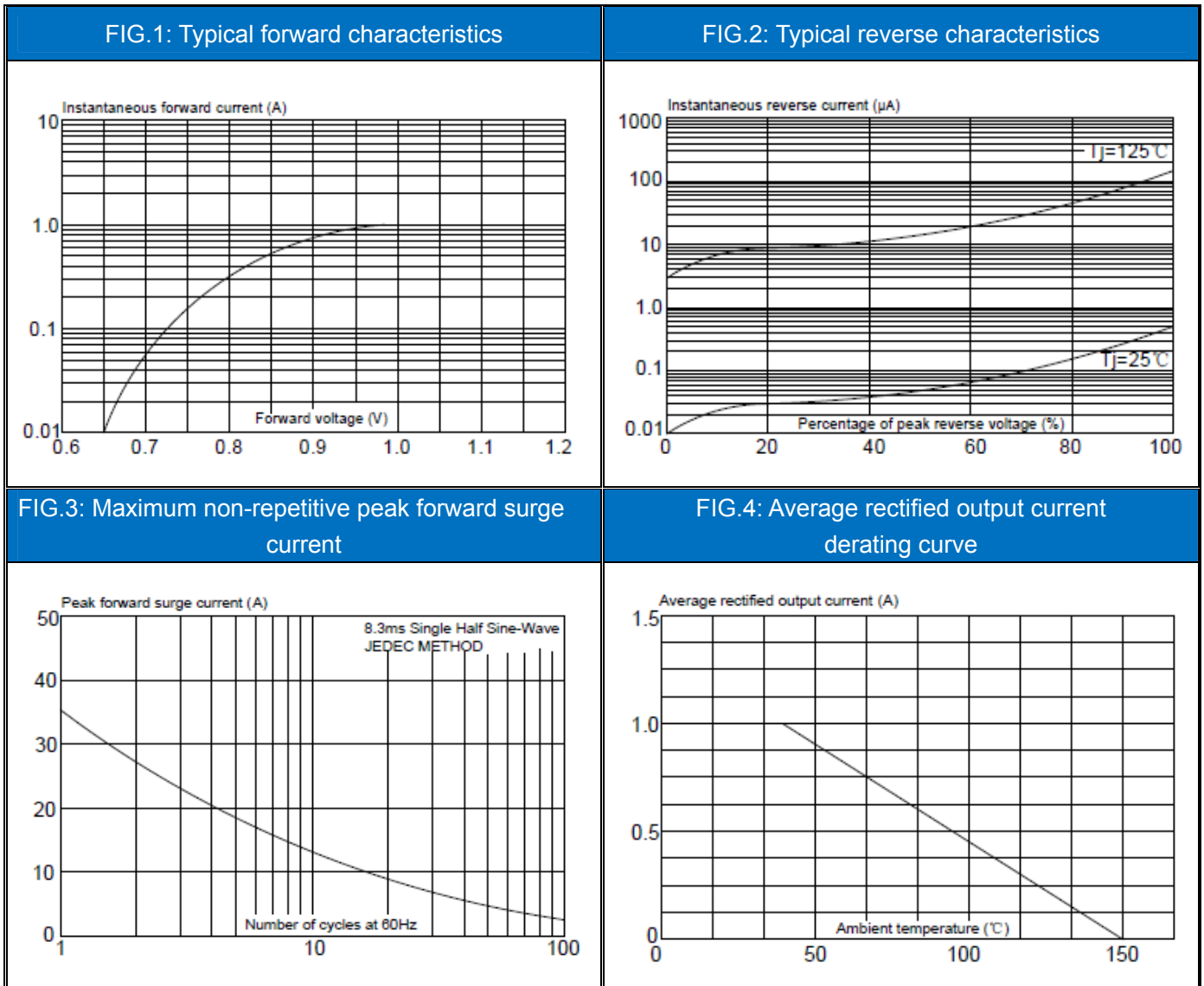
Ref.	Dimensions			
	Millimeters		Inches	
	Min.	Max.	Min.	Max.
A	1.40	1.80	0.055	0.071
A1	1.20	1.60	0.047	0.063
B	2.30	2.70	0.091	0.106
B1	0.45	0.75	0.018	0.030
C	0.15	0.35	0.006	0.014
D	4.60	5.00	0.181	0.197
E	3.60	4.00	0.142	0.157
F		0.20		0.008
G	0.70	1.10	0.028	0.043
H	6.60	7.00	0.260	0.276

MBF

PACKAGE INFORMATION-MBF

OUTLINE	UNIT WEIGHT (g/PCS) typ.	REEL (PCS)	PER CARTON (PCS)
TAPING	0.075	5,000	80,000

CHARACTERISTICS CURVE



Information furnished in this document is believed to be accurate and reliable. However, Jiangsu JieJie Microelectronics Co.,Ltd assumes no responsibility for the consequences of use without consideration for such information nor use beyond it.

Information mentioned in this document is subject to change without notice, apart from that when an agreement is signed, Jiangsu JieJie complies with the agreement.

Products and information provided in this document have no infringement of patents. Jiangsu JieJie assumes no responsibility for any infringement of other rights of third parties which may result from the use of such products and information.

This document is the 4.1st version which is made in 29-Apr.-2019. This document supersedes and replaces all information previously supplied.

 is a registered trademark of Jiangsu JieJie Microelectronics Co.,Ltd.

Copyright ©2019 Jiangsu JieJie Microelectronics Co.,Ltd. Printed All rights reserved.

单击下面可查看定价，库存，交付和生命周期等信息

[>>JW\(捷捷微\)](#)