



## GP1606E~GP1620E GENERAL PURPOSE RECTIFIER

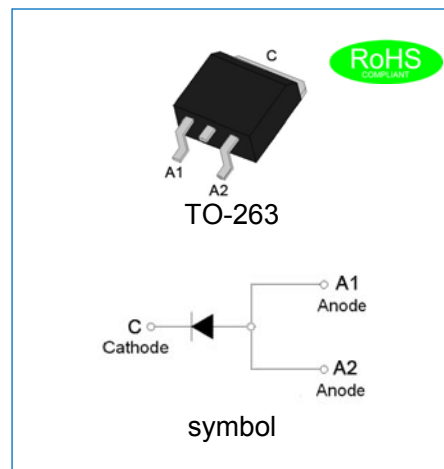
Rev.1.0

### DESCRIPTION:

- ✧ Plastic package has underwriters laboratories flammability classification 94V-0
- ✧ Glass passivated chip junction
- ✧ Lead free in compliance with EU RoHS 2011/65/EU directive

### MECHANICAL DATA

- ✧ Case: TO-263, molded plastic over passivated junction
- ✧ Terminals: Solder plated, solderable per J-STD-002
- ✧ Weight: 1.514 gram



### ABSOLUTE MAXIMUM RATING AND ELECTRICAL CHARACTERISTICS

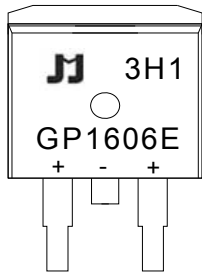
(Rating at 25°C ambient temperature unless otherwise specified.)

Parameter	Symbol	GP1606E	GP1608E	GP1610E	GP1612E	GP1616E	GP1620E	Unit
Maximum repetitive peak reverse voltage	$V_{RRM}$	600	800	1000	1200	1600	2000	V
Maximum RMS voltage	$V_{RMS}$	420	560	700	840	1120	1400	V
Maximum DC blocking voltage	$V_{DC}$	600	800	1000	1200	1600	2000	V
Maximum average forward current at $T_L=100^\circ\text{C}$	$I_{F(AV)}$	16						A
Peak forward surge current: 8.3ms single half sine-wave superimposed on rated load (JEDEC method)	$I_{FSM}$	250				160		A
Maximum forward voltage @ $I_F=16\text{A}$	$V_F$	1.2						V
Maximum DC reverse current at rated DC blocking voltage	$I_R$	$T_j=25^\circ\text{C}$						$\mu\text{A}$
		$T_j=150^\circ\text{C}$						mA
Typical junction capacitance $V_R=4.0\text{V}$ , $f=1\text{MHz}$	$C_J$	85						pF
Operating junction and storage temperature range	$T_J, T_{STG}$	-55 to +150						$^\circ\text{C}$

THERMAL RESISTANCES

Symbol	Parameter	GP1606E	GP1608E	GP1610E	GP1612E	GP1616E	GP1620E	Unit
R <sub>th(j-c)</sub>	Junction to case	4						°C/W

MARKING



G	General Purpose Rectifier
P	Pin
16	I <sub>F(AV)</sub> =16A
06	V <sub>RRM</sub> :600V
E	Package: TO-263

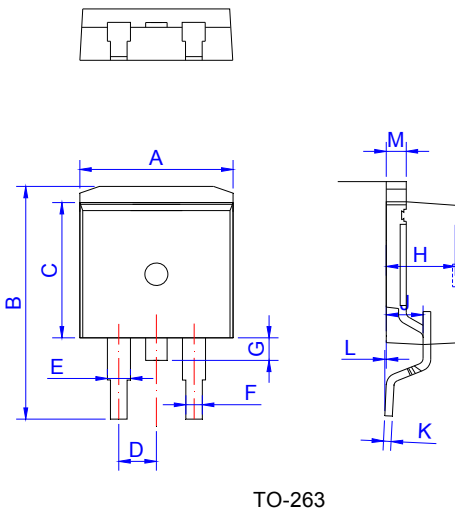
xH1: Month, 1、2、3 ~ 9、A、B、C

3x1:

2018	2019	2020	2021	2022	2023	2024
H	I	J	K	L	M	N
2025	2026	2027	2028	2029	2030	...
O	P	Q	R	S	T	...

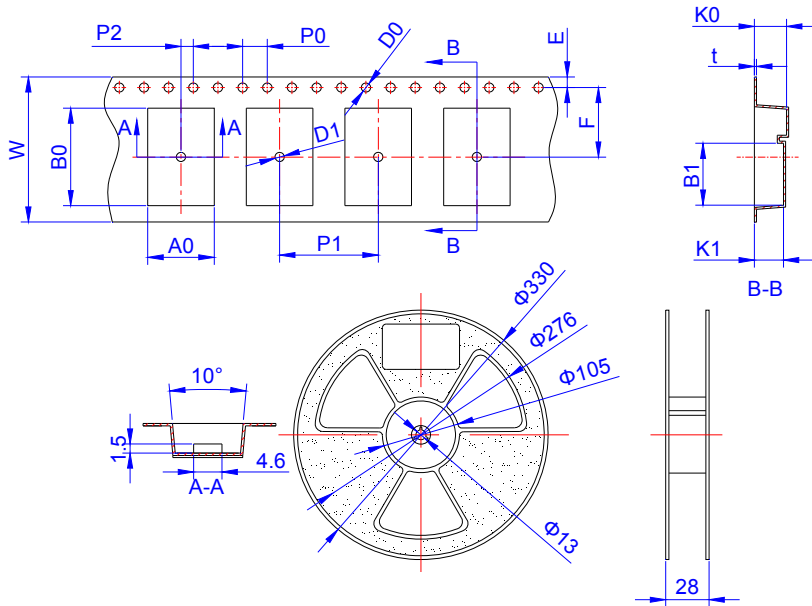
3Hx: Batch number

PACKAGE MECHANICAL DATA



Ref.	Dimensions					
	Millimeters			Inches		
	Min.	Typ.	Max.	Min.	Typ.	Max.
A	9.90		10.20	0.390		0.402
B	14.70		15.80	0.579		0.622
C	8.80		9.60	0.346		0.378
D		2.54			0.100	
E	1.20		1.40	0.047		0.055
F	0.75		0.85	0.030		0.033
G			1.75			0.069
H	4.40		4.70	0.173		0.185
J	2.30		2.70	0.091		0.106
K	0.38		0.55	0.015		0.022
L	0	0.10	0.25	0	0.004	0.010
M	1.17		1.37	0.046		0.054

TAPE AND REEL SPECIFICATION-TO-263

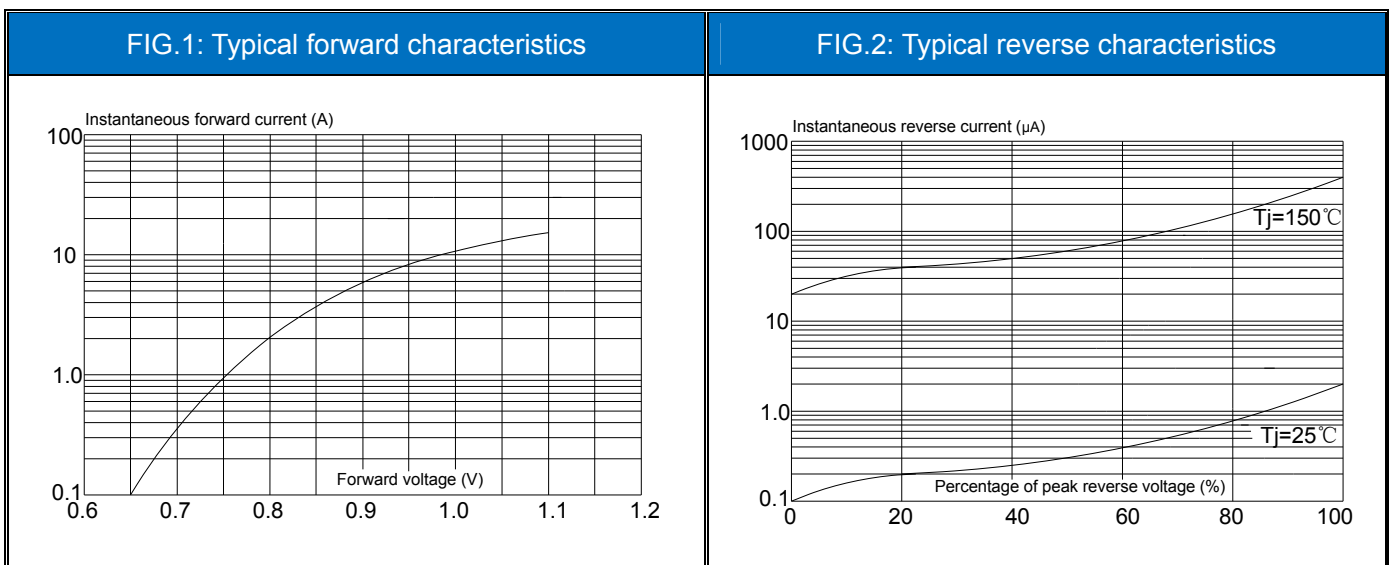


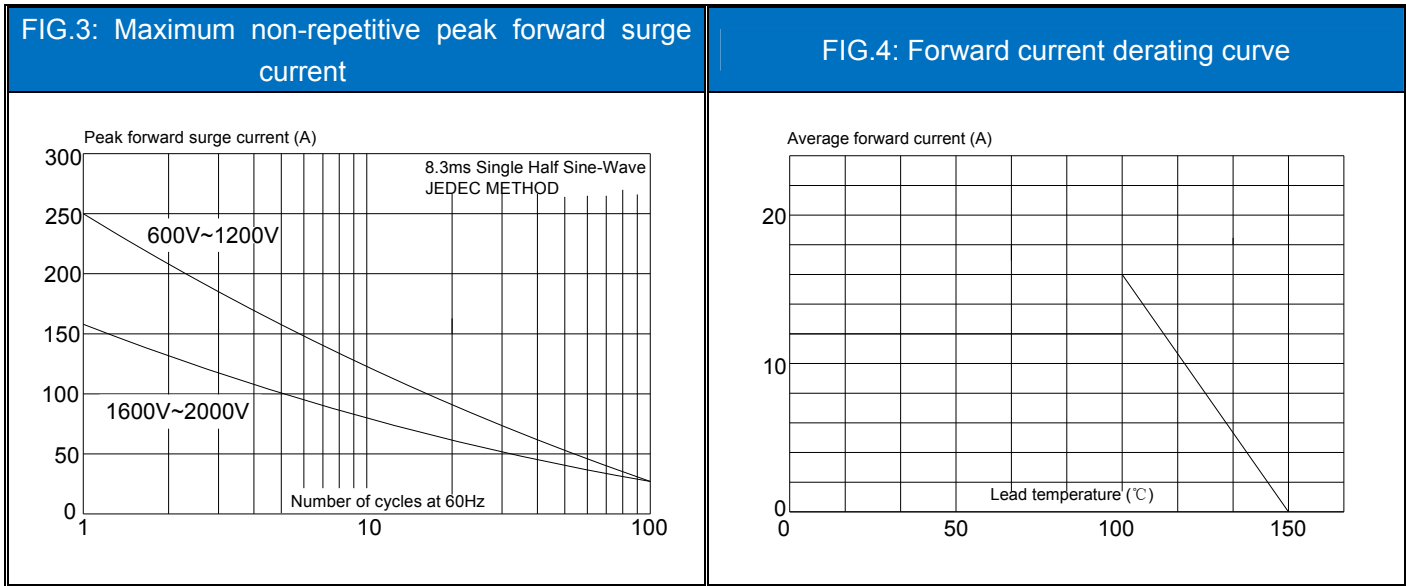
Ref.	Dimensions	
	Millimeters	Inches
W	24.00±0.30	0.945±0.012
E	1.75±0.10	0.069±0.004
F	11.50±0.10	0.453±0.004
D0	1.50±0.10	0.059±0.004
D1	1.50±0.10	0.059±0.004
P0	4.00±0.10	0.157±0.004
P1	16.00±0.10	0.630±0.004
P2	2.00±0.10	0.079±0.004
A0	10.80±0.10	0.425±0.004
B0	16.13±0.10	0.635±0.004
B1	10.24±0.20	0.403±0.008
K0	5.21±0.10	0.205±0.004
K1	4.70±0.10	0.185±0.004
t	0.35±0.05	0.014±0.002

PACKAGE INFORMATION-TO-263

PART No.	UNIT WEIGHT (g/PCS) typ.	TUBE (PCS)	PER CARTON (PCS)
GP1606E~GP1620E	1.514	50	5,000
PART No.	UNIT WEIGHT (g/PCS) typ.	REEL (PCS)	PER CARTON (PCS)
GP1606E-R~GP1620E-R	1.514	800	8,000

CHARACTERISTICS CURVE





JieJie products are not designed for, and shall not be used for, any purpose (including, without limitation, automotive, military, aerospace, medical, life-saving, life-sustaining or nuclear facility applications, devices intended for surgical implant into the body, or any other application in which the failure or lack of desired operation of the product may result in personal injury, death, or property damage) other than those expressly set forth in applicable JieJie product documentation. Warranties granted by JieJie shall be deemed void for products used for any purpose not expressly set forth in applicable JieJie documentation. JieJie shall not be liable for any claims or damages arising out of products used in applications not expressly intended by JieJie as set forth in applicable JieJie documentation. The sale and use of JieJie products is subject to JieJie terms and conditions of sale, unless otherwise agreed by JieJie.

Information furnished in this document is believed to be accurate and reliable. However, Jiangsu JieJie Microelectronics Co.,Ltd assumes no responsibility for the consequences of use without consideration for such information nor use beyond it.

Information mentioned in this document is subject to change without notice, apart from that when an agreement is signed, Jiangsu JieJie complies with the agreement.

Products and information provided in this document have no infringement of patents. Jiangsu JieJie assumes no responsibility for any infringement of other rights of third parties which may result from the use of such products and information.

This document is the first version which is made in 21-Mar.-2022. This document supersedes and replaces all information previously supplied.

 is a registered trademark of Jiangsu JieJie Microelectronics Co.,Ltd.

Copyright ©2022 Jiangsu JieJie Microelectronics Co.,Ltd. Printed All rights reserve.

单击下面可查看定价，库存，交付和生命周期等信息

[>>JW\(捷捷微\)](#)