



## JSTDF140A

### 1A Schottky Barrier Rectifier

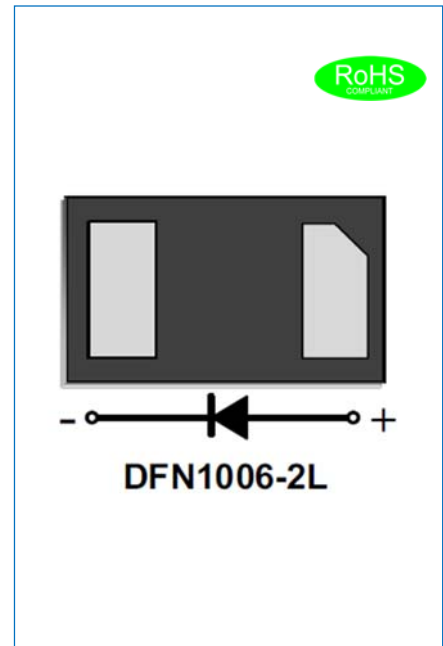
Rev.1.0

#### DESCRIPTION

- ✧ Trench MOS schottky technology
- ✧ Low forward voltage
- ✧ Low current leakage
- ✧ Plastic package has underwriters laboratories flammability classification 94V-0
- ✧ For surface mounted applications in order to optimize board space
- ✧ Lead free in compliance with EU RoHS 2011/65/EU directive

#### APPLICATIONS

- ✧ Low current rectification
- ✧ Switch mode power supply
- ✧ Inverse polarity protection
- ✧ Low power consumption applications



#### ABSOLUTE MAXIMUM RATING (Rating at 25°C ambient temperature unless otherwise specified.)

Parameter	Symbol	JSTDF140A	Unit
Peak repetitive peak reverse voltage	$V_R$	40	V
Mean rectifying current	$I_o$	1	A
Power dissipation	$P_D$	200	mW
Maximum average forward current	$I_{F(AV)}$	1.0	A
Non-repetitive peak forward surge current @ $t_P=8.3ms$	$I_{FSM}$	7	A
Operating junction temperature	$T_j$	125	°C
Storage temperature range	$T_{stg}$	-55 to +125	°C



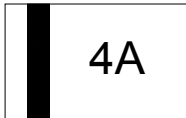
## ELECTRICAL CHARACTERISTICS (Rating at 25°C ambient temperature unless otherwise specified.)

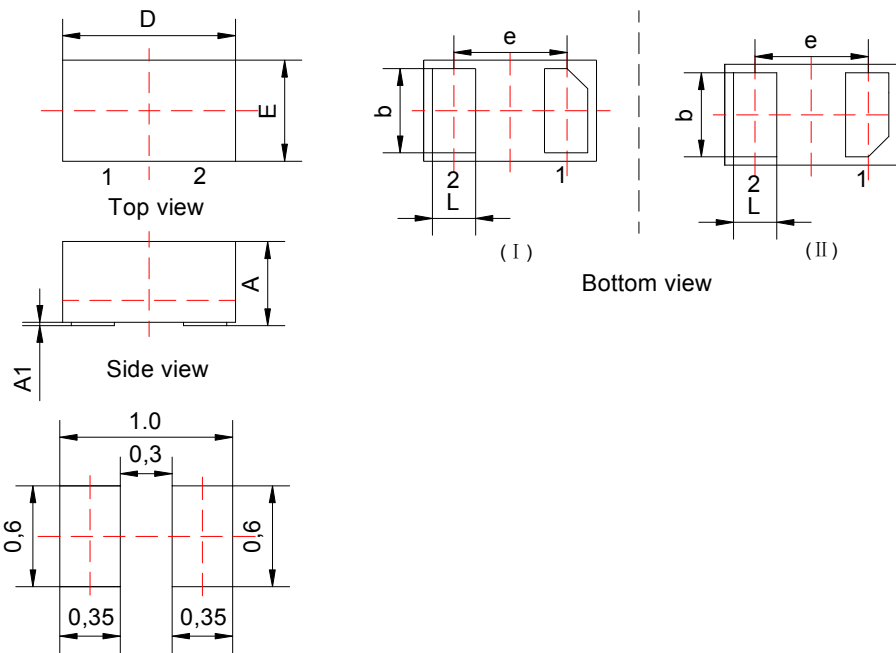
Parameter		Symbol	Min	Typ	Max	Unit
Reverse breakdown voltage	$I_R = 1\text{mA}$	$V_{BR}$	40	-	-	V
Forward voltage	$I_F = 0.1\text{A}$	$V_F$	-	0.35	0.38	V
	$I_F = 0.2\text{A}$		-	0.38	0.42	
	$I_F = 0.5\text{A}$		-	0.46	0.49	
	$I_F = 0.7\text{A}$		-	0.52	0.55	
	$I_F = 1\text{A}$		-	0.58	0.61	
Reverse voltage leakage current	$V_R = 40\text{V}$	$I_R$	-	10	40	$\mu\text{A}$

## THERMAL RESISTANCES

Symbol	Parameter	JSTDF140A	Unit
$R_{th(j-a)}$	Junction to ambient	400	$^{\circ}\text{C}/\text{W}$

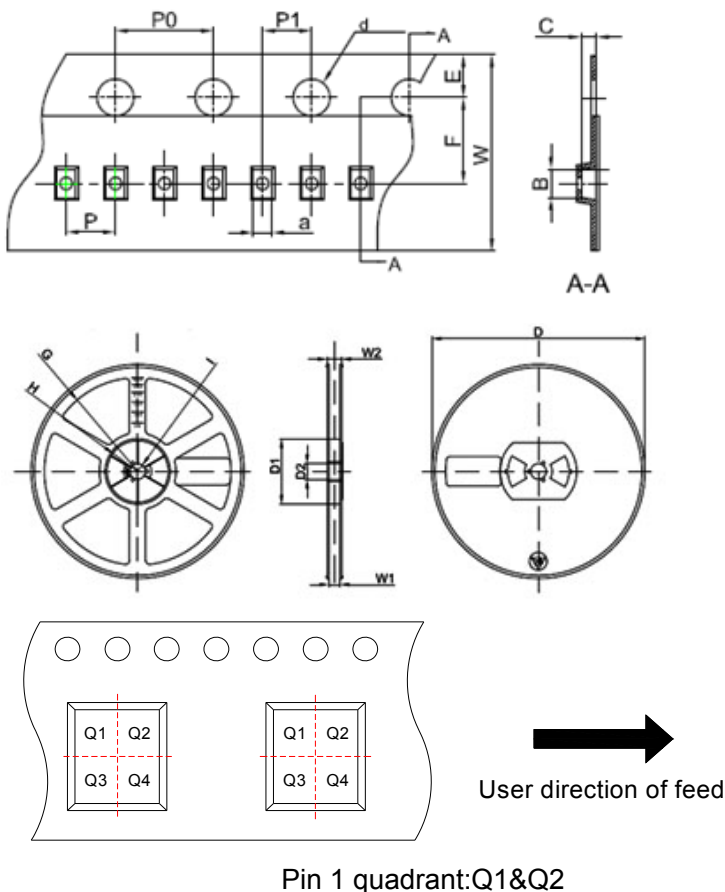
## MARKING

Part Number	Marking Code
JSTDF140A	

**PACKAGE MECHANICAL DATA**


Recommended soldering footprint(mm)

Symbol	Millimeters			Inches		
	Min.	Typ.	Max.	Min.	Typ.	Max.
A	0.40	0.50	0.55	0.016	0.020	0.022
A1	0.00	0.02	0.05	0.000	0.001	0.002
b	0.45	0.50	0.55	0.018	0.020	0.022
D	0.95	1.00	1.05	0.037	0.039	0.041
e	0.65BSC			0.026BSC		
E	0.55	0.60	0.65	0.022	0.024	0.026
L	0.20	0.25	0.30	0.008	0.010	0.012

**TAPE AND REEL INFORMATION-DFN1006-2L**

**Packaging Description:**

DFN1006-2L parts are shipped in tape. The carrier tape is made from a dissipative(carbon filled) polycarbonate resin. The cover tape is a multilayer film(heat activated adhesive in nature)primarily composed of polyester film, adhesive layer, sealant, and anti-static sprayed agent. These reeled parts in standard option are shipped with 10,000units per 7" or 17.8cm diameter reel. The reels are clear in color and made of polystyrene plastic(anti-static coated).

Symbol	Millimeters	Inches
	Typ.	Typ.
a	0.66	0.026
B	1.15	0.045
C	0.66	0.026
d	Φ1.50	Φ0.059
E	1.75	0.069
F	3.50	0.138
P0	4.00	0.157
P	2.00	0.079
P1	2.00	0.079
W	8.00	0.315
D	Φ178	Φ7.008
D1	54.40	2.142
D2	13.00	0.512
G	R78.00	R3.071
H	R25.60	R1.008
I	R6.50	R0.256
W1	9.50	0.374
W2	12.30	0.484

**ORDERING INFORMATION**

PART No.	PACKAGE TYPE	QUANTITY(PCS) REEL	DESCRIPTION
JSTDF140A	DFN1006-2L	10,000	7 inch reel pack




Information furnished in this document is believed to be accurate and reliable. However, Jiangsu JieJie Microelectronics Co.,Ltd assumes no responsibility for the consequences of use without consideration for such information nor use beyond it.

Information mentioned in this document is subject to change without notice, apart from that when an agreement is signed, Jiangsu JieJie complies with the agreement.

Products and information provided in this document have no infringement of patents. Jiangsu JieJie assumes no responsibility for any infringement of other rights of third parties which may result from the use of such products and information.

This document is the first version which is made in 3-Aug.-2020. This document supersedes and replaces all information previously supplied.

 is a registered trademark of Jiangsu JieJie Microelectronics Co.,Ltd.

Copyright ©2020 Jiangsu JieJie Microelectronics Co.,Ltd. Printed All rights reserved.

单击下面可查看定价，库存，交付和生命周期等信息

[>>JJW\(捷捷微\)](#)