



JST04K-800CW 4A TRIACs

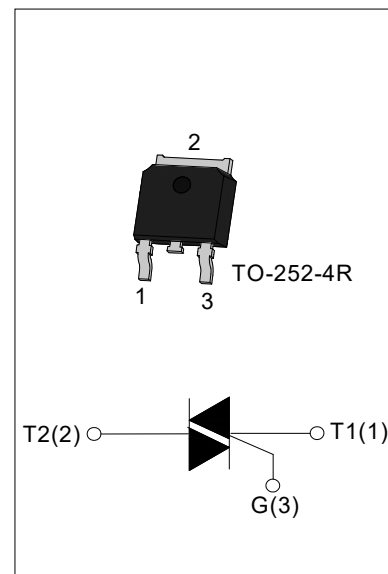
Rev.1

DESCRIPTION:

With high ability to withstand the shock loading of large current, JST04K-800CW triacs provide high dv/dt rate with strong resistance to electromagnetic interface. With high commutation performances, especially recommended for use on inductive load. Package TO-252-4R is RoHS compliant. (2011/65/EU)

MAIN FEATURES

| Symbol | Value | Unit |
|-------------------|-------|------|
| V_{DRM}/V_{RRM} | 800 | V |
| $I_{T(RMS)}$ | 4 | A |



ABSOLUTE MAXIMUM RATINGS

| Parameter | | Symbol | Value | Unit |
|---|--|--------------|-----------|------------------------|
| Storage junction temperature range | | T_{stg} | -40 - 150 | °C |
| Operating junction temperature range | | T_j | -40 - 125 | °C |
| Repetitive peak off-state voltage ($T_j=25^\circ\text{C}$) | | V_{DRM} | 800 | V |
| Repetitive peak reverse voltage ($T_j=25^\circ\text{C}$) | | V_{RRM} | 800 | V |
| RMS on-state current | TO-252-4R ($T_c=100^\circ\text{C}$) | $I_{T(RMS)}$ | 4 | A |
| Non repetitive surge peak on-state current (full cycle, $F=50\text{Hz}$) | | I_{TSM} | 40 | A |
| I^2t value for fusing ($t_p=10\text{ms}$) | | I^2t | 8 | A^2s |
| Critical rate of rise of on-state current ($I_G=2 \times I_{GT}$) | | di/dt | 50 | $\text{A}/\mu\text{s}$ |
| Peak gate current | | I_{GM} | 4 | A |
| Average gate power dissipation | | $P_{G(AV)}$ | 1 | W |
| Peak gate power | | P_{GM} | 5 | W |

ELECTRICAL CHARACTERISTICS ($T_j=25^{\circ}\text{C}$ unless otherwise specified)

| Symbol | Test Condition | Quadrant | | Value | Unit |
|----------|--|-------------|-----|-------|------------------|
| I_{GT} | $V_D=12\text{V } R_L=33\Omega$ | I - II -III | MAX | 35 | mA |
| V_{GT} | | I - II -III | MAX | 1.5 | V |
| V_{GD} | $V_D=V_{DRM} T_j=125^{\circ}\text{C}$ $R_L=3.3\text{K}\Omega$ | I - II -III | MIN | 0.2 | V |
| I_L | $I_G=1.2I_{GT}$ | I -III | MAX | 50 | mA |
| | | II | | 60 | |
| I_H | $I_T=100\text{mA}$ | | MAX | 35 | mA |
| dv/dt | $V_D=2/3V_{DRM}$ Gate Open $T_j=125^{\circ}\text{C}$ | | MIN | 400 | V/ μs |

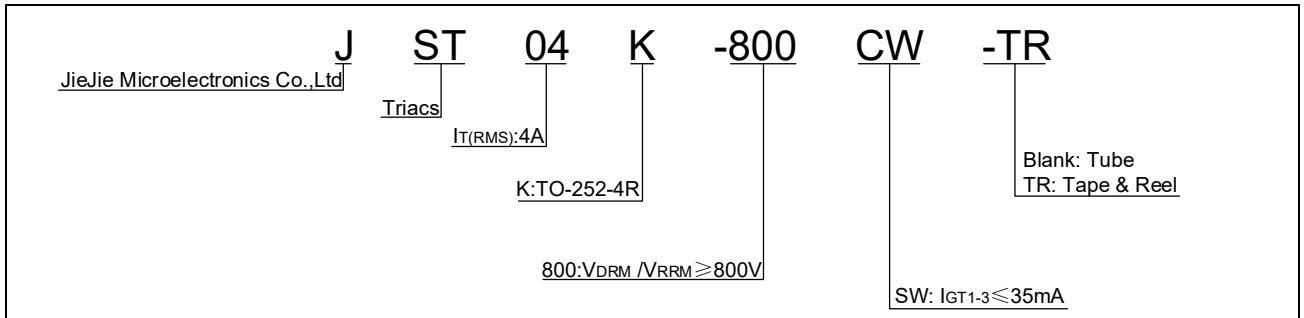
STATIC CHARACTERISTICS

| Symbol | Parameter | | Value(MAX) | Unit |
|-----------|--|---------------------------|------------|---------------|
| V_{TM} | $I_{TM}=5.5\text{A } t_p=380\mu\text{s}$ | $T_j=25^{\circ}\text{C}$ | 1.5 | V |
| V_{TO} | Threshold voltage | $T_j=125^{\circ}\text{C}$ | 0.93 | V |
| R_d | Dynamic resistance | $T_j=125^{\circ}\text{C}$ | 97 | m Ω |
| I_{DRM} | $V_D=V_{DRM} V_R=V_{RRM}$ | $T_j=25^{\circ}\text{C}$ | 10 | μA |
| I_{RRM} | | $T_j=125^{\circ}\text{C}$ | 0.75 | mA |

THERMAL RESISTANCES

| Symbol | Parameter | | Value | Unit |
|---------------|----------------------|-----------|-------|-----------------------------|
| $R_{th(j-c)}$ | junction to case(AC) | TO-252-4R | 2.8 | $^{\circ}\text{C}/\text{W}$ |
| $R_{th(j-a)}$ | junction to ambient | | 70 | |

ORDERING INFORMATION



MARKING

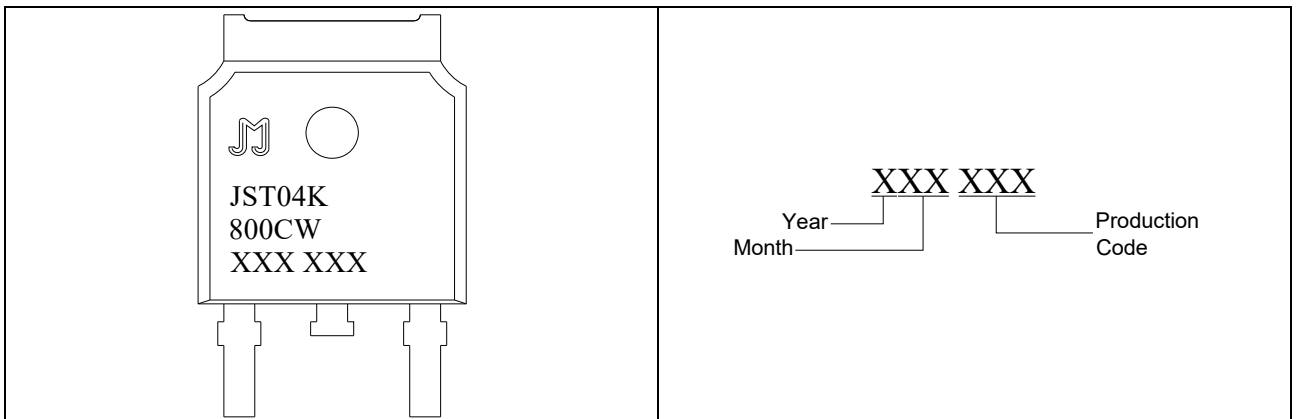


FIG.1: Maximum power dissipation versus RMS on-state current

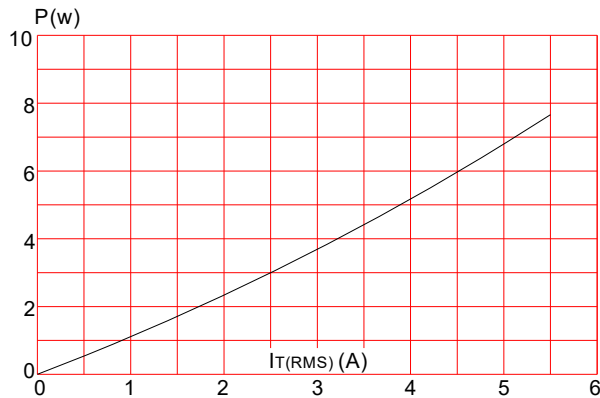


FIG.2: RMS on-state current versus ambient temperature (printed circuit board FR4, copper thickness:35μm)(full cycle)

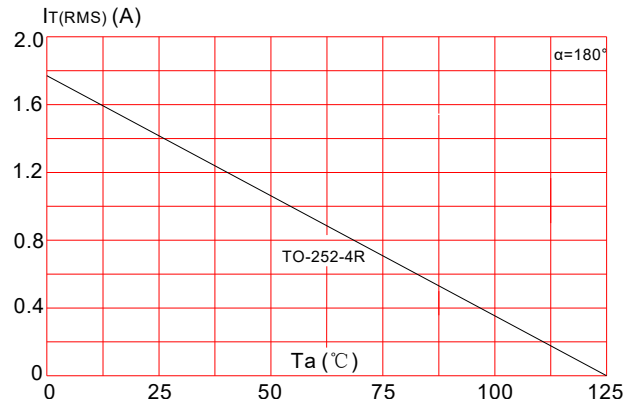


FIG.3: Surge peak on-state current versus number of cycles

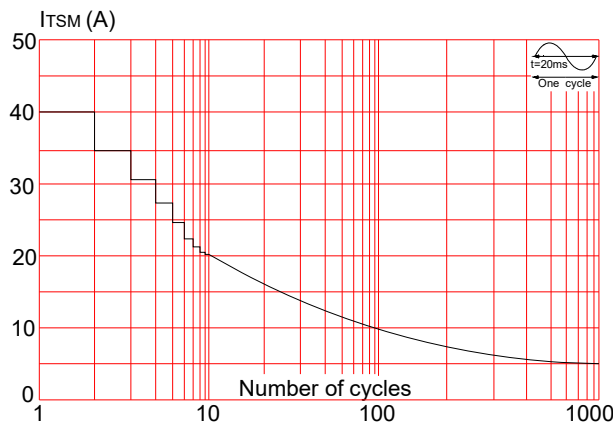


FIG.4: On-state characteristics (maximum values)

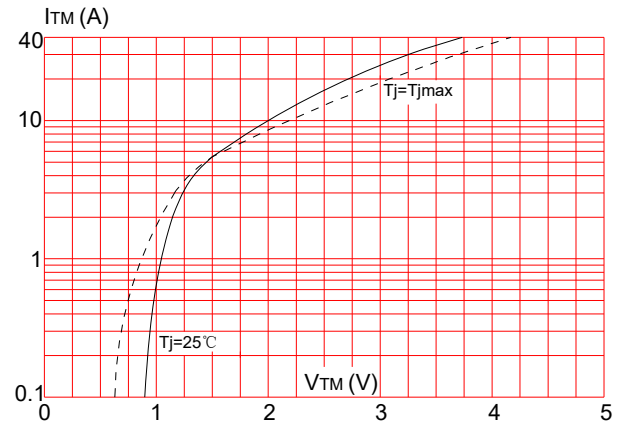


FIG.5: Non-repetitive surge peak on-state current for a sinusoidal pulse with width $t_p < 20\text{ms}$ and corresponding value of I^2t ($di/dt < 50\text{A}/\mu\text{s}$)

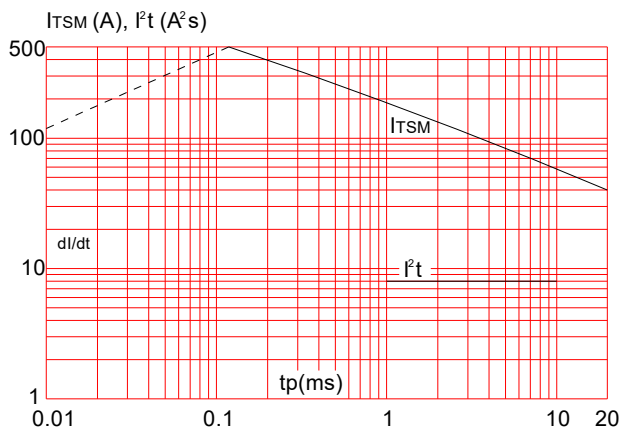
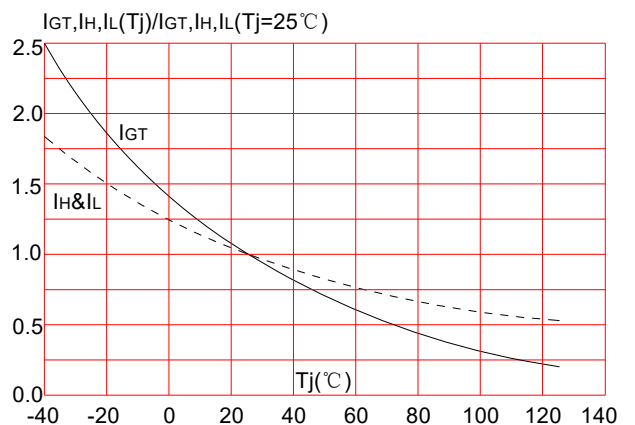
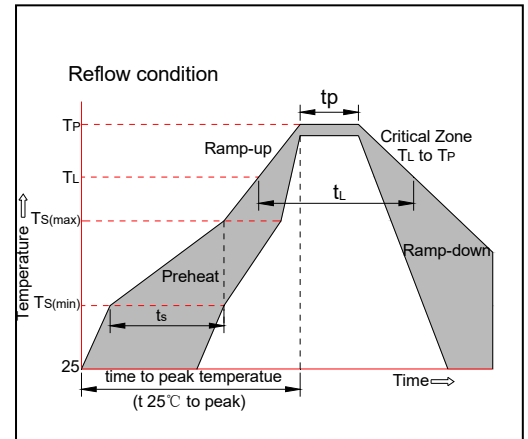


FIG.6: Relative variations of gate trigger current, holding current and latching current versus junction temperature



SOLDERING PARAMETERS

| | | |
|---|--------------------------------------|---|
| Reflow Condition | | Pb-Free assembly (see figure at right) |
| Pre Heat | -Temperature Min ($T_{s(min)}$) | +150°C |
| | -Temperature Max ($T_{s(max)}$) | +200°C |
| | -Time (Min to Max) (t_s) | 60-180 secs. |
| Average ramp up rate (Liquidus Temp (T_L) to peak) | | 3°C/sec. Max |
| $T_{s(max)}$ to T_L - Ramp-up Rate | | 3°C/sec. Max |
| Reflow | -Temperature(T_L) (Liquidus) | +217°C |
| | -Temperature(t_L) | 60-150 secs. |
| Peak Temp (T_p) | | +260(+0/-5)°C |
| Time within 5°C of actual Peak Temp (t_p) | | 20-40secs. |
| Ramp-down Rate | | 6°C/sec. Max |
| Time 25°C to Peak Temp (T_p) | | 8 min. Max |
| Do not exceed | | +260°C |



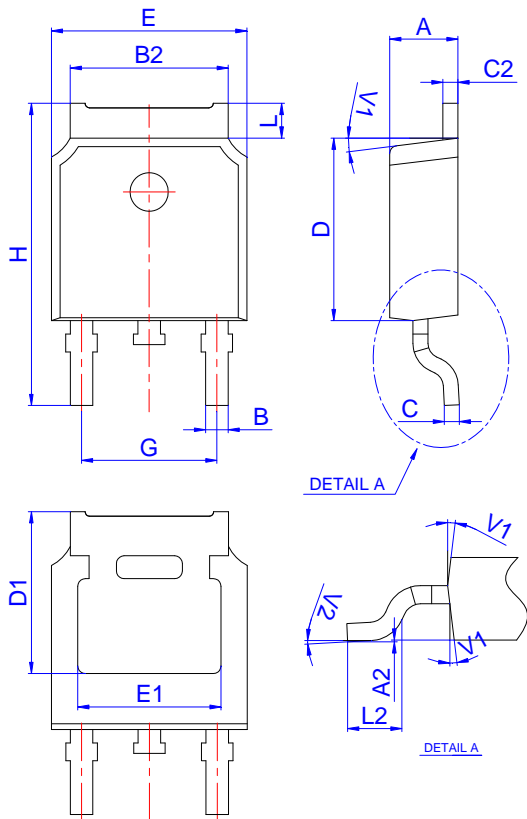
ORDERING INFORMATION

| Order code | Voltage V_{DRM}/V_{RRM} (V) | IGT(mA) | Package | Base qty. (pcs) | Delivery mode |
|--------------|----------------------------------|---------|-----------|--------------------|------------------|
| JST04K-800CW | 800 | 35 | TO-252-4R | 80 | Tube |
| | | | | 2,500 | Tape |

Document Revision History

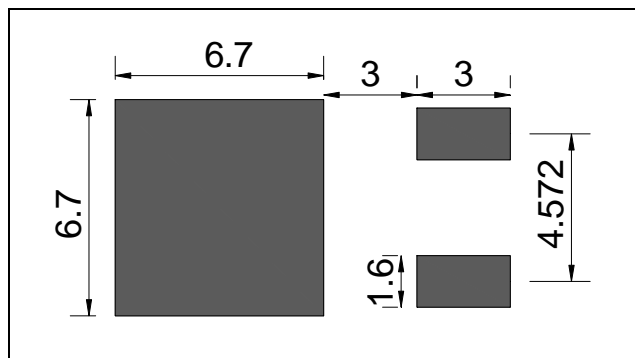
| Date | Revision | Changes |
|--------------|----------|-------------|
| Mar 17, 2022 | 1 | Last update |

PACKAGE MECHANICAL DATA

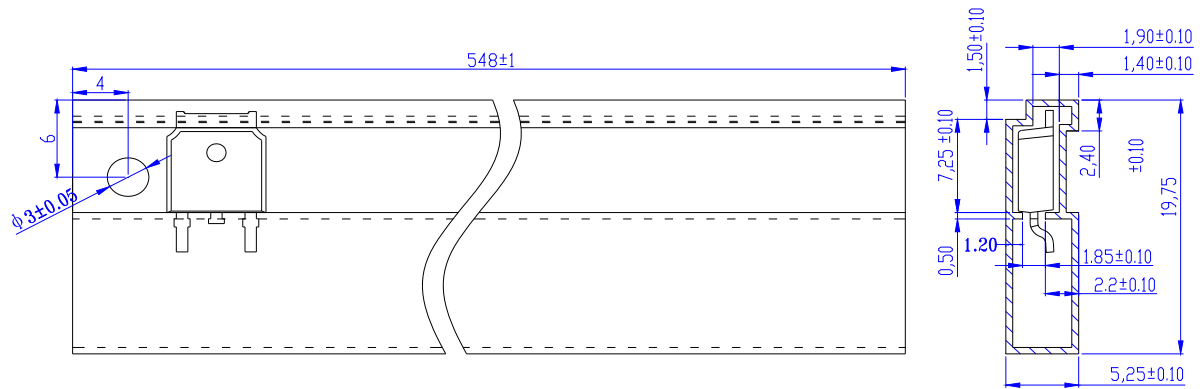


| Ref. | Dimensions | | | | | |
|------|-------------|------|-------|----------|------|-------|
| | Millimeters | | | Inches | | |
| | Min. | Typ. | Max. | Min. | Typ. | Max. |
| A | 2.10 | | 2.50 | 0.083 | | 0.098 |
| A2 | 0 | | 0.10 | 0 | | 0.004 |
| B | 0.66 | | 0.86 | 0.026 | | 0.034 |
| B2 | 5.18 | | 5.48 | 0.202 | | 0.216 |
| C | 0.40 | | 0.60 | 0.016 | | 0.024 |
| C2 | 0.44 | | 0.58 | 0.017 | | 0.023 |
| D | 5.90 | | 6.30 | 0.232 | | 0.248 |
| D1 | 5.30REF | | | 0.209REF | | |
| E | 6.40 | | 6.80 | 0.252 | | 0.268 |
| E1 | 4.63 | | | 0.182 | | |
| G | 4.47 | | 4.67 | 0.176 | | 0.184 |
| H | 9.50 | | 10.70 | 0.374 | | 0.421 |
| L | 1.09 | | 1.21 | 0.043 | | 0.048 |
| L2 | 1.35 | | 1.65 | 0.053 | | 0.065 |
| V1 | | 7° | | | 7° | |
| V2 | 0° | | 6° | 0° | | 6° |

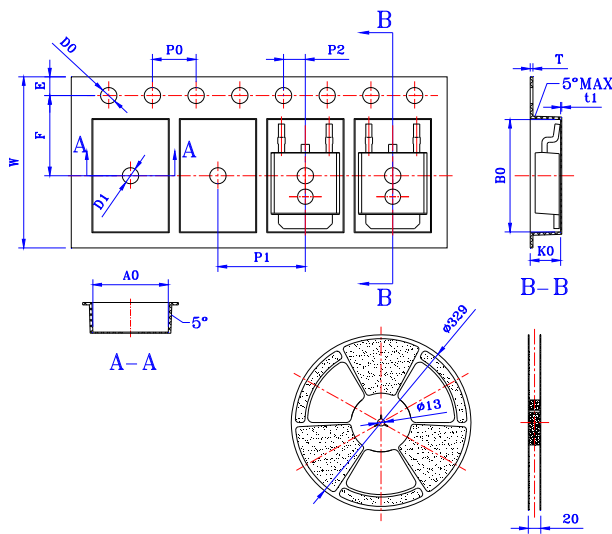
FOOTPRINT-TO-252-4R (dimensions in mm)



DELIVERY MODE



| PACKAGE | OUTLINE | TUBE (PCS) | INNER BOX (PCS) | PER CARTON |
|-----------|---------|------------|-----------------|------------|
| TO-252-4R | TUBE | 80 | 4,000 | 20,000 |




| Ref. | Dimensions | | | | | |
|------|-------------|-------|-------|--------|-------|-------|
| | Millimeters | | | Inches | | |
| | Min. | Typ. | Max. | Min. | Typ. | Max. |
| W | 15.90 | 16.00 | 16.10 | 0.626 | 0.630 | 0.634 |
| E | 1.65 | 1.75 | 1.85 | 0.065 | 0.069 | 0.073 |
| F | 7.40 | 7.50 | 7.60 | 0.291 | 0.295 | 0.299 |
| D0 | 1.40 | 1.50 | 1.60 | 0.055 | 0.059 | 0.063 |
| D1 | 1.40 | 1.50 | 1.60 | 0.055 | 0.059 | 0.063 |
| P0 | 3.90 | 4.00 | 4.10 | 0.154 | 0.157 | 0.161 |
| P1 | 7.90 | 8.00 | 8.10 | 0.311 | 0.315 | 0.319 |
| P2 | 1.90 | 2.00 | 2.10 | 0.075 | 0.079 | 0.083 |
| 10P0 | 39.80 | 40.00 | 40.20 | 1.567 | 1.575 | 1.583 |
| A0 | 6.85 | 6.90 | 7.00 | 0.270 | 0.272 | 0.276 |
| B0 | 10.45 | 10.50 | 10.60 | 0.411 | 0.413 | 0.417 |
| K0 | 2.68 | 2.78 | 2.88 | 0.106 | 0.109 | 0.113 |
| T | 0.24 | - | 0.27 | 0.009 | - | 0.011 |
| t1 | 0.10 | - | - | 0.004 | - | - |

| PACKAGE | OUTLINE | REEL (PCS) | PER CARTON (PCS) | TAPE & REEL |
|-----------|---------|------------|------------------|-------------|
| TO-252-4R | TAPING | 2,500 | 25,000 | 13 inch |



Information furnished in this document is believed to be accurate and reliable. However, Jiangsu JieJie Microelectronics Co.,Ltd assumes no responsibility for the consequences of use without consideration for such information nor use beyond it. Information mentioned in this document is subject to change without notice, apart from that when an agreement is signed, Jiangsu JieJie complies with the agreement. Products and information provided in this document have no infringement of patents. Jiangsu JieJie assumes no responsibility for any infringement of other rights of third parties which may result from the use of such products and information. This document supersedes and replaces all information previously supplied.

 is a registered trademark of Jiangsu JieJie Microelectronics Co.,Ltd.

Copyright ©2022 Jiangsu JieJie Microelectronics Co.,Ltd. Printed All rights reserved.

单击下面可查看定价，库存，交付和生命周期等信息

[>>JW\(捷捷微\)](#)