

Preliminary Specifications Subject to Change without Notice

DESCRIPTION

The JW[®]7115Sx/JW7111Sx is a single channel current-limited power switch optimized for Universal Serial Bus (USB) and other hot-swap applications. The rising and falling times are controlled to minimize current overshoot or undershoot during switches on/off.

The device has fast short-circuited response time for improved overall system robustness. It provides a complete protection solution, such as reverse current blocking and limit, over-current protection, over-temperature protection and short-circuit protection, as well as controlled rising time and under-voltage lockout function. A 7.5ms de-glitch time on the open-drain flag output prevents false over-current reporting.

JW7115Sx offers both SOT23-5 and TSOT23-5 packages. JW7111Sx offers both DFN2X2-6 and SOT23-6 packages.

Company's Logo is Protected, "JW" and "JOULWATT" are Registered Trademarks of JoulWatt technology Inc.

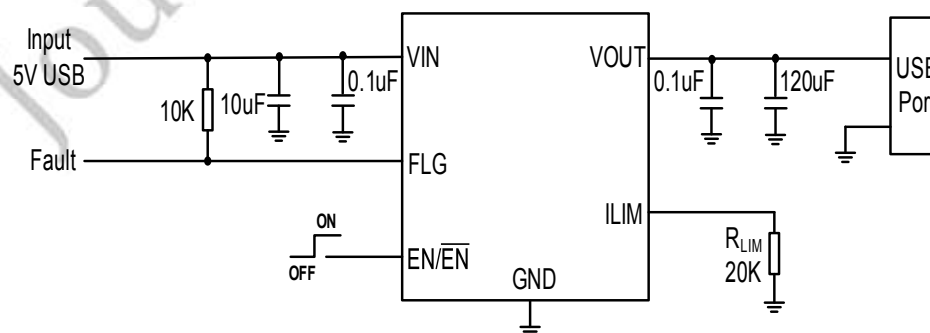
FEATURES

- Accurate current limit
- FLG: active low
- Reverse current blocking during shutdown and reverse current limit during enable
- Constant-current during over-current
- Fast short-circuit response time: 2 μ s (typ.)
- Operating range: 2.7V - 5.5V
- Over-current protection, short-circuit Protection and thermal protection
- Fault report (FAULT) with de-glitch time
- UL recognized, file number E497605
- IEC recognized, file number DK-83242-UL and DK-90295-UL
- ESD protection: 2kV HBM, 500V CDM
- Available in SOT23-5, TSOT23-5, SOT23-6 and DFN2X2-6 Packages

APPLICATIONS

- Set-Top Boxes
- LCD TVs & Monitors
- Residential Gateways
- Laptops, Desktops, Servers, e-books, Printers, Docking
- Stations, HUBs

TYPICAL APPLICATION



单击下面可查看定价，库存，交付和生命周期等信息

[>>JOULWATT\(杰华特\)](#)