

*Preliminary Specifications Subject to Change without Notice*

### DESCRIPTION

The JW<sup>®</sup>5121 is a current mode monolithic buck switching regulator. Operating with an input range of 4.5V~60V, the JW5121 delivers 2A of continuous output current with an integrated high side N-Channel MOSFET. At light loads, the regulator operates in low frequency to maintain high efficiency and low output ripple. Current mode control provides tight load transient response and cycle-by-cycle current limit.

The JW5121 guarantees robustness with short-circuit protection, thermal protection, current run-away protection, and input under voltage lockout.

The JW5121 is available in 8-pin ESOP and 10-pin EMSOP package, which provides a compact solution with minimal external components.

Company's Logo is Protected, "JW" and "JOULWATT" are Registered Trademarks of JoulWatt technology Inc.

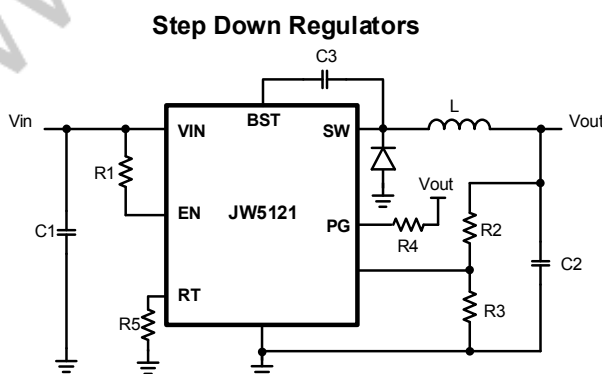
### FEATURES

- 4.5V to 60V operating input range
- 2A output current
- High efficiency at light load
- Internal soft-start (ESOP8)
- Adjustable soft-start (EMSOP10)
- Adjustable switching frequency
- Input under voltage lockout
- Current run-away protection
- Short circuit protection
- Thermal protection
- Available in ESOP8 and EMSOP10 package

### APPLICATIONS

- Distributed Power Systems
- Automotive Systems
- High Voltage Power Conversion
- Industrial Power Systems
- Battery Powered Systems

### TYPICAL APPLICATION



单击下面可查看定价，库存，交付和生命周期等信息

[>>JOULWATT\(杰华特\)](#)