

Parameters Subject to Change Without Notice

DESCRIPTION

The JW[®]3651 is a high performance buck boost converter that the output voltage can be programmed from 0.9V up to 20V through external resistor.

The JW3651 implements the Buck Boost converter with a single inductor architecture that operates from input voltages above, below or equal to the output voltage. And support 2-switch boost mode for higher efficiency.

The integrated low R_{ds(on)} MOSFET minimizes physical footprint, maximizes efficiency, which reduces the power dissipation. Constant current control is utilized to protect the device from overshooting in unwanted conditions. Built-in loop compensation simplifies the circuit and design.

JW3651 guarantees robustness with under voltage lockout, short circuit protection and thermal protection.

Company's Logo is Protected, "JW" and "JOULWATT" are Registered Trademarks of JoulWatt technology Inc.

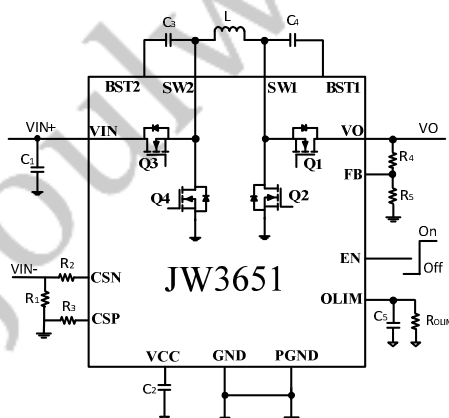
FEATURES

- Integrate low R_{DS} (on) power MOSFET
- Wide V_{IN} range: 3.0V-21V
- Wide V_O range: 0.9V-20V
- Compatible with 4-switch buck-boost mode and 2-switch boost mode.
- Fixed frequency 450kHz
- Programmable input and output current limit
- Output constant current control.
- Quiescent current: <60uA
- Integrate output short protection
- Integrate thermal protection
- QFN3*4 package

APPLICATIONS

- Power bank systems
- USB power delivery
- Industrial applications
- Automotive systems

TYPICAL APPLICATION



单击下面可查看定价，库存，交付和生命周期等信息

[>>JOULWATT\(杰华特\)](#)