

Preliminary Specifications Subject to Change without Notice

DESCRIPTION

The JW[®]7222 is positive hot swap controller that allows a board to be safely inserted and removed from a live backplane or other hot power sources. JW7222 offers inrush current control to protect MOSFET against system voltage droop and transients. The function of power limit protection allows better utilization of the external MOSFET's SOA. An external capacitor connected from TMR to GND establishes the timeout period to declare a fault condition and Gate is turned off when timeout. The POWER GOOD keeping high declares MOSFET is turned on. The under voltage threshold can be programmed via external resistor dividers. JW7222 is available in a 10-pin MSOP package.

FEATURES

- Wide operating range: 2.5 V to 18 V
- Inrush current limit for safe board insertion into live power sources

Company's Logo is Protected, "JW" and "JOULWATT" are Registered

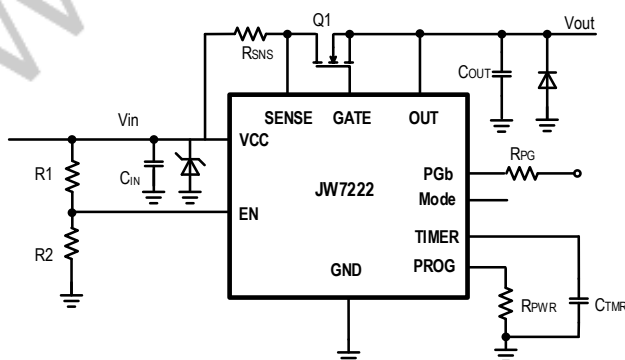
Trademarks of JoulWatt technology Inc.

- Programmable maximum power dissipation in the external pass device
- Accurate 26.5mV current-sense threshold
- Power good: active low
- Circuit breaker function for severe overcurrent events
- Internal high side charge pump and gate driver for external N-channel MOSFET
- Adjustable under-voltage lockout (UVLO) and hysteresis
- Drop-In upgrade for LTC4211/TPS24711-no layout
- 10-Pin MSOP package

APPLICATIONS

- Server Backplane Systems
- Storage Area Networks
- Plug-In Modules
- Medical Systems
- Base Stations

TYPICAL APPLICATION



单击下面可查看定价，库存，交付和生命周期等信息

[>>JOULWATT\(杰华特\)](#)