

*Preliminary Specifications Subject to Change without Notice*

## DESCRIPTION

The JW<sup>®</sup>5071 is a current mode monolithic buck voltage converter. Operating with an input range of 4.5V-28V, the JW5071 delivers 2A of continuous output current with two integrated N-Channel MOSFETs. At light loads, regulators operate in low frequency to maintain high efficiency.

The JW5071 guarantees robustness with short circuit protection, thermal protection, current run-away protection, and input under voltage lockout.

The JW5071 is available in a 6-pin SOT23-6 package, which provides a compact solution with minimal external components.

Company's Logo is Protected, "JW" and "JOULWATT" are Registered Trademarks of JoulWatt technology Inc.

## FEATURES

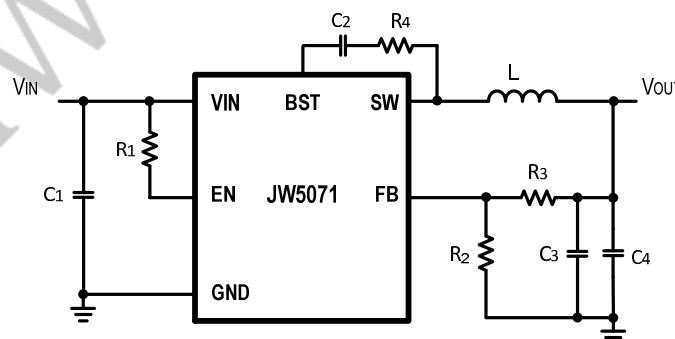
- 4.5V to 28V operating input range
- 2A output current
- Up to 93% efficiency
- High efficiency at light load
- 600kHz switching frequency
- Input under voltage lockout
- Start-up current run-away protection
- Over current protection and hiccup
- Thermal protection
- Available in SOT23-6 package

## APPLICATIONS

- Distributed Power Systems
- Networking Systems
- FPGA, DSP, ASIC Power Supplies
- Green Electronics/ Appliances
- Notebook Computers

## TYPICAL APPLICATION

### 2A Step Down Regulator



单击下面可查看定价，库存，交付和生命周期等信息

[>>JOULWATT\(杰华特\)](#)