

Preliminary Specifications Subject to Change without Notice

DESCRIPTION

The JW[®]5056 and JW[®]5056F are monolithic buck switching regulators based on I2 architecture for fast transient response. Operating with an input range of 4.5V~18V, JW5056 and JW5056F deliver 5A of continuous output current with two integrated N-Channel MOSFETs. The internal synchronous power switches provide high efficiency without the use of an external Schottky diode.

JW5056 and JW5056F guarantees robustness with output short protection, thermal protection, current run-away protection, and input under voltage lockout.

JW5056 and JW5056F are available in TSOT23-6 package, which provide a compact solution with minimal external components.

Company's Logo is Protected, "JW" and "JOULWATT" are Registered Trademarks of JoulWatt technology Inc.

FEATURES

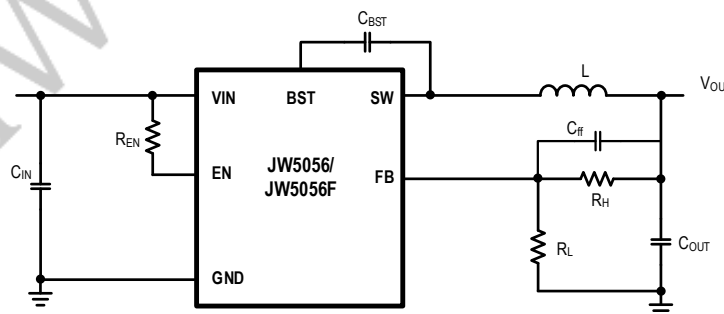
- 4.5V to 18V operating input range
- 5A output current
- 560kHz switching frequency
- 1% feedback voltage accuracy
- Internal soft-start
- PFM operation at light load (JW5056)
- FCCM operation at light load (JW5056F)
- Output short protection
- Thermal protection
- Available in TSOT23-6 package

APPLICATIONS

- Distributed Power Systems
- Networking Systems
- FPGA, DSP, ASIC Power Supplies
- Green Electronics/ Appliances
- Notebook Computer

TYPICAL APPLICATION

18V/5A Step Down Regulator



单击下面可查看定价，库存，交付和生命周期等信息

[>>JOULWATT\(杰华特\)](#)