

Parameters Subject to Change Without Notice

DESCRIPTION

The JW[®]5068A is a monolithic buck switching regulator based on I2 architecture for fast transient response. Operating with an input range of 4V~23V, JW5068A delivers 8A of continuous output current with two integrated N-Channel MOSFETs. The internal synchronous power switches provide high efficiency without the use of an external Schottky diode. At light loads, the regulator operates in low frequency to maintain high efficiency and low output ripples.

JW5068A guarantees robustness with output short protection, thermal protection, current run-away protection, and input under voltage lockout.

JW5068A is available in QFN3X3-20 package, which provide a compact solution with minimal external components.

Company's Logo is Protected, "JW" and "JOULWATT" are Registered Trademarks of JoulWatt technology Inc.

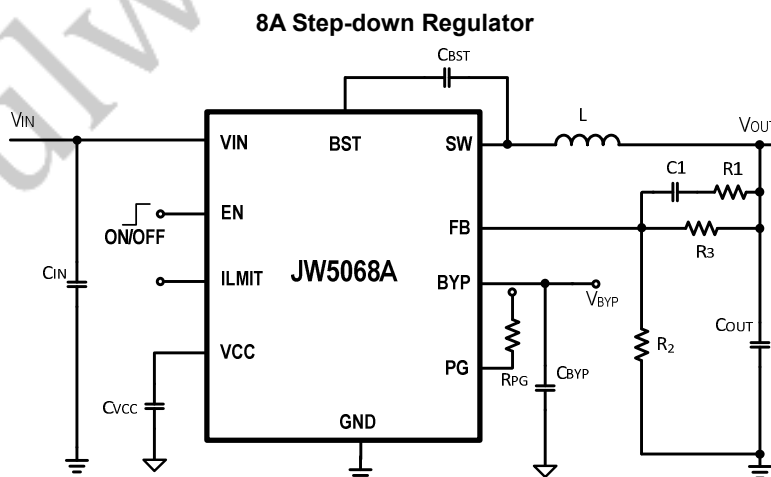
FEATURES

- 4V to 23V operating input range
- 8A continuous / 16A peak output current
- Up to 95% efficiency
- High efficiency at light load
- 500kHz switching frequency
- External bypass input
- Programmable valley current limit
- Power good indicator
- Input under voltage lockout
- Output discharge function
- Output Over Voltage latch off protection
- Output short protection
- Thermal protection
- RoHS Compliant and Halogen Free
- Available in QFN3X3-20 package

APPLICATIONS

- Industrial and commercial low power system
- Notebook
- LDO monitors and TVs
- Green Electronics/ Appliances

TYPICAL APPLICATION



单击下面可查看定价，库存，交付和生命周期等信息

[>>JOULWATT\(杰华特\)](#)