



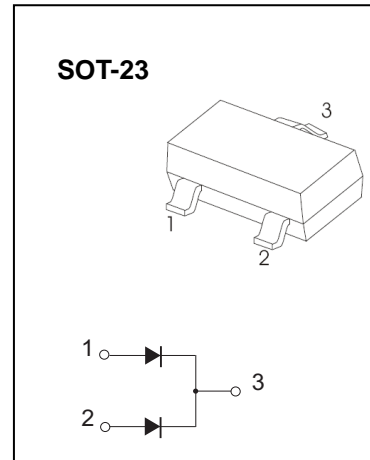
SOT-23 Plastic-Encapsulate Diodes

1SS184 Switching Diode

FEATURES

- Low forward voltage
- Fast reverse recovery time

MARKING: B3



Maximum Ratings @Ta=25°C

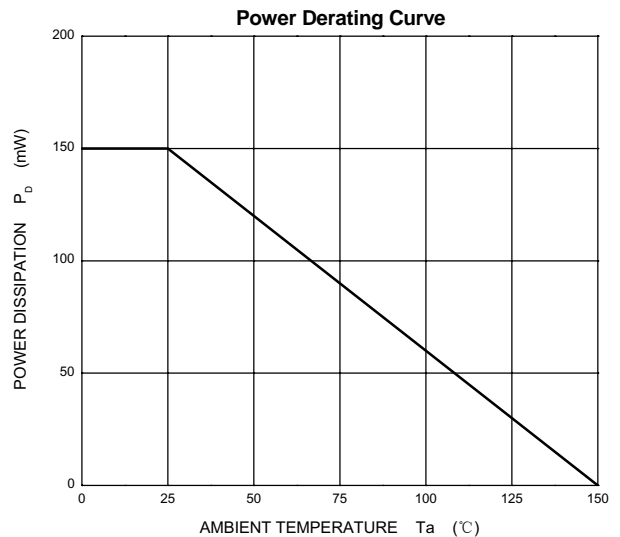
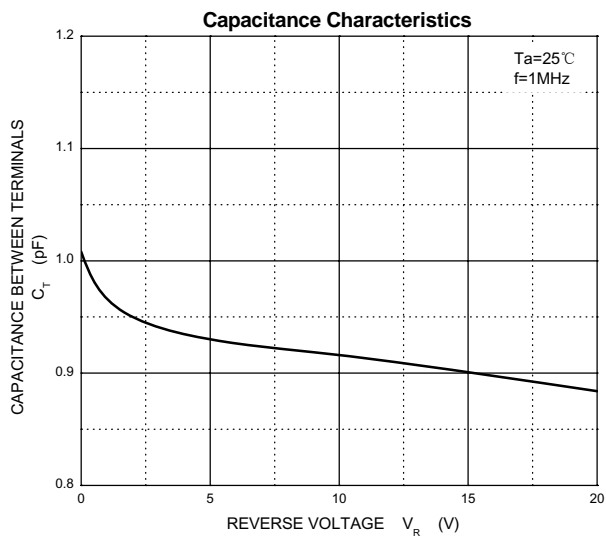
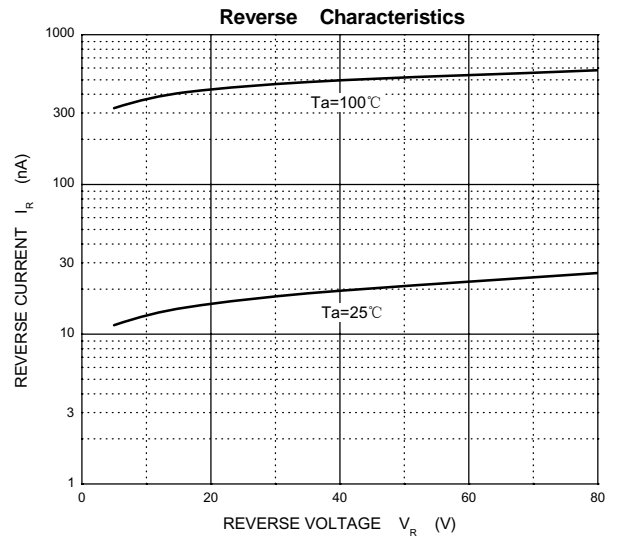
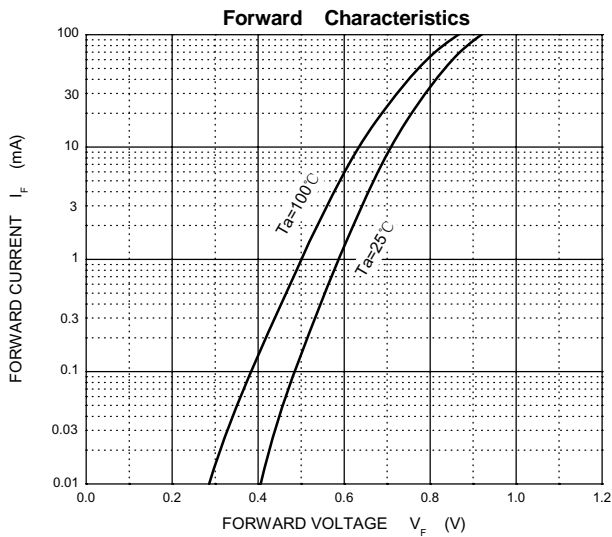
| Parameter | Symbol | Limit | Unit |
|-------------------------------------|-----------|----------|------|
| Non-Repetitive Peak Reverse Voltage | V_{RM} | 85 | V |
| DC Blocking Voltage | V_R | 80 | V |
| Forward Continuous Current | I_{FM} | 300 | mA |
| Average Rectified Output Current | I_O | 100 | mA |
| Power Dissipation | P_D | 150 | mW |
| Junction Temperature | T_J | 150 | °C |
| Storage Temperature Range | T_{STG} | -55~+150 | °C |

Electrical Characteristics @Ta=25°C

| Parameter | Symbol | Min | Typ | Max | Unit | Conditions |
|-------------------------------|------------|-----|------|-----|------|---------------------------------------|
| Reverse breakdown voltage | $V_{(BR)}$ | 80 | | | V | $I_R=100\mu A$ |
| Forward voltage | V_{F1} | | 0.60 | | V | $I_F=1mA$ |
| | V_{F2} | | 0.72 | | V | $I_F=10mA$ |
| | V_{F3} | | 0.9 | 1.2 | V | $I_F=100mA$ |
| Reverse current | I_{R1} | | | 0.1 | uA | $V_R=30V$ |
| | I_{R2} | | | 0.5 | uA | $V_R=80V$ |
| Capacitance between terminals | C_T | | 0.9 | 3.0 | pF | $V_R=0, f=1MHz$ |
| Reverse recovery time | t_{rr} | | 1.6 | 4.0 | ns | $I_F=I_R=10mA, I_{rr}=0.1 \times I_R$ |

Typical Characteristics

1SS184



单击下面可查看定价，库存，交付和生命周期等信息

[>>JSCJ](#)